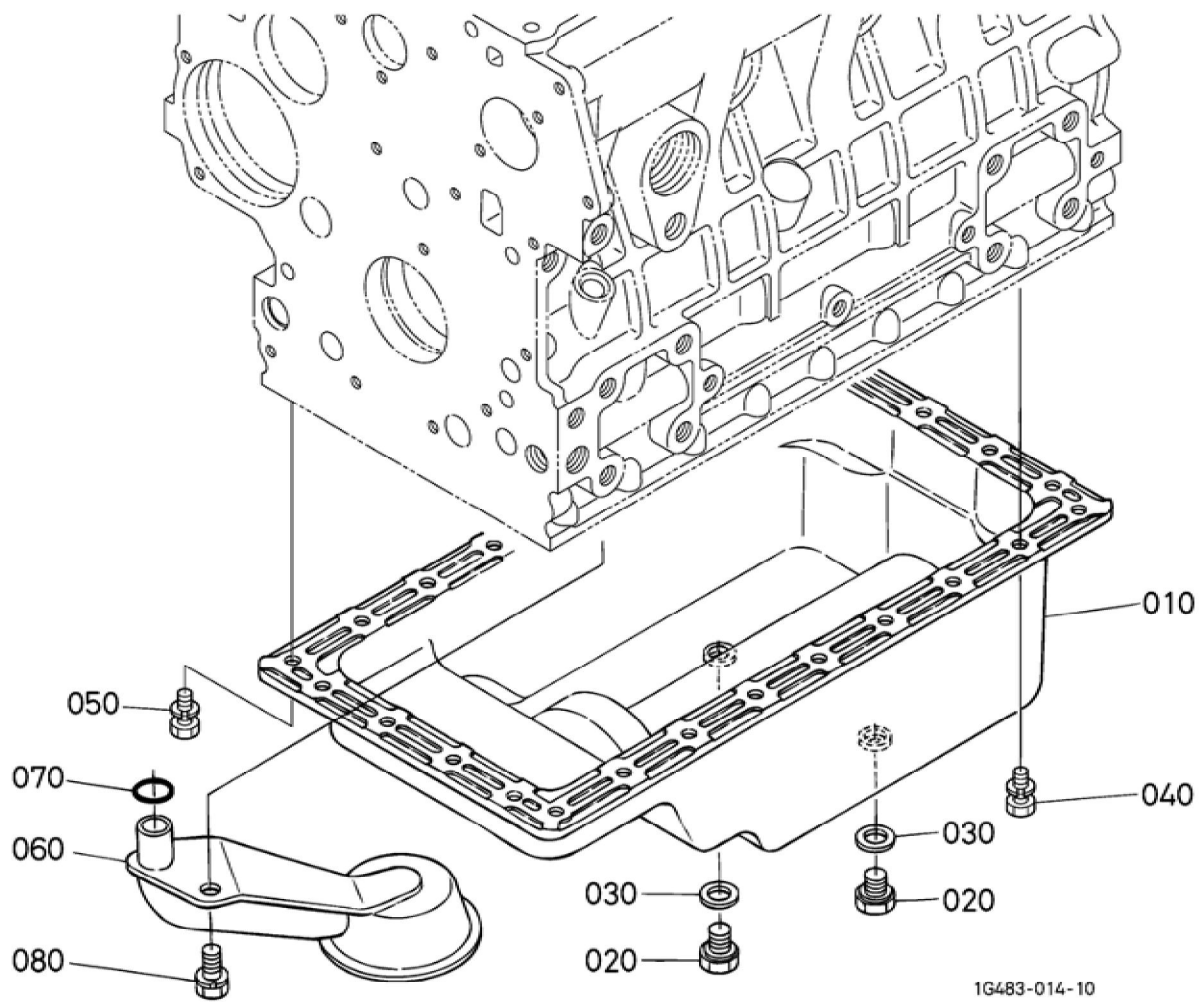


BKIDK5056 >> B3150HDB-C >> MOTOR / ENGINE >> 200100 KURBELGHAEUSE / CRANKCASE

Update Date : 09-10-2019 Print Date : 11-02-2022

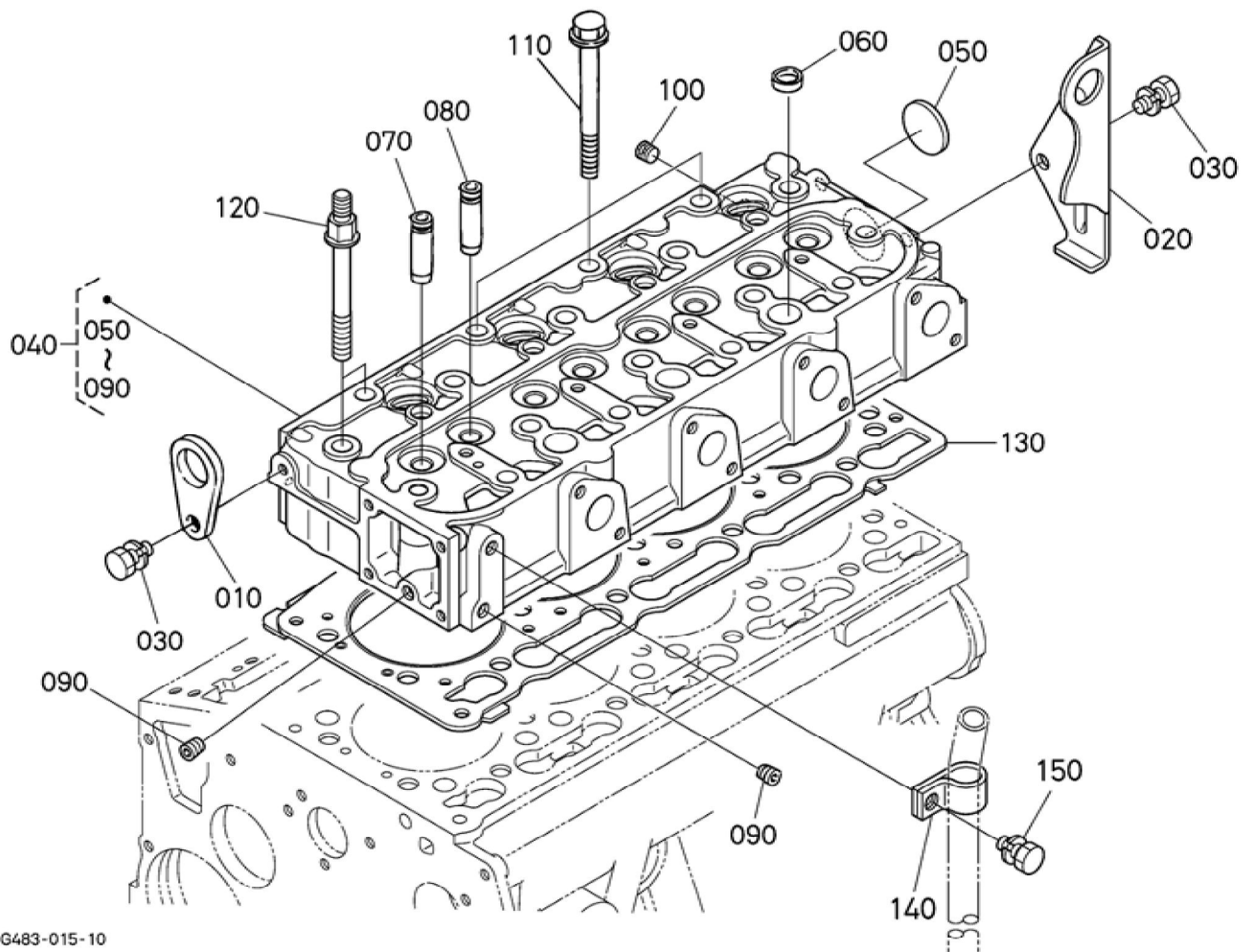
| No. | Part Number | Part Name (POL) | Part Name (ENG) | QTY | IC | Serial No./PIN | Kg | Remarks |
|-----|-------------|----------------------|-------------------------|-----|----|----------------|--------|---------|
| 010 | 1G093-01013 | KOMP.KURBELGEHAEUSE | COMP.CRANKCASE | 1 | | | 46.000 | |
| 030 | 15221-03490 | STOPFEN | CAP,SEALING | 1 | | | 0.020 | |
| 040 | 15261-96010 | STOPFEN | PLUG | 4 | | | 0.002 | |
| 050 | 16683-96020 | STOPFEN | PLUG | 1 | | | 0.088 | |
| 060 | 16241-96010 | STOPFEN | PLUG | 3 | | | 0.007 | |
| 070 | 15521-96020 | STOPFEN | PLUG | 2 | | | 0.003 | |
| 080 | 17391-96160 | STOPFEN | PLUG,EXPANSION | 3 | | | 0.003 | |
| 090 | 16271-96160 | STOPFEN | PLUG,EXPANSION | 1 | | | 0.025 | |
| 100 | 05012-00508 | ZYLINDERSTIFT | PIN,STRAIGHT | 2 | | | 0.001 | |
| 110 | 05012-00814 | ZYLINDERSTIFT | PIN,STRAIGHT | 2 | | | 0.006 | |
| 120 | 05012-00610 | ZYLINDERSTIFT | PIN,STRAIGHT | 2 | | | 0.003 | |
| 130 | 15231-33960 | ROHRSTIFT | PIN,PIPE | 2 | | | 0.001 | |
| 140 | 16241-33650 | ROHRSTIFT | PIN,PIPE | 1 | | | 0.002 | |
| 150 | 16241-96262 | STOPFEN | PLUG,FUELCAMSHAFT | 1 | | | 0.007 | |
| 160 | 16221-56280 | STARTFEDERSTIFT | PIN,STARTSPRING | 1 | | | 0.005 | |
| 170 | 16251-24060 | WELLE KOMP. | COMPSHAFT,IDLE | 1 | | | 0.180 | |
| 180 | 15521-93610 | ANSCHLAGSCHRAUBE | SCREW,SET | 1 | | | 0.002 | |
| 190 | 16271-55350 | BUCHSE | BUSHING (GEAR,GOVERNOR) | 1 | | | 0.060 | |
| 200 | 1G896-33610 | BOLZEN | PLUG | 1 | | | 0.008 | |
| 210 | 15021-33660 | DICHTUNGSPLATTE | PACKING | 1 | | | 0.001 | |
| 220 | 16871-73020 | GRP.ABLASSHAHN | COCK,ASSY (DRAIN) | 1 | | | 0.034 | |
| 230 | 1G513-36550 | STOPFEN, OELMESSSTAB | PLUG,OIL GAUGE | 1 | | | 0.004 | |



BKIDK5056 >> B3150HDB-C >> MOTOR / ENGINE >> 200200 OEL WANNE / OIL PAN

Update Date : 09-10-2019 Print Date : 11-02-2022

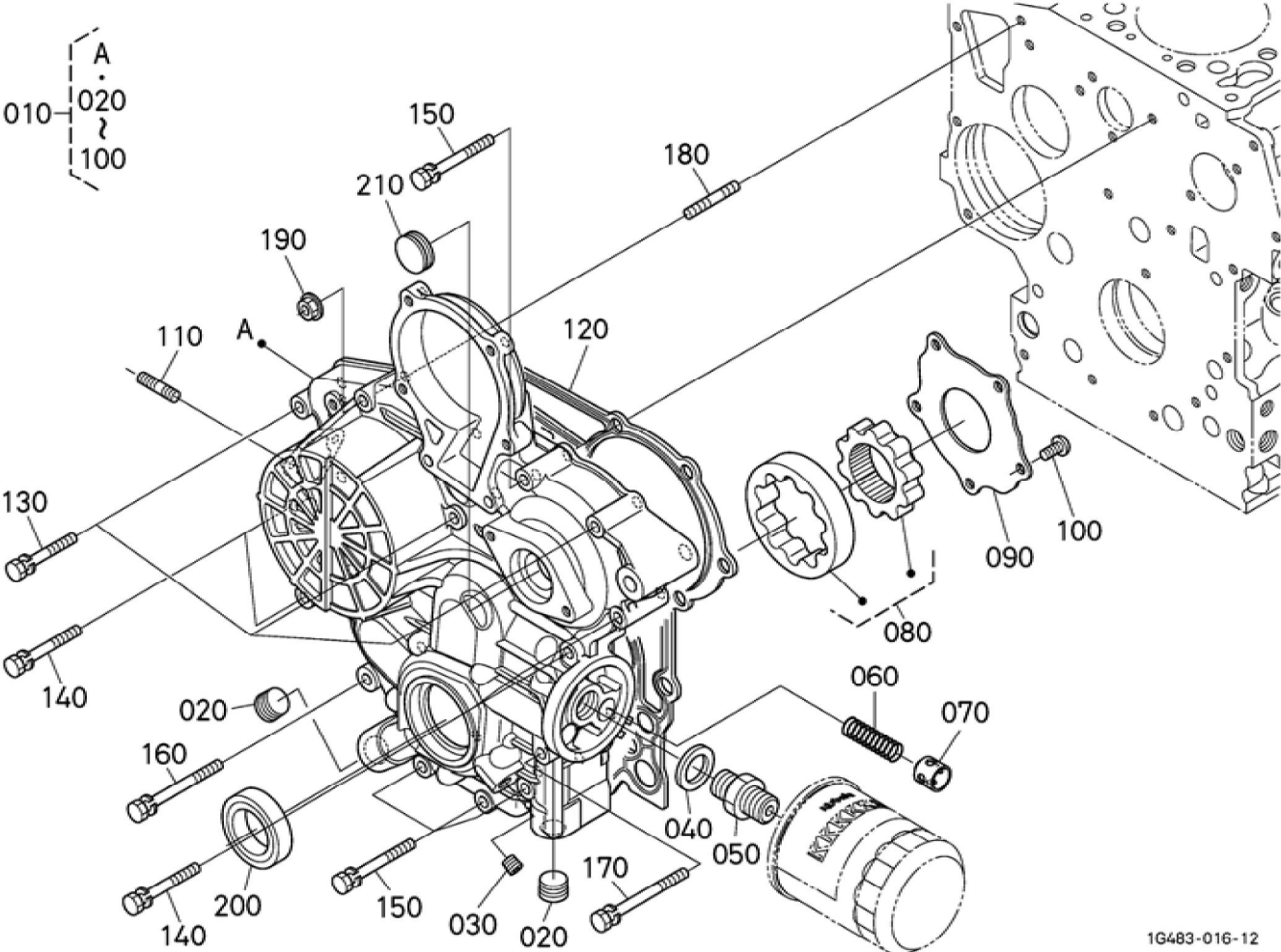
| No. | Part Number | Part Name (POL) | Part Name (ENG) | QTY | IC | Serial No./PIN | Kg | Remarks |
|-----|-------------|---------------------|-----------------|-----|----|----------------|-------|---------|
| 010 | 16271-01502 | KOMP.OELW ANNE | COMP.OIL PAN | 1 | | | 1.700 | |
| 020 | 16271-33750 | STOPFEN | PLUG | 2 | | | 0.034 | |
| 030 | 15471-96650 | DICHTUNGSP LATTE | PACKING | 2 | | | 0.002 | |
| 040 | 01023-50614 | BOLZEN | BOLT,SEMS | 24 | | | 0.005 | |
| 050 | 01023-50614 | BOLZEN | BOLT,SEMS | 2 | | | 0.005 | |
| 060 | 16271-32118 | OELFILTER | FILTER,OIL | 1 | | | 0.240 | |
| 070 | 04814-00160 | O RING | O RING | 1 | | | 0.001 | |
| 080 | 01123-50816 | BOLZEN | BOLT,SEMS | 1 | | | 0.011 | |



BKIDK5056 >> B3150HDB-C >> MOTOR / ENGINE >> 200300 ZYLINDERKOPF / CYLINDER HEAD

Update Date : 09-10-2019 Print Date : 11-02-2022

| No. | Part Number | Part Name (POL) | Part Name (ENG) | QTY | IC | Serial No./PIN | Kg | Remarks |
|-----|-------------|-------------------------------|--------------------------|-----|----|----------------|--------|---------|
| 010 | 15221-01750 | MOTORHAKE N | HOOK,ENGIN E | 1 | | | 0.040 | |
| 020 | 16241-01770 | MOTORHAKE N | HOOK,ENGIN E | 1 | | | 0.175 | |
| 030 | 01123-50814 | BOLZEN | BOLT,SEMS | 2 | | | 0.010 | |
| 040 | 1G871-03040 | KOMP.ZYLIN DERKOPF | COMP.CYLIN DER HEAD | 1 | | | 11.800 | |
| 050 | 15321-96260 | KAPPE | CAP,SEALING | 1 | | | 0.014 | |
| 060 | 15261-03370 | STOEPSEL,A BDICHTUNG | CAP,SEALING | 3 | | | 0.005 | |
| 070 | 16261-13540 | EINLASSVEN TILFUEHRUN G | GUIDE,INLET VALVE | 4 | | | 0.020 | |
| 080 | 16261-13560 | AUSLASSVEN TILFUEHRUN G | GUIDE,EXHA UST VALVE | 4 | | | 0.019 | |
| 090 | 15261-96010 | STOPFEN | PLUG | 2 | | | 0.002 | |
| 100 | 15841-96020 | STOPFEN | PLUG | 1 | | | 0.020 | |
| 110 | 16241-03450 | ZYLINDERKO PFSCHRAUB E | BOLT,HEAD (CYLINDER) | 16 | | | 0.050 | |
| 120 | 1G879-03450 | ZYLINDERKO PFSCHRAUB E | BOLT,CYLIND ER HEAD | 2 | | | 0.075 | |
| 130 | 16394-03313 | ZYLINDERKO PFDICHTUNG | GASKET,CYLI NDER HEAD | 1 | | | 0.200 | |
| 140 | 52200-41160 | KABELKLEM ME | CLAMP,CORD | 1 | | | 0.010 | |
| 150 | 01123-50814 | BOLZEN | BOLT,SEMS | 1 | | | 0.010 | |





Download the full PDF manual instantly.

Our customer service e-mail:

aservicemanualpdf@yahoo.com