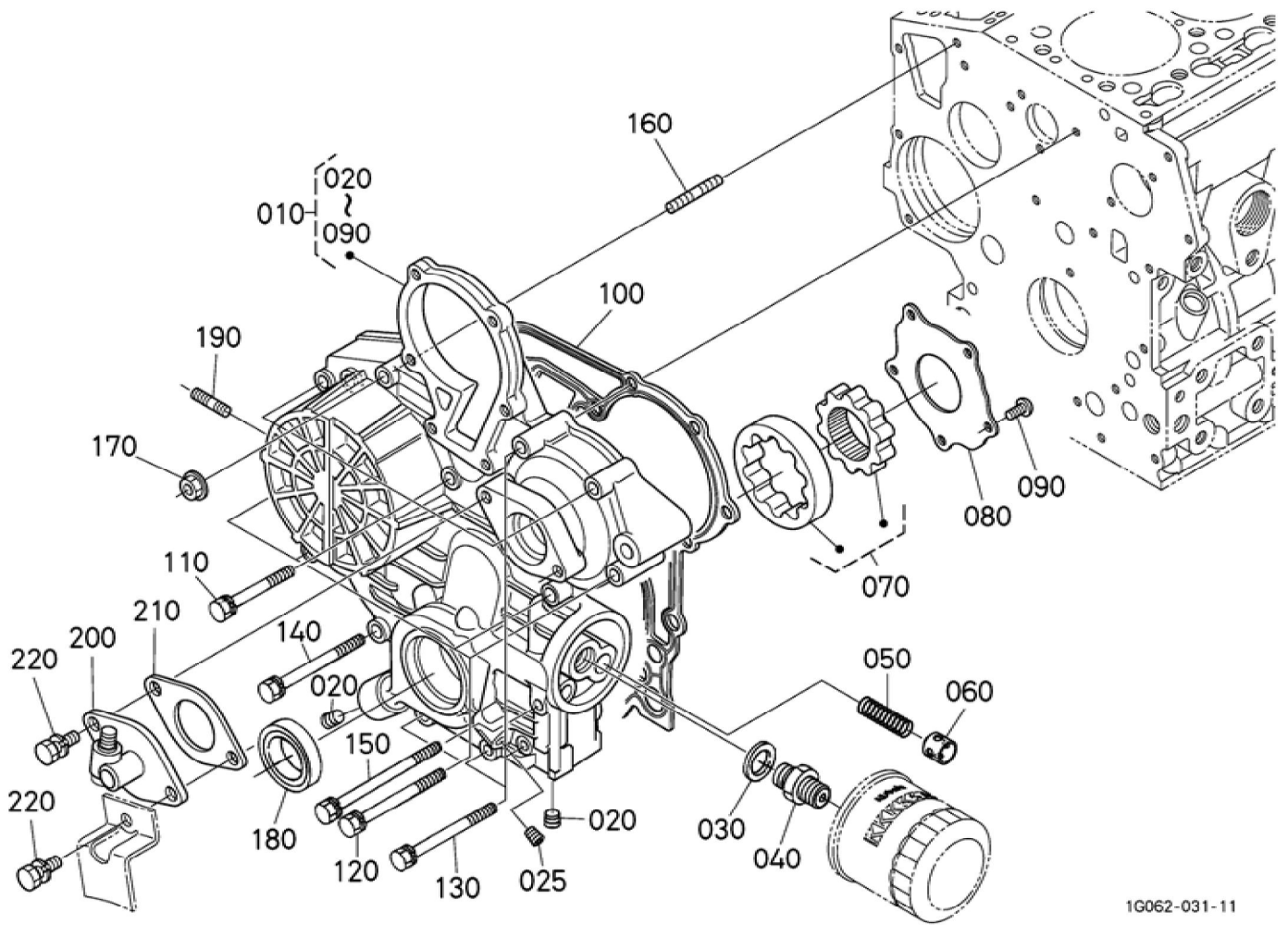


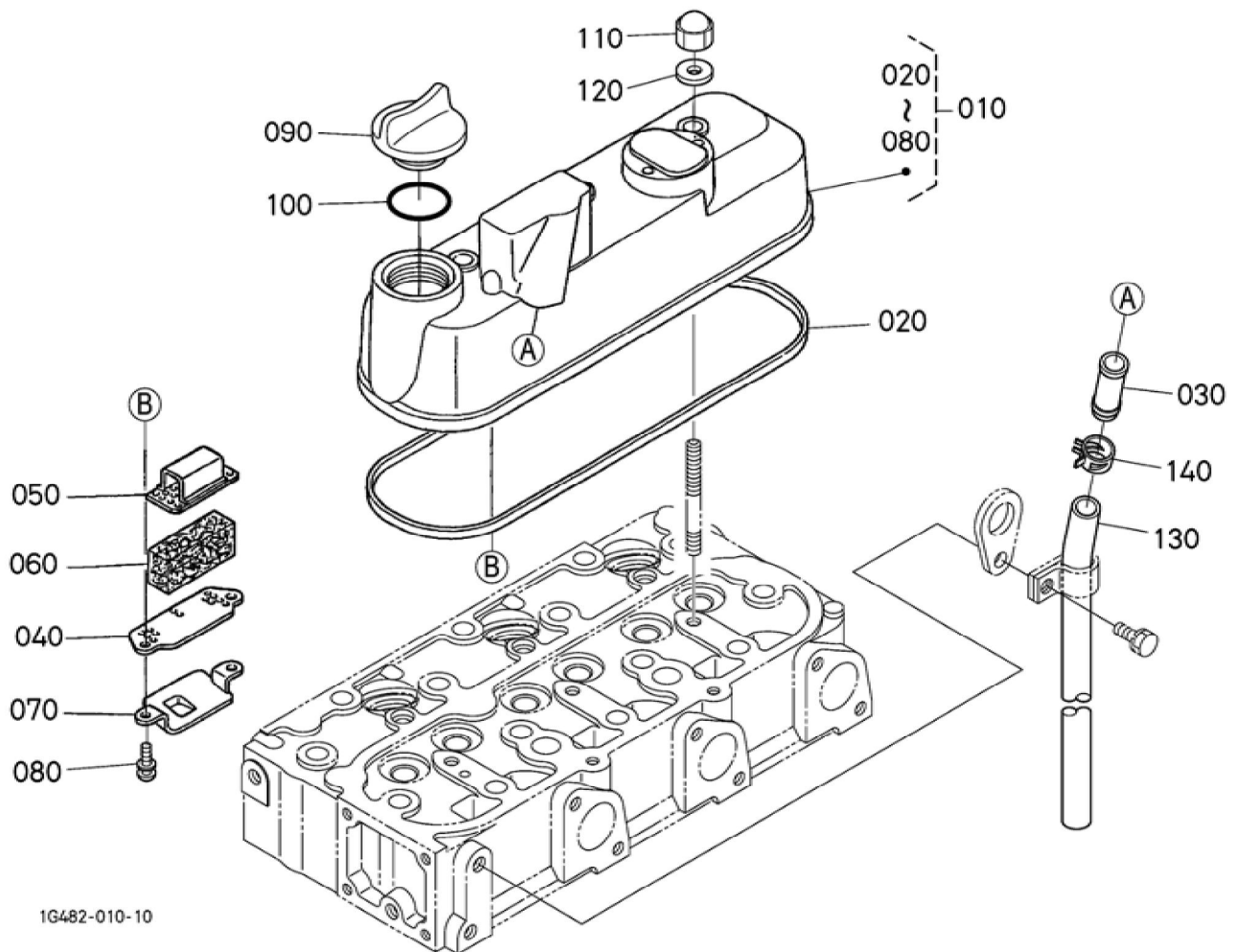
Update Date : 2020/03/04 Print Date : 2022/01/24



1G062-031-11

Update Date : 2020/03/04 Print Date : 2022/01/24

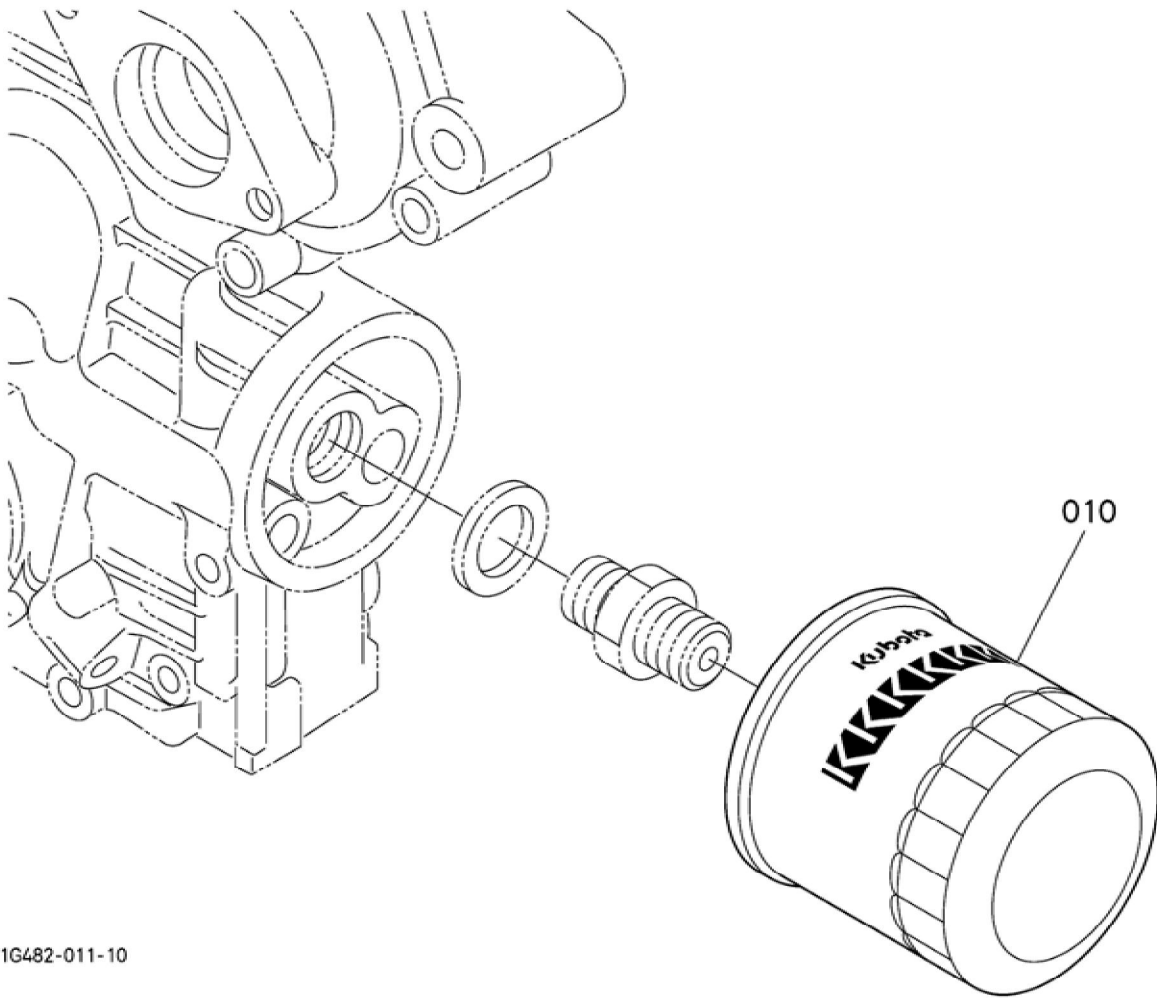
No.	Part Number	Part Name (POL)	Part Name (ENG)	QTY	IC	Serial No./PIN	Kg	Remarks
010	16252-04024	KMP.GETRIEBE GEHAEUSE	COMP.CASE, GEAR	1			2.460	
020	16241-96020	STOPFEN	PLUG	2			0.015	
025	15521-96020	STOPFEN	PLUG	1			0.003	
030	04011-50180	SCHEIBE	WASHER,PLAIN	1			0.012	
040	15241-32290	VERBINDUNG STUECK	JOINT,PIPE	1			0.053	
050	1J050-36950	FEDER	SPRING	1			0.004	
060	1J050-36930	UEBERLAUFV ENTIL	VALVE (RELIEF)	1			0.005	
070	1J050-35070	ROTOR KOMP.	ROTOR,ASSY (OIL PUMP)	1			0.244	
080	1J050-35132	DECKEL, OELPUMPE	COVER(OIL PUMP)	1			0.085	
090	03017-50614	SCHRAUBE	SCREW,BINDI NG(PHILLIPS)	5			0.005	
100	16264-04132	DICHTUNG	GASKET,GEA R CASE	1			0.010	
110	01023-50645	BOLZEN	BOLT,SEMS	3			0.010	
120	01023-50650	BOLZEN	BOLT,SEMS	4			0.012	
130	01023-50655	BOLZEN	BOLT,SEMS	4			0.012	
140	01023-50665	BOLZEN	BOLT,SEMS	1			0.015	
150	16241-91040	BOLZEN	BOLT	1			0.015	
160	16245-91530	STEBOLZEN	STUD	1			0.010	
170	02751-50060	MUTTER	NUT,FLANGE	1			0.005	
180	16241-04212	OELDICHTUN GSRING	SEAL,OIL	1			0.012	
190	16245-91540	STEBOLZEN	STUD	2			0.005	
200	58417-25950	GRP.GETRIEBE GEHAEUSE	ASSY GEAR CASE,H/M	1			0.290	
210	16264-88130	DICHTUNG	GASKET,H/M ETER UNIT	1			0.002	
220	01023-50618	BOLZEN	BOLT,SEMS	2			0.006	



BKIDK0597 >> B2230D >> MOTOR / ENGINE >> 000500 VENTILDECKEL / HEAD COVER

Update Date : 2020/03/04 Print Date : 2022/01/24

No.	Part Number	Part Name (POL)	Part Name (ENG)	QTY	IC	Serial No./PIN	Kg	Remarks
010	16261-14503	VENTILDECKEL	COVER,HEAD,ASSY (CYLINDER)	1		<=1DFZ999	0.780	
010	16261-14505	VENTILDECKEL	ASSY COVER,CYL. HEAD	1	>>	>=1DG0001	0.780	
020	16261-14520	VENTILDECKELDICHUNG	GASKET,HEAD COVER	1		<=1DFZ999	0.010	
020	16261-14524	VENTILDECKELDICHUNG	GASKET,HEAD COVER	1	>>	>=1DG0001	0.010	
030	16241-05550	VERBINDUNG	JOINT,BREATH ER PIPE	1			0.020	
040	16241-05140	PLATTE,ELEMENT	PLATE,B/THE R ELEMENT	1			0.005	
050	16241-05150	PLATTE,ELEMENT	PLATE,B/THE R ELEMENT	1			0.010	
060	16241-05670	ENTLUEFTUNGSELEMENT	ELEMENT (BREATH ER)	1			0.010	
070	16241-05370	OELSCHILD,ENTLUEFTER	OIL SHIELD,BREATH ER	1			0.010	
080	03024-50510	SCHRAUBE	SCREW,SEMS (PAN HEAD)	2			0.002	
090	E9151-33140	OELEINFUELLSTOPFEN	PLUG(OIL FILLER)	1			0.017	
100	04814-50300	O RING	O RING	1		<=9U5241	0.001	
100	1J001-96770	O RING	O RING	1	>>	>=9Y0001	0.001	
110	15952-92330	MUTTER	NUT,CAP	3			0.010	
120	15951-96660	DICHTUNGSPLATTE	PACKING	3			0.001	
130	16271-05510	ENTLUEFTUNGSRHR	PIPE,BREATH ER	1			0.060	
140	6A100-59220	SCHLAUCHBIENDER	CLAMP,HOSE	1			0.005	





Download the full PDF manual instantly.

Our customer service e-mail:

aservicemanualpdf@yahoo.com