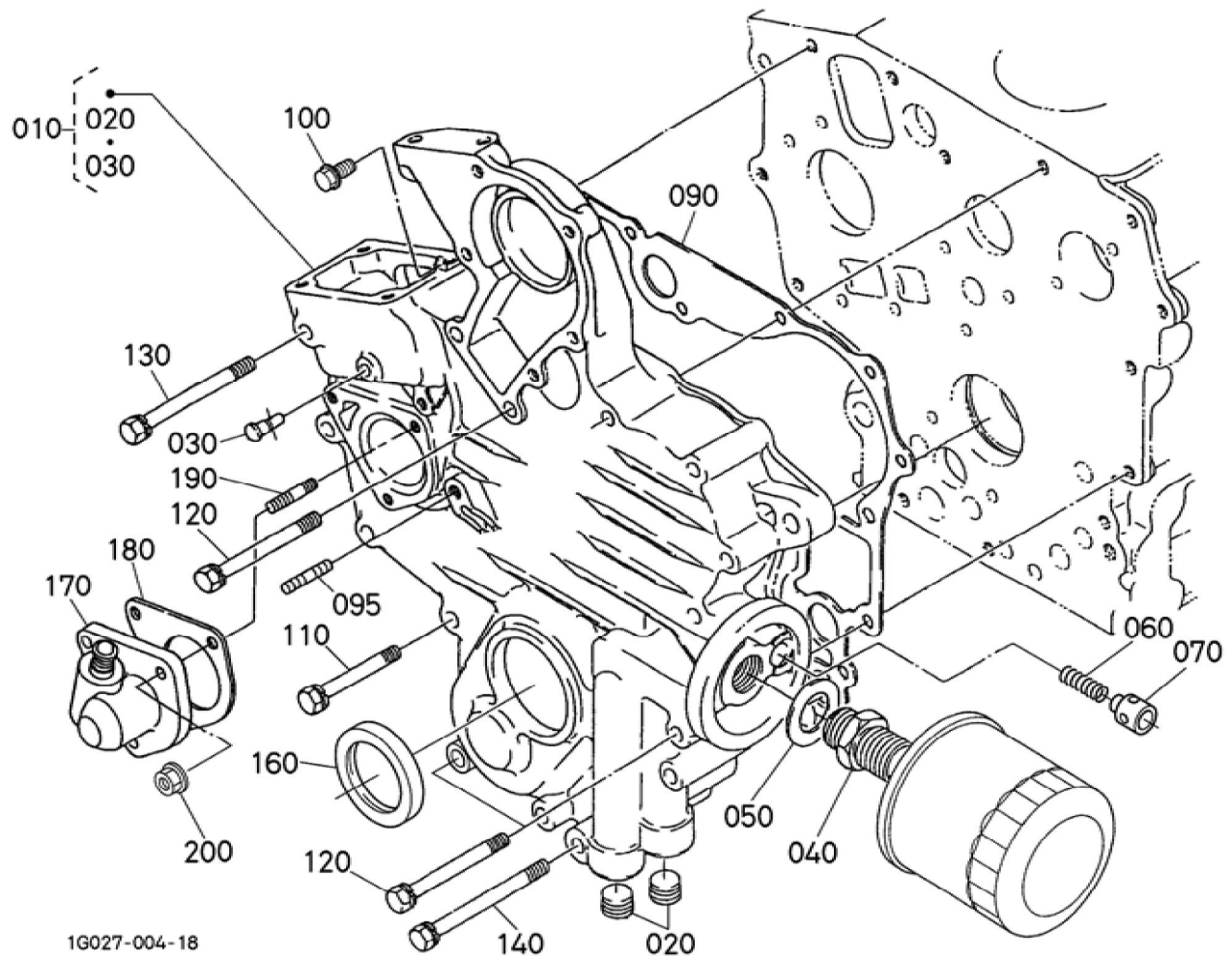


BKIDA5009 >> B1820DS >> MOTOR / ENGINE >> 000300 ZYLINDERKOPF / CYLINDER HEAD

Update Date : 2020/03/26 Print Date : 2022/01/21

No.	Part Number	Part Name (POL)	Part Name (ENG)	QTY	IC	Serial No./PIN	Kg	Remarks
010	15221-01750	MOTORHAKEN	HOOK,ENGINE	2			0.040	
020	01123-50816	SCHRAUBE	BOLT,SEMS	2			0.011	
030	1G969-03040	KOMP.ZYLINDERKOPF	HEAD,CYLINDER,COMP	1		<=9FZ999	7.100	
030	1G969-03046	KOMP.ZYLINDERKOPF	HEAD,CYLINDER,COMP	1	>>	>=9G0001	7.400	
030	1J093-03040	KOMP.ZYLINDERKOPF	HEAD,CYLINDER,COMP	1	NI	>=4CW0001	7.300	
040	15321-96260	KAPPE	CAP,SEALING	1			0.014	
050	15261-03370	STOEPSEL,ABDICHTUNG	CAP,SEALING	2			0.005	
060	15261-96010	STOPFEN	PLUG	1			0.002	
070	15841-13540	EINLASSVENTILFUEHRUNG	GUIDE,VALVE (INLET)	3			0.014	
080	15841-13560	AUSLASSVENTILFUEHRUNG	GUIDE (EXHAUST VALVE)	3			0.014	
100	14601-03450	ZYLINDERKOPFSCHRAUBE	BOLT,HEAD (CYLINDER)	14			0.035	
110	16871-03313	ZYLINDERKOPFDICHTUNG	GASKET (HEAD,CYL)	1		<=4CVZ999	0.083	
110	1J092-03310	ZYLINDERKOPFDICHTUNG	GASKET (CYL.HEAD)	1	>>	>=4CW0001	0.135	

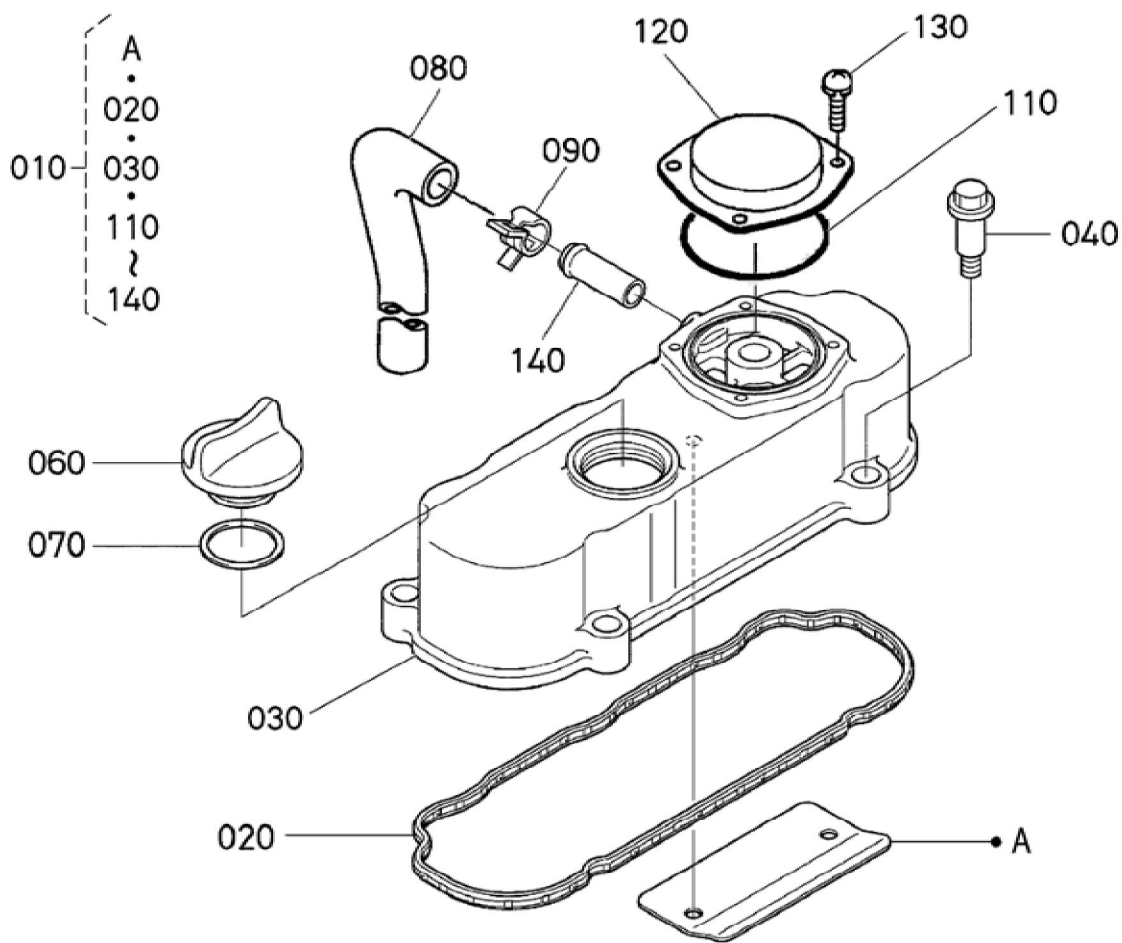


1G027-004-18

BKIDA5009 >> B1820DS >> MOTOR / ENGINE >> 000400 GETRIEBE GEHAEUSE / GEAR CASE

Update Date : 2020/03/26 Print Date : 2022/01/21

No.	Part Number	Part Name (POL)	Part Name (ENG)	QTY	IC	Serial No./PIN	Kg	Remarks
010	16808-04023	KMP.GETRIE BEGEHAEUS E	COMP.CASE, GEAR	1		<=4EFZ999	1.720	
010	16808-04024	KMP.GETRIE BEGEHAEUS E	COMP.CASE, GEAR	1	NI	>=4EG0001	1.720	
020	15521-96030	STOPFEN	PLUG	2			0.007	
030	15841-56280	STARTFEDER STIFT	PIN(START SPRING)	1			0.005	
040	15241-32290	VERBINDUNG SSTUECK	JOINT,PIPE	1			0.053	
050	15841-94010	SCHEIBE	WASHER,PLA IN	1			0.003	
060	16851-36950	FEDER	SPRING	1		<=4EFZ999	0.020	
060	1J092-36950	FEDER	SPRING	1	NI	>=4EG0001	0.004	
070	15841-36930	SITZ,VENTIL	SEAT,VALVE	1		<=4EFZ999	0.003	
070	1J050-36930	UEBERLAUFV ENTIL	VALVE (RELIEF)	1	NI	>=4EG0001	0.005	
090	16871-04130	DICHTUNG	GASKET,GEA R CASE	1			0.080	
095	15841-91510	STEBOLZEN	STUD	1			0.007	
100	01023-50618	BOLZEN	BOLT,SEMS	1		<=4CXZ999	0.006	
100	01754-50616	SCHRAUBE	BOLT,FLANG E	1	>>	>=4CY0001	0.006	
110	01023-50650	BOLZEN	BOLT,SEMS	8			0.012	
120	15841-91010	BOLZEN	BOLT	5			0.014	
130	01023-50670	BOLZEN	BOLT,SEMS	1			0.015	
140	01023-50675	BOLZEN	BOLT,SEMS	1			0.010	
160	15877-04140	OELDICHTUN GSRING	SEAL,OIL	1		<=4DPZ999	0.011	
160	1J094-04140	OELDICHTUN GSRING	SEAL,OIL	1	>>	>=4DQ0001	0.013	
170	59360-25950	GRP.GETRIE BEGEHAEUS E	ASSY GEAR CASE,H/M	1			0.290	
180	19461-88132	DICHTUNG	GASKET,H/M GEAR CASE	1			0.002	
190	15221-88210	STEBOLZEN	BOLT,STUD	3			0.005	
200	02751-50060	MUTTER	NUT,FLANGE	3			0.005	



BKIDA5009 >> B1820DS >> MOTOR / ENGINE >> 000500 VENTILDECKEL / HEAD COVER

Update Date : 2020/03/26 Print Date : 2022/01/21

No.	Part Number	Part Name (POL)	Part Name (ENG)	QTY	IC	Serial No./PIN	Kg	Remarks
010	1G827-14504	VENTILDECKEL	ASSY COVER,CYL. HEAD	1			0.600	
020	1G958-14520	VENTILDECKELDICHUNG	GASKET,HEAD COVER	1			0.009	
030	1G958-14512	VENTILDECKEL	COVER,CYL. HEAD	1			0.510	
040	1G911-91022	BOLZEN	BOLT	4			0.015	
060	E9151-33140	OELEINFUELLSTOPFEN	PLUG(OIL FILLER)	1			0.017	
070	04814-50300	O RING	O RING	1		<=9VZ999	0.001	
070	1J001-96770	O RING	O RING	1	>>	>=9W0001	0.001	
080	1G460-05510	ENTLUEFTUNGSROHR	TUBE,BREATHER	1			0.040	
090	09318-88125	SCHLAUCHSCHELLE	CLAMP,HOSE	1			0.001	
110	1A021-05430	O RING	O RING,BREATHER	1			0.001	
120	1G742-05120	ENTLUEFTERDECKEL	COVER,BREATHER	1			0.035	
130	03024-50510	SCHRAUBE	SCREW,SEMS(PAN HEAD)	4			0.002	
140	16241-73370	ROHR	PIPE,WATER RETURN	1			0.007	



Download the full PDF manual instantly.

Our customer service e-mail:

aservicemanualpdf@yahoo.com