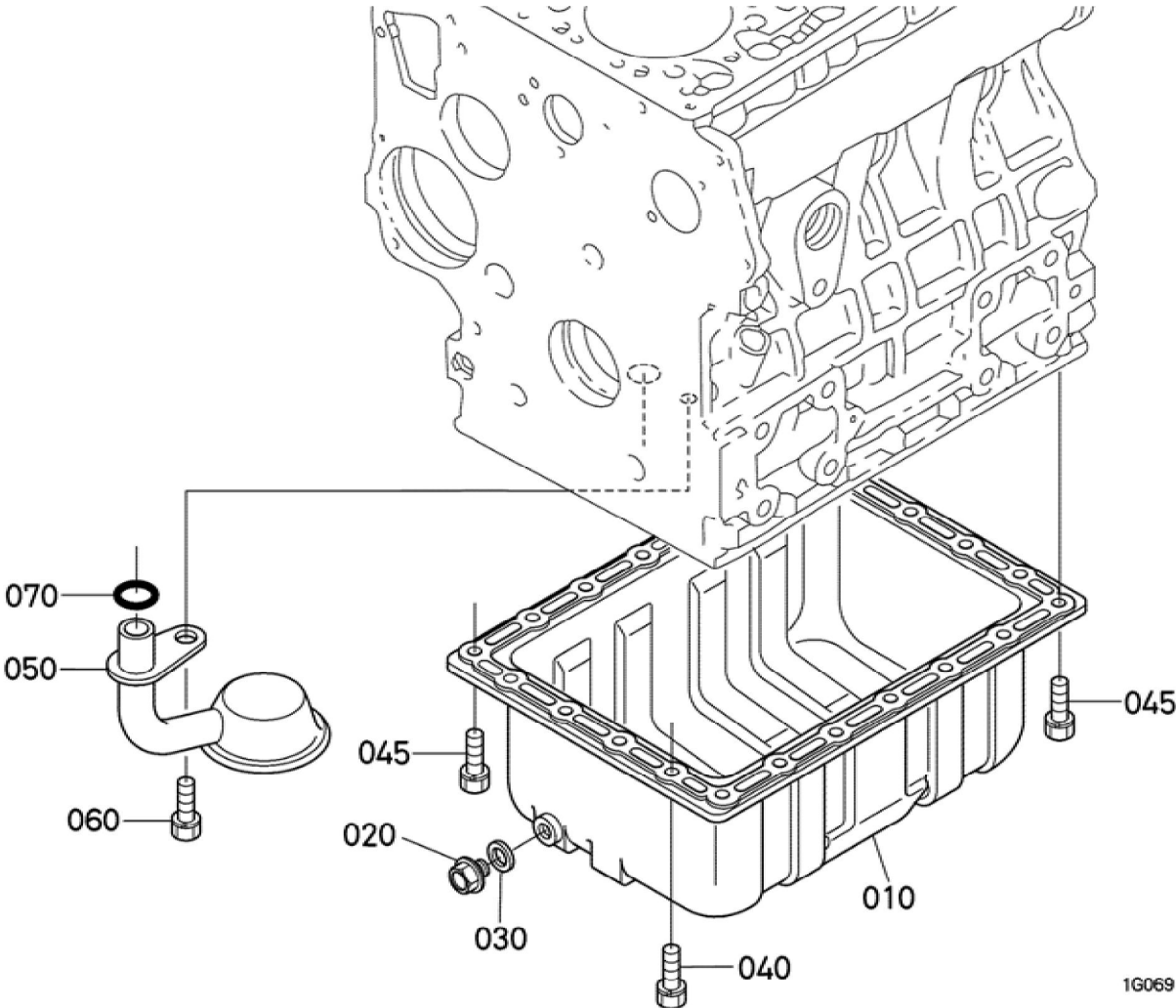


Update Date : 25-08-2016 Print Date : 07-04-2022

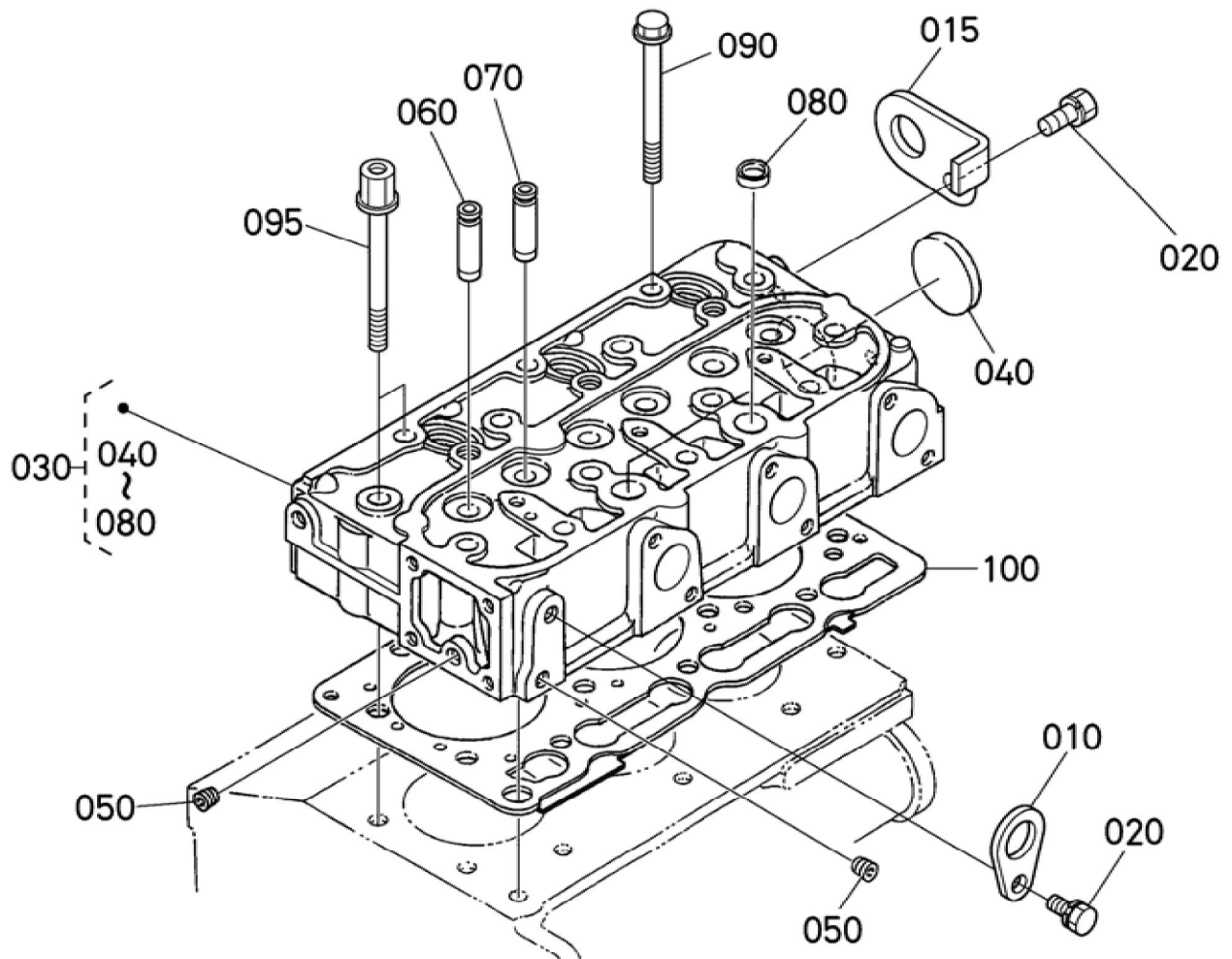
No.	Part Number	Part Name (POL)	Part Name (ENG)	QTY	IC	Serial No./PIN	Kg	Remarks
010	1G052-01010	KOMP.KURBELGEHAEUSE	COMP.CRANKCASE	1		<=4Z9999	32.000	
010	1G694-01010	KOMP.KURBELGEHAEUSE	COMP.CRANKCASE	1	=	=>5A0001	32.000	
010	1G694-01012	KOMP.KURBELGEHAEUSE	COMP.CRANKCASE	1	>>	=>6J0001	31.000	
020	15451-96270	KAPPE	CAP SEALING	4			0.010	
030	15221-03490	STOPFEN	CAP SEALING	1			0.020	
040	15261-96010	STOPFEN	PLUG	3			0.002	
050	16683-96020	STOPFEN	PLUG	1			0.088	
060	16241-96010	STOPFEN	PLUG	3			0.007	
070	15521-96020	STOPFEN	PLUG	2			0.003	
080	17391-96160	STOPFEN	PLUG EXPANSION	3			0.003	
090	16271-96160	STOPFEN	PLUG EXPANSION	1			0.025	
100	05012-00508	ZYLINDERSTIFT	PIN STRAIGHT	2			0.001	
110	05012-00814	ZYLINDERSTIFT	PIN STRAIGHT	2			0.006	
120	05012-00610	ZYLINDERSTIFT	PIN STRAIGHT	2			0.003	
130	15231-33960	ROHRSTIFT	PIN PIPE	2			0.001	
140	16241-33650	ROHRSTIFT	PIN PIPE	1			0.002	
150	16241-96262	STOPFEN	PLUG	1			0.007	
160	16261-56280	STARTFEDERSTIFT	PIN START SPRING	1			0.004	
170	16282-96010	STOPFEN	PLUG	1			0.090	
180	16271-55350	BUCHSE	BUSH GOVERNOR GEAR	1			0.060	
190	15221-33610	STOPFEN	PLUG	1			0.009	
200	15021-33660	DICHTUNGSPLATTE	GASKET	1			0.001	
210	15321-73340	WASSERROHR	PIPE WATER RETURN	1			0.016	



BKIDA0187 >> ZD28-EC >> MOTOR / ENGINE >> 000200 OL-FANGER / OIL PAN

Update Date : 25-08-2016 Print Date : 07-04-2022

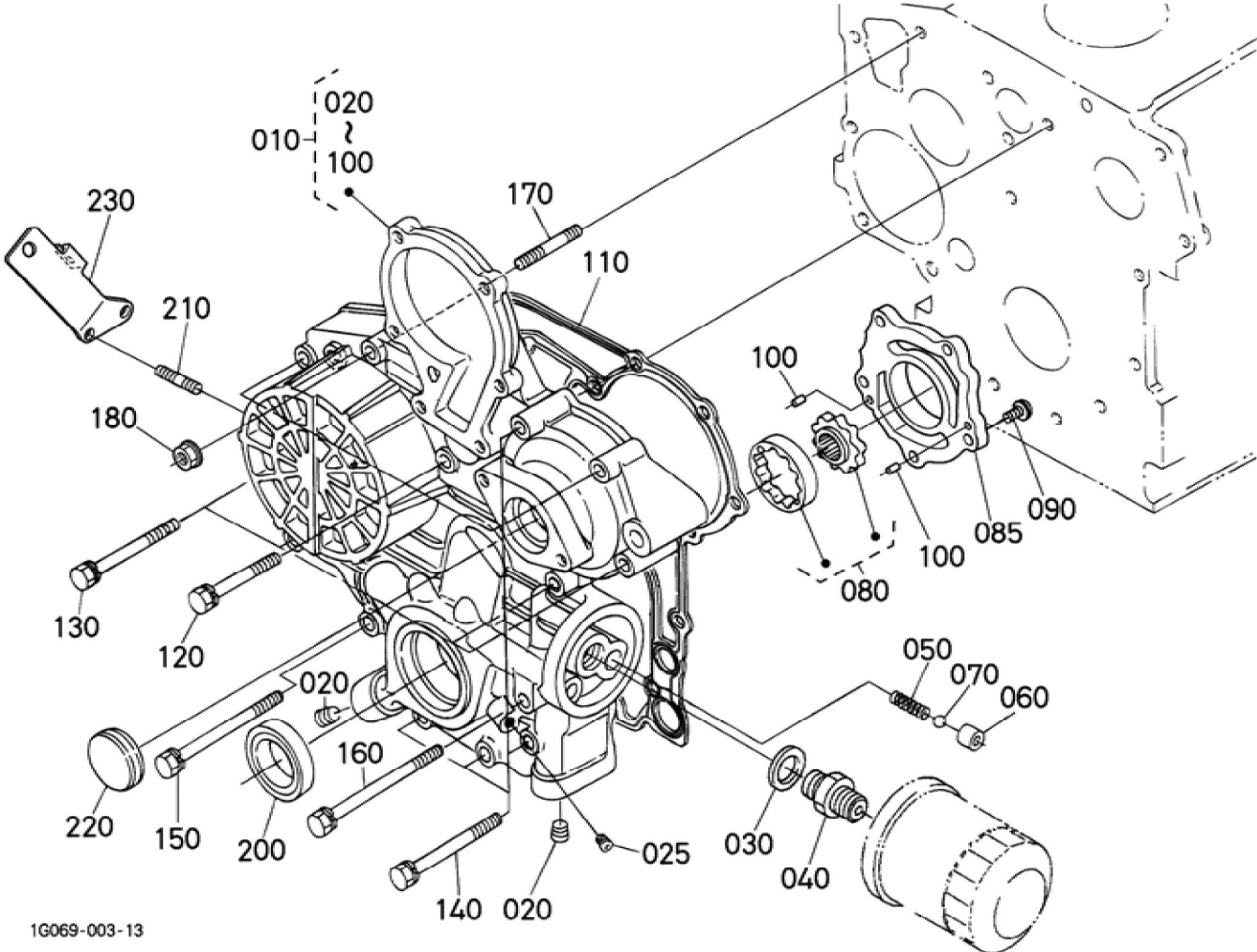
No.	Part Number	Part Name (POL)	Part Name (ENG)	QTY	IC	Serial No./PIN	Kg	Remarks
010	1G069-01500	KOMP.OELW ANNE	COMP.OIL PAN	1			1.380	
020	15221-33750	STOPFEN	PLUG	1		<=4K9999	0.032	
020	16326-33750	ENTLEERUN GSSTOPFEN	PLUG DRAIN	1	=	=>4L0001	0.025	
020	13901-33750	ENTLEERUN GSSTOPFEN	PLUG DRAIN	1	=	=>6Q0001	0.025	
030	6C090-58960	DICHTUNGSP LATTE	GASKET	1			0.005	
040	01023-50612	BOLZEN	BOLT	22		<=6H9999	0.005	
040	01023-50614	BOLZEN	BOLT	22	NI	=>6J0001	0.005	
040	01023-50614	BOLZEN	BOLT	20		=>8A0001	0.005	
045	01023-50614	BOLZEN	BOLT	2		=>8A0001	0.005	
050	16261-32114	OELFILTER	FILTER OIL	1		<=5X9999	0.210	
050	16261-32117	OELFILTER	FILTER OIL	1	>>	=>5Y0001	0.210	
060	01123-60816	SCHRAUBE	BOLT	1			0.010	
070	04814-00160	O RING	O RING	1			0.001	



BKIDA0187 >> ZD28-EC >> MOTOR / ENGINE >> 000300 ZYLINDERKOPF / CYLINDER HEAD

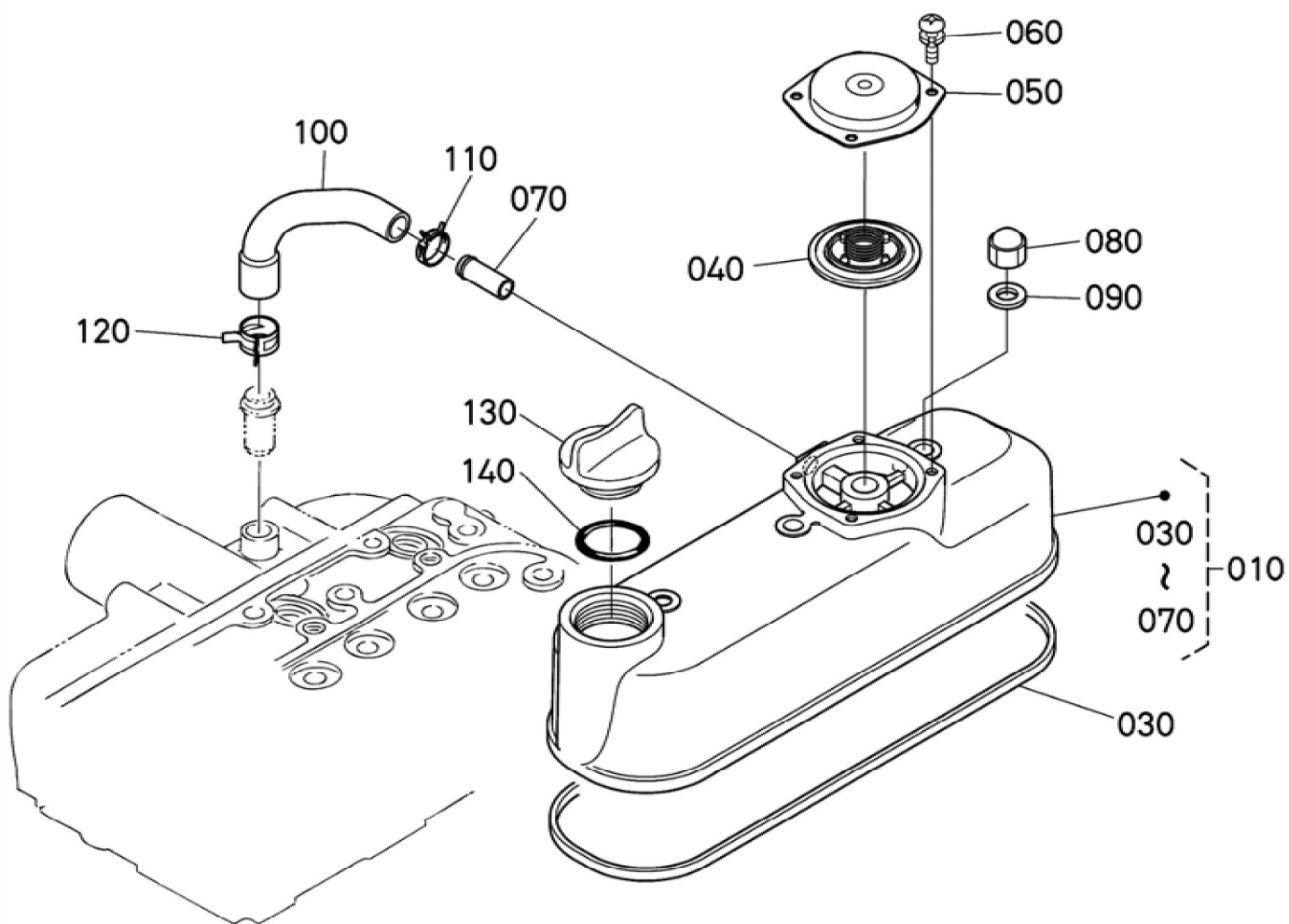
Update Date : 25-08-2016 Print Date : 07-04-2022

No.	Part Number	Part Name (POL)	Part Name (ENG)	QTY	IC	Serial No./PIN	Kg	Remarks
010	15221-01750	MOTORHAKE N	HOOK ENGINE	1			0.040	
015	1G069-01750	MOTOR HAKEN	HOOK ENGINE	1		<=6K9999	0.114	
015	1G069-01752	MOTORHAKE N	HOOK ENGINE	1	>>	=>6L0001	0.114	
020	01123-60814	BOLZEN	BOLT	3		<=6K9999	0.010	
020	01123-60814	BOLZEN	BOLT	2		=>6L0001	0.010	
030	1G065-03040	KOMP.ZYLIN DERKOPF	COMP.CYLIN DER HEAD	1		<=6K9999	9.400	
030	1G065-03042	KOMP.ZYLIN DERKOPF	COMP.CYLIN DER HEAD	1	=	=>6L0001	9.400	
030	1G065-03043	KOMP.ZYLIN DERKOPF	COMP.CYLIN DER HEAD	1	>>	=>7A0001	9.400	
030	1G065-03044	KOMP.ZYLIN DERKOPF	COMP.CYLIN DER HEAD	1	>>	=>7S0001	9.400	
040	15321-96260	KAPPE	CAP SEALING	1			0.014	
050	15261-96010	STOPFEN	PLUG	2			0.002	
060	16261-13540	EINLASSVEN TILFUEHRUN G	GUIDE INLET VALVE	3			0.020	
070	16261-13560	AUSLASSVEN TILFUEHRUN G	GUIDE EXHAUST VALVE	3			0.019	
080	15261-03370	STOEPSEL,A BDICHTUNG	CAP SEALING	2			0.005	
090	16241-03450	ZYLINDERKO PFSCHRAUB E	BOLT CYLINDER HEAD	12			0.050	
095	16216-03450	ZYLINDERKO PFSCHRAUB E	BOLT CYLINDER HEAD	2			0.070	
100	1G063-03310	ZYLINDERKO PFDICHTUNG	GASKET CYLINDER HEAD	1			0.160	



Update Date : 25-08-2016 Print Date : 07-04-2022

No.	Part Number	Part Name (POL)	Part Name (ENG)	QTY	IC	Serial No./PIN	Kg	Remarks
010	16216-04026	KMP.GETRIEBEGEHAEUSE	COMP.CASE GEAR	1		<=5F9999	2.450	
010	1G063-04020	KMP.GETRIEBEGEHAEUSE	COMP.CASE GEAR	1	>>	=>5G0001	2.500	
020	16241-96020	STOPFEN	PLUG	2			0.015	
025	15521-96020	STOPFEN	PLUG	1			0.003	
030	04011-50180	SCHEIBE	WASHER PLAIN	1			0.012	
040	15241-32290	VERBINDUNG SSTUECK	JOINT PIPE	1			0.053	
050	16241-36950	FEDER	SPRING	1			0.015	
060	16241-36930	SITZ,VENTIL	SEAT VALVE	1			0.032	
070	07715-00201	KUGEL	BALL	1			0.008	
080	16241-35070	ROTOR KOMP.	ASSY ROTOR OIL PUMP	1			0.270	
085	16251-35130	DECKEL, OELPUMPE	COVER OIL PUMP	1			0.090	
090	03017-50620	SCHRAUBE	SCREW CR-REC-BD-HD	5			0.005	
100	05012-00410	ZYLINDERSTIFT	PIN STRAIGHT	2			0.001	
110	16264-04132	DICHTUNG	GASKET GEAR CASE	1			0.010	
120	01023-50645	BOLZEN	BOLT	3			0.010	
130	01023-60650	BOLZEN	BOLT	4			0.015	
140	01023-50655	BOLZEN	BOLT	4			0.012	
150	01023-50665	BOLZEN	BOLT	1			0.015	
160	16241-91040	BOLZEN	BOLT	1			0.015	
170	16245-91530	STEBBOLZEN	STUD	1			0.010	
180	02056-50060	MUTTER	NUT	1		<=7VZ999	0.002	
180	02751-50060	MUTTER	NUT FLANGE	1	>>	=>7W0001	0.005	
200	16241-04212	OELDICHTUNGSRING	SEAL OIL	1			0.012	
210	16245-91540	STEBBOLZEN	STUD	2			0.005	
220	16264-83342	DECKEL, GETRIEBEGEHAEUSE	COVER GEAR CASE	1			0.010	
230	K3511-58052	HALTERUNG	SUPPORT ACCEL.WIRE	1			0.090	



BKIDA0187 >> ZD28-EC >> MOTOR / ENGINE >> 000500 VENTILDECKEL / HEAD COVER

Update Date : 25-08-2016 Print Date : 07-04-2022

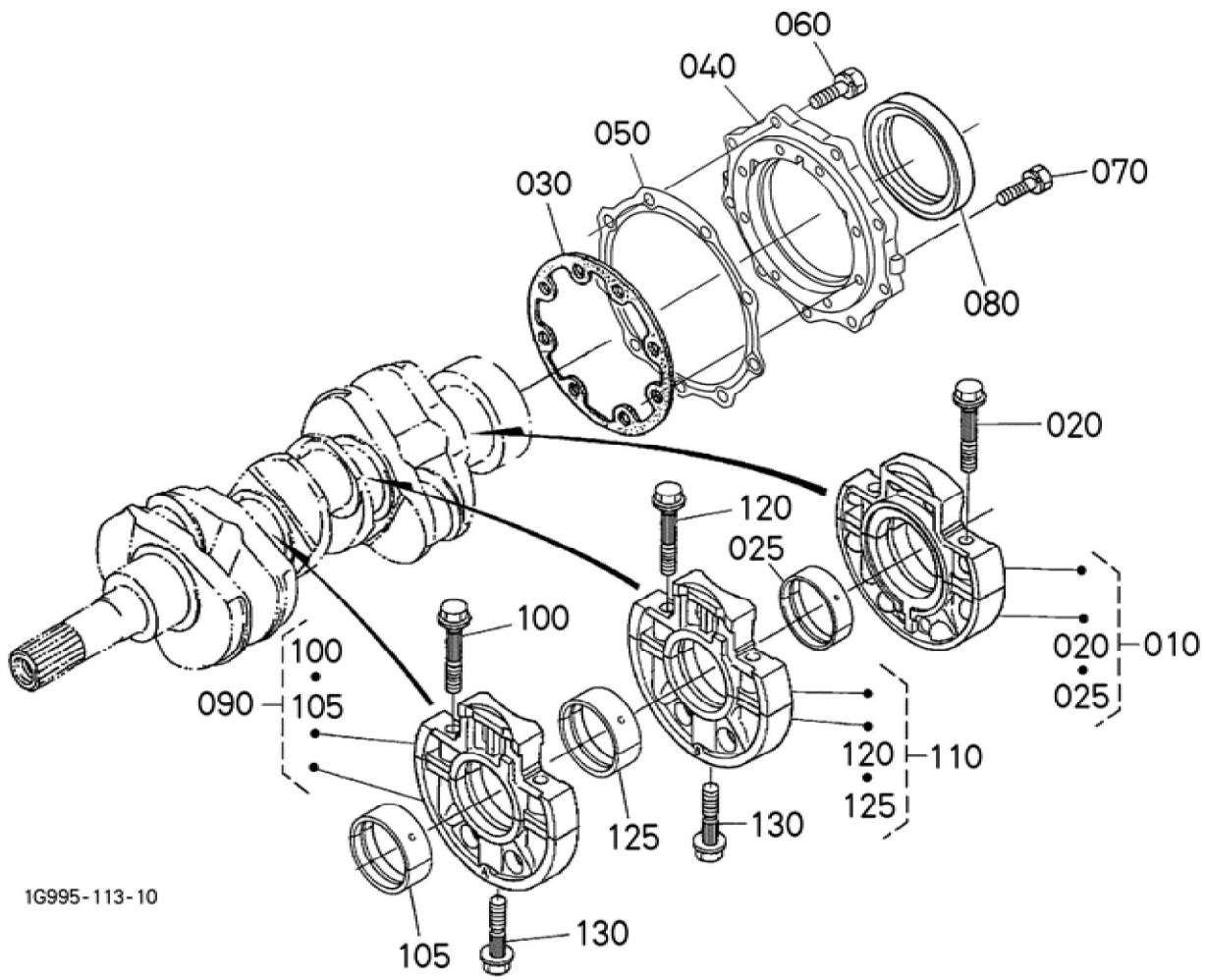
No.	Part Number	Part Name (POL)	Part Name (ENG)	QTY	IC	Serial No./PIN	Kg	Remarks
010	1G032-14500	VENTILDECKEL	ASSY COVER CYL.HEAD	1		<=4K9999	0.790	
010	1G032-14503	VENTILDECKEL	ASSY COVER CYL.HEAD	1	>>	=>4L0001	0.790	
010	1G032-14504	VENTILDECKEL	ASSY COVER CYL.HEAD	1	>>	=>5G0001	0.790	
010	1G032-14506	VENTILDECKEL	ASSY COVER CYL.HEAD	1	>>	=>7G0001	0.750	
030	16261-14520	VENTILDECKELDICHUNG	GASKET HEAD COVER	1			0.010	
040	1G911-05200	ENTLUEFTUNG GSVENTIL	COMP.VALVE BREATHER	1		<=4K9999	0.010	
040	1G911-05202	ENTLUEFTUNG GSVENTIL	COMP.VALVE BREATHER	1	>>	=>4L0001	0.010	
040	1G911-05203	ENTLUEFTER	COMP.VALVE BREATHER	1	>>	=>5G0001	0.010	
050	1G911-05120	ENTLUEFTER DECKEL	COVER BREATHER	1		<=5F9999	0.045	
050	1G801-05120	ENTLUEFTER DECKEL	COVER BREATHER	1	=	=>5G0001	0.035	
060	03054-50510	SCHRAUBE	SCREW PAN- HEAD	4		<=5V9999	0.003	
060	03024-50510	SCHRAUBE	SCREW WITH WASHER	4	>>	=>5W0001	0.002	
070	17331-73342	WASSERROH R	PIPE WATER RETURN	1			0.010	
080	15952-92330	MUTTER	NUT	3			0.010	
090	15951-96660	DICHTUNGSP LATTE	GASKET	3			0.001	
100	1G032-05510	ENTLUEFTUNG GSROHR	TUBE BREATHER	1			0.017	
110	09318-88150	SCHLAUCHBI NDER	CLAMP HOSE	1			0.004	
120	16259-05580	SCHLAUCHBI NDER	CLAMP HOSE	1			0.030	
130	E9151-33140	OELEINFUEL LSTOPFEN	PLUG OIL FILLER	1			0.017	

BKIDA0187 >> ZD28-EC >> MOTOR / ENGINE >> 000500 VENTILDECKEL / HEAD COVER

Update Date : 25-08-2016 Print Date : 07-04-2022

No.	Part Number	Part Name (POL)	Part Name (ENG)	QTY	IC	Serial No./PIN	Kg	Remarks
140	04814-50300	O RING	O RING	1			0.001	

Update Date : 25-08-2016 Print Date : 07-04-2022



1G995-113-10



Download the full PDF manual instantly.

Our customer service e-mail:

aservicemanualpdf@yahoo.com