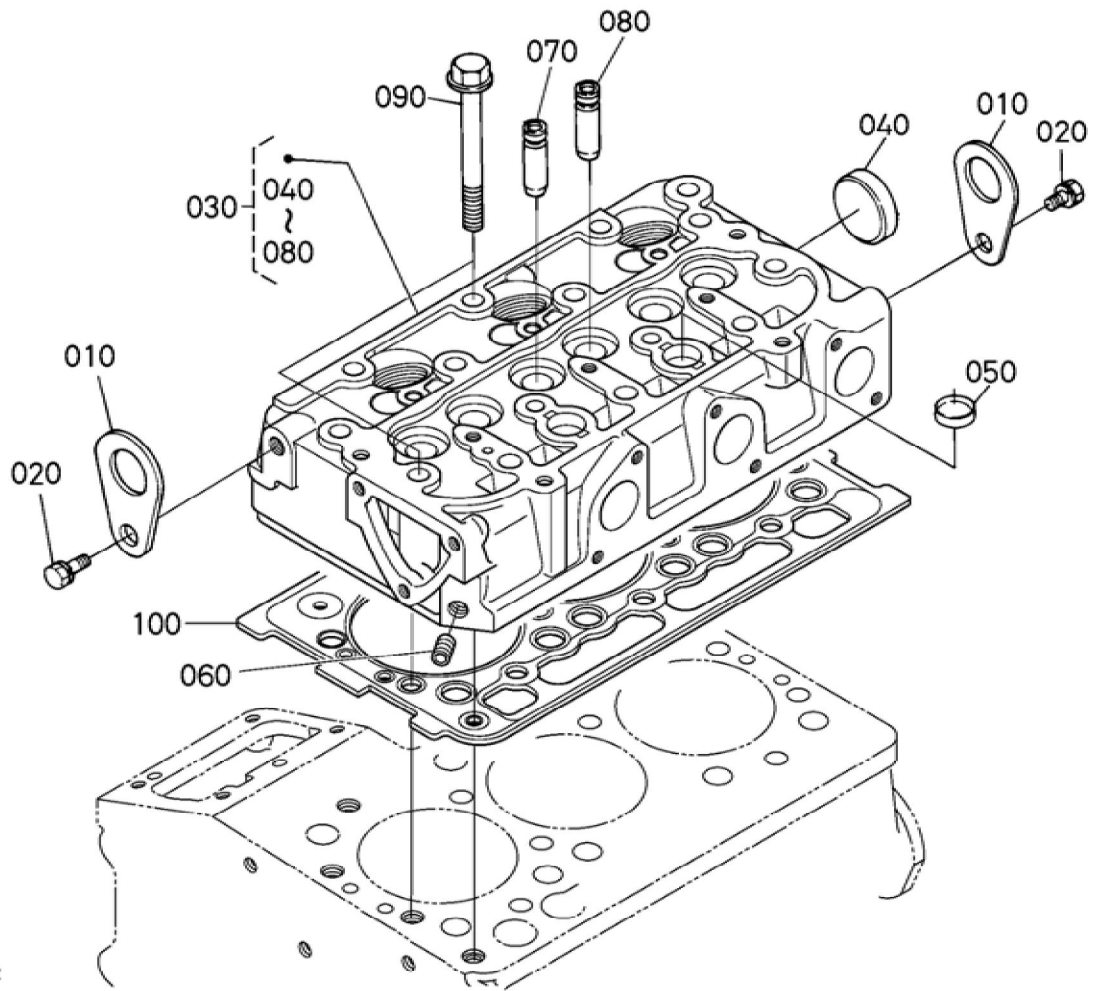


BKIDA0124 >> ZD21-EC >> MOTOR / ENGINE >> 000100 KURBELGEHAEUSE / CRANK CASE

Update Date : 09-12-2016 Print Date : 06-04-2022

No.	Part Number	Part Name (POL)	Part Name (ENG)	QTY	IC	Serial No./PIN	Kg	Remarks
010	1E051-01010	KOMP.KURBELGEHAEUSE	CRANKCASE, COMP	1		<=3T9999	15.000	
010	1E051-01012	KOMP.KURBELGEHAEUSE	COMP.CRANKCASE	1	>>	>=3U0001	15.000	
010	1E051-01013	KOMP.KURBELGEHAEUSE	COMP.CRANKCASE	1	>>	>=4A0001	15.000	
010	1E051-01014	KOMP.KURBELGEHAEUSE	COMP.CRANKCASE	1	>>	>=4L0001	15.000	
010	1E051-01015	KOMP.KURBELGEHAEUSE	CRANKCASE, COMP	1	>>	>=4Q0001	15.000	
010	1E051-01016	KOMP.KURBELGEHAEUSE	CRANKCASE, COMP	1	>>	>=5L0001	15.000	
010	1E051-01018	KOMP.KURBELGEHAEUSE	CRANKCASE, COMP	1	>>	>=6Q0001	15.000	
020	16851-96260	KAPPE	CAP,SEALING	3			0.005	
030	16851-96270	KAPPE	CAP,SEALING	5			0.005	
040	15451-96270	KAPPE	CAP,SEALING	2			0.010	
050	15261-96010	STOPFEN	PLUG	5			0.002	
060	15521-96020	STOPFEN	PLUG	3			0.003	
070	15521-96030	STOPFEN	PLUG	1			0.007	
080	15261-96160	STOPFEN	PLUG,EXPANSION	1			0.020	
090	05012-00508	ZYLINDERSTIFT	PIN,STRAIGHT	2			0.001	
100	05012-00814	ZYLINDERSTIFT	PIN,STRAIGHT	2			0.006	
110	15221-33650	ROHRSTIFT	PIN,PIPE	1			0.004	
120	15231-33960	ROHRSTIFT	PIN,PIPE	2			0.001	
130	17331-59190	ROHRSTIFT	PIN,PIPE	2			0.002	
140	16851-16212	DECKEL	COVER,FUELCAMSHAFT	1			0.030	
160	15841-73020	GRP.ABLASSHAHN	COCK,ASSY (DRAIN)	1			0.030	



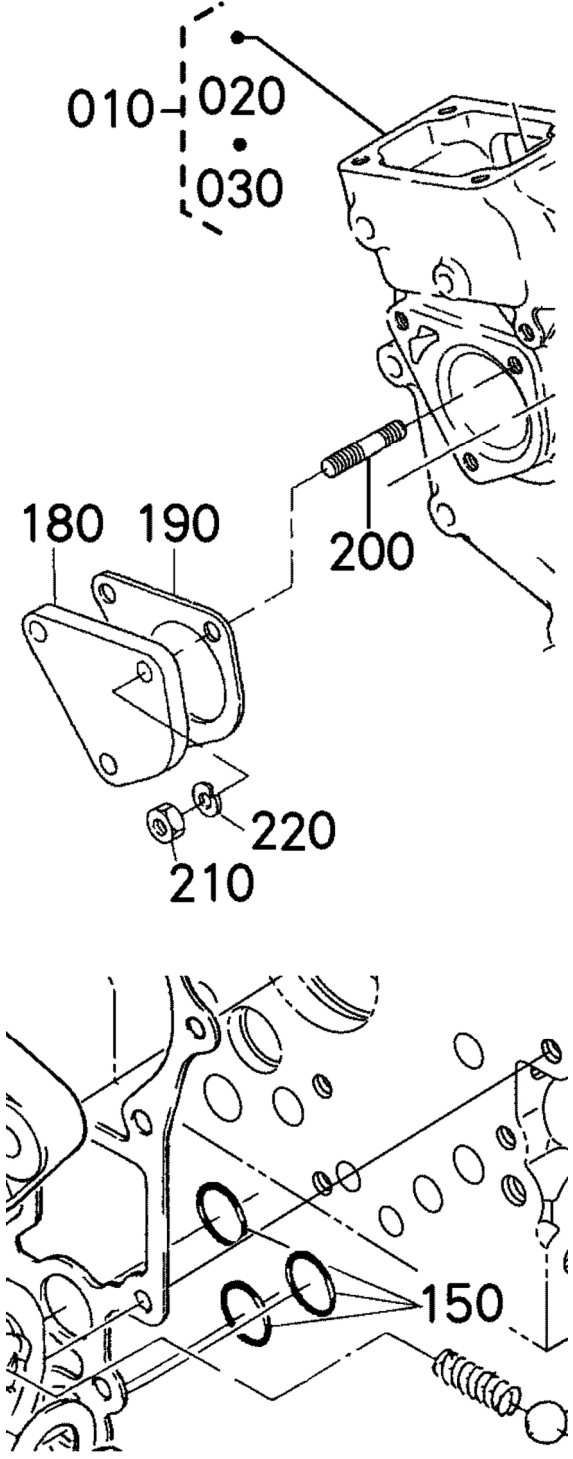
BKIDA0124 >> ZD21-EC >> MOTOR / ENGINE >> 000300 ZYLINDERKOPF / CYLINDER HEAD

Update Date : 09-12-2016 Print Date : 06-04-2022

No.	Part Number	Part Name (POL)	Part Name (ENG)	QTY	IC	Serial No./PIN	Kg	Remarks
010	15221-01750	MOTORHAKE N	HOOK,ENGINE	2			0.040	
020	01123-50816	SCHRAUBE	BOLT,SEMS	2			0.011	
030	1G008-03040	KOMP.ZYLIN DERKOPF	HEAD,CYL,C OMP	1		<=4Z9999	6.100	
030	1G969-03040	KOMP.ZYLIN DERKOPF	HEAD,CYL,C OMP	1	NI	>=5A0001	7.100	
040	15321-96260	KAPPE	CAP,SEALING	1			0.014	
050	15261-03370	STOEPSEL,A BDICHTUNG	CAP,SEALING	2			0.005	
060	15261-96010	STOPFEN	PLUG	1			0.002	
070	15841-13540	EINLASSVEN TILFUEHRUN G	GUIDE,VALVE (INLET)	3			0.014	
080	15841-13560	AUSLASSVEN TILFUEHRUN G	GUIDE (EXHAUST VALVE)	3			0.014	
090	14601-03450	ZYLINDERKO PFSCHRAUB E	BOLT,HEAD (CYLINDER)	14			0.035	
100	16871-03310	ZYLINDERKO PFDICHTUNG	GASKET (HEAD,CYL)	1		<=5T9999	0.083	
100	16871-03312	ZYLINDERKO PFDICHTUNG	GASKET (HEAD,CYL)	1	NI	>=5U0001	0.083	
100	16871-03313	ZYLINDERKO PFDICHTUNG	GASKET (HEAD,CYL)	1	>>	>=8A0001	0.083	

Update Date : 09-12-2016 Print Date : 06-04-2022

OLD PART



BKIDA0124 >> ZD21-EC >> MOTOR / ENGINE >> 000400 GETRIEBE GEHAEUSE / GEAR CASE

Update Date : 09-12-2016 Print Date : 06-04-2022

No.	Part Number	Part Name (POL)	Part Name (ENG)	QTY	IC	Serial No./PIN	Kg	Remarks
010	1E051-04020	KMP.GETRIE BEGEHAEUS E	COMP.CASE, GEAR	1		<=5F9999	1.700	
010	16823-04020	KMP.GETRIE BEGEHAEUS E	COMP.CASE, GEAR	1	NI	>=5G0001	1.700	
010	16823-04023	KMP.GETRIE BEGEHAEUS E	COMP.CASE, GEAR	1	NI	>=7W0001	1.700	
150	04814-06130	O RING	O-RING	3		<=7VZ999	0.001	
180	19461-83340	DECKEL	COVER	1		<=5F9999	0.080	
190	19461-88132	DICHTUNG	GASKET,H/M GEAR CASE	1		<=5F9999	0.002	
200	15221-88210	STEBOLZEN	STUD	3		<=5F9999	0.005	
210	02056-50060	MUTTER	HEX.NUT	3		<=5F9999	0.002	
220	04512-50060	FEDERRING	WASHER,SP RING LOCK	3		<=5F9999	0.001	



Download the full PDF manual instantly.

Our customer service e-mail:

aservicemanualpdf@yahoo.com