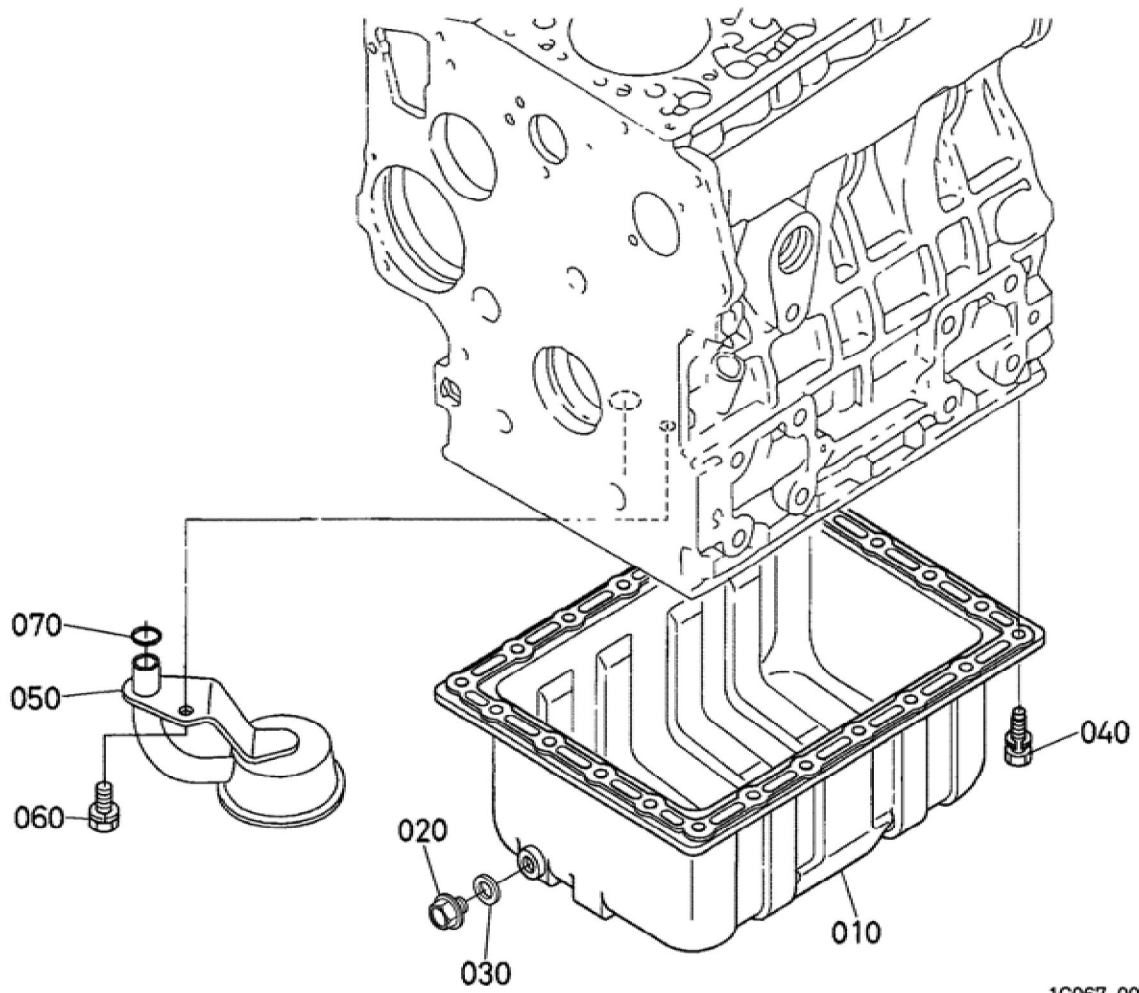


BKIDA5170 >> ZD1211R-EU-S5 >> MOTOR / ENGINE >> 000100 KURBELGHAEUSE / CRANKCASE

Update Date : 27-04-2020 Print Date : 06-04-2022

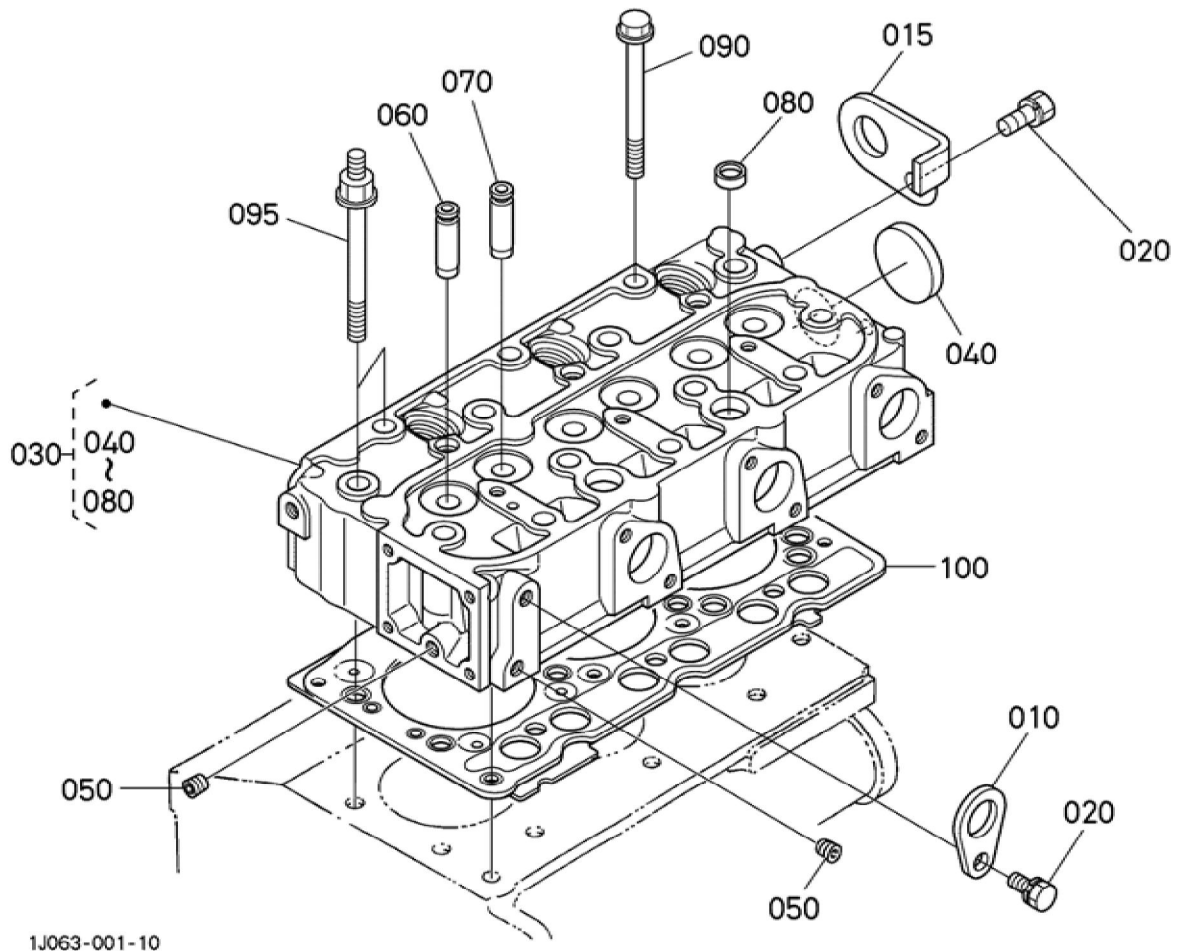
| No. | Part Number | Part Name (POL) | Part Name (ENG) | QTY | IC | Serial No./PIN | Kg | Remarks |
|-----|-------------|---------------------|------------------------|-----|----|----------------|--------|---------|
| 010 | 1G694-01012 | KOMP.KURBELGEHAEUSE | COMP.CRANKCASE | 1 | | <=1KHZ999 | 31.000 | |
| 010 | 1G870-01012 | KOMP.KURBELGEHAEUSE | COMP.CRANKCASE | 1 | >> | >=1KJ0001 | 30.000 | |
| 020 | 15451-96270 | KAPPE | CAP,SEALING | 4 | | | 0.010 | |
| 030 | 15221-03490 | STOPFEN | CAP,SEALING | 1 | | | 0.020 | |
| 040 | 15261-96010 | STOPFEN | PLUG | 3 | | | 0.002 | |
| 050 | 16683-96020 | STOPFEN | PLUG | 1 | | | 0.088 | |
| 060 | 16241-96010 | STOPFEN | PLUG | 3 | | | 0.007 | |
| 070 | 15521-96020 | STOPFEN | PLUG | 2 | | | 0.003 | |
| 080 | 17391-96160 | STOPFEN | PLUG,EXPANSION | 3 | | | 0.003 | |
| 090 | 16271-96160 | STOPFEN | PLUG,EXPANSION | 1 | | | 0.025 | |
| 100 | 05012-00508 | ZYLINDERSTIFT | PIN,STRAIGHT | 2 | | | 0.001 | |
| 110 | 05012-00814 | ZYLINDERSTIFT | PIN,STRAIGHT | 2 | | | 0.006 | |
| 120 | 05012-00610 | ZYLINDERSTIFT | PIN,STRAIGHT | 2 | | | 0.003 | |
| 130 | 15231-33960 | ROHRSTIFT | PIN,PIPE | 2 | | | 0.001 | |
| 140 | 16241-33650 | ROHRSTIFT | PIN,PIPE | 1 | | | 0.002 | |
| 150 | 16241-96262 | STOPFEN | PLUG,FUELCAMSHAFT | 1 | | | 0.007 | |
| 160 | 16261-56280 | STARTFEDERSTIFT | PIN(STARTSPRING) | 1 | | | 0.004 | |
| 170 | 16282-96010 | STOPFEN | PLUG | 1 | | | 0.090 | |
| 180 | 16271-55350 | BUCHSE | BUSHING(GEAR,GOVERNOR) | 1 | | | 0.060 | |
| 190 | 1G896-33610 | BOLZEN | PLUG | 1 | | | 0.008 | |
| 200 | 15021-33660 | DICHTUNGSPLATTE | PACKING | 1 | | | 0.001 | |
| 210 | 16871-73020 | GRP.ABLASSHAHN | COCK,ASSY(DRAIN) | 1 | | | 0.034 | |

Update Date : 27-04-2020 Print Date : 06-04-2022



Update Date : 27-04-2020 Print Date : 06-04-2022

| No. | Part Number | Part Name (POL) | Part Name (ENG) | QTY | IC | Serial No./PIN | Kg | Remarks |
|-----|-------------|------------------------|-----------------|-----|----|----------------|-------|---------|
| 010 | 1G069-01500 | KOMP.OELW ANNE | COMP.OIL PAN | 1 | | | 1.380 | |
| 020 | 13901-33750 | ENTLEERUN GSSTOPFEN | PLUG,DRAIN | 1 | | | 0.025 | |
| 030 | 6C090-58960 | DICHTUNGSP LATTE | GASKET | 1 | | | 0.005 | |
| 040 | 01023-50614 | BOLZEN | BOLT,SEMS | 22 | | | 0.005 | |
| 050 | 16261-32117 | OELFILTER | FILTER,OIL | 1 | | | 0.210 | |
| 060 | 01123-50816 | SCHRAUBE | BOLT,SEMS | 1 | | | 0.011 | |
| 070 | 04814-00160 | O RING | O RING | 1 | | | 0.001 | |



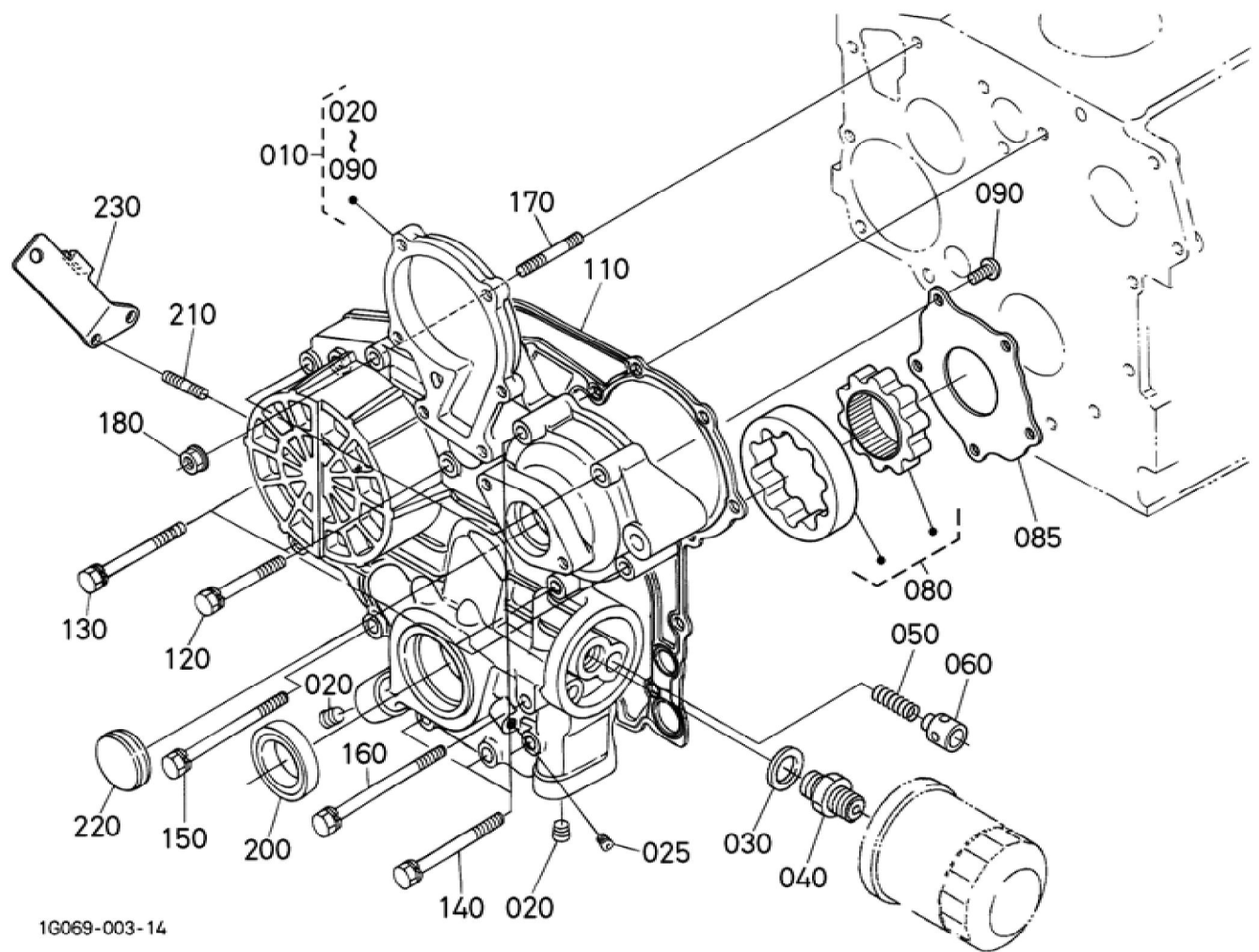
1J063-001-10

BKIDA5170 >> ZD1211R-EU-S5 >> MOTOR / ENGINE >> 000300 ZYLINDERKOPF / CYLINDER HEAD

Update Date : 27-04-2020 Print Date : 06-04-2022

| No. | Part Number | Part Name (POL) | Part Name (ENG) | QTY | IC | Serial No./PIN | Kg | Remarks |
|-----|-------------|-----------------------|----------------------|-----|----|----------------|-------|---------|
| 010 | 15221-01750 | MOTORHAKEN | HOOK,ENGINE | 1 | | | 0.040 | |
| 015 | 1G069-01752 | MOTORHAKEN | HOOK,ENGINE | 1 | | | 0.114 | |
| 020 | 01123-50814 | BOLZEN | BOLT,SEMS | 2 | | | 0.010 | |
| 030 | 1J096-03040 | KOMP.ZYLINDERKOPF | HEAD,CYLINDER | 1 | | | 9.300 | |
| 040 | 15321-96260 | KAPPE | CAP,SEALING | 1 | | | 0.014 | |
| 050 | 15261-96010 | STOPFEN | PLUG | 2 | | | 0.002 | |
| 060 | 16261-13540 | EINLASSVENTILFUEHRUNG | GUIDE,INLET VALVE | 3 | | | 0.020 | |
| 070 | 16261-13560 | AUSLASSVENTILFUEHRUNG | GUIDE,EXHAUST VALVE | 3 | | | 0.019 | |
| 080 | 15261-03370 | STOEPSSEL,ABDICHTUNG | CAP,SEALING | 2 | | | 0.005 | |
| 090 | 16241-03450 | ZYLINDERKOPFSCHRAUBE | BOLT,HEAD (CYLINDER) | 12 | | | 0.050 | |
| 095 | 16216-03450 | ZYLINDERKOPFSCHRAUBE | BOLT,CYLINDER HEAD | 2 | | | 0.070 | |
| 100 | 1G063-03310 | ZYLINDERKOPFDICHTUNG | GASKET (HEAD,CYL) | 1 | | | 0.160 | |

Update Date : 27-04-2020 Print Date : 06-04-2022



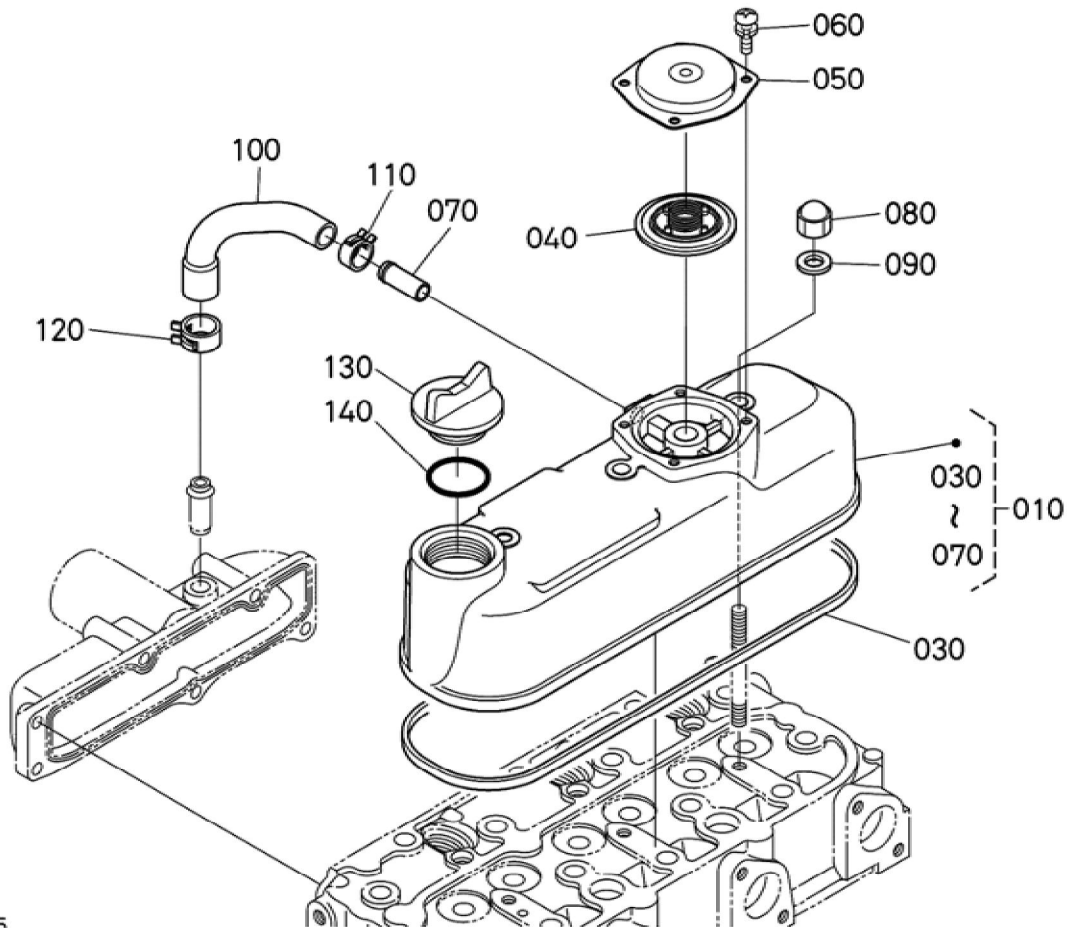
1G069-003-14

BKIDA5170 >> ZD1211R-EU-S5 >> MOTOR / ENGINE >> 000400 GETRIEBE GEHAEUSE / GEAR CASE

Update Date : 27-04-2020 Print Date : 06-04-2022

| No. | Part Number | Part Name (POL) | Part Name (ENG) | QTY | IC | Serial No./PIN | Kg | Remarks |
|-----|-------------|--------------------------|-------------------------|-----|----|----------------|-------|---------|
| 010 | 1G063-04023 | KMP.GETRIEBEGEHAEUSE | COMP.CASE, GEAR | 1 | | | 2.500 | |
| 020 | 16241-96020 | STOPFEN | PLUG | 2 | | | 0.015 | |
| 025 | 15521-96020 | STOPFEN | PLUG | 1 | | | 0.003 | |
| 030 | 04011-50180 | SCHEIBE | WASHER,PLAIN | 1 | | | 0.012 | |
| 040 | 15241-32290 | VERBINDUNGSSTUECK | JOINT,PIPE | 1 | | | 0.053 | |
| 050 | 1J050-36950 | FEDER | SPRING | 1 | | | 0.004 | |
| 060 | 1J050-36930 | UEBERLAUFVENTIL | VALVE (RELIEF) | 1 | | | 0.005 | |
| 080 | 1J050-35070 | ROTOR KOMP. | ROTOR,ASSY (OIL PUMP) | 1 | | | 0.244 | |
| 085 | 1J050-35132 | DECKEL, OELPUMPE | COVER(OIL PUMP) | 1 | | | 0.085 | |
| 090 | 03017-50614 | SCHRAUBE | SCREW,BINDING(PHILLIPS) | 5 | | | 0.005 | |
| 110 | 16264-04132 | DICHTUNG | GASKET,GEAR CASE | 1 | | | 0.010 | |
| 120 | 01023-50645 | BOLZEN | BOLT,SEMS | 3 | | | 0.010 | |
| 130 | 01023-50650 | BOLZEN | BOLT,SEMS | 4 | | | 0.012 | |
| 140 | 01023-50655 | BOLZEN | BOLT,SEMS | 4 | | | 0.012 | |
| 150 | 01023-50665 | BOLZEN | BOLT,SEMS | 1 | | | 0.015 | |
| 160 | 16241-91040 | BOLZEN | BOLT | 1 | | | 0.015 | |
| 170 | 16245-91530 | STEBBOLZEN | STUD | 1 | | | 0.010 | |
| 180 | 02751-50060 | MUTTER | NUT,FLANGE | 1 | | | 0.005 | |
| 200 | 16241-04212 | OELDICHTUNGSRING | SEAL,OIL | 1 | | | 0.012 | |
| 210 | 16245-91540 | STEBBOLZEN | STUD | 2 | | | 0.005 | |
| 220 | 16264-83342 | DECKEL, GETRIEBEGEHAEUSE | COVER,GEAR CASE | 1 | | | 0.010 | |
| 230 | K3511-58052 | HALTERUNG | SUPPORT,ACCEL.WIRE | 1 | | | 0.090 | |

Update Date : 27-04-2020 Print Date : 06-04-2022

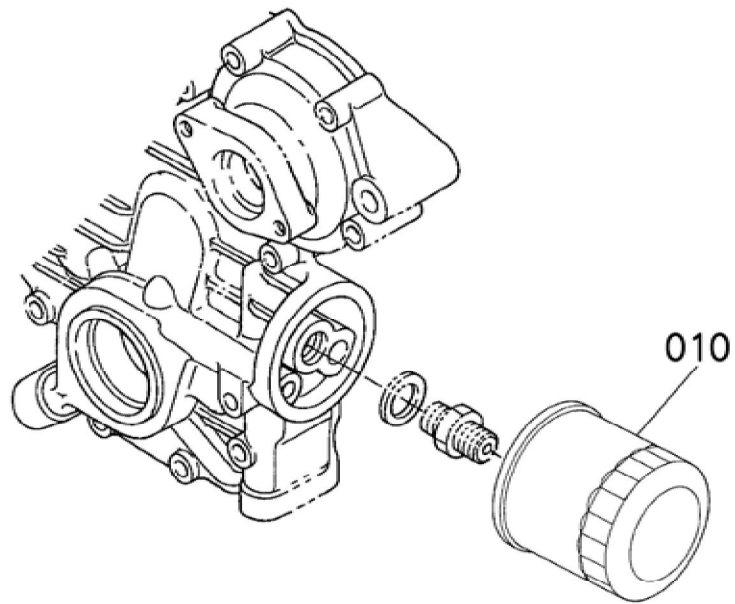


BKIDA5170 >> ZD1211R-EU-S5 >> MOTOR / ENGINE >> 000500 DECKEL OBEN / HEAD COVER

Update Date : 27-04-2020 Print Date : 06-04-2022

| No. | Part Number | Part Name (POL) | Part Name (ENG) | QTY | IC | Serial No./PIN | Kg | Remarks |
|-----|-------------|--------------------------|----------------------------|-----|----|----------------|-------|---------|
| 010 | 1G032-14580 | DECKEL OBEN,KOMP. | COVER,HEAD ,ASSY | 1 | | | 0.800 | |
| 030 | 16261-14524 | VENTILDECK ELDICHTUNG | GASKET,HEA D COVER | 1 | | | 0.010 | |
| 040 | 1G911-05203 | ENTLUEFTER | COMP VALVE,BREA THER | 1 | | | 0.010 | |
| 050 | 1G801-05120 | ENTLUEFTER DECKEL | COVER,BREA THER | 1 | | | 0.035 | |
| 060 | 03024-50510 | SCHRAUBE | SCREW,SEM S(PAN HEAD) | 4 | | | 0.002 | |
| 070 | 17331-73342 | WASSERROH R | PIPE,WATER RETURN | 1 | | | 0.010 | |
| 080 | 15952-92330 | MUTTER | NUT,CAP | 3 | | | 0.010 | |
| 090 | 15951-96660 | DICHTUNGSP LATTE | PACKING | 3 | | | 0.001 | |
| 100 | 1G032-05512 | ENTLUFTUN GSROHR | TUBE,BREAT HER | 1 | | | 0.017 | |
| 110 | 09318-88150 | SCHLAUCHBI NDER | CLAMPHOSE | 1 | | | 0.004 | |
| 120 | 16259-05580 | SCHLAUCHBI NDER | BAND,PIPE | 1 | | | 0.030 | |
| 130 | E9151-33140 | OELEINFUEL LSTOPFEN | PLUG(OIL FILLER) | 1 | | | 0.017 | |
| 140 | 1J001-96770 | O RING | O RING | 1 | | | 0.001 | |

Update Date : 27-04-2020 Print Date : 06-04-2022



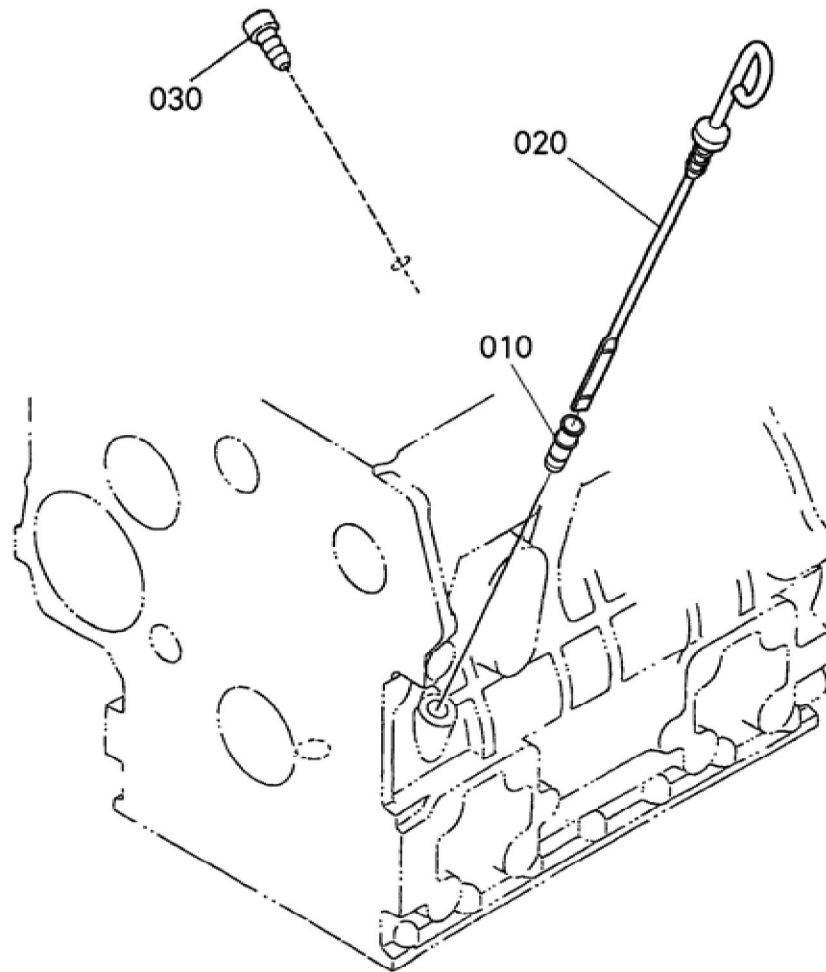
16615-003-11

BKIDA5170 >> ZD1211R-EU-S5 >> MOTOR / ENGINE >> 000600 OELFILTER / OIL FILTER

Update Date : 27-04-2020 Print Date : 06-04-2022

| No. | Part Number | Part Name (POL) | Part Name (ENG) | QTY | IC | Serial No./PIN | Kg | Remarks |
|-----|-------------|----------------------|-------------------------|-----|----|----------------|-------|---------|
| 010 | HH150-32094 | OELFILTERP ATRONE | CARTRIDGE OIL FILTER | 1 | | | 0.300 | |

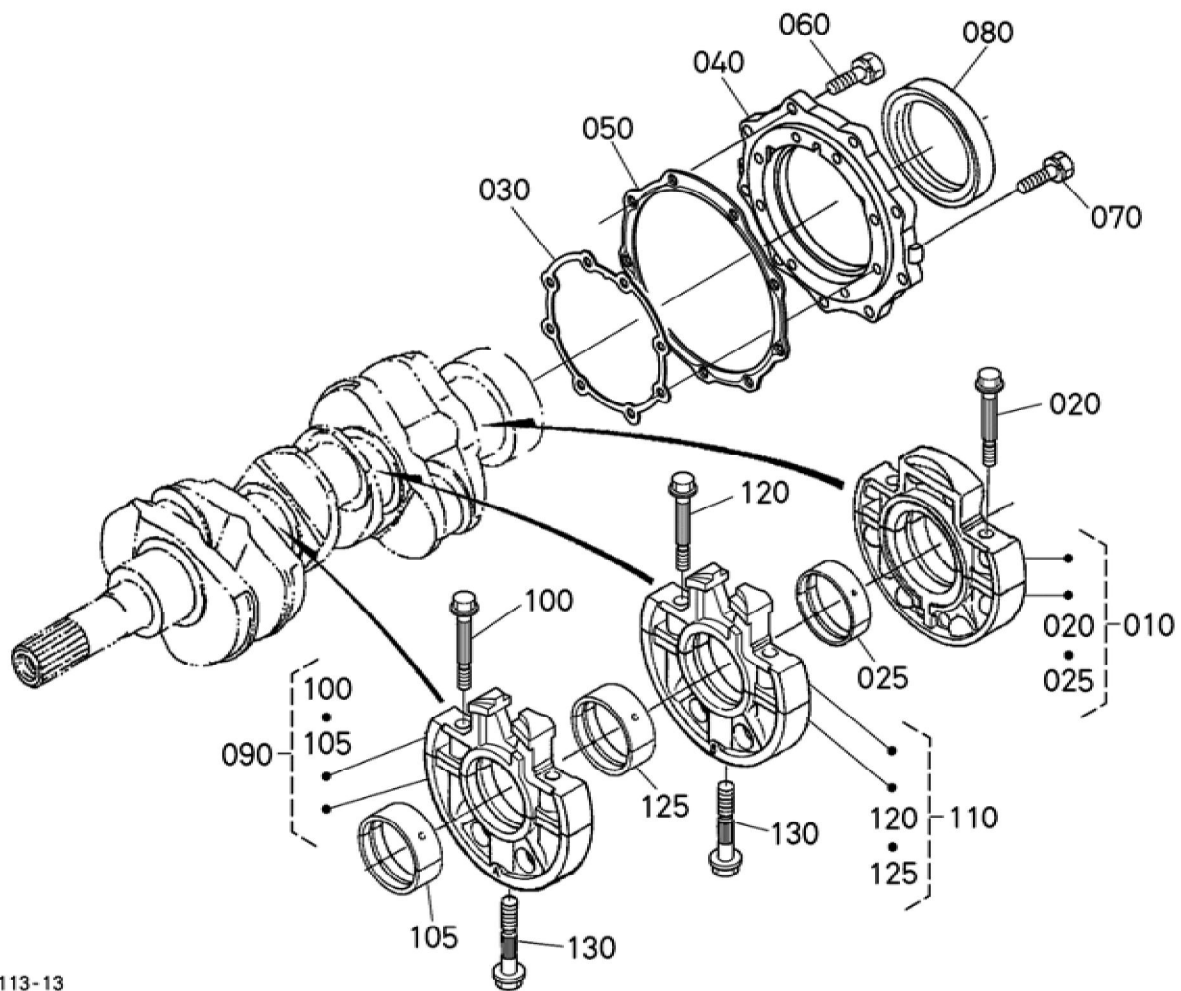
Update Date : 27-04-2020 Print Date : 06-04-2022



Update Date : 27-04-2020 Print Date : 06-04-2022

| No. | Part Number | Part Name (POL) | Part Name (ENG) | QTY | IC | Serial No./PIN | Kg | Remarks |
|-----|-------------|------------------------------|----------------------|-----|----|----------------|-------|---------|
| 010 | 16809-36420 | FUEHRUNG, OELMESSST AB | GUIDE (GAUGE,OIL) | 1 | | | 0.028 | |
| 020 | 16206-36412 | OELMESSST AB | GAUGE,OIL | 1 | | | 0.100 | |
| 030 | 1G513-36550 | STOPFEN, OELMESSST AB | PLUG,OIL GAUGE | 1 | | | 0.004 | |

Update Date : 27-04-2020 Print Date : 06-04-2022





Download the full PDF manual instantly.

Our customer service e-mail:

aservicemanualpdf@yahoo.com