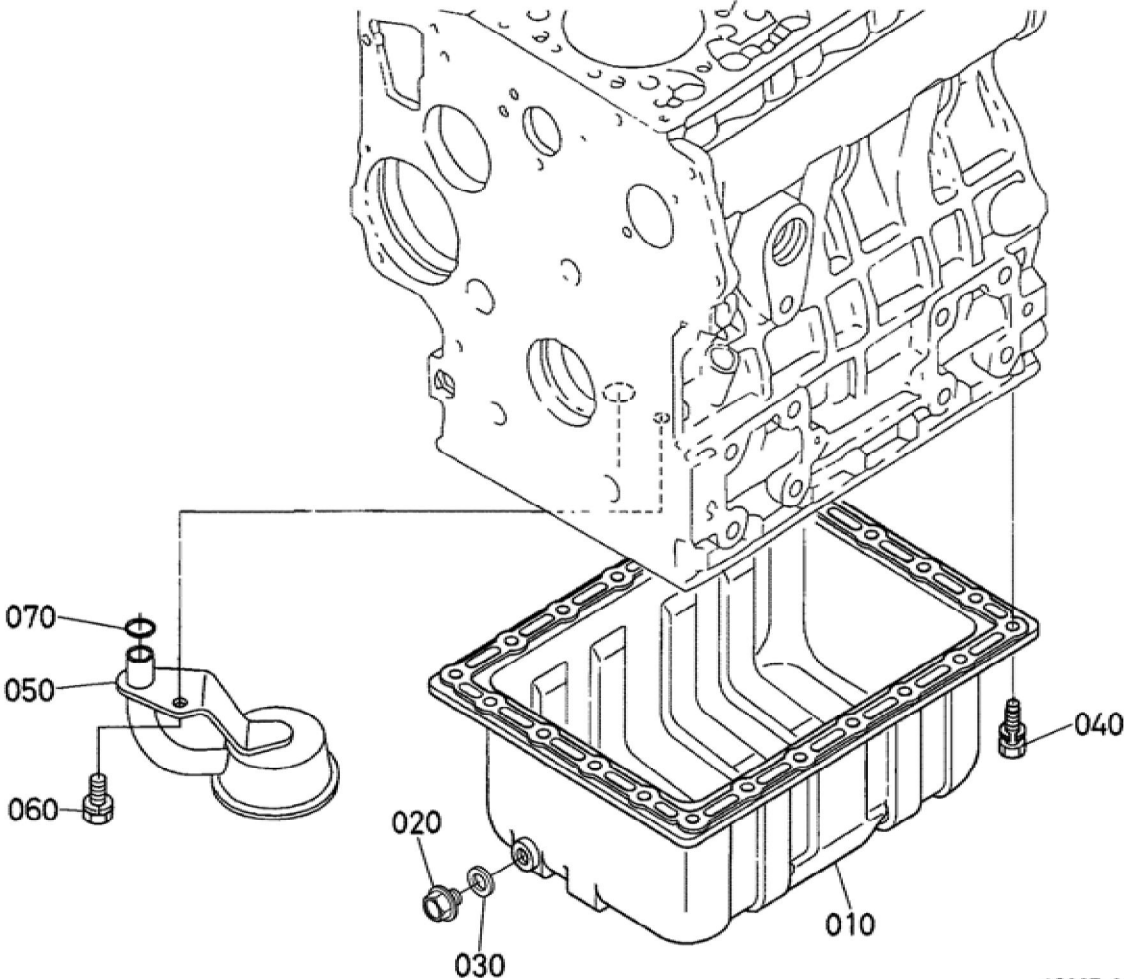


BKIDA5135 >> ZD1211R-EU >> MOTOR / ENGINE >> 000100 KURBELGHAEUSE / CRANKCASE

Update Date : 27-04-2020 Print Date : 06-04-2022

No.	Part Number	Part Name (POL)	Part Name (ENG)	QTY	IC	Serial No./PIN	Kg	Remarks
010	1G694-01012	KOMP.KURBELGEHAEUSE	COMP.CRANKCASE	1			31.000	
020	15451-96270	KAPPE	CAP,SEALING	4			0.010	
030	15221-03490	STOPFEN	CAP,SEALING	1			0.020	
040	15261-96010	STOPFEN	PLUG	3			0.002	
050	16683-96020	STOPFEN	PLUG	1			0.088	
060	16241-96010	STOPFEN	PLUG	3			0.007	
070	15521-96020	STOPFEN	PLUG	2			0.003	
080	17391-96160	STOPFEN	PLUG,EXPANSION	3			0.003	
090	16271-96160	STOPFEN	PLUG,EXPANSION	1			0.025	
100	05012-00508	ZYLINDERSTIFT	PIN,STRAIGHT	2			0.001	
110	05012-00814	ZYLINDERSTIFT	PIN,STRAIGHT	2			0.006	
120	05012-00610	ZYLINDERSTIFT	PIN,STRAIGHT	2			0.003	
130	15231-33960	ROHRSTIFT	PIN,PIPE	2			0.001	
140	16241-33650	ROHRSTIFT	PIN,PIPE	1			0.002	
150	16241-96262	STOPFEN	PLUG,FUEL CAMSHAFT	1			0.007	
160	16261-56280	STARTFEDERSTIFT	PIN(START SPRING)	1			0.004	
170	16282-96010	STOPFEN	PLUG	1			0.090	
180	16271-55350	BUCHSE	BUSHING (GEAR,GOVERNOR)	1			0.060	
190	1G896-33610	BOLZEN	PLUG	1			0.008	
200	15021-33660	DICHTUNGSPLATTE	PACKING	1			0.001	
210	16871-73020	GRP.ABLASSHAHN	COCK,ASSY (DRAIN)	1			0.034	

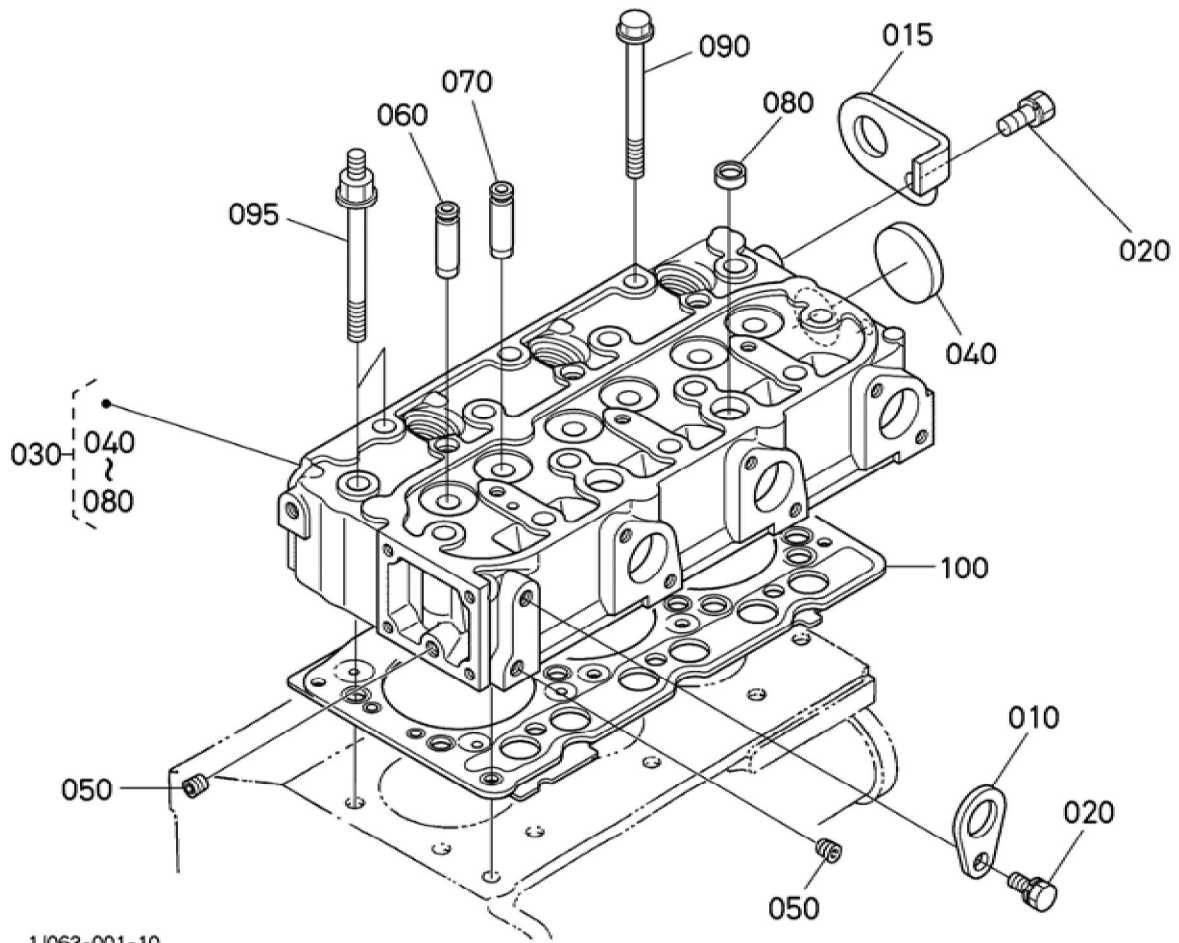
Update Date : 27-04-2020 Print Date : 06-04-2022



BKIDA5135 >> ZD1211R-EU >> MOTOR / ENGINE >> 000200 OELWANNE / OIL PAN

Update Date : 27-04-2020 Print Date : 06-04-2022

No.	Part Number	Part Name (POL)	Part Name (ENG)	QTY	IC	Serial No./PIN	Kg	Remarks
010	1G069-01500	KOMP.OELW ANNE	COMP.OIL PAN	1			1.380	
020	13901-33750	ENTLEERUN GSSTOPFEN	PLUG,DRAIN	1			0.025	
030	6C090-58960	DICHTUNGSP LATTE	GASKET	1			0.005	
040	01023-50614	BOLZEN	BOLT,SEMS	22			0.005	
050	16261-32117	OELFILTER	FILTER,OIL	1			0.210	
060	01123-50816	SCHRAUBE	BOLT,SEMS	1			0.011	
070	04814-00160	O RING	O RING	1			0.001	

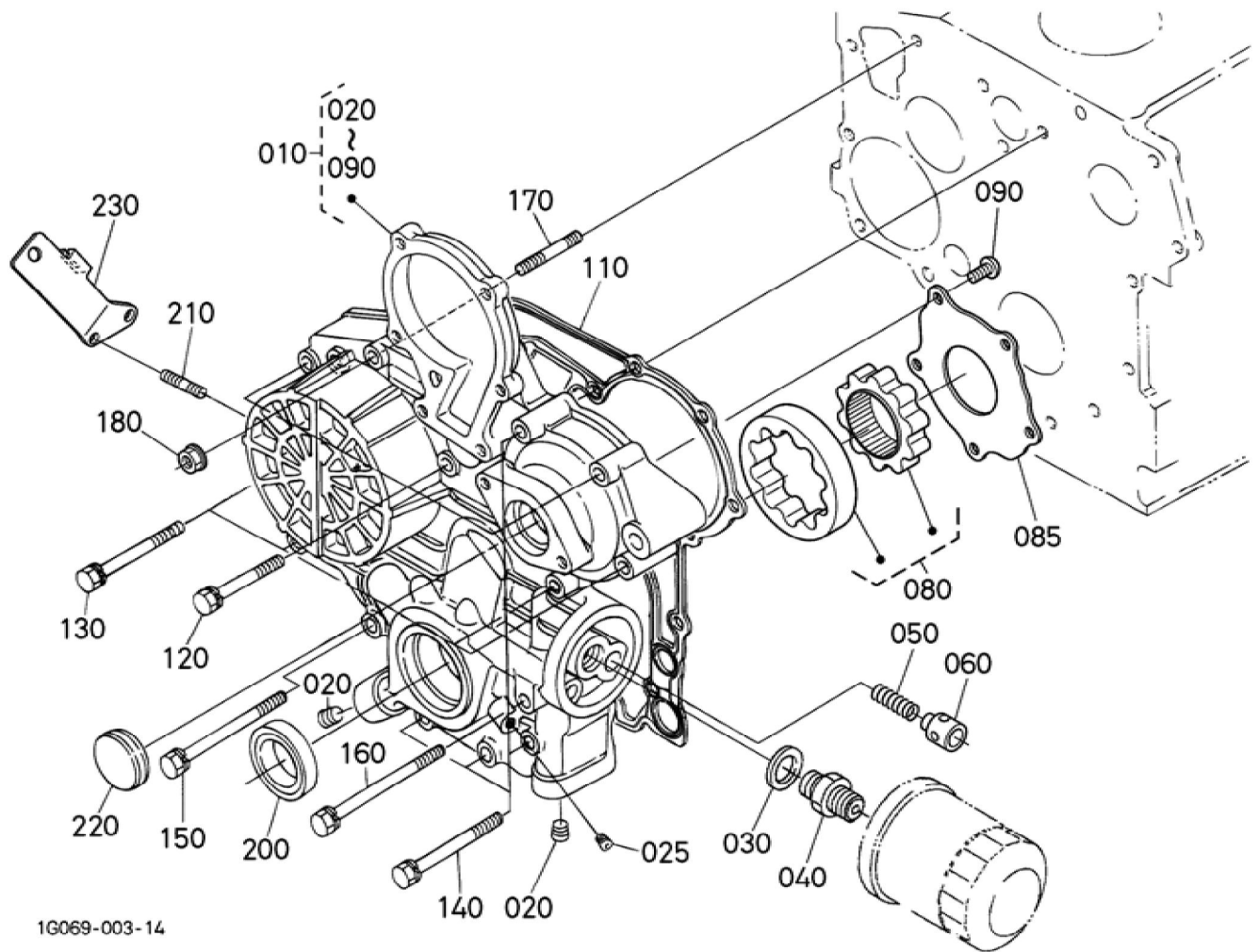


BKIDA5135 >> ZD1211R-EU >> MOTOR / ENGINE >> 000300 ZYLINDERKOPF / CYLINDER HEAD

Update Date : 27-04-2020 Print Date : 06-04-2022

No.	Part Number	Part Name (POL)	Part Name (ENG)	QTY	IC	Serial No./PIN	Kg	Remarks
010	15221-01750	MOTORHAKE N	HOOK,ENGIN E	1			0.040	
015	1G069-01752	MOTORHAKE N	HOOK,ENGIN E	1			0.114	
020	01123-50814	BOLZEN	BOLT,SEMS	2			0.010	
030	1J096-03040	KOMP.ZYLIN DERKOPF	HEAD,CYL,C OMP	1			9.300	
040	15321-96260	KAPPE	CAP,SEALING	1			0.014	
050	15261-96010	STOPFEN	PLUG	2			0.002	
060	16261-13540	EINLASSVEN TILFUEHRUN G	GUIDE,INLET VALVE	3			0.020	
070	16261-13560	AUSLASSVEN TILFUEHRUN G	GUIDE,EXHA UST VALVE	3			0.019	
080	15261-03370	STOEPSEL,A BDICHTUNG	CAP,SEALING	2			0.005	
090	16241-03450	ZYLINDERKO PFSCHRAUB E	BOLT,HEAD (CYLINDER)	12			0.050	
095	16216-03450	ZYLINDERKO PFSCHRAUB E	BOLT,CYLIND ER HEAD	2			0.070	
100	1G063-03310	ZYLINDERKO PFDICHTUNG	GASKET (HEAD,CYL)	1			0.160	

Update Date : 27-04-2020 Print Date : 06-04-2022

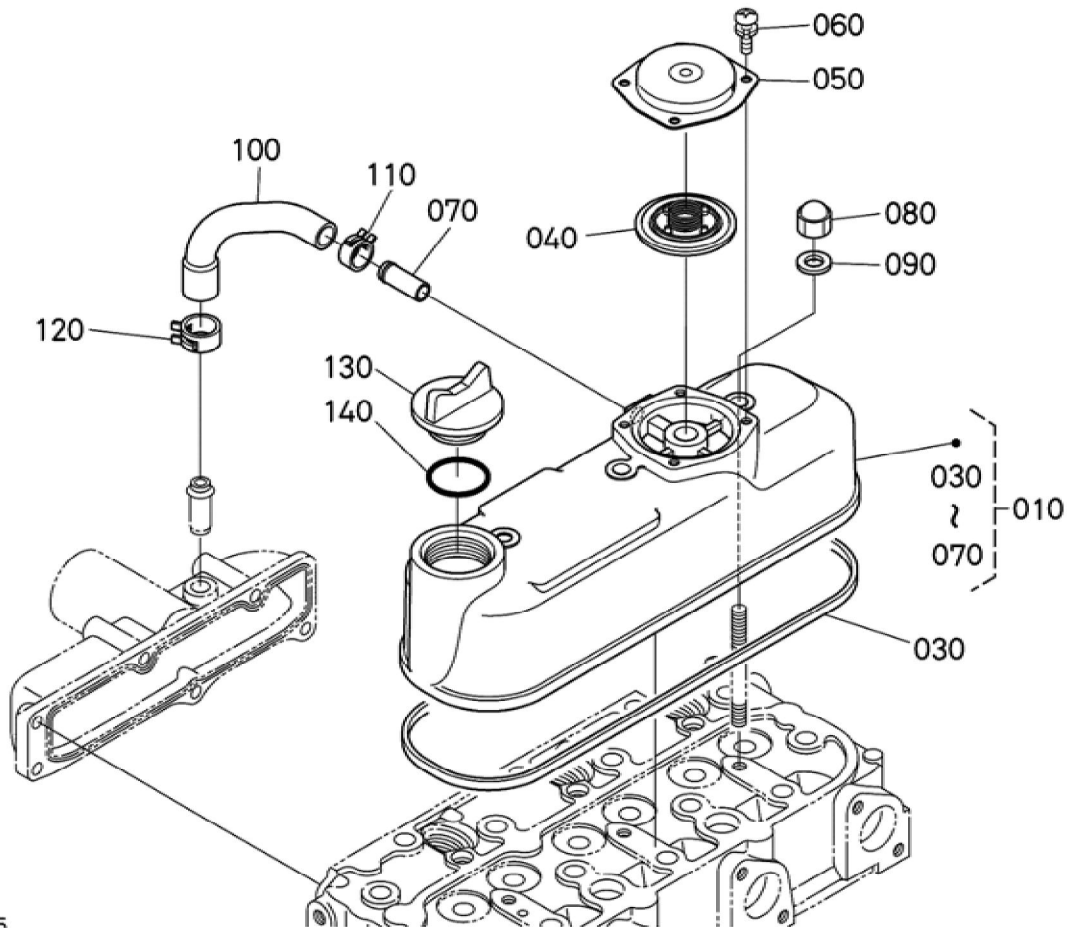


1G069-003-14

BKIDA5135 >> ZD1211R-EU >> MOTOR / ENGINE >> 000400 GETRIEBE GEHAEUSE / GEAR CASE

Update Date : 27-04-2020 Print Date : 06-04-2022

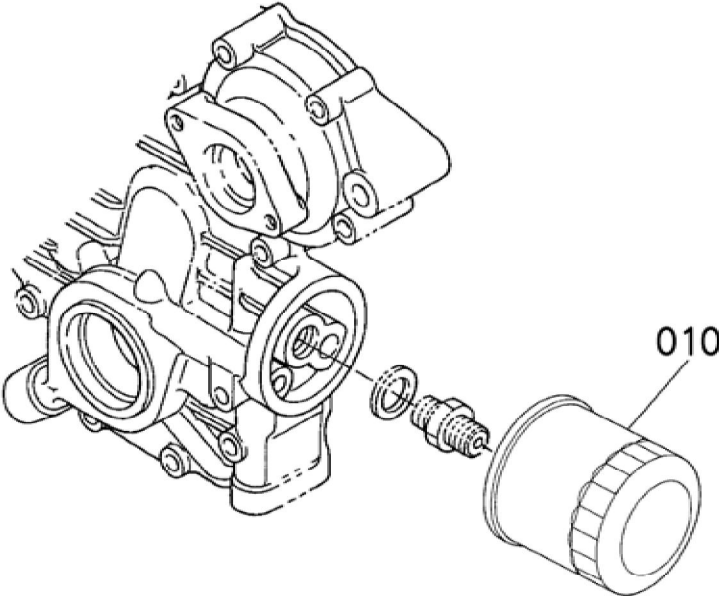
No.	Part Number	Part Name (POL)	Part Name (ENG)	QTY	IC	Serial No./PIN	Kg	Remarks
010	1G063-04023	KMP.GETRIEBEGEHAEUSE	COMP.CASE, GEAR	1			2.500	
020	16241-96020	STOPFEN	PLUG	2			0.015	
025	15521-96020	STOPFEN	PLUG	1			0.003	
030	04011-50180	SCHEIBE	WASHER,PLAIN	1			0.012	
040	15241-32290	VERBINDUNGSSTUECK	JOINT,PIPE	1			0.053	
050	1J050-36950	FEDER	SPRING	1			0.004	
060	1J050-36930	UEBERLAUFVENTIL	VALVE (RELIEF)	1			0.005	
080	1J050-35070	ROTOR KOMP.	ROTOR,ASSY (OIL PUMP)	1			0.244	
085	1J050-35132	DECKEL, OELPUMPE	COVER(OIL PUMP)	1			0.085	
090	03017-50614	SCHRAUBE	SCREW,BINDING(PHILLIPS)	5			0.005	
110	16264-04132	DICHTUNG	GASKET,GEAR CASE	1			0.010	
120	01023-50645	BOLZEN	BOLT,SEMS	3			0.010	
130	01023-50650	BOLZEN	BOLT,SEMS	4			0.012	
140	01023-50655	BOLZEN	BOLT,SEMS	4			0.012	
150	01023-50665	BOLZEN	BOLT,SEMS	1			0.015	
160	16241-91040	BOLZEN	BOLT	1			0.015	
170	16245-91530	STEBBOLZEN	STUD	1			0.010	
180	02751-50060	MUTTER	NUT,FLANGE	1			0.005	
200	16241-04212	OELDICHTUNGSRING	SEAL,OIL	1			0.012	
210	16245-91540	STEBBOLZEN	STUD	2			0.005	
220	16264-83342	DECKEL, GETRIEBEGEHAEUSE	COVER,GEAR CASE	1			0.010	
230	K3511-58052	HALTERUNG	SUPPORT,ACCEL.WIRE	1			0.090	



BKIDA5135 >> ZD1211R-EU >> MOTOR / ENGINE >> 000500 DECKEL OBEN / HEAD COVER

Update Date : 27-04-2020 Print Date : 06-04-2022

No.	Part Number	Part Name (POL)	Part Name (ENG)	QTY	IC	Serial No./PIN	Kg	Remarks
010	1G032-14508	ZYLINDERKO PFHAUBE	ASSY COVER,CYL. HEAD	1		<=1HTZ999	0.750	
010	1G032-14509	DECKEL OBEN,KOMP.	ASSY COVER,CYL. HEAD	1	>>	>=1HU0001	0.780	
010	1G032-14580	DECKEL OBEN,KOMP.	COVER,HEAD ,ASSY	1	>>	>=1JQ0001	0.800	
030	16261-14524	VENTILDECK ELDICHTUNG	GASKET,HEA D COVER	1			0.010	
040	1G911-05203	ENTLUEFTER	COMP VALVE,BREA THER	1			0.010	
050	1G801-05120	ENTLUEFTER DECKEL	COVER,BREA THER	1			0.035	
060	03024-50510	SCHRAUBE	SCREW,SEM S(PAN HEAD)	4			0.002	
070	17331-73342	WASSERROH R	PIPE,WATER RETURN	1			0.010	
080	15952-92330	MUTTER	NUT,CAP	3			0.010	
090	15951-96660	DICHTUNGSP LATTE	PACKING	3			0.001	
100	1G032-05510	ENTLUEFTUN GSROHR	TUBE,BREAT HER	1		<=1JMZ999	0.017	
100	1G032-05512	ENTLUFTUN GSROHR	TUBE,BREAT HER	1	>>	>=1JN0001	0.017	
110	09318-88150	SCHLAUCHBI NDER	CLAMPHOSE	1			0.004	
120	16259-05580	SCHLAUCHBI NDER	BAND,PIPE	1			0.030	
130	E9151-33140	OELEINFUEL LSTOPFEN	PLUG(OIL FILLER)	1			0.017	
140	1J001-96770	O RING	O RING	1			0.001	

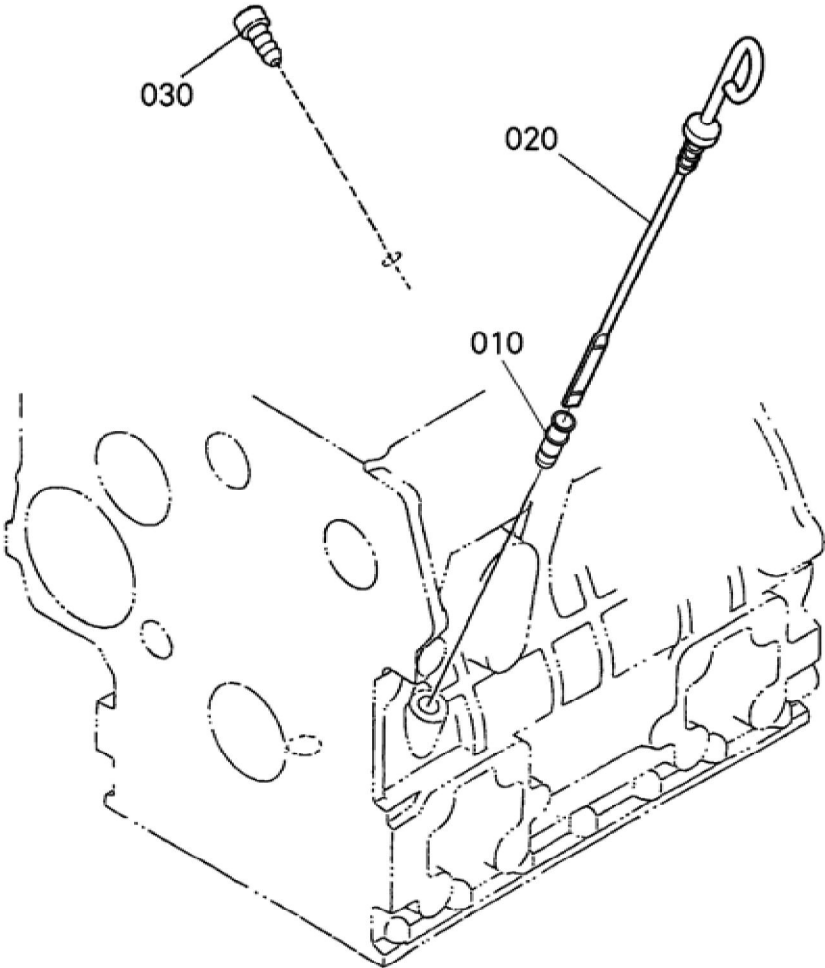


BKIDA5135 >> ZD1211R-EU >> MOTOR / ENGINE >> 000600 OELFILTER / OIL FILTER

Update Date : 27-04-2020 Print Date : 06-04-2022

No.	Part Number	Part Name (POL)	Part Name (ENG)	QTY	IC	Serial No./PIN	Kg	Remarks
010	HH150-32094	OELFILTERP ATRONE	FILTER (CARTRIDGE, OIL)	1			0.300	

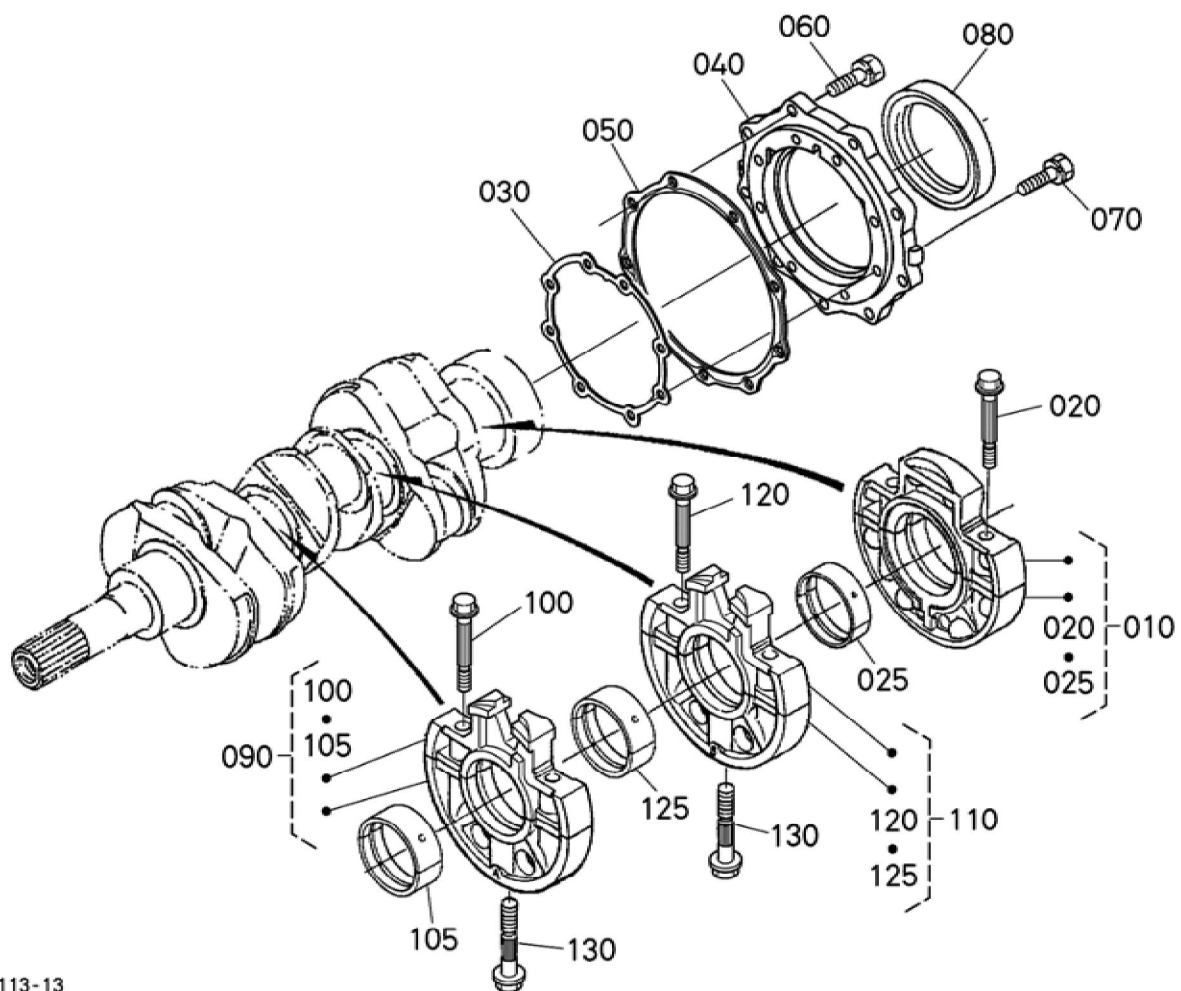
Update Date : 27-04-2020 Print Date : 06-04-2022



Update Date : 27-04-2020 Print Date : 06-04-2022

No.	Part Number	Part Name (POL)	Part Name (ENG)	QTY	IC	Serial No./PIN	Kg	Remarks
010	16809-36420	FUEHRUNG, OELMESSST AB	GUIDE (GAUGE,OIL)	1			0.028	
020	16206-36412	OELMESSST AB	GAUGE,OIL	1			0.100	
030	1G513-36550	STOPFEN, OELMESSST AB	PLUG,OIL GAUGE	1			0.004	

Update Date : 27-04-2020 Print Date : 06-04-2022



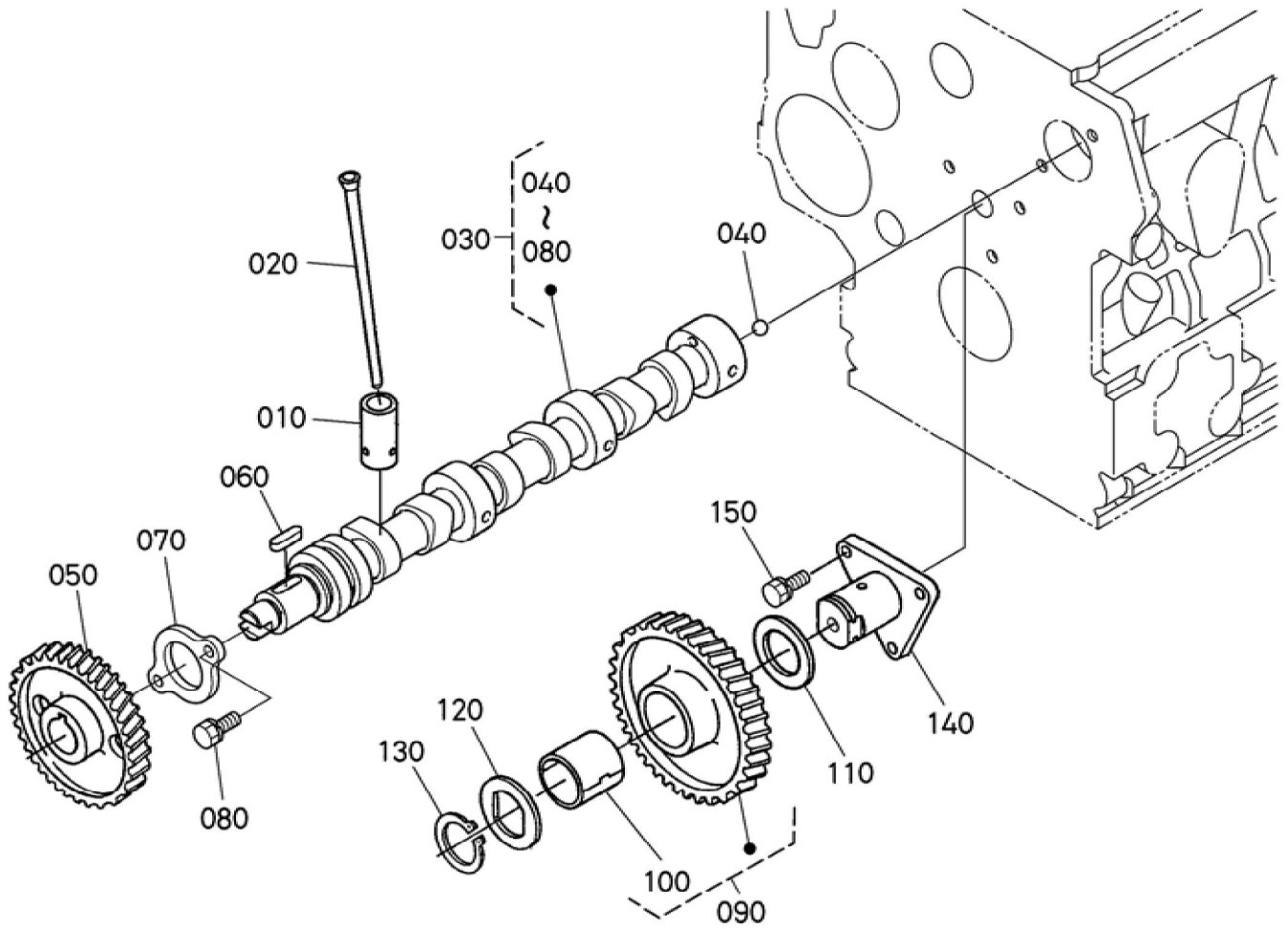
Update Date : 27-04-2020 Print Date : 06-04-2022

No.	Part Number	Part Name (POL)	Part Name (ENG)	QTY	IC	Serial No./PIN	Kg	Remarks
010	16292-07097	LAGERGEHA EUSE,KOMP.	ASSY BRG CASE	1			1.100	
020	16241-04540	BOLZEN,LAG ERKASTEN	BOLT,BEARIN G CASE	2			0.020	
025	16292-23494	LAGERSCHA LE	METAL,CRAN KSHAFT	1			0.070	STD SET
025	16292-23864	LAGERSCHA LE	METAL,CRAN KSHAFT	1			0.050	-0.20mm SET
025	16292-23874	LAGERSCHA LE	METAL,CRAN KSHAFT	1			0.050	-0.40mm SET
030	1J095-04360	DICHTUNG,L AGER	GASKET (BRG.CASE)	1			0.006	
040	16241-04815	DECKEL,LAG ERKASTEN	COVER (CASE,BRG)	1			0.220	
050	16264-04822	DICHTUNG	GASKET	1			0.008	
060	1G679-91012	BOLZEN	BOLT	8			0.007	
070	1G679-91022	BOLZEN	BOLT	9			0.006	
080	16285-04460	DELDICHTUN GSRING	SEAL,OIL	1			0.003	
090	16261-07047	GRP.LAGERG EHAEUSE	ASSY BRG.CASE,M AIN	1			0.860	
100	16241-04540	BOLZEN,LAG ERKASTEN	BOLT,BEARIN G CASE	2			0.020	
105	16292-23483	LAGERSCHA LE	METAL,CRAN KSHAFT	1			0.050	STD SET
105	16292-23933	LAGERSCHA LE	METAL,CRAN KSHAFT	1			0.050	-0.20mm SET
105	16292-23943	LAGERSCHA LE	METAL,CRAN KSHAFT	1			0.050	-0.40mm SET
110	16261-07057	GRP.LAGERG EHAEUSE	ASSY BRG.CASE,M AIN	1			0.800	
120	16241-04540	BOLZEN,LAG ERKASTEN	BOLT,BEARIN G CASE	2			0.020	
125	16292-23483	LAGERSCHA LE	METAL,CRAN KSHAFT	1			0.050	STD SET
125	16292-23933	LAGERSCHA LE	METAL,CRAN KSHAFT	1			0.050	-0.20mm SET

Update Date : 27-04-2020 Print Date : 06-04-2022

No.	Part Number	Part Name (POL)	Part Name (ENG)	QTY	IC	Serial No./PIN	Kg	Remarks
125	16292-23943	LAGERSCHALE	METAL,CRANKSHAFT	1			0.050	-0.40mm SET
130	16241-04560	BOLZEN,LAGERKASTEN	BOLT (CASE,BRG)	2			0.030	

Update Date : 27-04-2020 Print Date : 06-04-2022



1J976-036-17



Download the full PDF manual instantly.

Our customer service e-mail:

aservicemanualpdf@yahoo.com