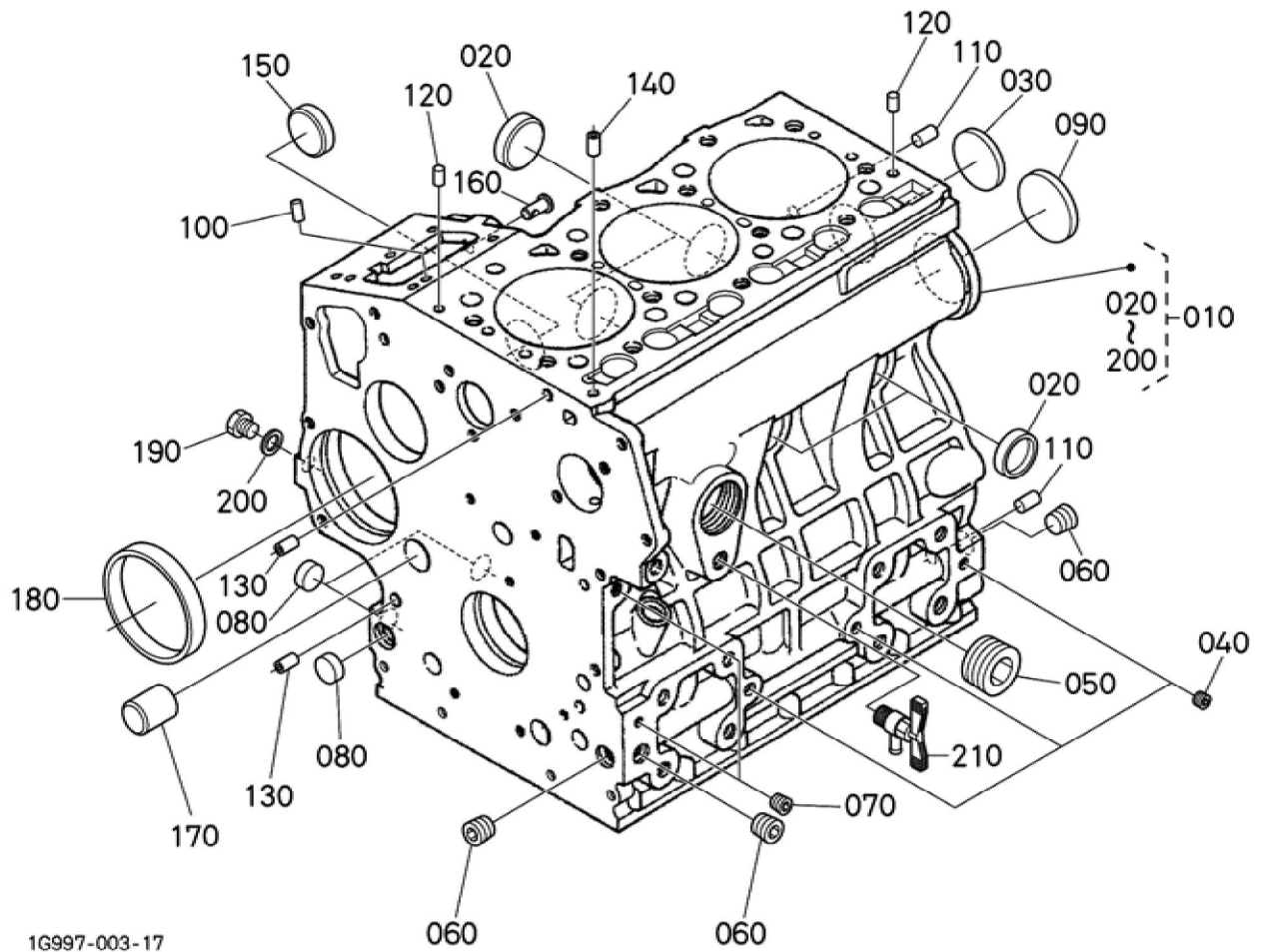


Update Date : 28-05-2020 Print Date : 06-04-2022

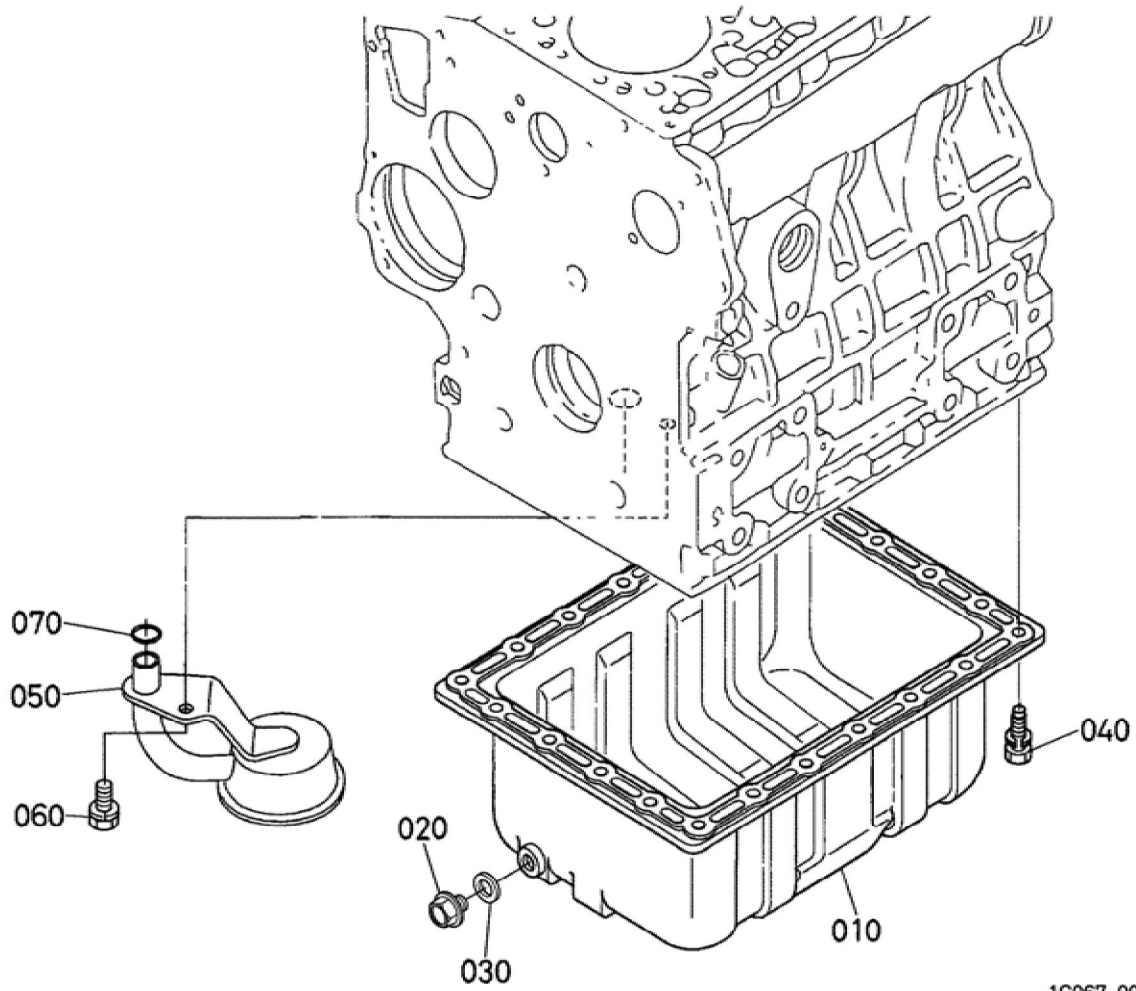


16997-003-17

Update Date : 28-05-2020 Print Date : 06-04-2022

No.	Part Number	Part Name (POL)	Part Name (ENG)	QTY	IC	Serial No./PIN	Kg	Remarks
010	1G870-01012	KOMP.KURBELGEHAEUSE	COMP.CRANKCASE	1			30.000	
020	15451-96270	KAPPE	CAP,SEALING	4			0.010	
030	15221-03490	STOPFEN	CAP,SEALING	1			0.020	
040	15261-96010	STOPFEN	PLUG	3			0.002	
050	16683-96020	STOPFEN	PLUG	1			0.088	
060	16241-96010	STOPFEN	PLUG	3			0.007	
070	15521-96020	STOPFEN	PLUG	2			0.003	
080	17391-96160	STOPFEN	PLUG,EXPANSION	3			0.003	
090	16271-96160	STOPFEN	PLUG,EXPANSION	1			0.025	
100	05012-00508	ZYLINDERSTIFT	PIN,STRAIGHT	2			0.001	
110	05012-00814	ZYLINDERSTIFT	PIN,STRAIGHT	2			0.006	
120	05012-00610	ZYLINDERSTIFT	PIN,STRAIGHT	2			0.003	
130	15231-33960	ROHRSTIFT	PIN,PIPE	2			0.001	
140	16241-33650	ROHRSTIFT	PIN,PIPE	1			0.002	
150	16241-96262	STOPFEN	PLUG,FUELCAMSHAFT	1			0.007	
160	16261-56280	STARTFEDERSTIFT	PIN(START SPRING)	1			0.004	
170	16282-96010	STOPFEN	PLUG	1			0.090	
180	16271-55350	BUCHSE	BUSHING (GEAR,GOVERNOR)	1			0.060	
190	1G896-33610	BOLZEN	PLUG	1			0.008	
200	15021-33660	DICHTUNGSPLATTE	PACKING	1			0.001	
210	16871-73020	GRP.ABLASSHAHN	COCK,ASSY (DRAIN)	1			0.034	

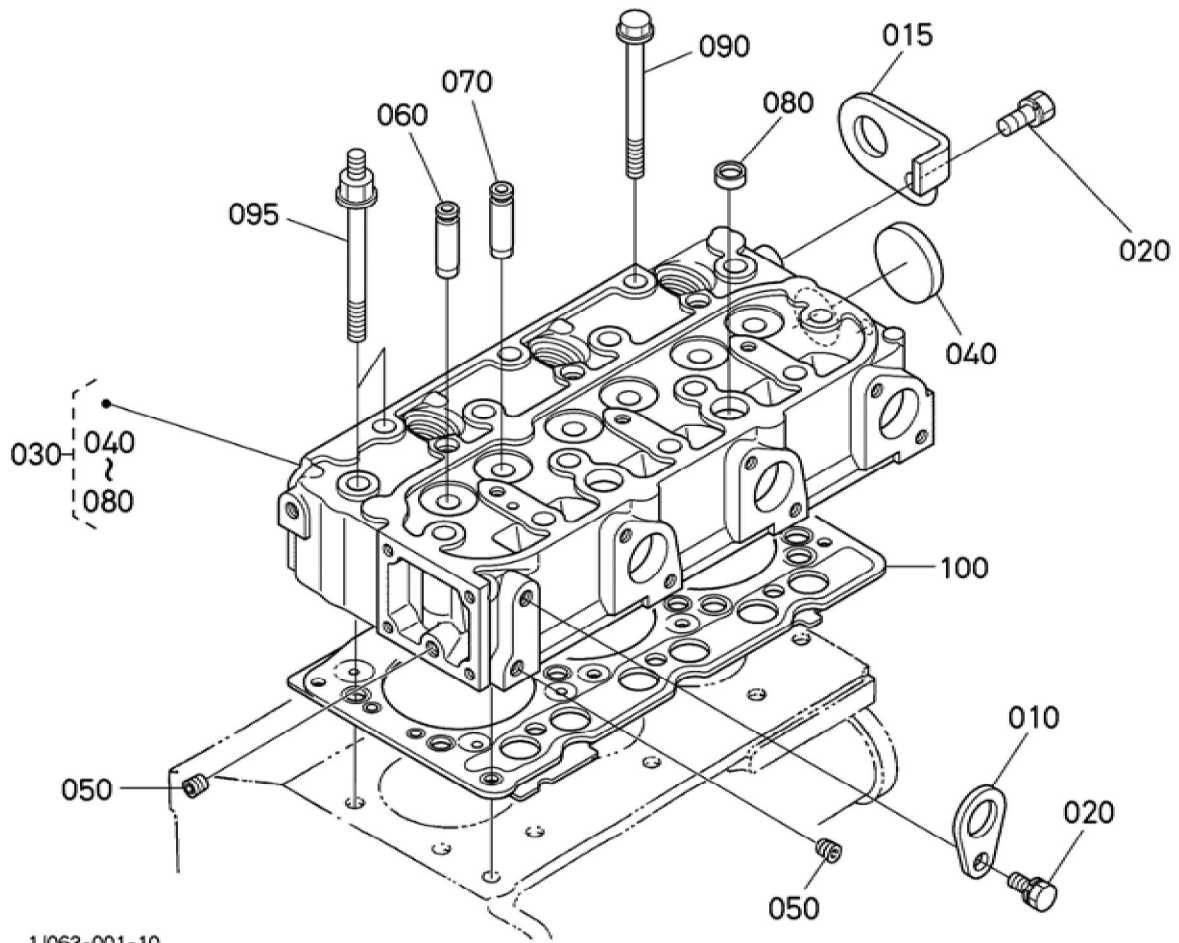
Update Date : 28-05-2020 Print Date : 06-04-2022



Update Date : 28-05-2020 Print Date : 06-04-2022

No.	Part Number	Part Name (POL)	Part Name (ENG)	QTY	IC	Serial No./PIN	Kg	Remarks
010	1G069-01500	KOMP.OELW ANNE	COMP.OIL PAN	1			1.380	
020	13901-33750	ENTLEERUN GSSTOPFEN	PLUG,DRAIN	1			0.025	
030	6C090-58960	DICHTUNGSP LATTE	GASKET	1			0.005	
040	01023-50614	BOLZEN	BOLT,SEMS	22			0.005	
050	16261-32117	OELFILTER	FILTER,OIL	1			0.210	
060	01123-50816	SCHRAUBE	BOLT,SEMS	1			0.011	
070	04814-00160	O RING	O RING	1			0.001	

Update Date : 28-05-2020 Print Date : 06-04-2022



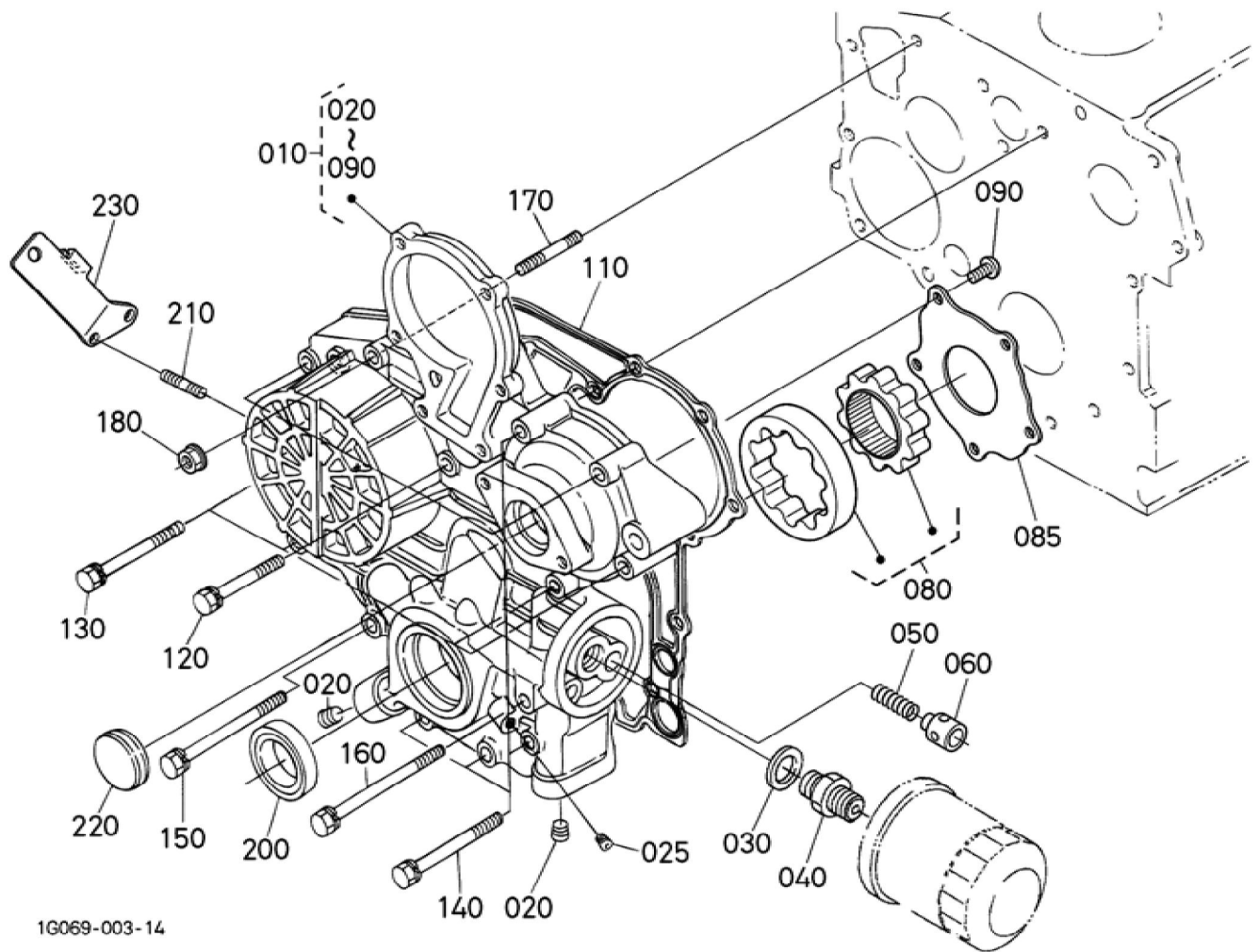
1J063-001-10

## BKIDA5185 &gt;&gt; ZD1211R-2-EU-S5 &gt;&gt; MOTOR / ENGINE &gt;&gt; 000300 ZYLINDERKOPF / CYLINDER HEAD

Update Date : 28-05-2020 Print Date : 06-04-2022

No.	Part Number	Part Name (POL)	Part Name (ENG)	QTY	IC	Serial No./PIN	Kg	Remarks
010	15221-01750	MOTORHAKEN	HOOK,ENGINE	1			0.040	
015	1G069-01752	MOTORHAKEN	HOOK,ENGINE	1			0.114	
020	01123-50814	BOLZEN	BOLT,SEMS	2			0.010	
030	1J096-03040	KOMP.ZYLINDERKOPF	HEAD,CYLINDER	1			9.300	
040	15321-96260	KAPPE	CAP,SEALING	1			0.014	
050	15261-96010	STOPFEN	PLUG	2			0.002	
060	16261-13540	EINLASSVENTILFUEHRUNG	GUIDE,INLET VALVE	3			0.020	
070	16261-13560	AUSLASSVENTILFUEHRUNG	GUIDE,EXHAUST VALVE	3			0.019	
080	15261-03370	STOEPSSEL,ABDICHTUNG	CAP,SEALING	2			0.005	
090	16241-03450	ZYLINDERKOPFSCHRAUBE	BOLT,HEAD (CYLINDER)	12			0.050	
095	16216-03450	ZYLINDERKOPFSCHRAUBE	BOLT,CYLINDER HEAD	2			0.070	
100	1G063-03310	ZYLINDERKOPFDICHTUNG	GASKET (HEAD,CYL)	1			0.160	

Update Date : 28-05-2020 Print Date : 06-04-2022



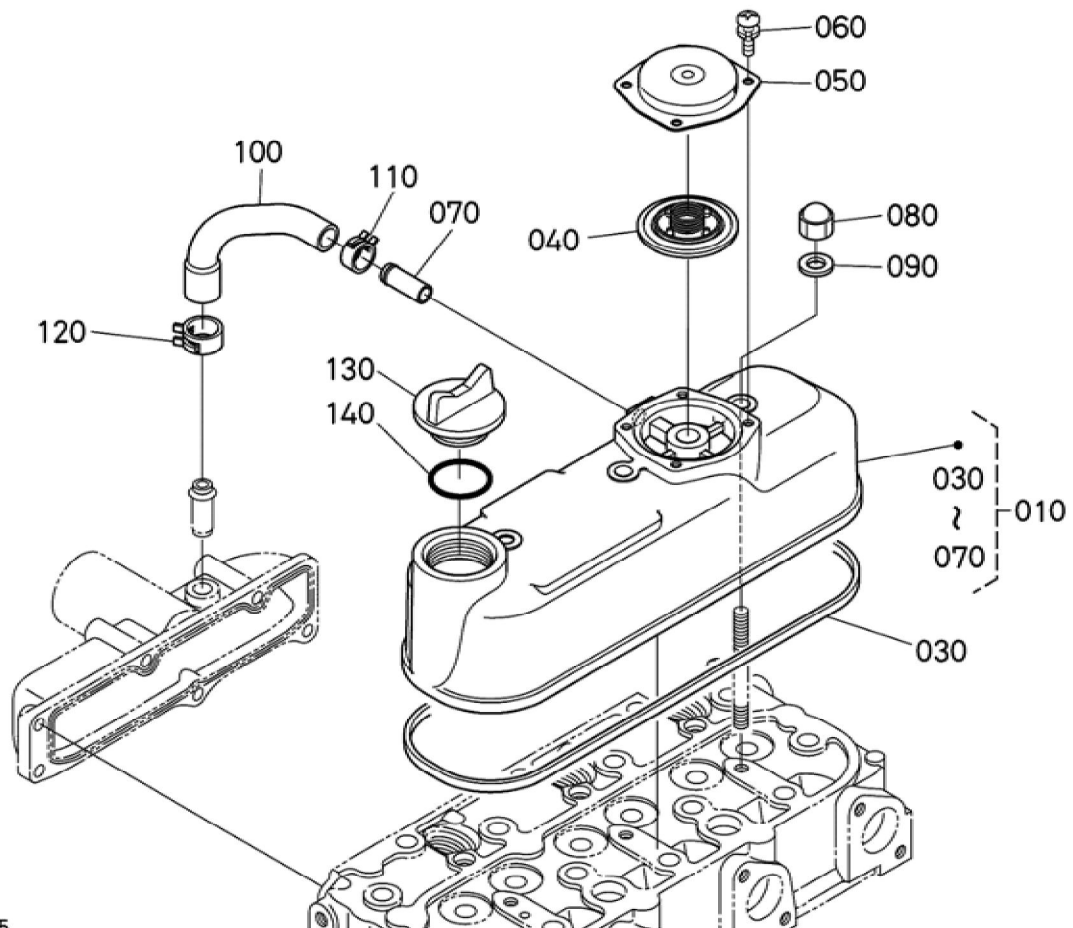
1G069-003-14

Update Date : 28-05-2020 Print Date : 06-04-2022

No.	Part Number	Part Name (POL)	Part Name (ENG)	QTY	IC	Serial No./PIN	Kg	Remarks
010	1G063-04023	KMP.GETRIEBEGEHAEUSE	COMP.CASE, GEAR	1			2.500	
020	16241-96020	STOPFEN	PLUG	2			0.015	
025	15521-96020	STOPFEN	PLUG	1			0.003	
030	04011-50180	SCHEIBE	WASHER,PLAIN	1			0.012	
040	15241-32290	VERBINDUNGSSTUECK	JOINT,PIPE	1			0.053	
050	1J050-36950	FEDER	SPRING	1			0.004	
060	1J050-36930	UEBERLAUFVENTIL	VALVE (RELIEF)	1			0.005	
080	1J050-35070	ROTOR KOMP.	ROTOR,ASSY (OIL PUMP)	1			0.244	
085	1J050-35132	DECKEL, OELPUMPE	COVER(OIL PUMP)	1			0.085	
090	03017-50614	SCHRAUBE	SCREW,BINDING(PHILLIPS)	5			0.005	
110	16264-04132	DICHTUNG	GASKET,GEAR CASE	1			0.010	
120	01023-50645	BOLZEN	BOLT,SEMS	3			0.010	
130	01023-50650	BOLZEN	BOLT,SEMS	4			0.012	
140	01023-50655	BOLZEN	BOLT,SEMS	4			0.012	
150	01023-50665	BOLZEN	BOLT,SEMS	1			0.015	
160	16241-91040	BOLZEN	BOLT	1			0.015	
170	16245-91530	STEBOLZEN	STUD	1			0.010	
180	02751-50060	MUTTER	NUT,FLANGE	1			0.005	
200	16241-04212	OELDICHTUNGSRING	SEAL,OIL	1			0.012	
210	16245-91540	STEBOLZEN	STUD	2			0.005	
220	16264-83342	DECKEL, GETRIEBEGEHAEUSE	COVER,GEAR CASE	1			0.010	
230	K3511-58052	HALTERUNG	SUPPORT,ACCEL.WIRE	1			0.090	



Update Date : 28-05-2020 Print Date : 06-04-2022

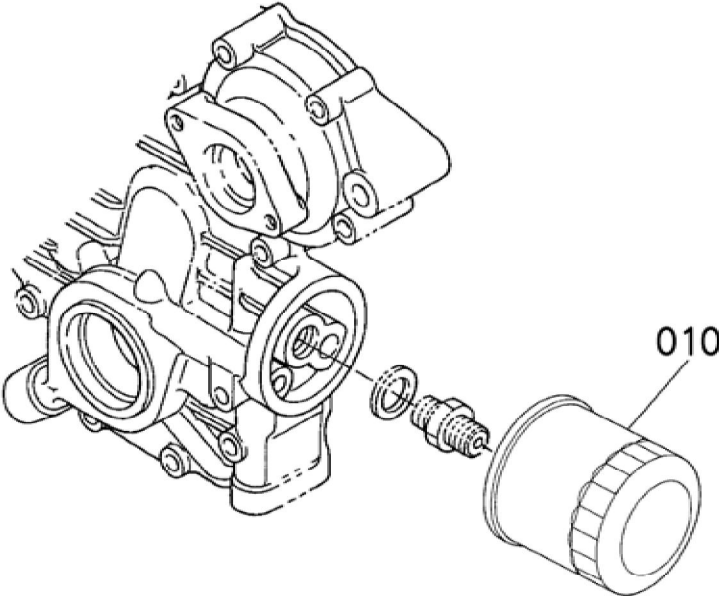


## BKIDA5185 &gt;&gt; ZD1211R-2-EU-S5 &gt;&gt; MOTOR / ENGINE &gt;&gt; 000500 DECKEL OBEN / HEAD COVER

Update Date : 28-05-2020 Print Date : 06-04-2022

No.	Part Number	Part Name (POL)	Part Name (ENG)	QTY	IC	Serial No./PIN	Kg	Remarks
010	1G032-14580	DECKEL OBEN,KOMP.	COVER,HEAD ,ASSY	1			0.800	
030	16261-14524	VENTILDECK ELDICHTUNG	GASKET,HEA D COVER	1			0.010	
040	1G911-05203	ENTLUEFTER	COMP VALVE,BREA THER	1			0.010	
050	1G801-05120	ENTLUEFTER DECKEL	COVER,BREA THER	1			0.035	
060	03024-50510	SCHRAUBE	SCREW,SEM S(PAN HEAD)	4			0.002	
070	17331-73342	WASSERROH R	PIPE,WATER RETURN	1			0.010	
080	15952-92330	MUTTER	NUT,CAP	3			0.010	
090	15951-96660	DICHTUNGSP LATTE	PACKING	3			0.001	
100	1G032-05512	ENTLUFTUN GSROHR	TUBE,BREAT HER	1			0.017	
110	09318-88150	SCHLAUCHBI NDER	CLAMPHOSE	1			0.004	
120	16259-05580	SCHLAUCHBI NDER	BAND,PIPE	1			0.030	
130	E9151-33140	OELEINFUEL LSTOPFEN	PLUG(OIL FILLER)	1			0.017	
140	1J001-96770	O RING	O RING	1			0.001	

Update Date : 28-05-2020 Print Date : 06-04-2022



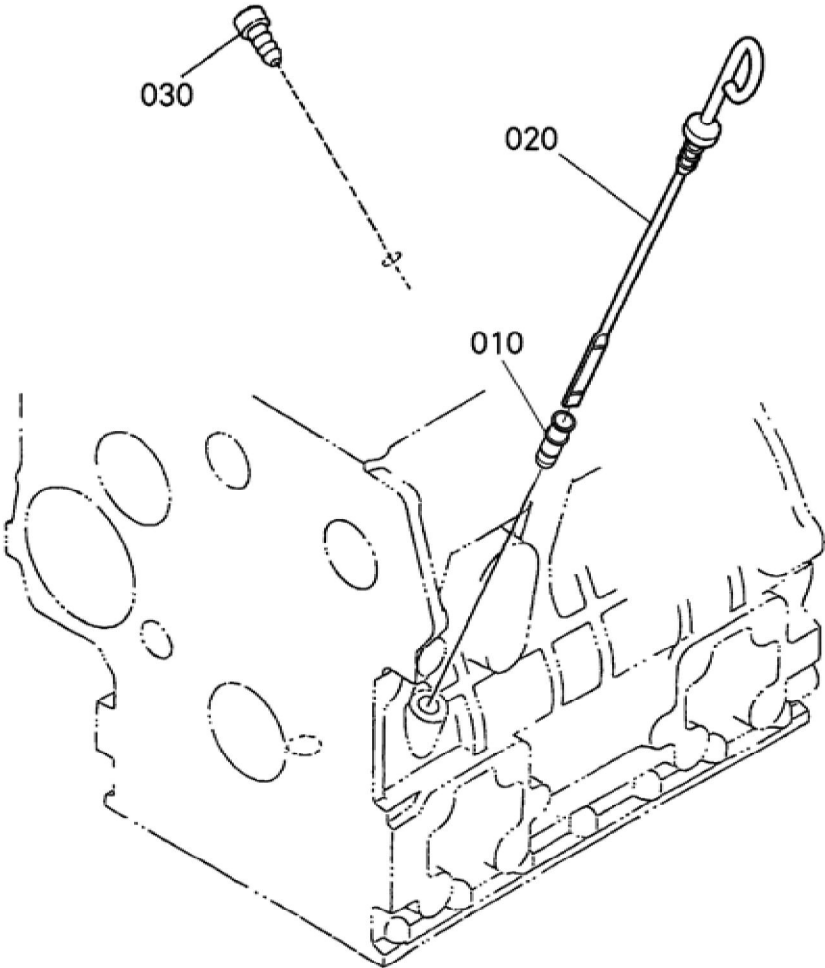
16615-003-11

BKIDA5185 >> ZD1211R-2-EU-S5 >> MOTOR / ENGINE >> 000600 OELFILTER / OIL FILTER

Update Date : 28-05-2020 Print Date : 06-04-2022

No.	Part Number	Part Name (POL)	Part Name (ENG)	QTY	IC	Serial No./PIN	Kg	Remarks
010	HH150-32094	OELFILTERP ATRONE	CARTRIDGE OIL FILTER	1			0.300	

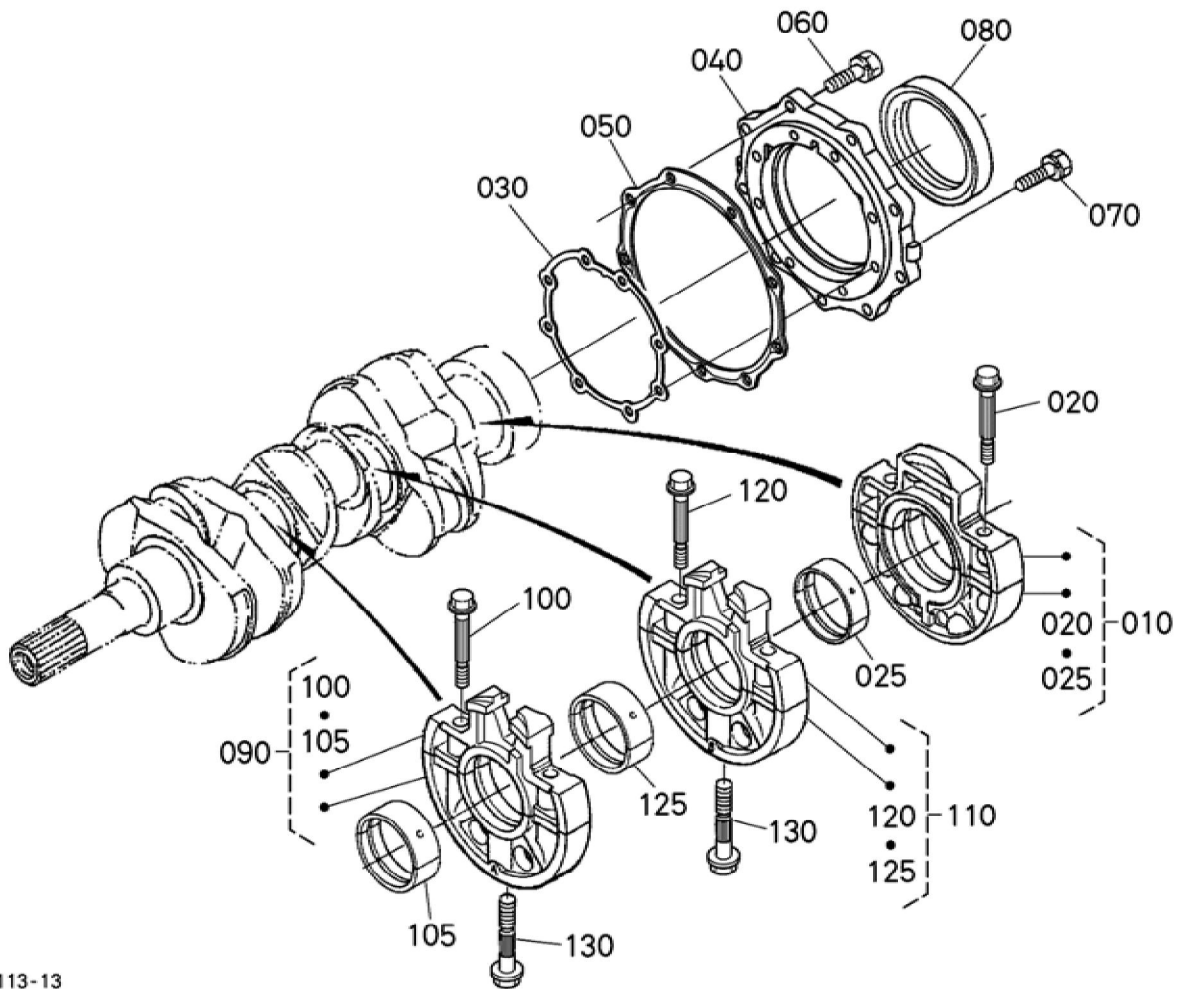
Update Date : 28-05-2020 Print Date : 06-04-2022



Update Date : 28-05-2020 Print Date : 06-04-2022

No.	Part Number	Part Name (POL)	Part Name (ENG)	QTY	IC	Serial No./PIN	Kg	Remarks
010	16809-36420	FUEHRUNG, OELMESSST AB	GUIDE (GAUGE,OIL)	1			0.028	
020	16206-36412	OELMESSST AB	GAUGE,OIL	1			0.100	
030	1G513-36550	STOPFEN, OELMESSST AB	PLUG,OIL GAUGE	1			0.004	

Update Date : 28-05-2020 Print Date : 06-04-2022





**Download the full PDF manual instantly.**

**Our customer service e-mail:**

**[aservicemanualpdf@yahoo.com](mailto:aservicemanualpdf@yahoo.com)**