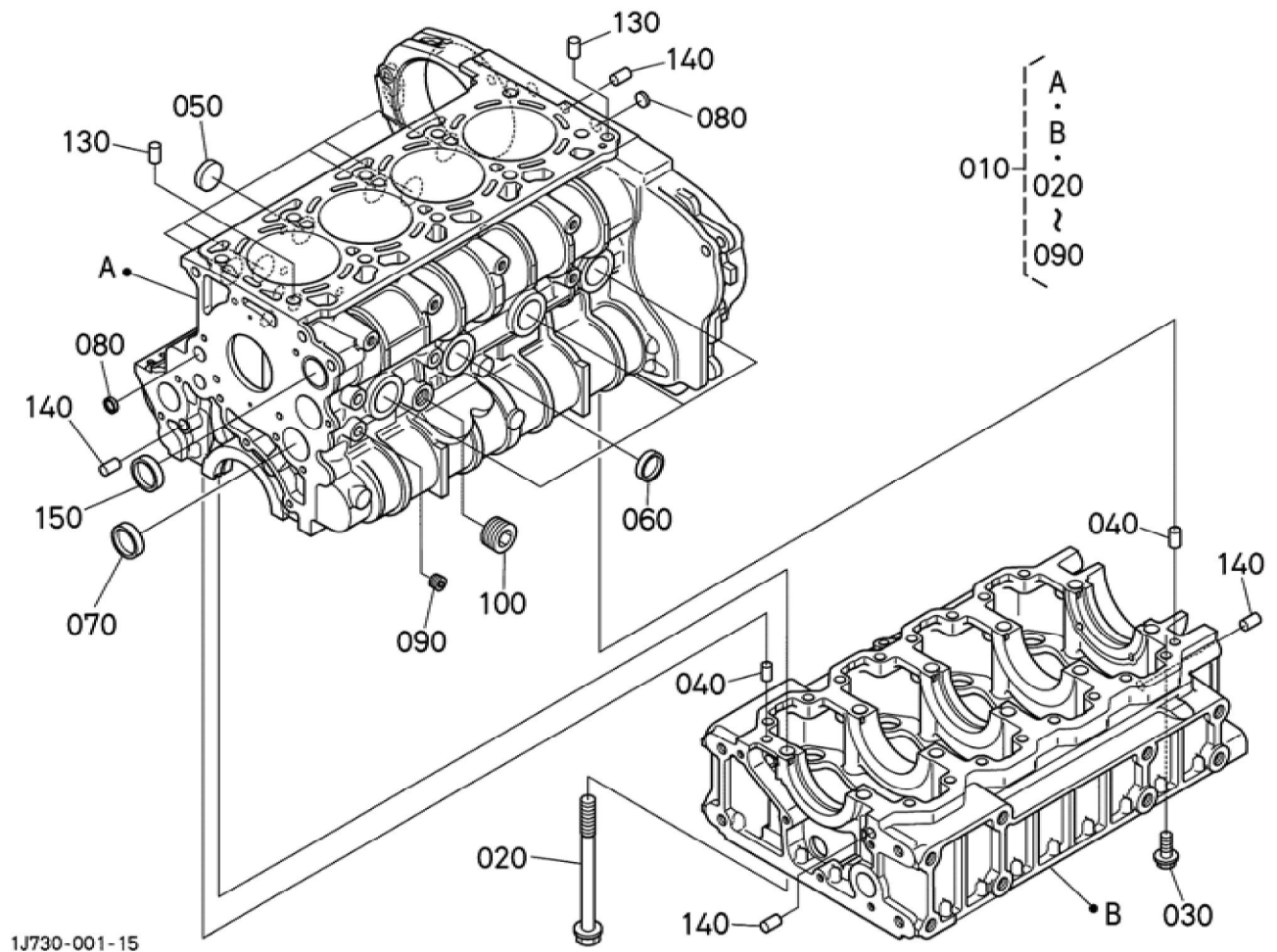


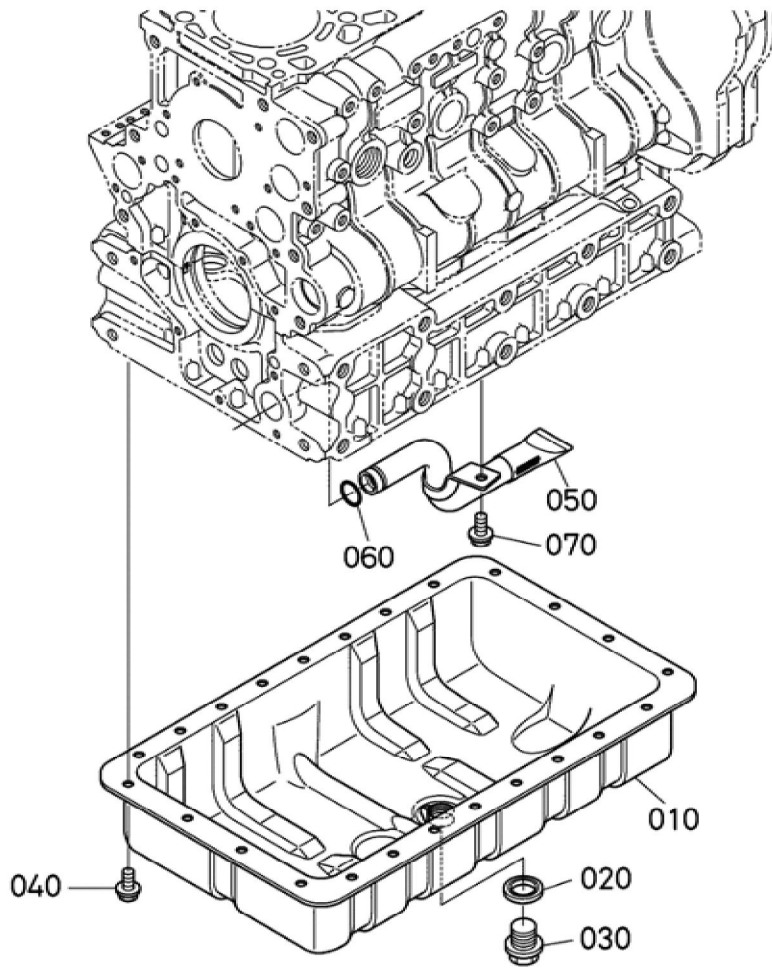
Update Date : 26-03-2020 Print Date : 01-03-2022



1J730-001-15

Update Date : 26-03-2020 Print Date : 01-03-2022

No.	Part Number	Part Name (POL)	Part Name (ENG)	QTY	IC	Serial No./PIN	Kg	Remarks
010	1J730-01020	GRP. KURBELGEH AEUSE	ASSY CRANKCASE	1			78.000	
020	1J700-04560	BOLZEN	BOLT,CRANK CASE	10			0.145	
030	01774-51035	SCHRAUBE	BOLT,FLANG E	16			0.030	
040	05012-01016	ZYLINDERSTI FT	PIN STRAIGHT	2			0.010	
050	06311-85025	STOEPSEL,A BDICHTUNG	CAP,SEALING	6			0.010	
060	15321-96260	KAPPE	CAP,SEALING	4			0.014	
070	15221-03490	STOPFEN	CAP,SEALING	1			0.020	
080	06311-85016	STOEPSEL,A BDICHTUNG	CAP,SEALING	2			0.003	
090	15521-96020	STOPFEN	PLUG	1			0.003	
100	1A021-96020	STOPFEN	PLUG	1			0.020	
130	05012-01016	ZYLINDERSTI FT	PIN STRAIGHT	2			0.010	
140	05012-01016	ZYLINDERSTI FT	PIN STRAIGHT	4			0.010	
150	15221-03490	STOPFEN	CAP,SEALING	1			0.020	

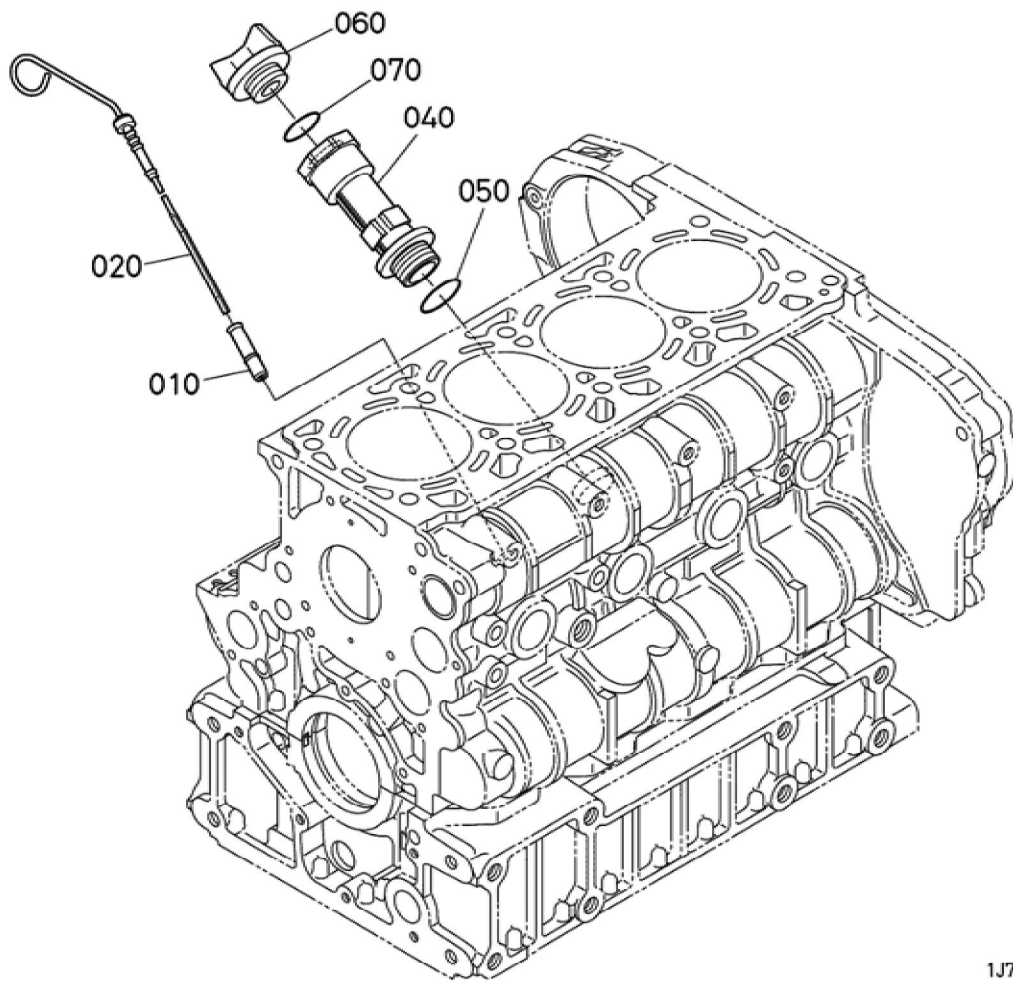


BKIDA5096 >> U55-4(S/N;80001~) >> MOTOR / ENGINE >> 501000 OELWANNE / OIL PAN

Update Date : 26-03-2020 Print Date : 01-03-2022

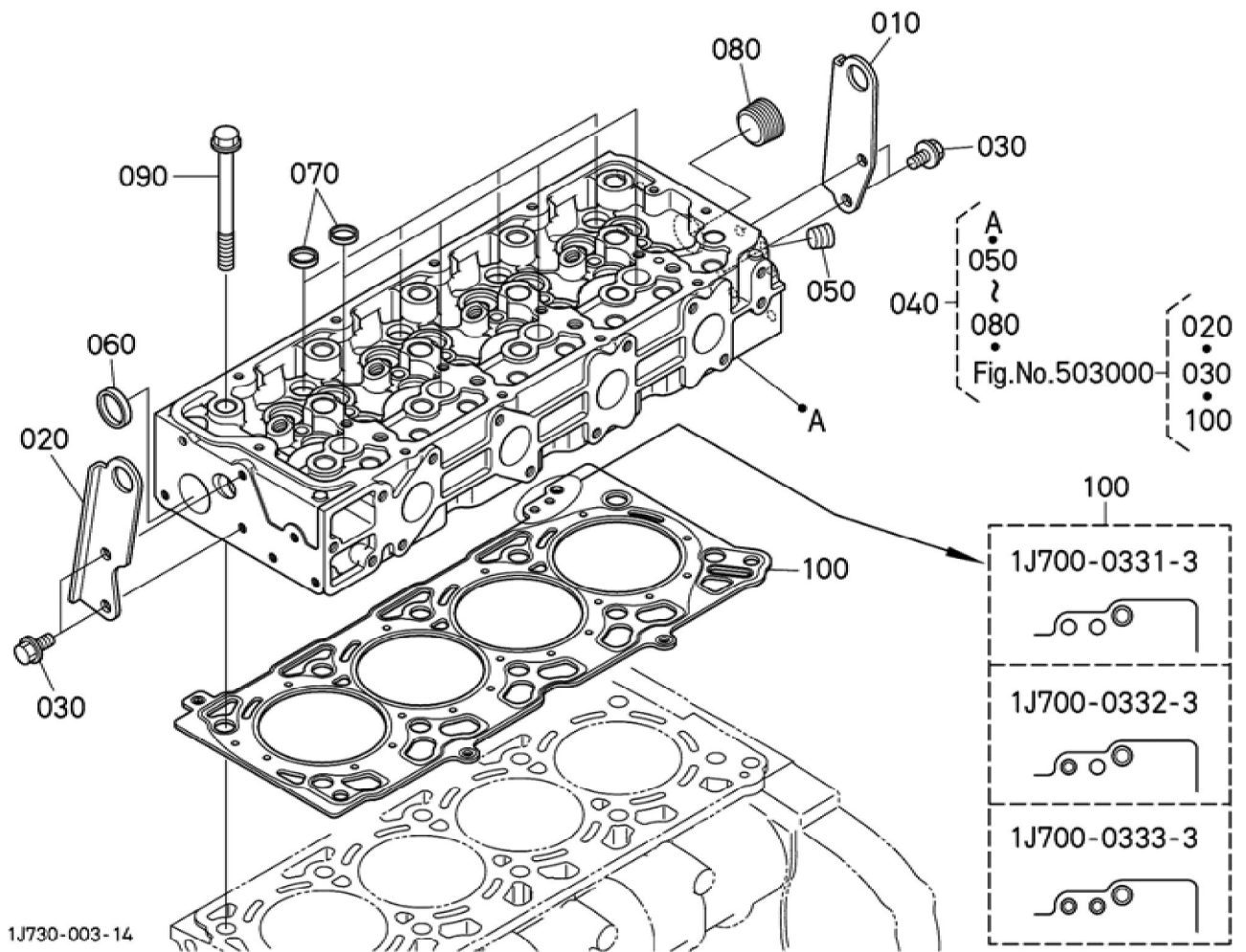
No.	Part Number	Part Name (POL)	Part Name (ENG)	QTY	IC	Serial No./PIN	Kg	Remarks
010	1J730-01500	KOMP.OELW ANNE	COMP.OIL PAN	1			2.700	
020	16265-96670	DICHTUNG	PACKING	1		<=8JRZ999	0.010	
020	04717-02200	GUMMIUNTE RLAGE	WASHER,SEA L	1	>>	>=8JS0001	0.006	
030	15707-33750	ENTLEERUN GSSTOPFEN	PLUG(DRAIN)	1			0.095	
040	01755-50816	SCHRAUBE	BOLT,FLANG E	24			0.013	
050	1J700-32110	OELFILTER	FILTER,OIL	1			0.235	
060	04815-00180	O RING	O RING	1			0.003	
070	01755-50816	SCHRAUBE	BOLT,FLANG E	1			0.013	

Update Date : 26-03-2020 Print Date : 01-03-2022



Update Date : 26-03-2020 Print Date : 01-03-2022

No.	Part Number	Part Name (POL)	Part Name (ENG)	QTY	IC	Serial No./PIN	Kg	Remarks
010	16809-36420	FUEHRUNG, OELMESSST AB	GUIDE (GAUGE,OIL)	1			0.028	
020	1J700-36410	OELMESSST AB	GAUGE,OIL	1			0.027	
040	15224-33110	OELFILTERFL ANSCH	FLANGE,OIL FILLER	1			0.158	
050	04814-50300	O RING	O RING	1			0.001	
060	E9151-33140	OELEINFUEL LSTOPFEN	PLUG(OIL FILLER)	1			0.017	
070	1J001-96770	O RING	O RING	1			0.001	

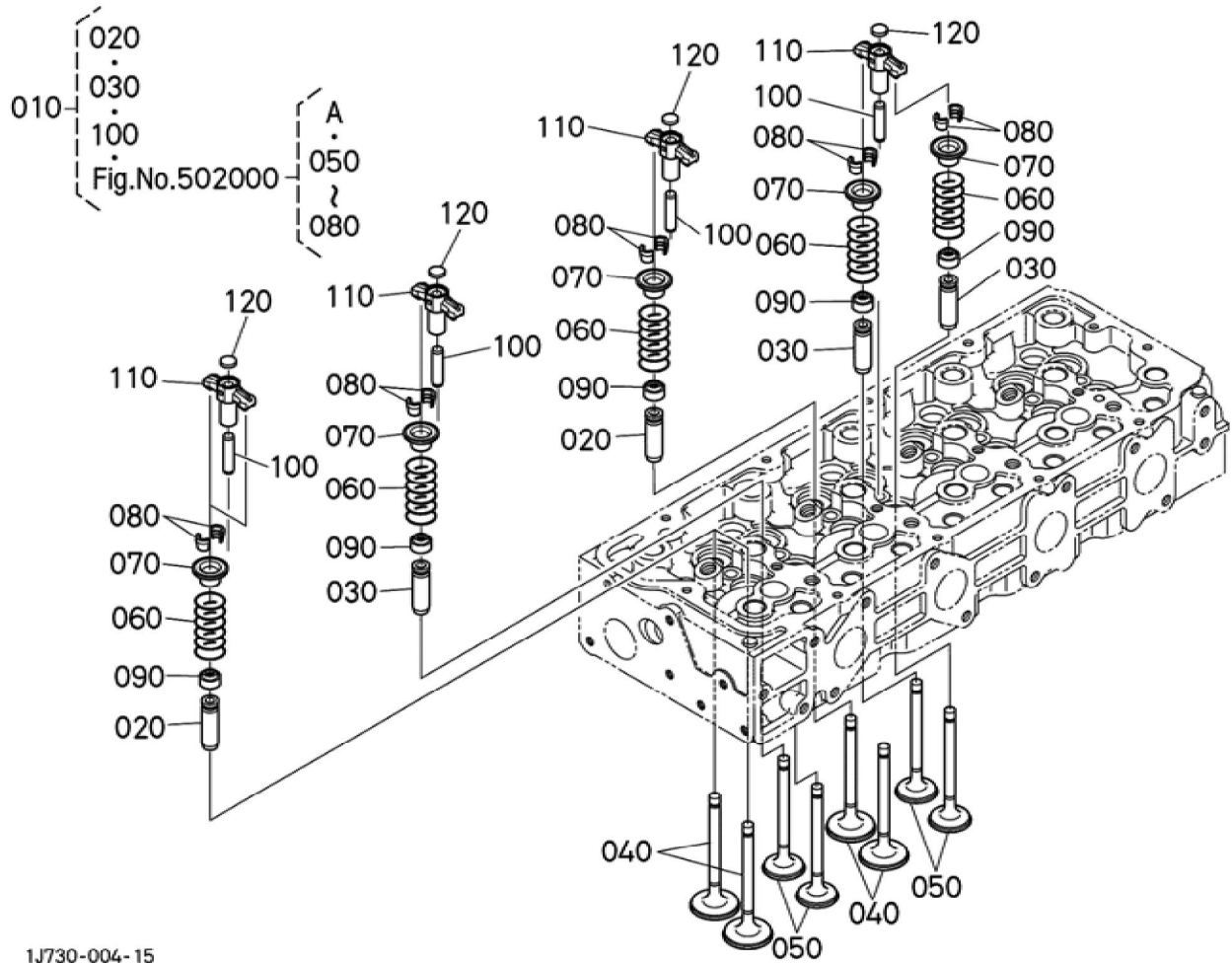


Update Date : 26-03-2020 Print Date : 01-03-2022

No.	Part Number	Part Name (POL)	Part Name (ENG)	QTY	IC	Serial No./PIN	Kg	Remarks
010	1J730-01740	MOTORHAKE N	HOOK,ENGIN E	1			0.250	
020	1J730-01750	MOTORHAKE N	HOOK,ENGIN E	1			0.200	
030	01754-50816	SCHRAUBE	BOLT,FLANG E	4			0.011	
040	1J701-03034	GRP.ZYLINDE RKOPF	ASSY CYLINDER HEAD	1		<=8GVZ999	25.000	ORDER BY REF.No.040 NEW PART
040	1J701-03036	GRP.ZYLINDE RKOPF	ASSY CYLINDER HEAD	1	>>	>=8GW0001	21.015	
050	15521-96020	STOPFEN	PLUG	1			0.003	
060	15321-96260	KAPPE	CAP,SEALING	1			0.014	
070	16851-96270	KAPPE	CAP,SEALING	8			0.005	
080	16683-96020	STOPFEN	PLUG	1			0.088	
090	1J700-04560	BOLZEN	BOLT,CRANK CASE	10			0.145	
100	1J700-03310	ZYLINDERKO PFDICHTUNG	GASKET,CYLI NDER HEAD	1		<=8JKZ999	0.165	0.1mm
100	1J700-03313	ZYLINDERKO PFDICHTUNG	GASKET,CYLI NDER HEAD	1	>>	>=8JL0001	0.165	0.1mm
100	1J700-03320	ZYLINDERKO PFDICHTUNG	GASKET,CYLI NDER HEAD	1		<=8JKZ999	0.190	0.2mm
100	1J700-03323	ZYLINDERKO PFDICHTUNG	GASKET,CYLI NDER HEAD	1	>>	>=8JL0001	0.190	0.2mm
100	1J700-03330	ZYLINDERKO PFDICHTUNG	GASKET,CYLI NDER HEAD	1		<=8JKZ999	0.220	0.3mm
100	1J700-03333	ZYLINDERKO PFDICHTUNG	GASKET,CYLI NDER HEAD	1	>>	>=8JL0001	0.220	0.3mm



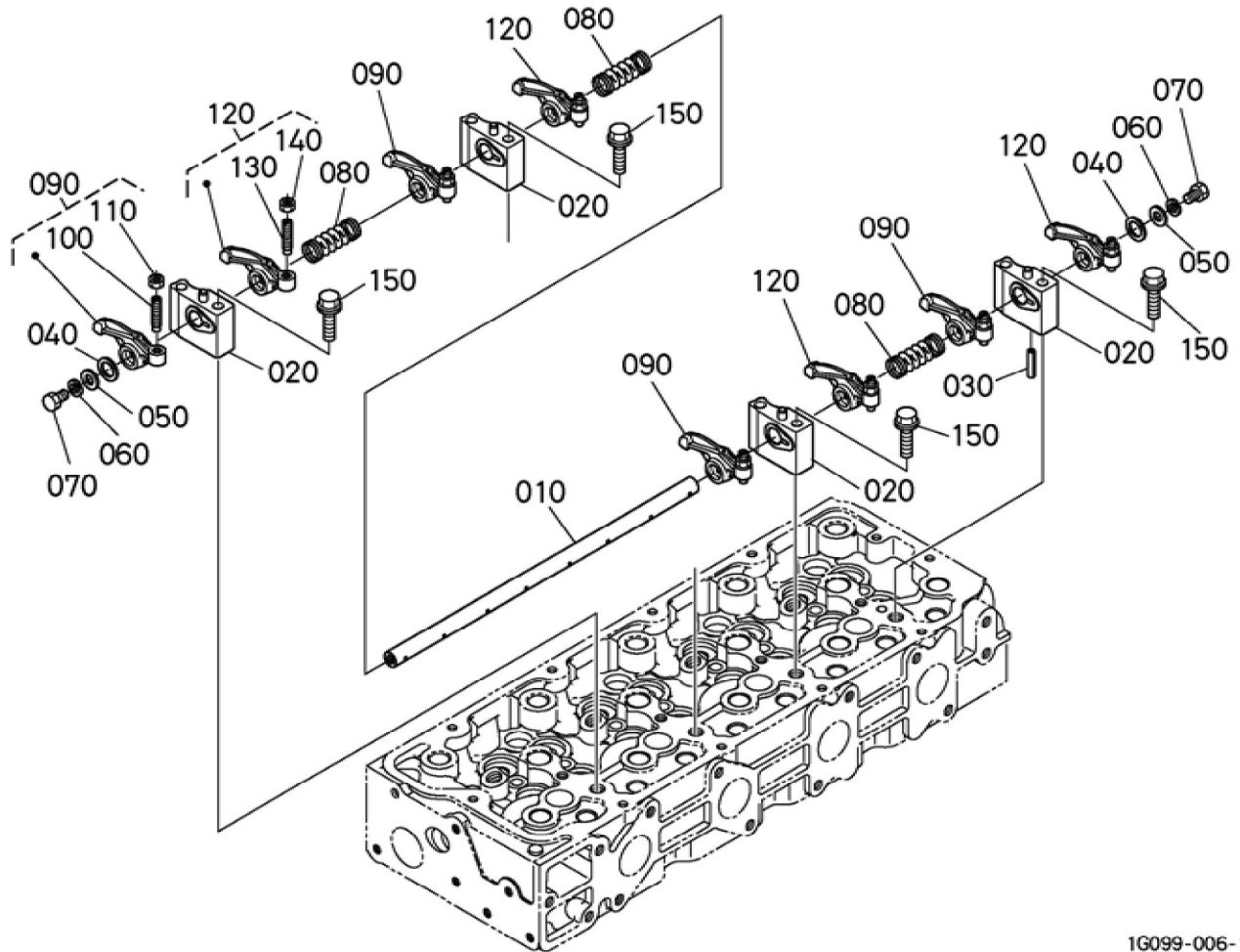
Update Date : 26-03-2020 Print Date : 01-03-2022



Update Date : 26-03-2020 Print Date : 01-03-2022

No.	Part Number	Part Name (POL)	Part Name (ENG)	QTY	IC	Serial No./PIN	Kg	Remarks
010	1J701-03034	GRP.ZYLINDERKOPF	ASSY CYLINDER HEAD	1		<=8GVZ999	25.000	ORDER BY REF.No.010 NEW PART
010	1J701-03036	GRP.ZYLINDERKOPF	ASSY CYLINDER HEAD	1	>>	>=8GW0001	21.015	
020	1J700-13540	EINLASSVENTILFUEHRUNG	GUIDE,VALVE ,INLET	8			0.014	
030	1J700-13560	AUSLASSVENTILFUEHRUNG	GUIDE,VALVE ,EXHAUST	8			0.014	
040	1J700-13110	EINLASSVENTIL	VALVE,INLET	8		<=8HHZ999	0.040	
040	1J700-13113	VENTIL	VALVE,INLET	8	>>	>=8HJ0001	0.040	
050	1J700-13120	AUSLASSVENTIL	VALVE,EXHAUST	8		<=8HHZ999	0.035	
050	1J700-13123	AUSLASSVENTIL	VALVE,EXHAUST	8	>>	>=8HJ0001	0.035	
060	1J700-13240	VENTIL-FEDER	SPRING,VALVE	16		<=8HRZ999	0.018	
060	1J705-13240	VENTIL-FEDER	SPRING	16	NI	>=8HS0001	0.010	
070	14601-13330	FEDER, HALTEBUEGEL	RETAINER (VALVE SPRING)	16			0.010	
080	14601-13980	KLEMMSCHEIBE	COLLET,VALVE SPRING	16			0.001	SET
090	11420-13150	VENTILDICHTUNG	SEAL (VALVE STEM)	16			0.002	
100	1J700-13480	WELLE	SHAFT,VALVE	8			0.016	
110	1J700-13462	HUBARM, VENTIL	ARM,VALVE BRIGE	8		<=8HBZ999	0.039	
110	1J700-13463	HUBARM, VENTIL	ARM,VALVE BRIGE	8	>>	>=8HC0001	0.039	
110	1J705-13460	HUBARM, VENTIL	ARM	8	NI	>=8HS0001	0.040	
120	1J700-13492	PUFFER	PAD	8			0.003	

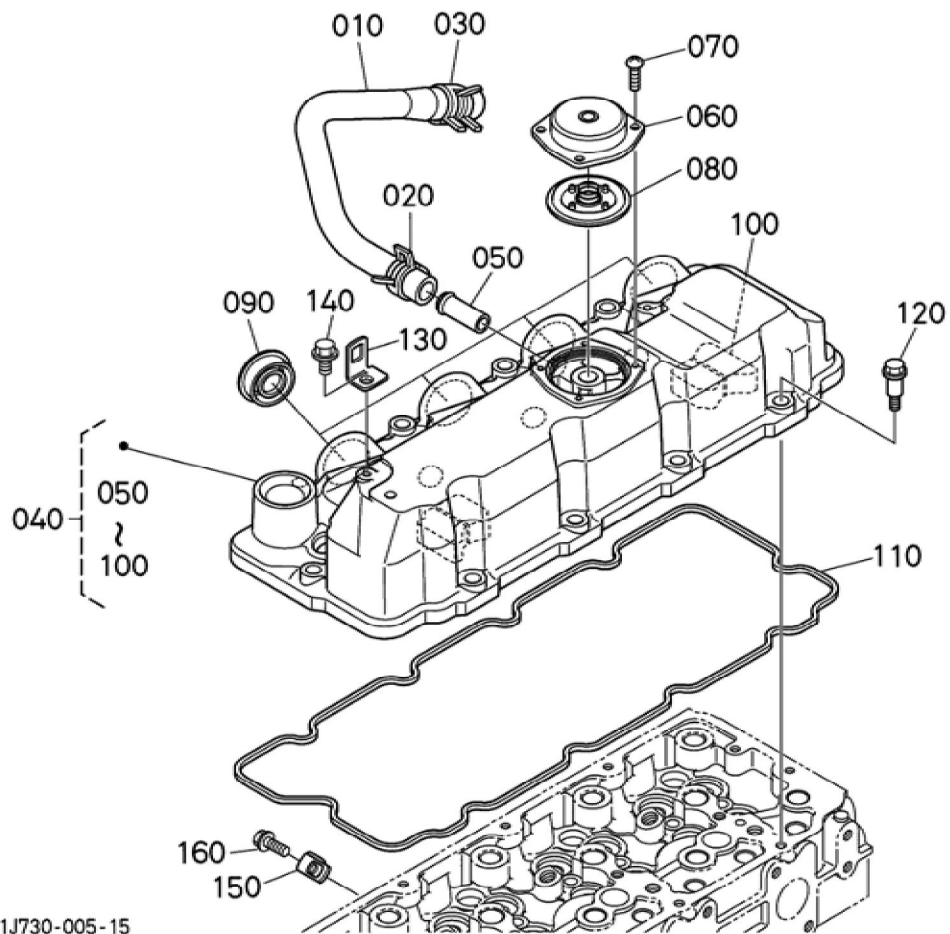
Update Date : 26-03-2020 Print Date : 01-03-2022



Update Date : 26-03-2020 Print Date : 01-03-2022

No.	Part Number	Part Name (POL)	Part Name (ENG)	QTY	IC	Serial No./PIN	Kg	Remarks
010	1J700-14260	KIPPHEBELWELLE	SHAFT,ROCKER ARM	1			0.320	
020	1J700-14350	KIPPHEBELHALTER	BRACKET,ROCKER ARM	4			0.073	
030	05411-00525	STIFT	PIN,SPRING	1			0.002	
040	15221-14430	SCHEIBE	WASHER,R.ARM SHAFT	2			0.002	
050	04013-50080	SCHEIBE	WASHER,PLAIN	2			0.003	
060	04512-50080	FEDERRING	WASHER,SPRING LOCK	2			0.002	
070	01153-50812	BOLZEN	HEX.BOLT	2			0.008	
080	1J700-14310	FEDER	SPRING,ROCKER ARM	3			0.006	
090	1J700-14020	SCHWINGHEBEL	ASSY ROCKER ARM,IN.	4			0.096	
100	1G896-14230	STELLSCHRAUBE	SCREW	4			0.010	
110	15021-14240	MUTTER	NUT	4			0.003	
120	1J700-14150	SCHWINGHEBEL	ASSY ROCKER ARM,EXH.	4			0.092	
130	1G896-14230	STELLSCHRAUBE	SCREW	4			0.010	
140	15021-14240	MUTTER	NUT	4			0.003	
150	01754-50855	SCHRAUBE	BOLT,FLANGE	4			0.020	

Update Date : 26-03-2020 Print Date : 01-03-2022

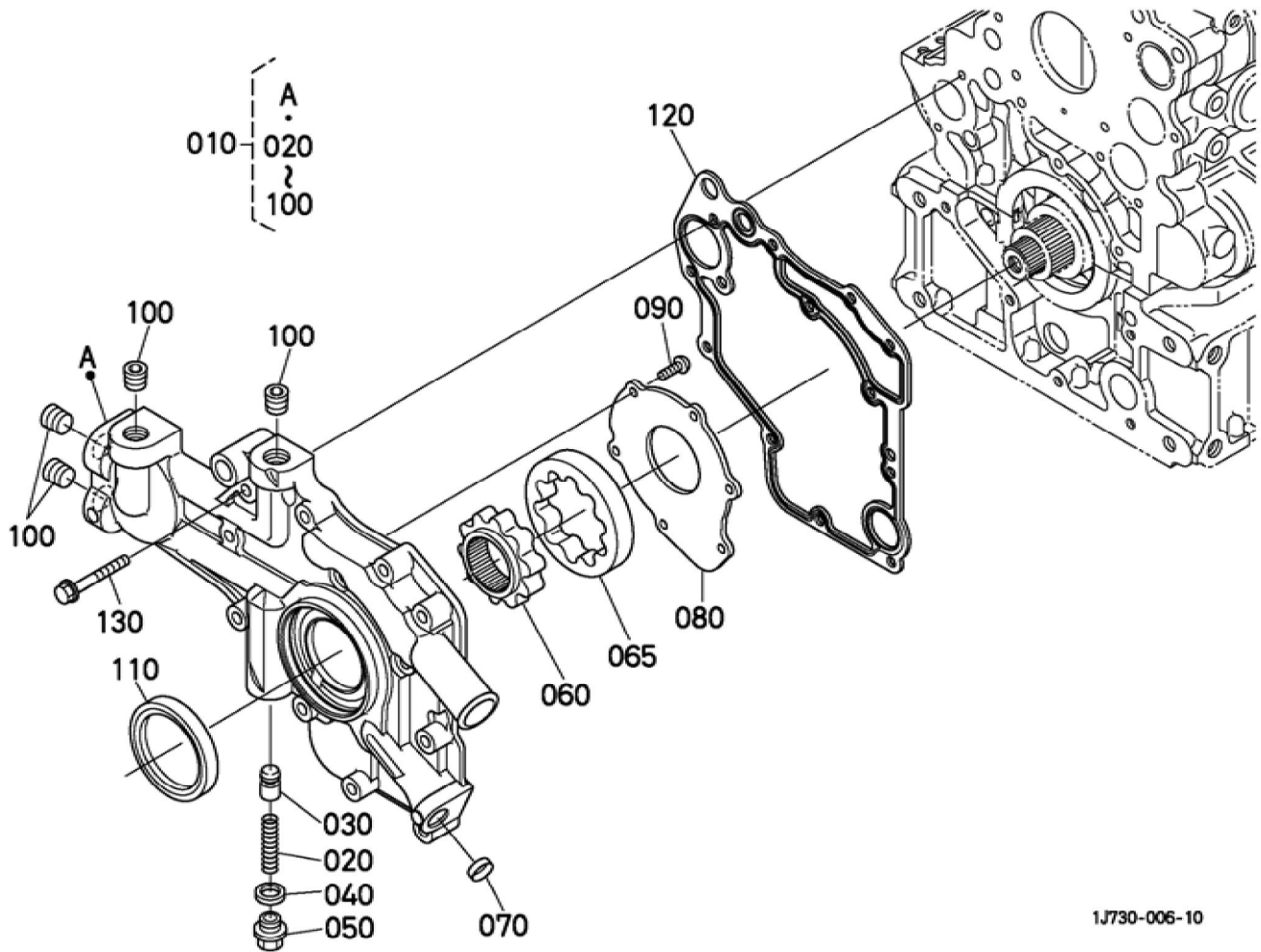


1J730-005-15

Update Date : 26-03-2020 Print Date : 01-03-2022

No.	Part Number	Part Name (POL)	Part Name (ENG)	QTY	IC	Serial No./PIN	Kg	Remarks
010	1J701-05510	ENTLUEFTUNGSRÖHR	TUBE,BREATH ER	1			0.045	
020	09318-88155	SCHLAUCHBI NDER	CLAMP, HOSE	1			0.005	
030	09318-88180	SCHLAUCHBI NDER	BAND,HOSE	1			0.010	
040	1J710-14502	VENTILDECK EL	ASSY COVER,CYL. HEAD	1			2.020	
050	17331-73342	WASSERROH R	PIPE,WATER RETURN	1			0.010	
060	1G801-05120	ENTLUEFTER DECKEL	COVER,BREA THER	1			0.035	
070	03054-50510	SCHRAUBE	SCREW,PAN HEAD (PHILLIPS)	4			0.003	
080	1G911-05203	ENTLUEFTER	COMP VALVE,BREA THER	1			0.010	
090	1C020-53810	DICHTUNG	SEAL,INJECTI ON PIPE	4			0.016	
100	16241-05670	ENTLUEFTUNGSELEMENT	ELEMENT (BREATH ER)	3			0.010	
110	1J700-14520	VENTILDECK ELDICHTUNG	GASKET,HEA D COVER	1			0.040	
120	1G911-91022	BOLZEN	BOLT	10			0.015	
130	RD809-53820	PLATTE	PLATE,CLAM P	1		<=8KDZ999	0.012	
130	1J702-65330	HALTER	BRACKET (WH,10)	1	>>	>=8KE0001	0.007	
140	01755-50610	SCHRAUBE	BOLT,FLANG E	1			0.006	
150	RD809-53820	PLATTE	PLATE,CLAM P	1		<=8KDZ999	0.012	
150	1J702-65330	HALTER	BRACKET (WH,10)	1	>>	>=8KE0001	0.007	
160	01755-50610	SCHRAUBE	BOLT,FLANG E	1			0.006	

Update Date : 26-03-2020 Print Date : 01-03-2022



1J730-006-10



**Download the full PDF manual instantly.**

**Our customer service e-mail:**

**[aservicemanualpdf@yahoo.com](mailto:aservicemanualpdf@yahoo.com)**