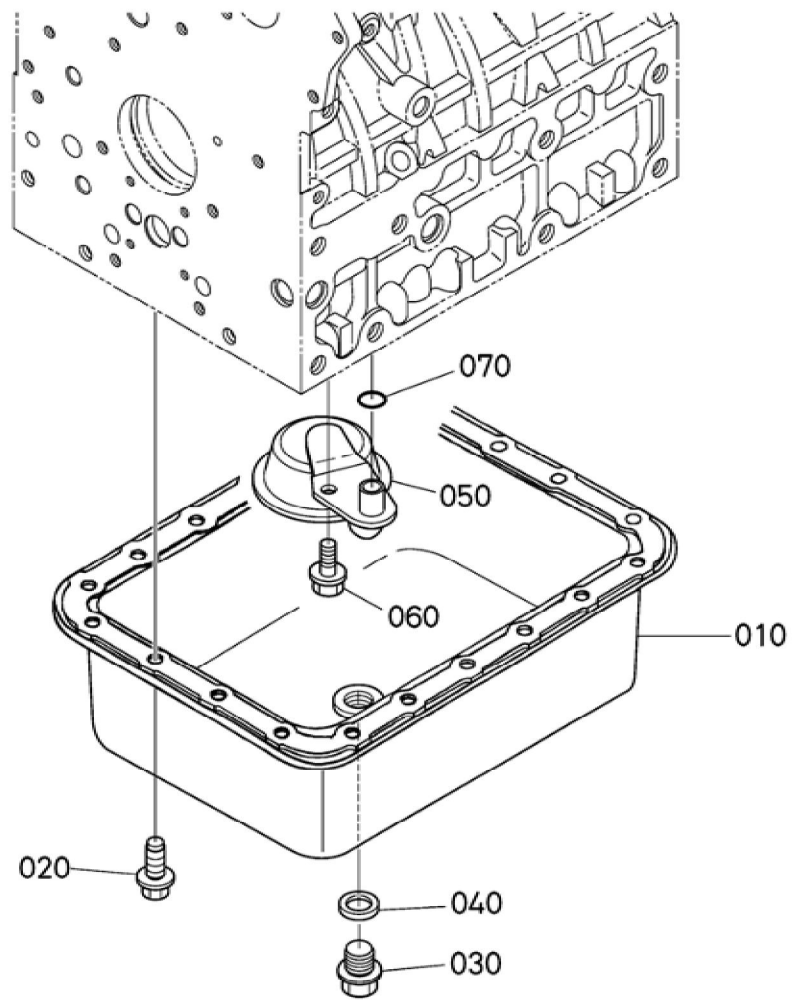


## BKIDA5194 &gt;&gt; U50-5 &gt;&gt; MOTOR / ENGINE &gt;&gt; 500000 KURBELGHAEUSE / CRANKCASE

Update Date : 26-06-2020 Print Date : 01-03-2022

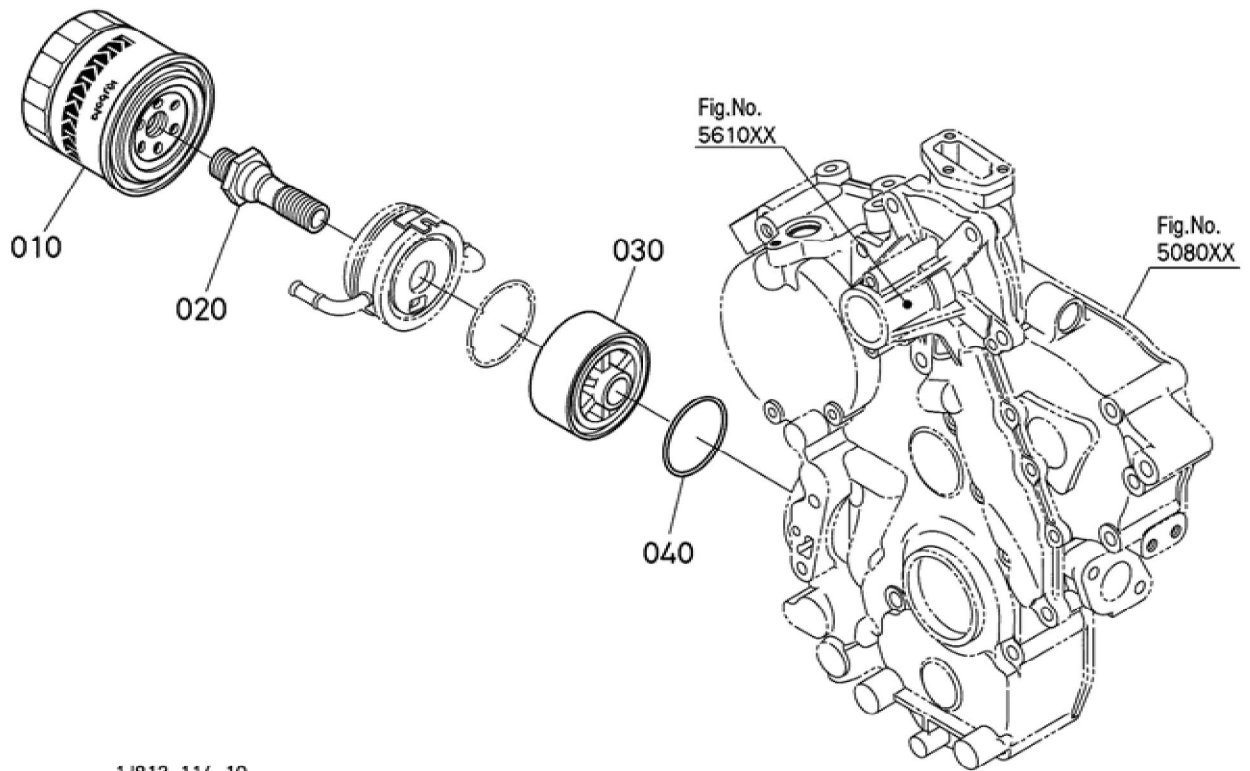
No.	Part Number	Part Name (POL)	Part Name (ENG)	QTY	IC	Serial No./PIN	Kg	Remarks
010	1J805-01013	KOMP.KURBELGEHAEUSE	CRANKCASE, COMP	1			50.000	
020	15521-96020	STOPFEN	PLUG	4			0.003	
030	15521-96030	STOPFEN	PLUG	2			0.007	
040	17391-96160	STOPFEN	PLUG,EXPANSION	3			0.003	
050	16271-96160	STOPFEN	PLUG,EXPANSION	1			0.025	
060	15221-03380	STOPFEN	CAP,SEALING	3			0.017	
070	1J860-71010	KOMP.WASSERROHR	PIPE,COMP	2			0.063	
071	17331-73342	WASSERROHR	PIPE,WATER RETURN	2			0.010	
080	15221-03390	STOPFEN	CAP,SEALING	2			0.030	
090	05012-00609	ZYLINDERSTIFT	PIN,STRAIGHT	2			0.003	
100	05012-00612	ZYLINDERSTIFT	PIN, STRAIGHT	2			0.003	
110	05012-01018	ZYLINDERSTIFT	PIN,STRAIGHT	1			0.012	
120	15221-33650	ROHRSTIFT	PIN,PIPE	1			0.004	
130	15321-73340	WASSERROHR	PIPE(WATER RETURN)	1			0.016	
140	1J801-05840	KOMP.ROHR	PIPE,COMP (OIL RETURN)	1			0.060	
150	1E013-35013	GRP.OELPUMPE	ASSY PUMP,OIL	1			0.570	
160	1A021-35150	DICHTUNGSPLATTE	GASKET,OIL PUMP	1			0.001	
170	01023-50650	BOLZEN	BOLT,SEMS	4			0.012	
180	1G896-35660	ZAHNRAD	GEAR,OIL PUMP DRIVE	1			0.135	
190	05712-00410	KEIL	KEY,FEATHER	1			0.001	
200	15221-35682	MUTTER	NUT	1			0.014	



## BKIDA5194 &gt;&gt; U50-5 &gt;&gt; MOTOR / ENGINE &gt;&gt; 501000 OELWANNE / OIL PAN

Update Date : 26-06-2020 Print Date : 01-03-2022

No.	Part Number	Part Name (POL)	Part Name (ENG)	QTY	IC	Serial No./PIN	Kg	Remarks
010	17077-01615	OELWANNE	OIL PAN	1			1.980	
020	1G861-91010	BOLZEN	BOLT (FLANGE)	20			0.025	
030	15707-33750	ENTLEERUNGSSTOPFEN	PLUG(DRAIN)	1			0.095	
040	15451-96670	DICHTUNG	PACKING	1			0.003	
050	15628-32110	OELFILTER	FILTER,OIL	1			0.225	
060	01754-50812	SCHRAUBE	BOLT,FLANGE	1			0.008	
070	04817-00160	O RING	O RING	1			0.001	

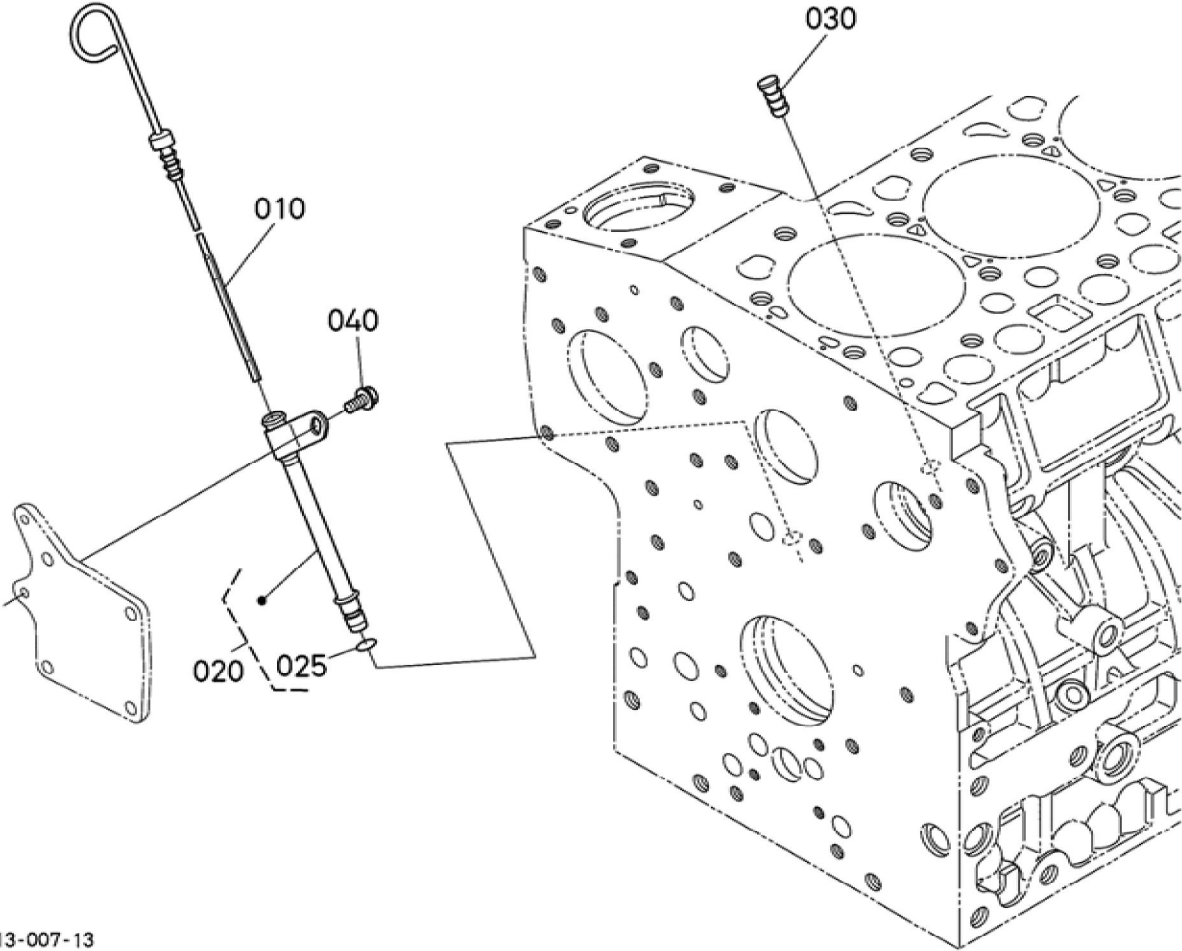


## BKIDA5194 &gt;&gt; U50-5 &gt;&gt; MOTOR / ENGINE &gt;&gt; 501100 OELFILTER / OIL FILTER

Update Date : 26-06-2020 Print Date : 01-03-2022

No.	Part Number	Part Name (POL)	Part Name (ENG)	QTY	IC	Serial No./PIN	Kg	Remarks
010	HH164-32430	OELFILTERP ATRONE	FILTER (CARTRIDGE, OIL)	1			0.500	
020	1J813-37080	ANSCHLUBE	CONNECTOR	1			0.180	
030	1E196-32610	DISTANZSCH EIBE	SPACER, OIL FILTER	1			0.323	
040	19202-96830	O RING	O RING	1			0.010	

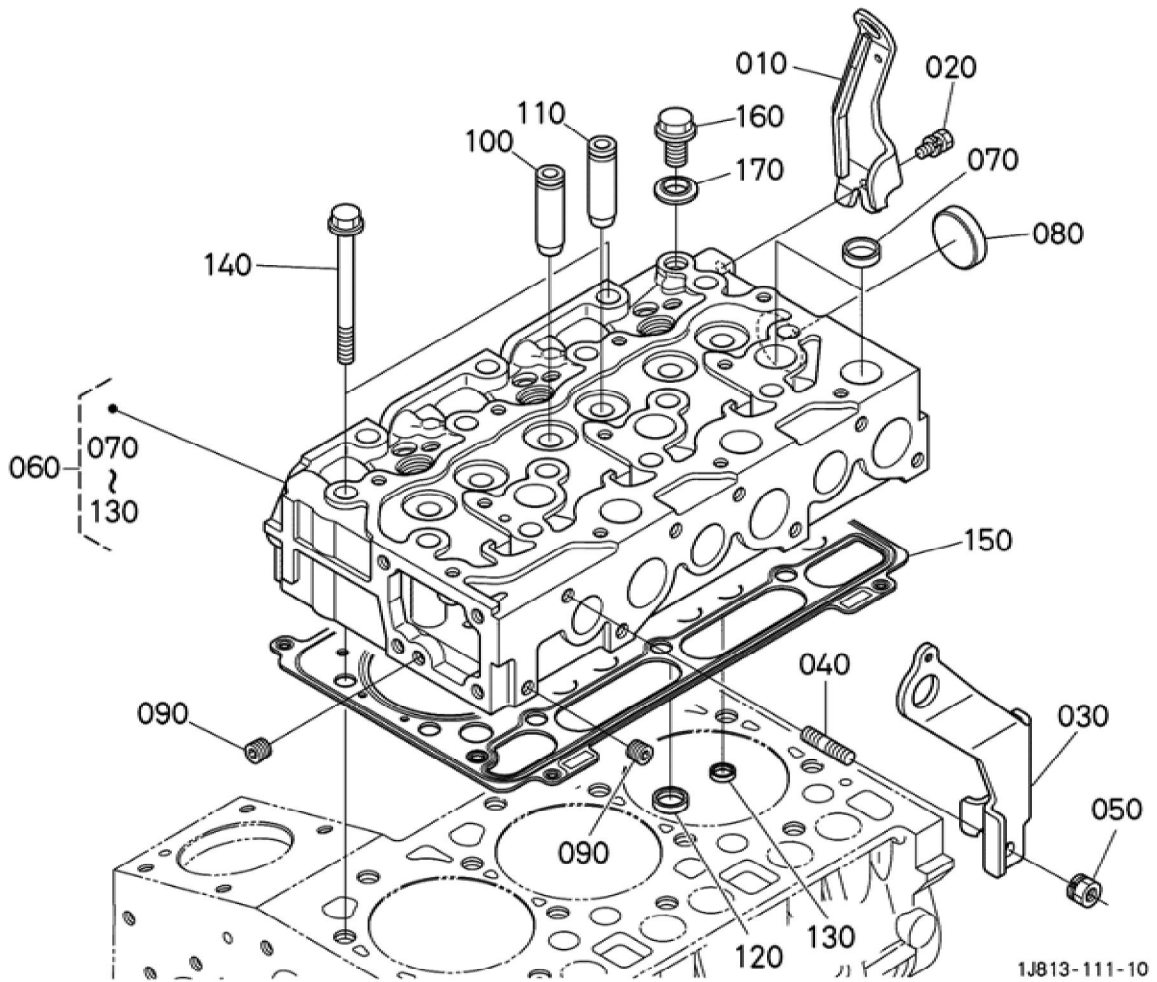
Update Date : 26-06-2020 Print Date : 01-03-2022



Update Date : 26-06-2020 Print Date : 01-03-2022

No.	Part Number	Part Name (POL)	Part Name (ENG)	QTY	IC	Serial No./PIN	Kg	Remarks
010	1J813-36414	OELMESSSTAB	GAUGE,ENG. OIL	1			0.030	
020	1J813-36503	GRP.FUEHRUNG	GUIDE,ASSY (OIL GAUGE)	1			0.065	
025	1J451-35460	O RING	O-RING	1			0.002	
030	1G513-36550	STOPFEN, OELMESSSTAB	PLUG,OIL GAUGE	1			0.004	
040	01754-50612	SCHRAUBE	BOLT,FLANGE	1			0.005	



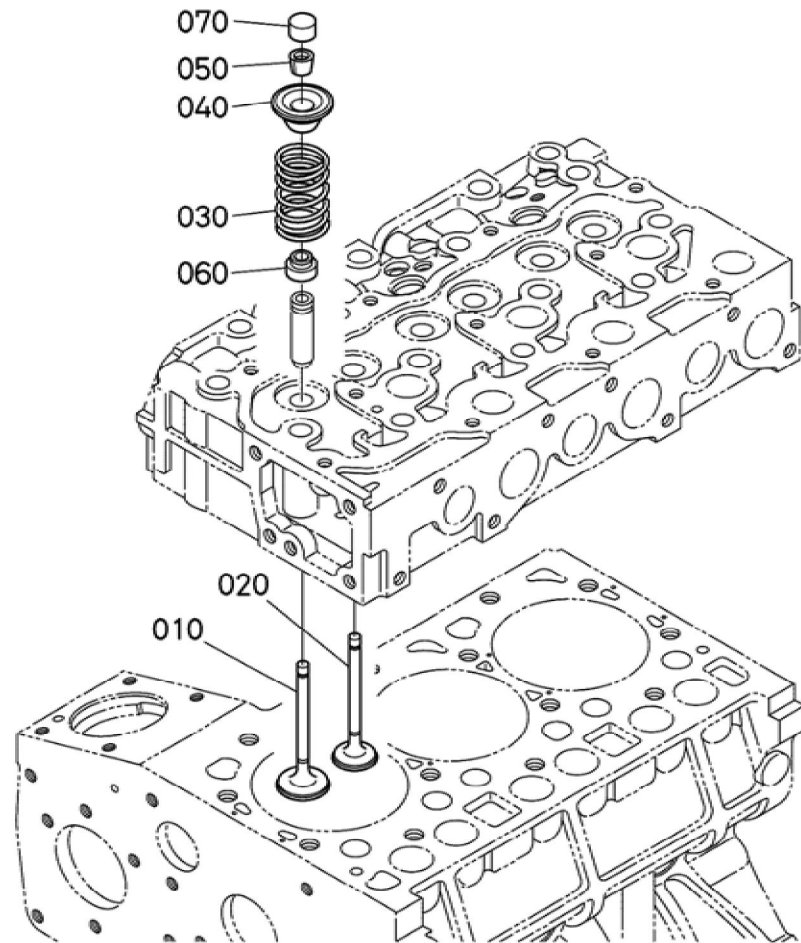


## BKIDA5194 &gt;&gt; U50-5 &gt;&gt; MOTOR / ENGINE &gt;&gt; 502000 ZYLINDERKOPF / CYLINDER HEAD

Update Date : 26-06-2020 Print Date : 01-03-2022

No.	Part Number	Part Name (POL)	Part Name (ENG)	QTY	IC	Serial No./PIN	Kg	Remarks
010	1J813-01753	HAKEN	HOOK (ENGINE,REAR)	1			0.420	
020	01123-50816	SCHRAUBE	BOLT,SEMS	1			0.011	
030	1A460-01740	HAKEN	HOOK (ENGINE,FRONT)	1			0.250	
040	15471-91530	STEBBOLZEN	BOLT,STUD	1			0.010	
050	16429-92010	MUTTER	NUT WITH LOCK WASHER	1			0.007	
060	1J822-03040	KOMP.ZYLINDERKOPF	HEAD,CYLINDER,COMP	1			15.000	
070	15221-03370	STOPFEN	PLUG,CUP TYPE	9			0.010	
080	15221-03490	STOPFEN	CAP,SEALING	1			0.020	
090	15261-96010	STOPFEN	PLUG	2			0.002	
100	1J829-13580	VENTILFUEHRUNG	GUIDE,VALVE (INLET)	3			0.020	
110	1J829-13560	VENTILFUEHRUNG	GUIDE,VALVE (EXHAUST)	3			0.020	
140	19013-03450	ZYLINDERKOPFSCHRAUBE	BOLT,HEAD (CYLINDER)	14			0.077	
150	1J820-03310	DICHTUNG	GASKET (HEAD,CYLINDER 120)	1			0.220	1.20mm
150	1J820-03600	DICHTUNG	GASKET (HEAD,CYLINDER 115)	1			0.220	1.15mm
150	1J820-03610	DICHTUNG	GASKET (HEAD,CYLINDER 125)	1			0.220	1.25mm
150	1J820-03620	DICHTUNG	GASKET (HEAD,CYLINDER 130)	1			0.220	1.30mm
150	1J820-03630	DICHTUNG	GASKET (HEAD,CYLINDER 135)	1			0.220	1.35mm
160	06311-55010	STOPFEN	PLUG	1			0.015	
170	04717-01000	GUMMIUNTERLAGE	WASHER,SEAL	1			0.001	

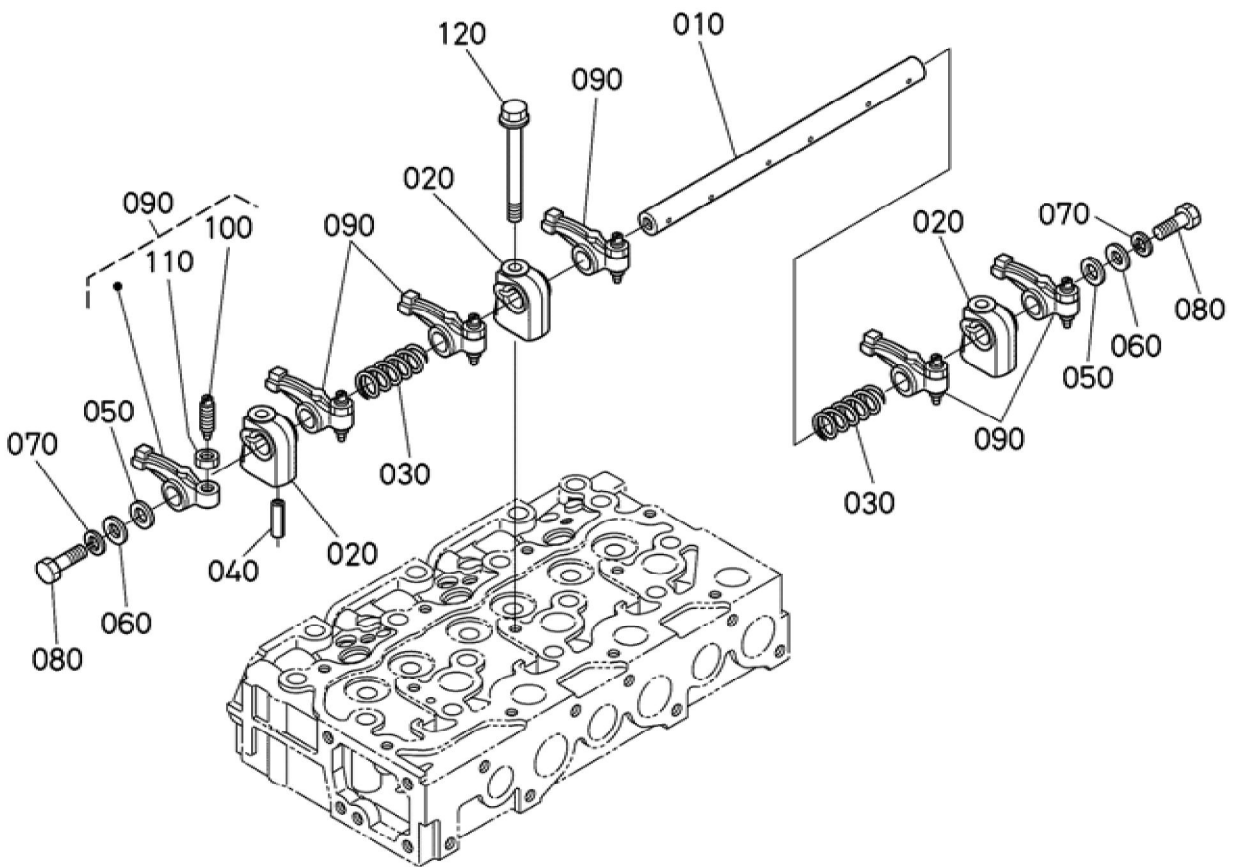
Update Date : 26-06-2020 Print Date : 01-03-2022



1J813-009-12

Update Date : 26-06-2020 Print Date : 01-03-2022

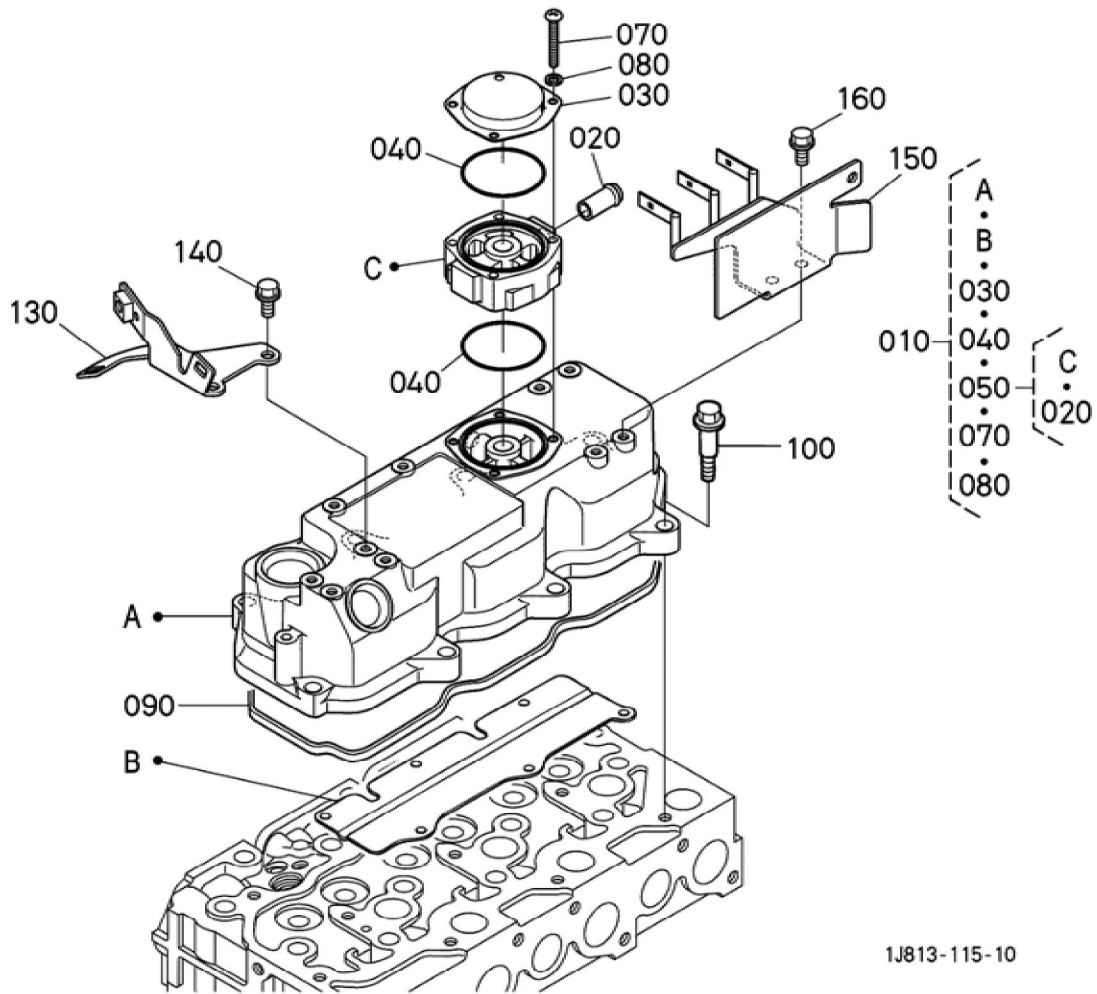
No.	Part Number	Part Name (POL)	Part Name (ENG)	QTY	IC	Serial No./PIN	Kg	Remarks
010	1G852-13114	VENTIL	VALVE,INLET	3			0.080	
020	1G852-13124	VENTIL	VALVE,EXHAUST	3			0.065	
030	1G896-13240	VENTIL-FEDER	SPRING,VALVE	6			0.040	
040	15221-13330	HALTER	RETAINER,VALVE SP.	6			0.028	
050	15221-13980	KLEMMSCHEIBE	COLLET,VALVE SPRING	6			0.005	SET
060	15221-13153	VENTILDICHTUNG	SEAL(VALVE STEM)	6			0.002	
070	1G896-13280	VENTILKAPPE	CAP(VALVE)	6			0.005	



## BKIDA5194 &gt;&gt; U50-5 &gt;&gt; MOTOR / ENGINE &gt;&gt; 504000 KIPPENARMWELLE / ROCKER ARM SHAFT

Update Date : 26-06-2020 Print Date : 01-03-2022

No.	Part Number	Part Name (POL)	Part Name (ENG)	QTY	IC	Serial No./PIN	Kg	Remarks
010	1A021-14260	KIPPHEBELWELLE	SHAFT (ROCKER ARM)	1			0.225	
020	15221-14353	KIPPHEBELHALTER	BRACKET,ROCKER ARM	3			0.044	
030	15221-14310	FEDER,KIPPHEBEL	SPRING (ARM,ROCKER)	2			0.005	
040	05411-00528	STIFT	SPRING PIN	1			0.003	
050	15221-14430	SCHEIBE	WASHER,RARM SHAFT	2			0.002	
060	04013-50080	SCHEIBE	WASHER,PLAIN	2			0.003	
070	04512-50080	FEDERRING	WASHER,SPRING LOCK	2			0.002	
080	01153-50812	BOLZEN	HEX.BOLT	2			0.008	
090	15621-14030	GRP.KIPPHEBEL	ARM,ROCKER,ASSY	6			0.100	
100	1G896-14230	STELLSCHRAUBE	SCREW	6			0.010	
110	15021-14240	MUTTER	NUT	6			0.003	
120	01754-50855	SCHRAUBE	BOLT,FLANGE	3			0.020	





**Download the full PDF manual instantly.**

**Our customer service e-mail:**

**[aservicemanualpdf@yahoo.com](mailto:aservicemanualpdf@yahoo.com)**