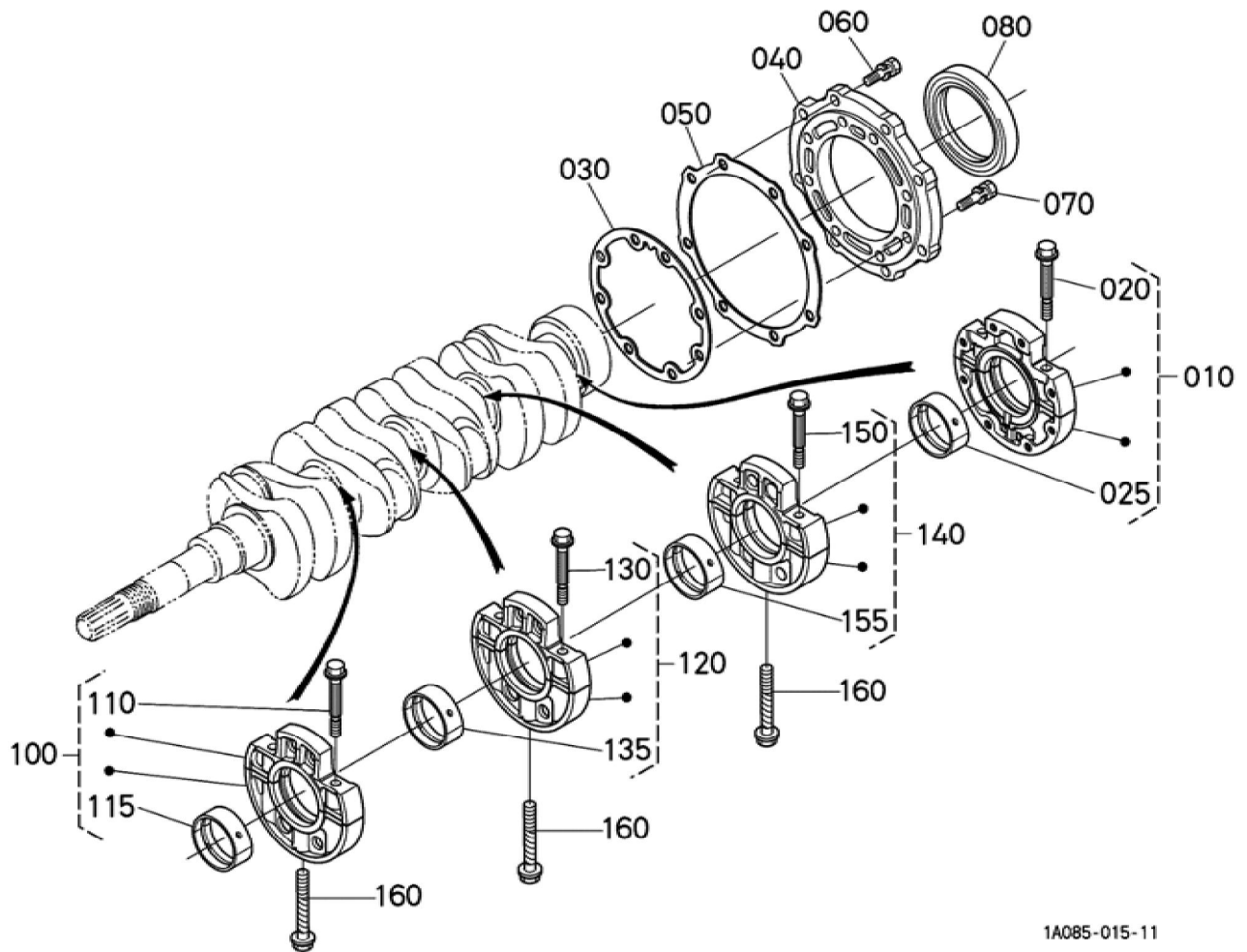


BKIDK0531 >> U50-3ALPHA >> MOTOR / ENGINE >> S00600 MOTORTRAEGER / ENGINE BRACKET

Update Date : 2020/03/19 Print Date : 2022/02/28

No.	Part Number	Part Name (POL)	Part Name (ENG)	QTY	IC	Serial No./PIN	Kg	Remarks
010	RD118-42113	TRAEGER,MOTOR	BRACKET,ENGINE	1			3.260	AUSGENOMMEN KLIMAANLAGE
010	RD118-47572	TRAEGER,MOTOR	BRACKET,ENGINE A/C	1			5.100	KLIMAANLAGE
012	01123-60820	SCHRAUBE	BOLT	2			0.015	KLIMAANLAGE
015	01135-61230	BOLZEN	BOLT	3			0.050	
020	RD118-42123	TRAEGER,MOTOR	BRACKET,ENGINE	1			2.720	
030	01135-61230	BOLZEN	BOLT	3			0.050	
040	RD118-42133	TRAEGER,MOTOR	BRACKET,ENGINE	1			1.860	
050	RD118-42143	TRAEGER,MOTOR	BRACKET,ENGINE	1			2.320	
060	01135-61240	BOLZEN	BOLT	4			0.027	
070	RD118-42163	TRAEGER,MOTOR	SUPPORT,ENGINE	4			1.280	
075	RD411-42192	BOLZEN	BOLT	4			0.210	
080	RD411-42153	GUMMIPUFFER	ASSY CUSHION	4			0.220	
090	RD101-42172	HUELSE	COLLAR	4			0.000	
100	RD118-42173	KAPPE	CAP	4			0.380	
110	02176-60160	MUTTER	NUT	8			0.022	
120	01135-61230	BOLZEN	BOLT	8			0.050	

Update Date : 2020/03/19 Print Date : 2022/02/28



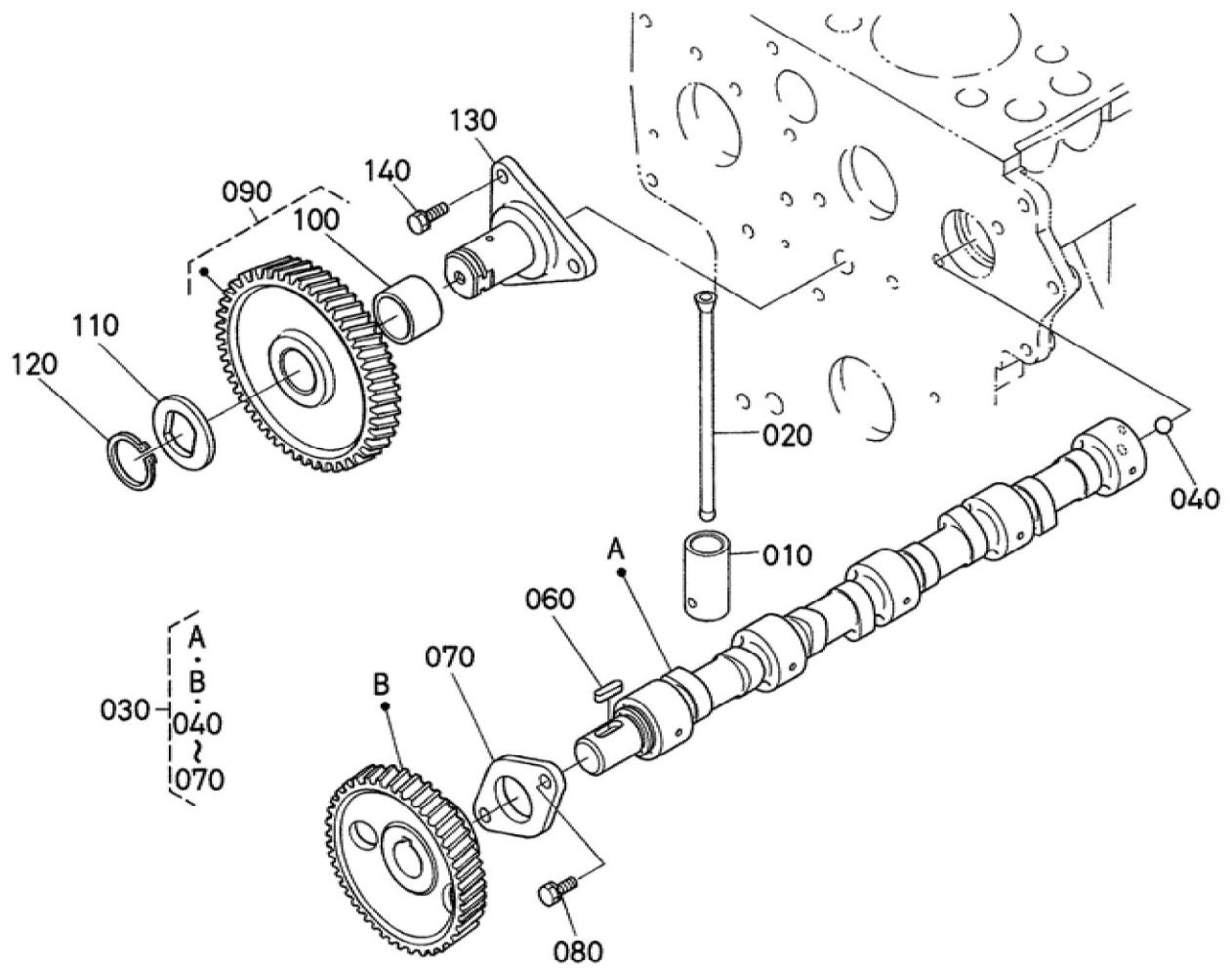
Update Date : 2020/03/19 Print Date : 2022/02/28

No.	Part Number	Part Name (POL)	Part Name (ENG)	QTY	IC	Serial No./PIN	Kg	Remarks
010	1A041-07093	GRP.LAGERGEHAEUSE	CASE,BRG,ASSY(WHEEL)	1			1.340	
020	1A091-04540	BOLZEN, LAGERKASTEN	BOLT,BEARING CASE	2			0.035	
025	1A091-23930	LAGERSCHAULE	METAL,CRANKSHAFT	1			0.060	-0.20mm-SET
025	1A091-23940	LAGERSCHAULE	METAL,CRANKSHAFT	1			0.065	-0.40mm-SET
025	1A091-23480	LAGERSCHAULE	METAL CRANKSHAFT	1			0.050	STD-SET
030	1A091-04362	DICHTUNG	GASKET,BEARING CASE	1			0.020	
040	1G851-04810	DECKEL, LAGERKASTEN	COVER BEARING CASE	1			0.495	
050	1A091-04820	DICHTUNG	GASKET,CASE COVER	1			0.009	
060	01123-50825	BOLZEN	BOLT,SEMS	8			0.013	
070	01123-50828	BOLZEN	BOLT,SEMS	8			0.014	
080	19202-04460	OELDICHTUNGSRING	SEAL,OIL	1			0.055	
100	1A091-07043	GRP.LAGERGEHAEUSE	CASE,BRG,ASSY(MAIN)	1			1.340	
110	1A091-04540	BOLZEN, LAGERKASTEN	BOLT,BEARING CASE	2			0.035	
115	1A091-23480	LAGERSCHAULE	METAL CRANKSHAFT	1			0.050	STD-SET
115	1A091-23930	LAGERSCHAULE	METAL,CRANKSHAFT	1			0.060	-0.20mm-SET
115	1A091-23940	LAGERSCHAULE	METAL,CRANKSHAFT	1			0.065	-0.40mm-SET
120	1A091-07053	GRP.LAGERGEHAEUSE	CASE,BRG,ASSY(MAIN)	1			1.340	
130	1A091-04540	BOLZEN, LAGERKASTEN	BOLT,BEARING CASE	2			0.035	
135	1A091-23480	LAGERSCHAULE	METAL CRANKSHAFT	1			0.050	STD-SET
135	1A091-23930	LAGERSCHAULE	METAL,CRANKSHAFT	1			0.060	-0.20mm-SET

Update Date : 2020/03/19 Print Date : 2022/02/28

No.	Part Number	Part Name (POL)	Part Name (ENG)	QTY	IC	Serial No./PIN	Kg	Remarks
135	1A091-23940	LAGERSCHA LE	METAL,CRAN KSHAFT	1			0.065	-0.40mm-SET
140	1A091-07063	GRP.LAGERG EHAEUSE	CASE,BRG,A SSY(MAIN)	1			1.445	
150	1A091-04540	BOLZEN, LAGERKASTE N	BOLT,BEARIN G CASE	2			0.035	
155	1A091-23930	LAGERSCHA LE	METAL,CRAN KSHAFT	1			0.060	-0.20mm-SET
155	1A091-23940	LAGERSCHA LE	METAL,CRAN KSHAFT	1			0.065	-0.40mm-SET
155	1A091-23480	LAGERSCHA LE	METAL CRANKSHAF T	1			0.050	STD-SET
160	15601-04560	BOLZEN, LAGERKASTE N	BOLT,BEARIN G CASE	3			0.060	

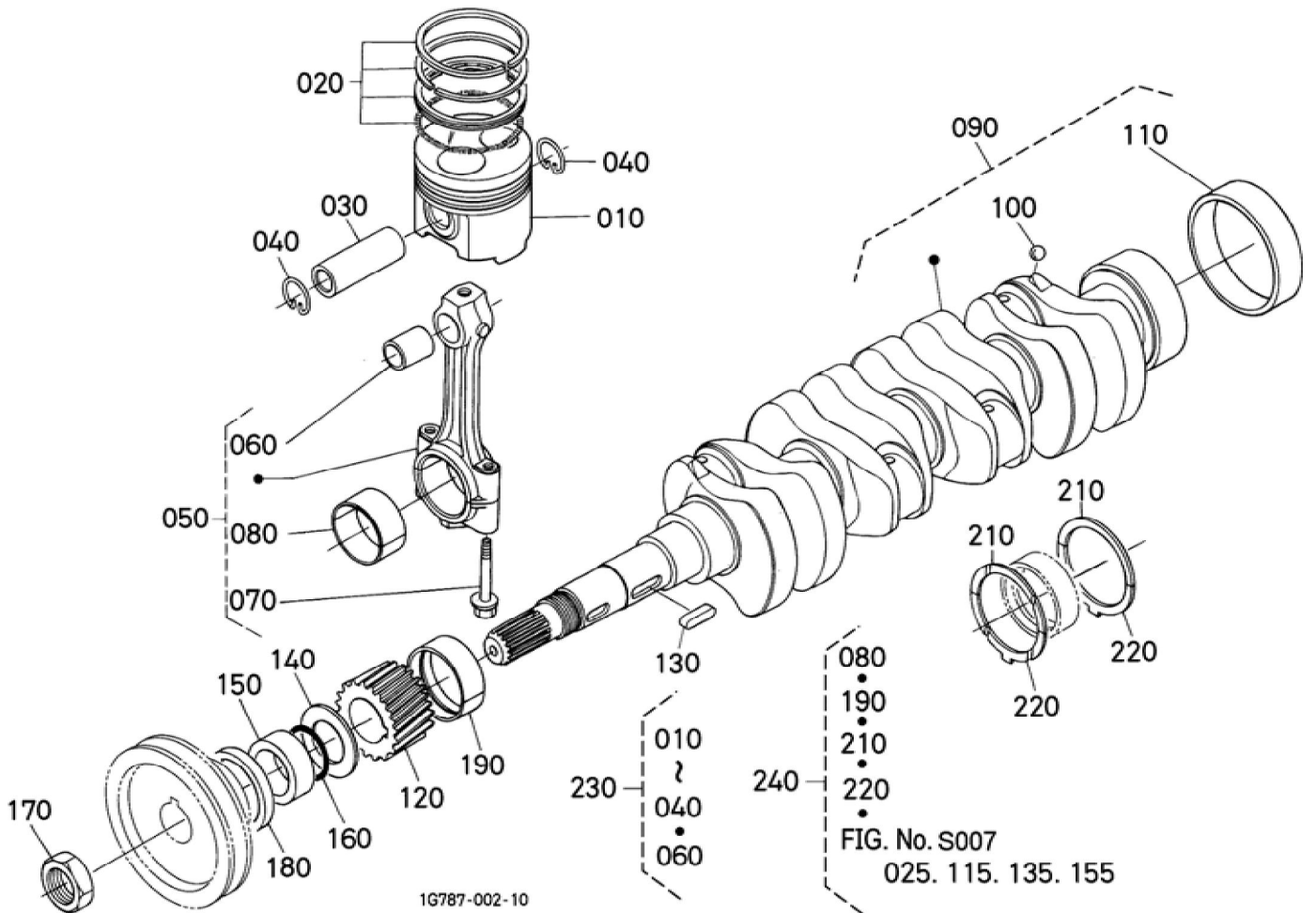
Update Date : 2020/03/19 Print Date : 2022/02/28



Update Date : 2020/03/19 Print Date : 2022/02/28

No.	Part Number	Part Name (POL)	Part Name (ENG)	QTY	IC	Serial No./PIN	Kg	Remarks
010	15601-15550	STOESSEL	TAPPET	8			0.080	
020	19013-15110	STOESSELSTANGE	ROD,PUSH	8			0.050	
030	1A091-16010	GRP.NOCKENWELLE	CAMSHAFT,ASSY	1			3.100	
040	07715-00401	KUGEL	BALL 1/4	1			0.001	
060	05712-00720	KEIL	KEY, FEATHER	1			0.008	
070	15221-16270	NOCKENWELLENSPRERRPLATTE	STOPPER (CAMSHAFT)	1			0.073	
080	01123-50818	BOLZEN	BOLT,SEMS	2			0.012	
090	1G791-24010	ZAHNRAD	COMP.GEAR,IDLE	1			1.195	
100	1A021-24980	BUCHSE	BUSHING (IDLE GEAR)	1			0.072	
110	1A021-24370	HUELSE	COLLAR	1			0.022	
120	15451-95400	SPRENGRING,AUSSEN	CIRCLIP,EXT	1			0.010	
130	1A021-24250	WELLE	SHAFT,IDLE GEAR	1			0.685	
140	01123-50818	BOLZEN	BOLT,SEMS	3			0.012	

Update Date : 2020/03/19 Print Date : 2022/02/28

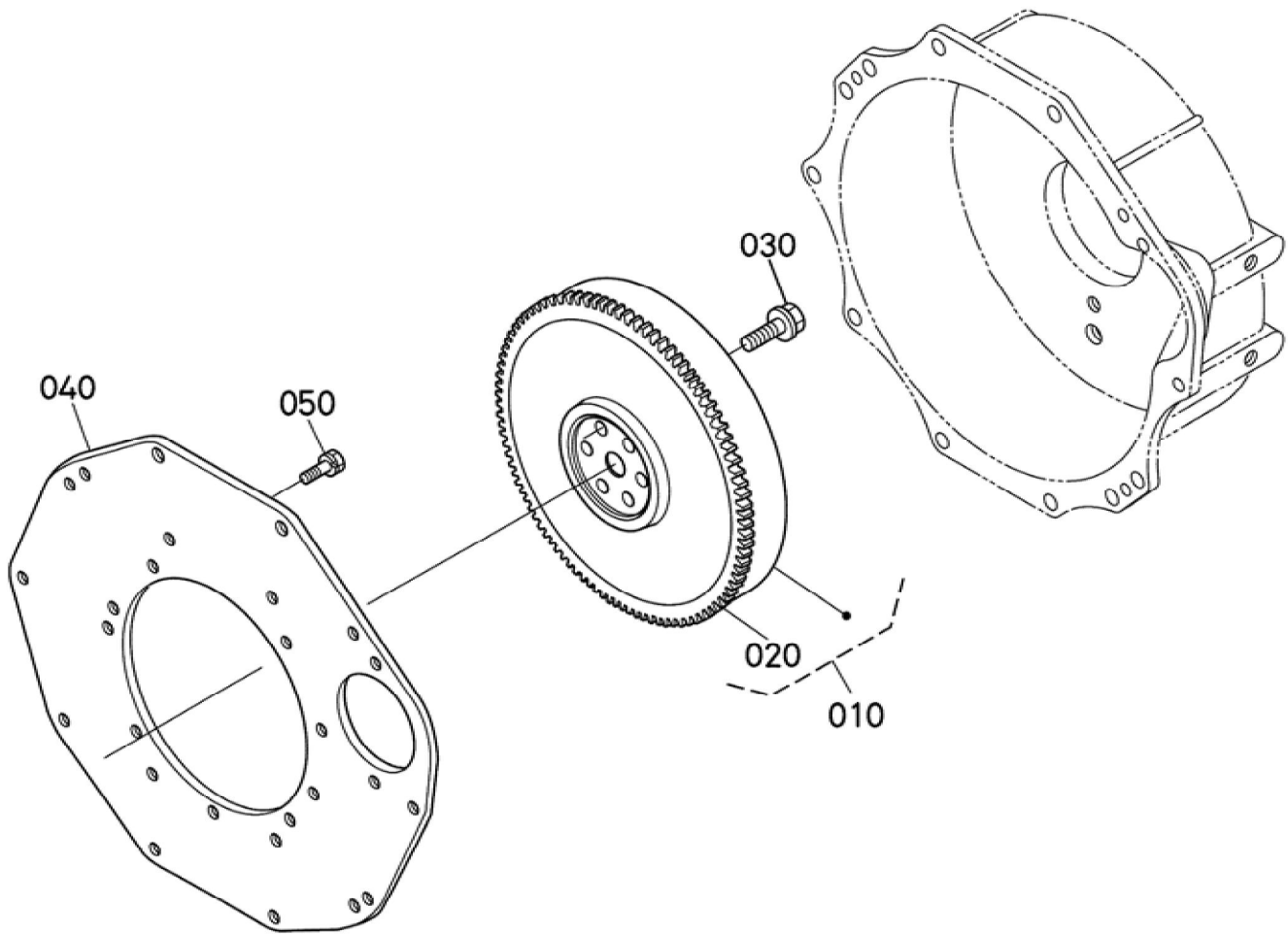


Update Date : 2020/03/19 Print Date : 2022/02/28

No.	Part Number	Part Name (POL)	Part Name (ENG)	QTY	IC	Serial No./PIN	Kg	Remarks
010	1A091-21113	KOLBEN	PISTON	4			0.545	STD
010	1A091-21903	KOLBEN	PISTON	4			0.545	+0.25mm
020	1A091-21050	GRP.KOLBEN RING	ASSY PISTON RING	4			0.055	STD
020	1A091-21090	GRP.KOLBEN RING	ASSY PISTON RING	4			0.045	+0.25mm
030	14901-21310	KOLBENBOLZEN	PIN PISTON	4			0.170	
040	1G279-21330	SPRENGRING	CIRCLIP,INT	8			0.004	
050	17311-22010	PLEUELSTANGE KOMP.	ASSY CONNECTING ROD	4			0.885	
060	17331-21980	BUCHSE,KOLBENSTIFT	BUSH PISTON PIN	4			0.025	
070	15521-22142	BOLZEN	BOLT CONNECTING ROD	8			0.026	
080	17311-22310	LAGERSCHALE	METAL CRANKPIN	4			0.045	STD-SET
080	17331-22970	LAGERSCHALE	METAL CRANKPIN	4			0.050	-0.20mm-SET
080	17331-22980	LAGERSCHALE	METAL CRANKPIN	4			0.045	-0.40mm-SET
090	1G790-23012	KOMP.KURBELWELLE	COMP.CRANKSHAFT	1			16.500	
100	07715-00401	KUGEL	BALL 1/4	4			0.001	
110	19202-23280	BUCHSE,KURBELWELLE	BUSH CRANKSHAFT	1			0.090	
120	1A081-24110	ZAHNRAD	GEAR CRANKSHAFT	1			0.415	
130	05712-00728	KEIL	KEY,FEATHER	1			0.010	
140	15471-23312	RING	OIL SLINGER	1			0.008	
150	19202-23250	HALSRING	COLLAR CRANKSHAFT	1			0.065	
160	19202-96760	O RING	O-RING	1			0.001	
170	15221-23360	MUTTER,KURBELWELLE	NUT CRANKSHAFT	1			0.110	

Update Date : 2020/03/19 Print Date : 2022/02/28

No.	Part Number	Part Name (POL)	Part Name (ENG)	QTY	IC	Serial No./PIN	Kg	Remarks
180	19202-04140	OELDICHTUNGSRING	SEAL OIL	1			0.015	
190	1A091-23470	LAGERSCHA LE	METAL CRANKSHAF T	1			0.062	STD
190	1A091-23910	LAGERSCHA LE	METAL CRANKSHAF T	1			0.065	-0.20mm
190	1A091-23920	LAGERSCHA LE	METAL CRANKSHAF T	1			0.065	-0.40mm
210	1A091-23530	LAGERSCHA LE	METAL SIDE	2			0.009	STD
210	1A091-23950	LAGERSCHA LE	METAL SIDE	2			0.005	+0.20mm
210	1A091-23960	LAGERSCHA LE	METAL SIDE	2			0.005	+0.40mm
220	1A091-23970	LAGERSCHA LE	METAL SIDE	2			0.005	+0.20mm
220	1A091-23980	LAGERSCHA LE	METAL SIDE	2			0.005	+0.40mm
220	1A091-23540	LAGERSCHA LE	METAL SIDE	2			0.009	STD
230	1G856-21782	GRP.KOLBEN	PISTON,KIT	4			1.090	
230	1G856-21772	GRP.KOLBEN	PISTON,KIT	4			0.890	
240	1G856-23750	LAGERSATZ	KIT METAL ENGINE	1			0.710	STD
240	1G856-23760	LAGERSATZ	KIT METAL ENGINE	1			0.830	0.20mm
240	1G856-23770	LAGERSATZ	KIT METAL ENGINE	1			0.800	0.40mm



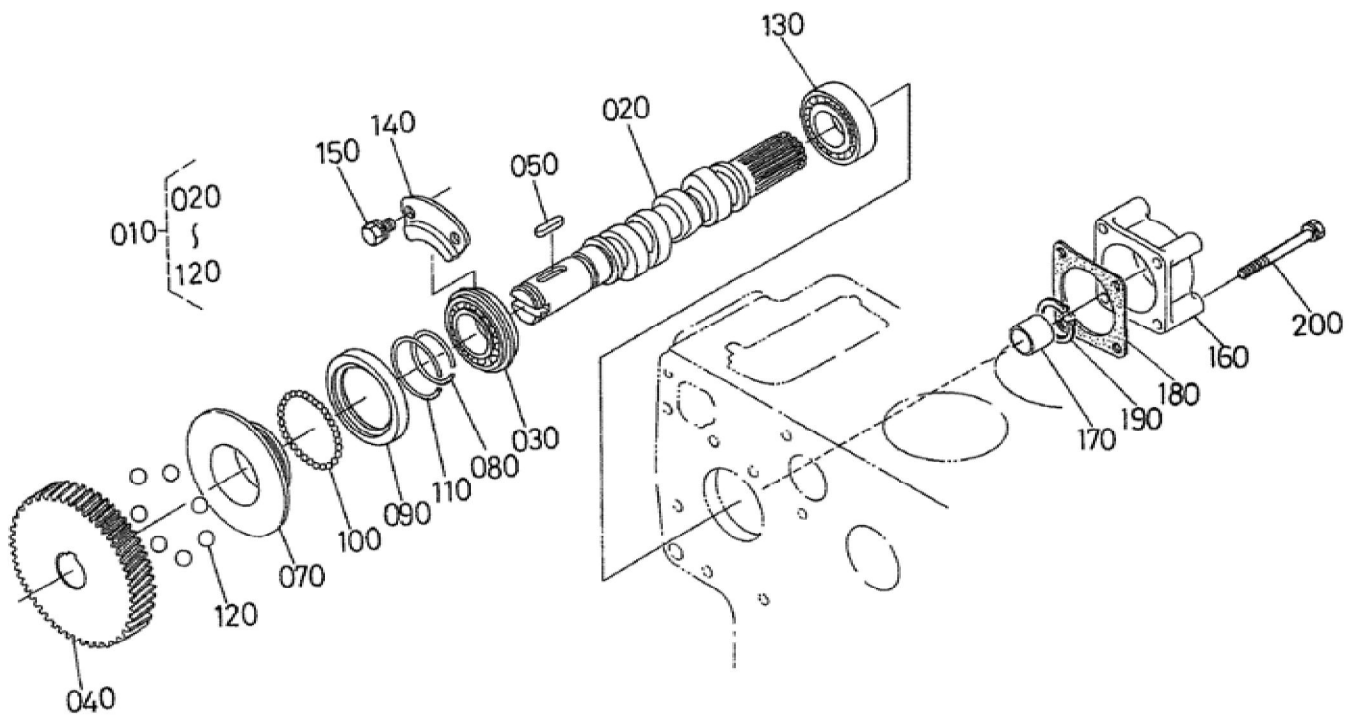
1A085-007-11

BKIDK0531 >> U50-3ALPHA >> MOTOR / ENGINE >> S01000 SCHWUNGRAD / FLYWHEEL

Update Date : 2020/03/19 Print Date : 2022/02/28

No.	Part Number	Part Name (POL)	Part Name (ENG)	QTY	IC	Serial No./PIN	Kg	Remarks
010	1A085-25010	KOMP.SCHWUNGRAD	COMP.FLYWHEEL	1			27.000	
020	1A021-63820	ZAHNKRANZ	GEAR(RING)	1			1.500	
030	15521-25162	BOLZEN,SCHWUNGRAD	BOLT,FLYWHEEL	6			0.050	
040	1A085-04620	PLATTE	PLATE,REAR END	1			5.500	
050	01133-51025	SCHRAUBE	BOLT,SEMS	11			0.023	

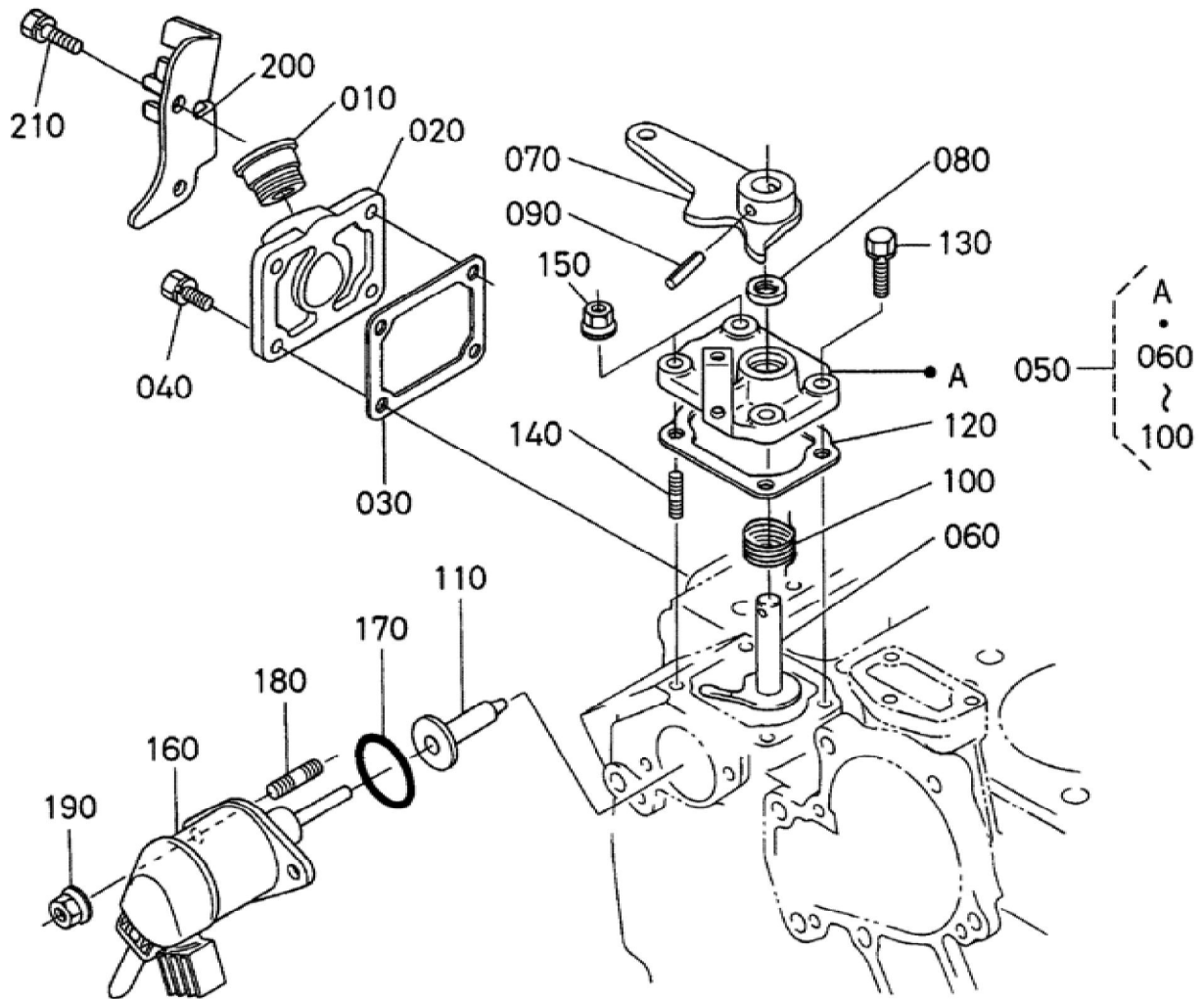
Update Date : 2020/03/19 Print Date : 2022/02/28



Update Date : 2020/03/19 Print Date : 2022/02/28

No.	Part Number	Part Name (POL)	Part Name (ENG)	QTY	IC	Serial No./PIN	Kg	Remarks
010	19077-16020	GRP.NOCKE NWELLE	CAMSHAFT,A SSY(FUEL)	1			3.000	
020	19077-16170	NOCKENWEL LE	CAMSHAFT (FUEL)	1			1.120	
030	08153-06205	KUGELLAGE R	BRG,BALL	1			0.130	
040	16415-51150	ZAHNRAD	GEAR (PUMP,INJEC TION)	1			1.075	
050	05712-00525	KEIL	FEATHER KEY	1			0.005	
070	15611-55450	REGLERMUF FE	SLEEVE (GOVERNOR)	1			0.117	
080	15221-55470	SPRENGRIN G	CIRCLIP (GOVERNOR SLEEVE)	1			0.003	
090	15611-55690	GEHAEUSE	CASE (GOVERNOR BALL)	1			0.030	
100	07715-03205	KUGEL	BALL 5/32	39			0.001	
110	15221-55740	SPRENGRIN G	CIRCLIP	1			0.002	
120	07715-00403	KUGEL	BALL	7			0.030	
130	19077-97300	KUGELLAGE R	BEARING,BAL L	1			0.175	
140	15221-16320	STOPPER, NOCKENWEL LE	STOPPER (FUEL C/SHAFT)	1			0.030	
150	01123-60814	BOLZEN	BOLT	2			0.010	
160	17183-16210	DECKEL	COVER,FUEL CAMSHAFT	1			0.310	
170	19222-16190	HUELSE	COLLAR	1			0.062	
180	1A051-16220	DICHTUNGSP LATTE	GASKET	1			0.003	
190	15471-95360	SPRENGRIN G,AUSSEN	CIRCLIP,EXT	1			0.004	
200	01123-50865	BOLZEN	BOLT,SEMS	4			0.026	

Update Date : 2020/03/19 Print Date : 2022/02/28





Download the full PDF manual instantly.

Our customer service e-mail:

aservicemanualpdf@yahoo.com