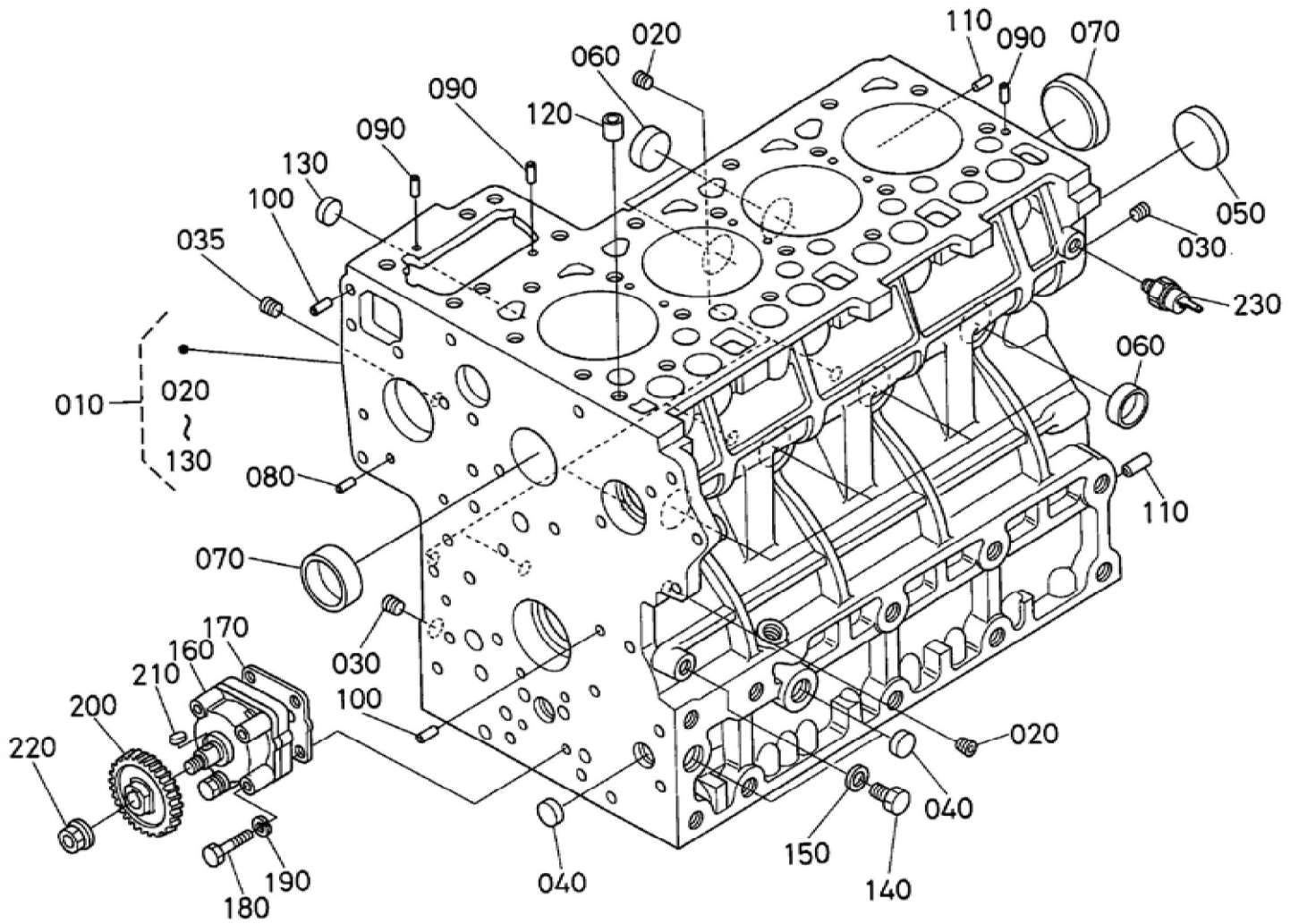


Update Date : 2020/01/09 Print Date : 2022/02/28

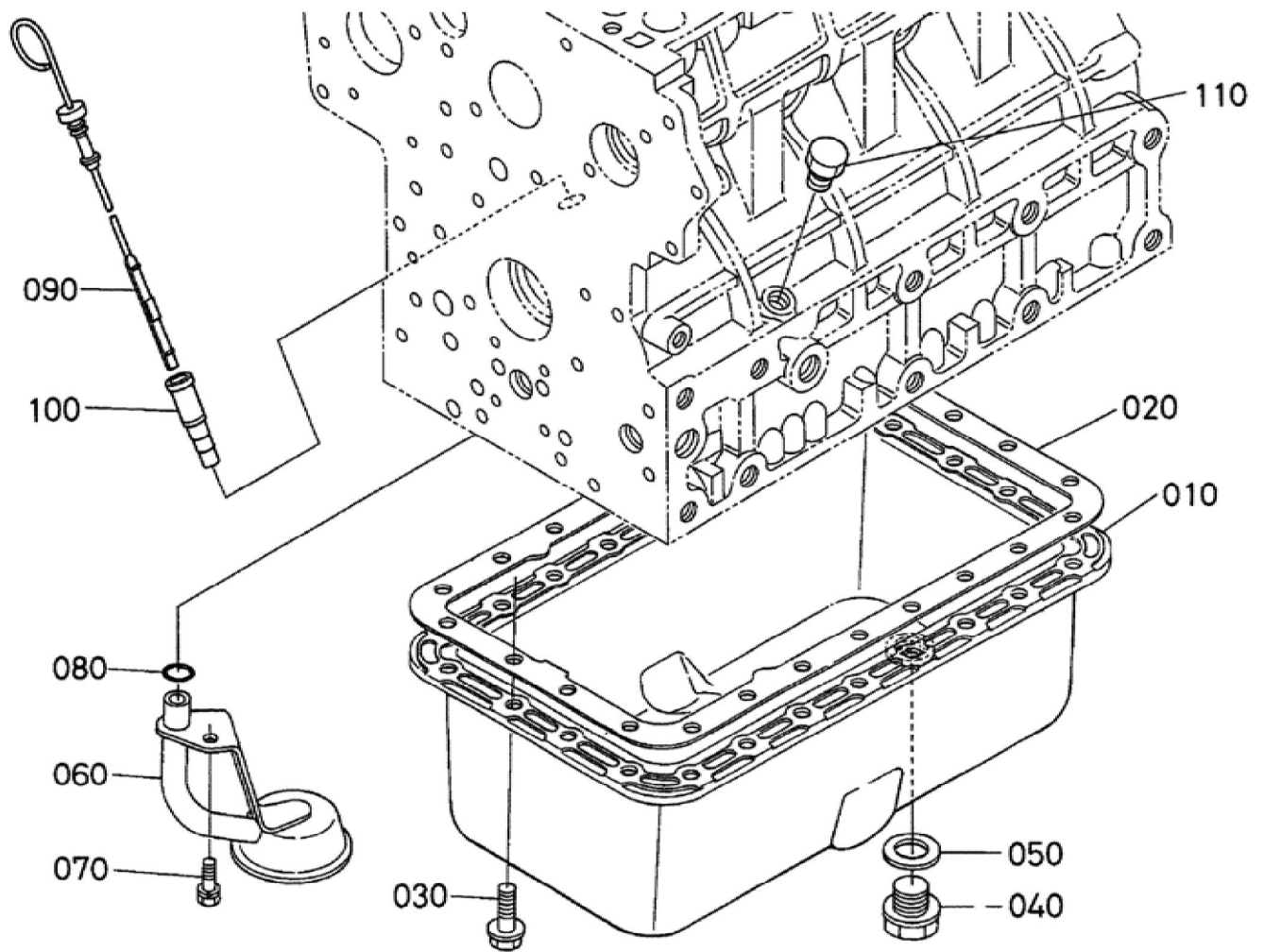


Update Date : 2020/01/09 Print Date : 2022/02/28

No.	Part Number	Part Name (POL)	Part Name (ENG)	QTY	IC	Serial No./PIN	Kg	Remarks
010	1A085-01013	KOMP.KURBELGEHAEUSE	COMP. CRANKCASE	1		<=3Q3269	54.500	
010	1A085-01014	KOMP.KURBELGEHAEUSE	COMP. CRANKCASE	1	NI	=>3S0001	54.500	
020	15521-96020	STOPFEN	PLUG	6			0.003	
030	15521-96030	STOPFEN	PLUG	2			0.007	
035	06312-10020	STOPFEN	PLUG	1			0.016	
040	17391-96160	STOPFEN	PLUG EXPANSION	3			0.003	
050	06311-75045	STOPFEN	PLUG EXPANSION	1		<=3G4478	0.026	
050	16271-96160	STOPFEN	PLUG EXPANSION	1	NI	=>3J0001	0.025	
060	15221-03380	STOPFEN	CAP SEALING	6			0.017	
070	15221-03390	STOPFEN	BUSH GOVERNOR GEAR	2			0.030	
080	05012-00408	ZYLINDERSTIFT	PIN STRAIGHT	2			0.001	
090	05012-00609	ZYLINDERSTIFT	PIN STRAIGHT	3			0.003	
100	05012-00612	ZYLINDERSTIFT	PIN STRAIGHT	2			0.003	
110	05012-01018	ZYLINDERSTIFT	PIN STRAIGHT	2			0.012	
120	15221-33650	ROHRSTIFT	PIN PIPE	1			0.004	
130	06311-85020	KAPPE	CAP SEALING	1			0.002	
140	15221-33610	STOPFEN	PLUG	1		<=3X9999	0.009	
140	15469-33610	STOPFEN	PLUG	1	=	=>3Y0001	0.008	
150	15021-33660	DICHTUNGSPLATTE	GASKET	1			0.001	
160	15471-35012	GRP.OELPUMPE	ASSY PUMP OIL	1			0.550	
170	1A021-35150	DICHTUNGSPLATTE	GASKET OIL PUMP	1			0.001	
180	01053-50650	BOLZEN	BOLT	4			0.011	
190	04512-60060	FEDERRING	WASHER SPRING	4			0.001	

Update Date : 2020/01/09 Print Date : 2022/02/28

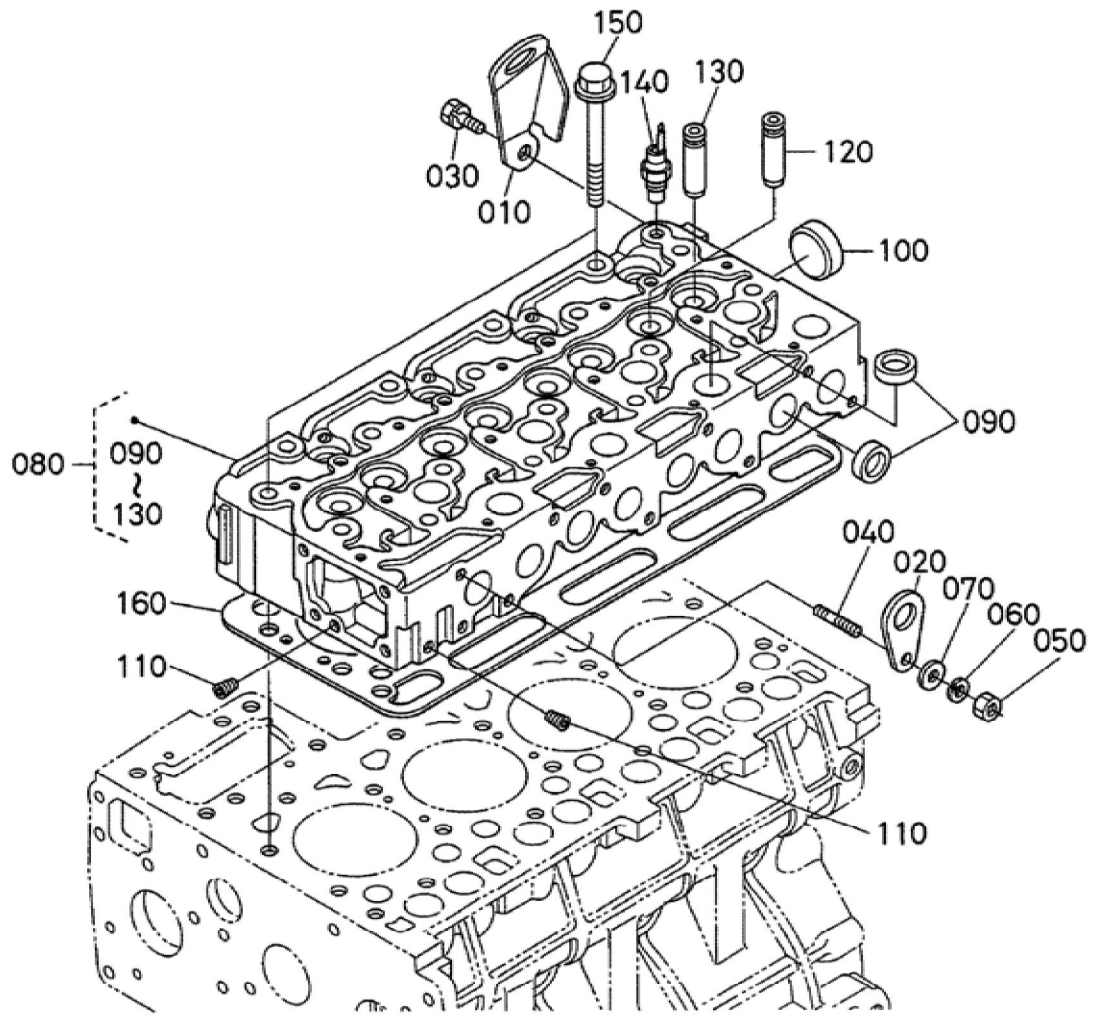
No.	Part Number	Part Name (POL)	Part Name (ENG)	QTY	IC	Serial No./PIN	Kg	Remarks
200	19202-35660	ZAHNRAD	GEAR OIL PUMP DRIVE	1			0.230	
210	05712-00410	KEIL	KEY FEATHER	1			0.001	
220	15221-35682	MUTTER	NUT FLANGE	1			0.014	
230	1A024-39010	OELDRUCKS CHALTER	SWITCH OIL	1			0.035	



Update Date : 2020/01/09 Print Date : 2022/02/28

No.	Part Number	Part Name (POL)	Part Name (ENG)	QTY	IC	Serial No./PIN	Kg	Remarks
010	1A085-01500	KOMP.OELW ANNE	COMP. OIL PAN	1			2.500	
020	19228-01620	DICHTUNG	GASKET OIL PAN	1			0.070	
030	17333-91010	SCHRAUBE	BOLT FLANGE	24			0.030	
040	15707-33750	ENTLEERUN GSSTOPFEN	PLUG DRAIN	1			0.095	
050	15451-96670	DICHTUNG	GASKET	1			0.003	
060	16413-32110	OELFILTER	FILTER OIL	1			0.240	
070	01123-60814	BOLZEN	BOLT	1			0.010	
080	04814-00160	O RING	O-RING	1			0.001	
090	1A053-36410	OELMESSST AB	GAUGE OIL	1			0.045	
100	17456-36420	FUEHRUNG, OELMESSST AB	GUIDE OIL GAUGE	1			0.030	
110	16414-33640	STOPFEN, OELMESSST AB	PLUG OIL GAUGE	1			0.003	

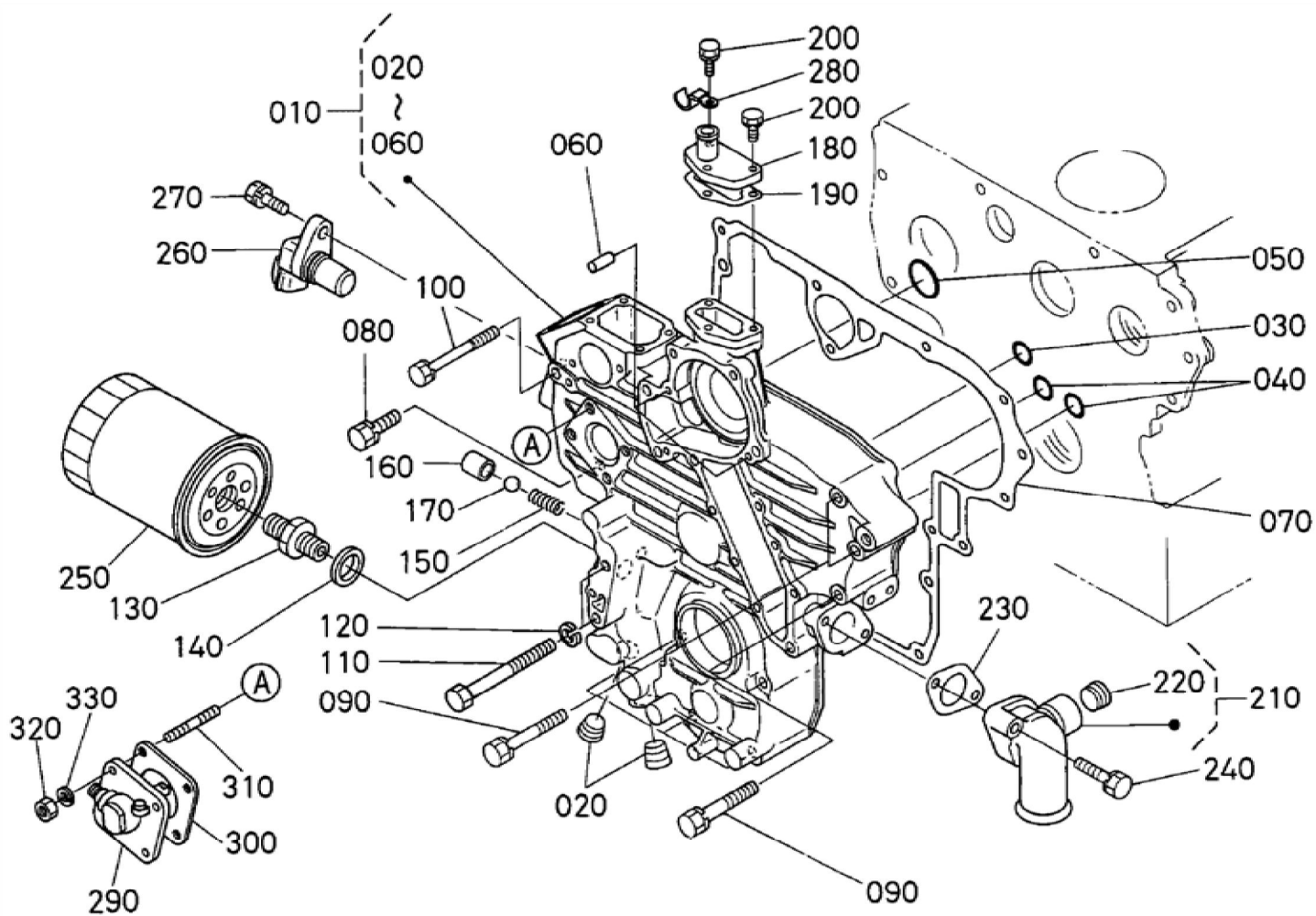
Update Date : 2020/01/09 Print Date : 2022/02/28



Update Date : 2020/01/09 Print Date : 2022/02/28

No.	Part Number	Part Name (POL)	Part Name (ENG)	QTY	IC	Serial No./PIN	Kg	Remarks
010	16415-01752	MOTORHAKE N	HOOK ENGINE	1			0.115	
020	15221-01750	MOTORHAKE N	HOOK ENGINE	1			0.040	
030	01123-50816	SCHRAUBE	BOLT	1			0.011	
040	15221-91530	STEBOLZEN	STUD	1			0.011	
050	02156-50080	MUTTER	NUT	1			0.004	
060	04512-60080	FEDERRING	WASHER SPRING	1			0.002	
070	04012-50080	SCHEIBE	WASHER PLAIN	1			0.001	
080	1A081-03042	KOMP.ZYLIN DERKOPF	COMP. CYLINDER HEAD	1			20.000	
090	15221-03370	STOPFEN	CAP SEALING	12			0.010	
100	15221-03490	STOPFEN	CAP SEALING	1			0.020	
110	15261-96010	STOPFEN	PLUG	2			0.002	
120	17321-13580	EINLASSVEN TILFUEHRUN G	GUIDE INLET VALVE	4			0.015	
130	17321-13560	AUSLASSVEN TILFUEHRUN G	GUIDE EXHAUST VALVE	4			0.020	
140	31351-32830	TEMPERATU RGEBER	THERMO UNIT	1			0.020	
150	19013-03450	ZYLINDERKO PFSCHRAUB E	BOLT CYLINDER HEAD	18			0.077	
160	1G790-03310	ZYLINDERKO PFDICHTUNG	GASKET CYLINDER HEAD	1			0.290	

Update Date : 2020/01/09 Print Date : 2022/02/28



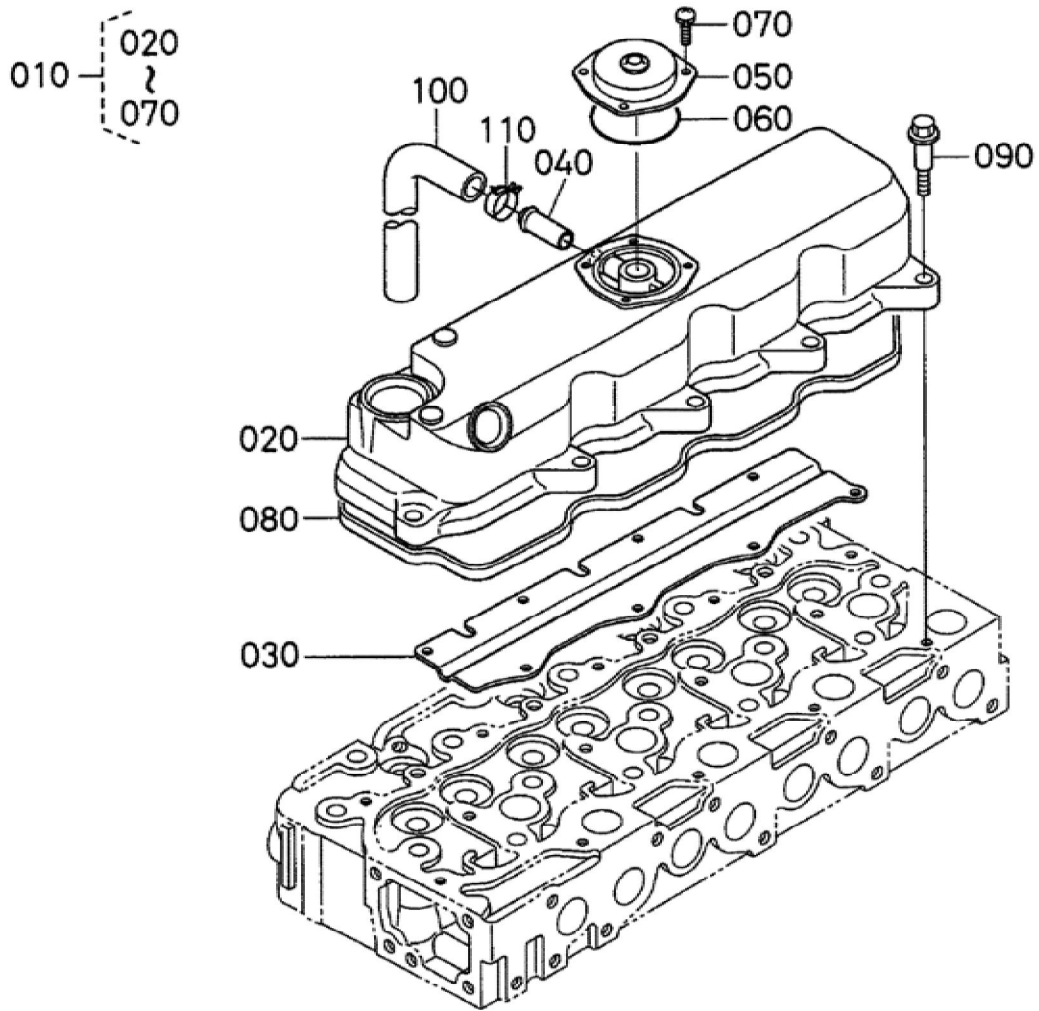
Update Date : 2020/01/09 Print Date : 2022/02/28

No.	Part Number	Part Name (POL)	Part Name (ENG)	QTY	IC	Serial No./PIN	Kg	Remarks
010	1G788-04010	GETRIEBEGEHAEUSEDECKEL	ASSY CASE GEAR	1			3.600	
020	16241-96020	STOPFEN	PLUG	2			0.015	
030	04814-00150	O RING	O-RING	1			0.001	
040	04814-00220	O RING	O-RING	2			0.001	
050	04814-00360	O RING	O-RING	1			0.001	
060	05012-00612	ZYLINDERSTIFT	PIN STRAIGHT	2			0.003	
070	1A021-04130	DICHTUNG	GASKET GEAR CASE	1			0.019	
080	01123-50835	BOLZEN	BOLT	1			0.020	
090	01123-50870	BOLZEN	BOLT	7			0.029	
100	17367-91010	BOLZEN	BOLT	1			0.005	
110	01153-50802	BOLZEN	BOLT	2			0.040	
120	04512-60080	FEDERRING	WASHER SPRING	2			0.002	
130	15521-32293	VERBINDUNGSSTUECK	ADAPTER	1			0.050	
140	1G790-32302	VENTILSITZRING	COLLAR	1			0.007	
150	15241-36950	FEDER	SPRING	1			0.004	
160	15521-36930	SITZ,VENTIL	SEAT VALVE	1			0.015	
170	07715-03213	KUGEL	BALL	1			0.004	
180	15521-73320	FLANSCH	FLANGE WATER RETURN	1			0.040	
190	1A021-73330	DICHTUNGSPLATTE	GASKET RETURN FLANGE	1			0.001	
200	01023-50620	BOLZEN	BOLT	3			0.006	
210	1A085-72800	KOMP.FLANSCH	FLANGE WATER	1			0.155	
220	1A021-96020	STOPFEN	PLUG	1			0.020	
230	1A053-72840	DICHTUNG	GASKET WATER FLANGE	1			0.001	
240	01123-50840	BOLZEN	BOLT	2			0.018	
250	15831-32430	OELFILTERPATRONE	OIL FILTER	1			0.570	
260	T1060-32270	DREHZAHLSENSOR	SENSOR REVOLUTION	1			0.022	

Update Date : 2020/01/09 Print Date : 2022/02/28

No.	Part Number	Part Name (POL)	Part Name (ENG)	QTY	IC	Serial No./PIN	Kg	Remarks
270	01023-50616	BOLZEN	BOLT	1			0.006	
280	15241-67580	KABELKLEME	CLAMP CORD	1			0.004	
290	38240-34660	GEHAEUSE, STUNDENZA EHLERANTRIEB	ASSY GEAR CASE H/M	1			0.335	
300	15296-88130	DICHTUNG	GASKET H/METER DRIVE	1			0.002	
310	15221-88210	STEBOLZEN	STUD	4			0.005	
320	02056-50060	MUTTER	NUT	4			0.002	
330	04512-60060	FEDERRING	WASHER SPRING	4			0.001	

Update Date : 2020/01/09 Print Date : 2022/02/28





Download the full PDF manual instantly.

Our customer service e-mail:

aservicemanualpdf@yahoo.com