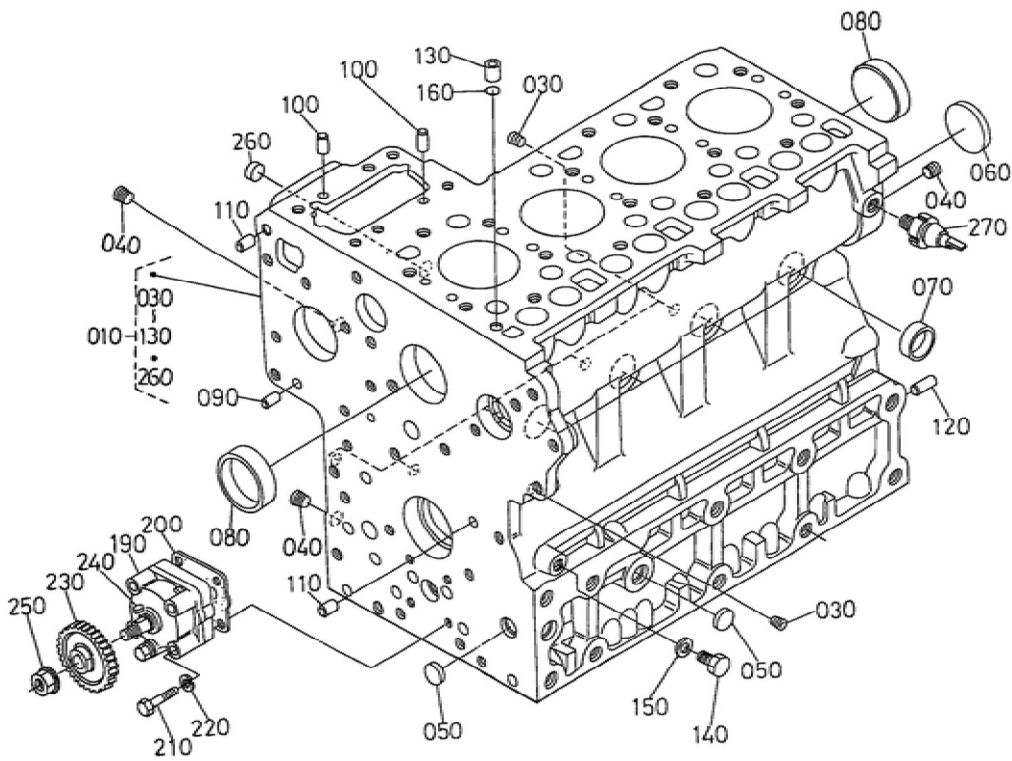


Update Date : 2016/01/07 Print Date : 2022/02/27



16404-012-10

BKIDA0101 >> U-45 >> MOTOR / ENGINE >> 000100 KURBELGEHAEUSE / CRANK CASE

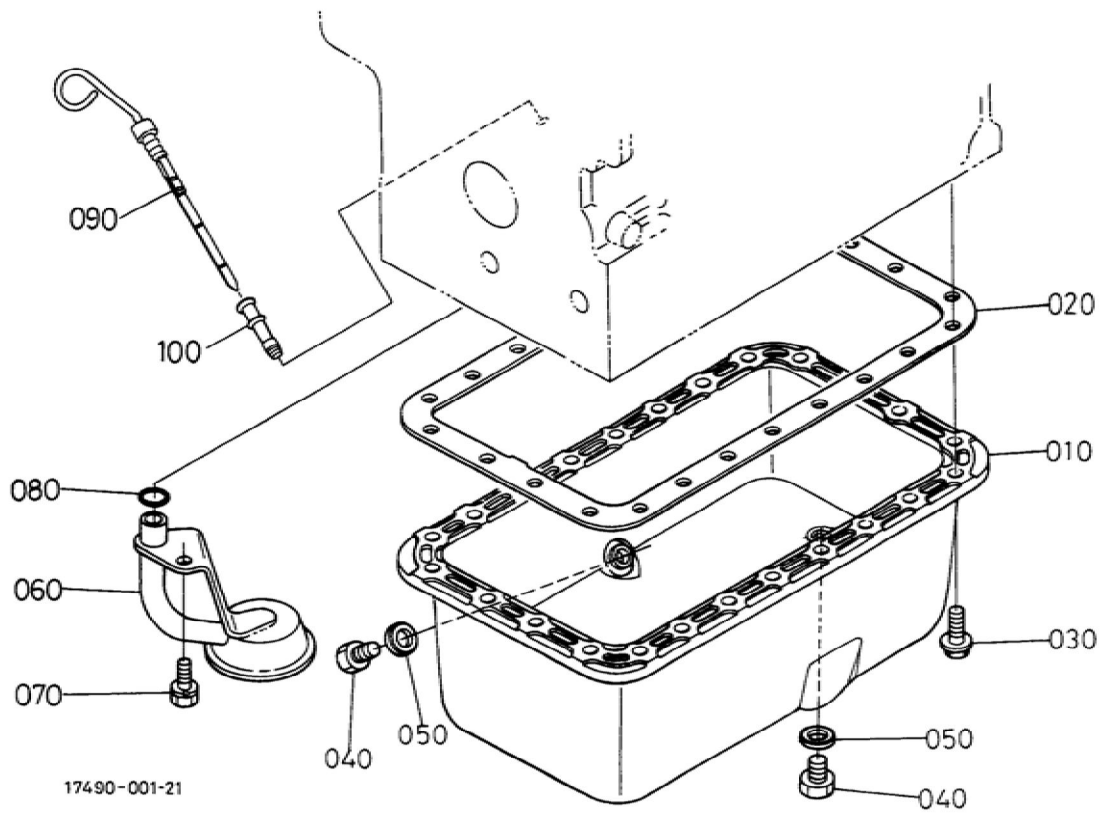
Update Date : 2016/01/07 Print Date : 2022/02/27

No.	Part Number	Part Name (POL)	Part Name (ENG)	QTY	IC	Serial No./PIN	Kg	Remarks
010	16404-01010	KOMP.KURBELGEHAEUSE	COMP.CRANKCASE	1			54.500	
030	15521-96020	STOPFEN	PLUG	6			0.003	
040	15521-96030	STOPFEN	PLUG	3			0.007	
050	17391-96160	STOPFEN	PLUG EXPANSION	3			0.003	
060	06311-75045	STOPFEN	PLUG EXPANSION	1			0.026	
070	15221-03380	STOPFEN	CAP SEALING	6			0.017	
080	15221-03390	STOPFEN	CAP SEALING	2			0.030	
090	05012-00408	ZYLINDERSTIFT	PIN STRAIGHT	2			0.001	
100	05012-00609	ZYLINDERSTIFT	PIN STRAIGHT	2			0.003	
110	05012-00612	ZYLINDERSTIFT	PIN STRAIGHT	2			0.003	
120	05012-01018	ZYLINDERSTIFT	PIN STRAIGHT	1			0.012	
130	15221-33650	ROHRSTIFT	PIN PIPE	1			0.004	
140	15221-33610	STOPFEN	PLUG	1			0.009	
150	15021-33660	DICHTUNGSPLATTE	GASKET	1			0.001	
160	15221-33700	O RING	O RING	1			0.001	
190	15471-35012	GRP.OELPUMPE	ASSY PUMP OIL	1			0.550	
200	15296-35150	DICHTUNG,OELPUMPE	GASKET OIL PUMP	1		<=YU4210	0.001	
200	1A021-35150	DICHTUNGSPLATTE	GASKET OIL PUMP	1	=	=>YW0981	0.001	
210	01053-50650	BOLZEN	BOLT	4			0.011	
220	04512-60060	FEDERRING	WASHER SPRING	4			0.001	
230	19202-35660	ZAHNRAD	GEAR OIL PUMP DRIVE	1			0.230	
240	05712-00410	KEIL	KEY FEATHER	1			0.001	
250	15221-35682	MUTTER	NUT FLANGE	1			0.014	

BKIDA0101 >> U-45 >> MOTOR / ENGINE >> 000100 KURBELGEHAEUSE / CRANK CASE

Update Date : 2016/01/07 Print Date : 2022/02/27

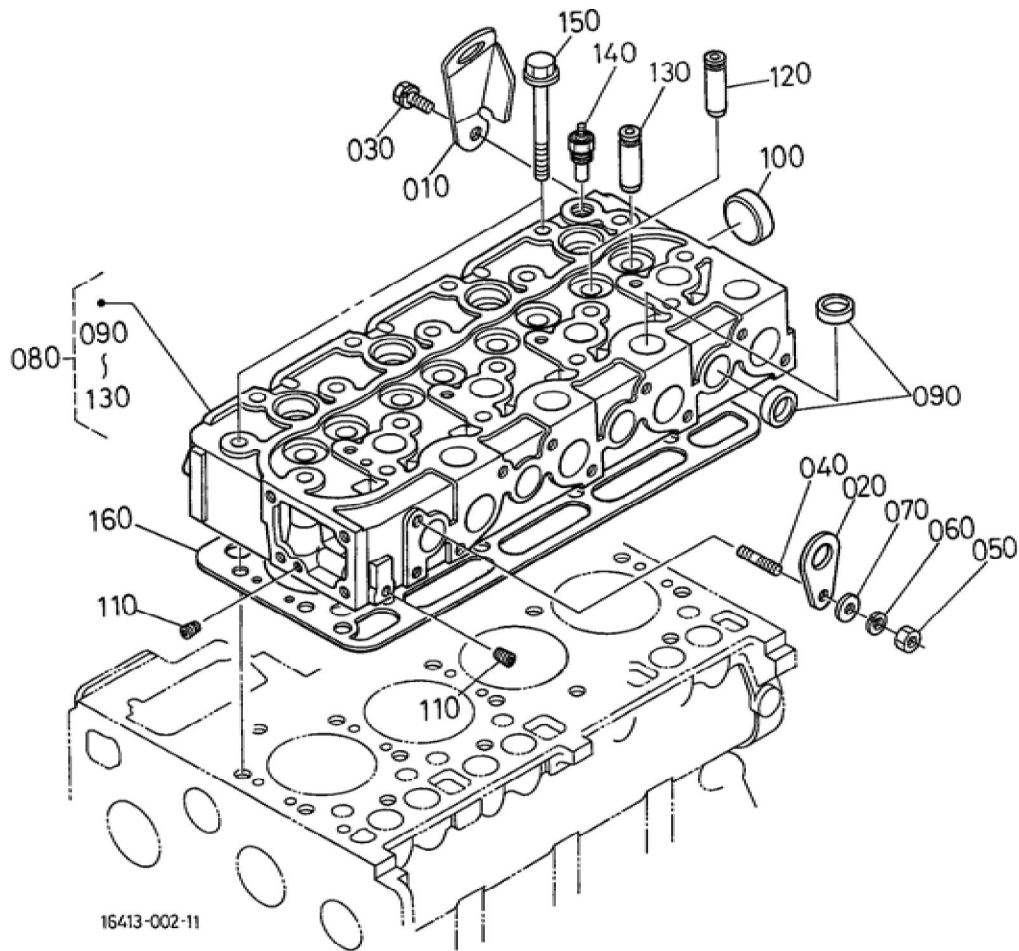
No.	Part Number	Part Name (POL)	Part Name (ENG)	QTY	IC	Serial No./PIN	Kg	Remarks
260	06311-85020	KAPPE	CAP SEALING	1			0.002	
270	15531-39010	OELDRUCKS CHALTER	SWITCH OIL	1			0.032	



BKIDA0101 >> U-45 >> MOTOR / ENGINE >> 000200 OELWANNE / OIL PAN

Update Date : 2016/01/07 Print Date : 2022/02/27

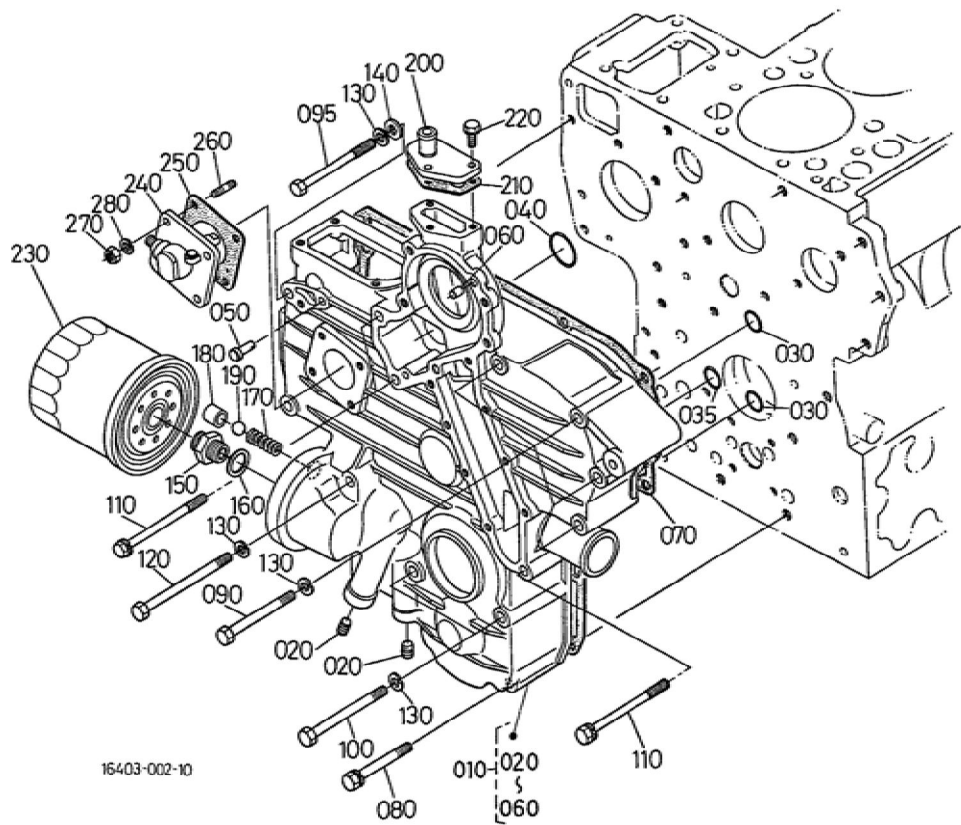
No.	Part Number	Part Name (POL)	Part Name (ENG)	QTY	IC	Serial No./PIN	Kg	Remarks
010	16649-01500	KOMP.OELW ANNE	COMP.OIL PAN	1			3.500	
020	19228-01620	DICHTUNG	GASKET OIL PAN	1			0.070	
030	17333-91010	SCHRAUBE	BOLT FLANGE	24			0.030	
040	16541-33750	ENTLEERUN GSSTOPFEN	PLUG DRAIN	2		<=10986	0.074	
040	15707-33750	ENTLEERUN GSSTOPFEN	PLUG DRAIN	2	=	=>10987	0.095	
050	15451-96670	DICHTUNG	GASKET	2			0.003	
060	16413-32110	OELFILTER	FILTER OIL	1			0.240	
070	01123-60816	SCHRAUBE	BOLT	1			0.010	
080	04814-00160	O RING	O RING	1			0.001	
090	16413-36412	OELMESSST AB	GAUGE OIL	1		<=10254	0.040	
090	16403-36410	OELMESSST AB	GAUGE OIL	1	NI	=>10255	0.045	
100	17456-36420	FUEHRUNG, OELMESSST AB	GUIDE OIL GAUGE	1		=>10255	0.030	



BKIDA0101 >> U-45 >> MOTOR / ENGINE >> 000300 ZYLINDERKOPF / CYLINDER HEAD

Update Date : 2016/01/07 Print Date : 2022/02/27

No.	Part Number	Part Name (POL)	Part Name (ENG)	QTY	IC	Serial No./PIN	Kg	Remarks
010	16415-01752	MOTORHAKE N	HOOK ENGINE	1			0.115	
020	15221-01750	MOTORHAKE N	HOOK ENGINE	1			0.040	
030	01123-60816	SCHRAUBE	BOLT	1			0.010	
040	15221-91530	STEBOLZEN	STUD	1			0.011	
050	02156-50080	MUTTER	NUT	1			0.004	
060	04512-60080	FEDERRING	WASHER SPRING	1			0.002	
070	04012-50080	SCHEIBE	WASHER PLAIN	1			0.001	
080	16429-03040	KOMP.ZYLIN DERKOPF	COMP.CYLIN DER HEAD	1			19.100	
090	15221-03370	STOPFEN	CAP SEALING	12			0.010	
100	15221-03490	STOPFEN	CAP SEALING	1			0.020	
110	15261-96010	STOPFEN	PLUG	2			0.002	
120	17321-13580	EINLASSVEN TILFUEHRUN G	GUIDE INLET VALVE	4			0.015	
130	17321-13560	AUSLASSVEN TILFUEHRUN G	GUIDE EXHAUST VALVE	4			0.020	
140	31351-32830	TEMPERATU RGEBER	SENSOR THERMO	1			0.020	
150	19013-03450	ZYLINDERKO PFSCHRAUB E	BOLT CYLINDER HEAD	18			0.077	
160	19077-03310	ZYLINDERKO PFDICHTUNG	GASKET CYLINDER HEAD	1			0.130	



BKIDA0101 >> U-45 >> MOTOR / ENGINE >> 000400 GETRIEBE GEHAEUSE / GEAR CASE

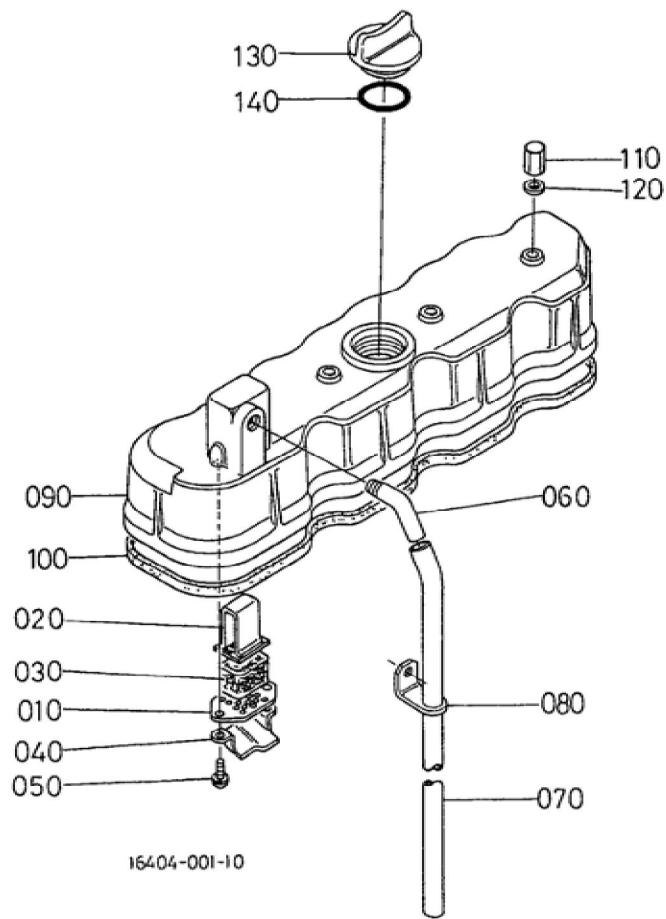
Update Date : 2016/01/07 Print Date : 2022/02/27

No.	Part Number	Part Name (POL)	Part Name (ENG)	QTY	IC	Serial No./PIN	Kg	Remarks
010	16343-04010	GRP.GETRIEBEGEHAEUSE	ASSY CASE GEAR	1			4.600	
020	16851-96010	STOPFEN	PLUG	2			0.015	
030	04814-00150	O RING	O RING	2			0.001	
035	04814-00200	O RING	O RING	1			0.010	
040	04814-00360	O RING	O RING	1			0.001	
050	15221-56280	STARTFEDERSTIFT	PIN START SPRING	1			0.006	
060	05012-00612	ZYLINDERSTIFT	PIN STRAIGHT	2			0.003	
070	15766-04132	DICHTUNG	GASKET GEAR CASE NA	1			0.030	
080	01123-50860	BOLZEN	BOLT	2			0.020	
090	01153-50870	BOLZEN	BOLT	5			0.026	
095	17367-91010	BOLZEN	BOLT	1			0.005	
100	01153-50880	BOLZEN	BOLT	2			0.030	
110	17367-91020	BOLZEN	BOLT	3			0.035	
120	01153-50895	BOLZEN	BOLT	2			0.035	
130	04512-60080	FEDERRING	WASHER SPRING	10			0.002	
140	04012-50080	SCHEIBE	WASHER PLAIN	1			0.001	
150	15521-32290	VERBINDUNGSSTUECK	JOINT PIPE	1			0.050	<=NOV.2000
150	15521-32293	VERBINDUNGSSTUECK	JOINT PIPE	1	>>		0.050	>=DEC.2000
160	04011-50180	SCHEIBE	WASHER PLAIN	1			0.012	<=NOV.2000
160	1G790-32302	VENTILSITZRING	COLLAR VALVE SEAT	1	NI		0.007	>=DEC.2000
170	15241-36950	FEDER	SPRING	1			0.004	
180	15521-36930	SITZ,VENTIL	SEAT VALVE	1			0.015	
190	07715-03213	KUGEL	BALL	1			0.004	
200	15521-73320	FLANSCH	FLANGE WATER RETURN	1			0.040	
210	15766-73330	DICHTUNG	GASKET WATER FLANGE	1		<=YU4210	0.002	

BKIDA0101 >> U-45 >> MOTOR / ENGINE >> 000400 GETRIEBE GEHAEUSE / GEAR CASE

Update Date : 2016/01/07 Print Date : 2022/02/27

No.	Part Number	Part Name (POL)	Part Name (ENG)	QTY	IC	Serial No./PIN	Kg	Remarks
210	1A021-73330	DICHTUNGSP LATTE	GASKET RETURN FLANGE	1	=	=>YW0981	0.001	
220	01023-50620	BOLZEN	BOLT	3			0.006	
230	17321-32430	OELFILTERP ATRONE	CARTRIDGE OIL FILTER	1			0.450	<=NOV.2000
230	16414-32430	OELFILTERP ATRONE	CARTRIDGE OIL FILTER	1	=		0.450	
230	HH164-32430	OELFILTERP ATRONE	CARTRIDGE OIL FILTER	1	>>		0.500	
240	38240-34660	ANTRIEB KOMP.	ASSY GEAR CASE H/M	1			0.335	
250	15296-88130	DICHTUNG	GASKET H/METER UNIT	1			0.002	
260	15221-88210	STEBOLZEN	STUD	4			0.005	
270	02056-50060	MUTTER	NUT	4			0.002	
280	04512-60060	FEDERRING	WASHER SPRING	4			0.001	

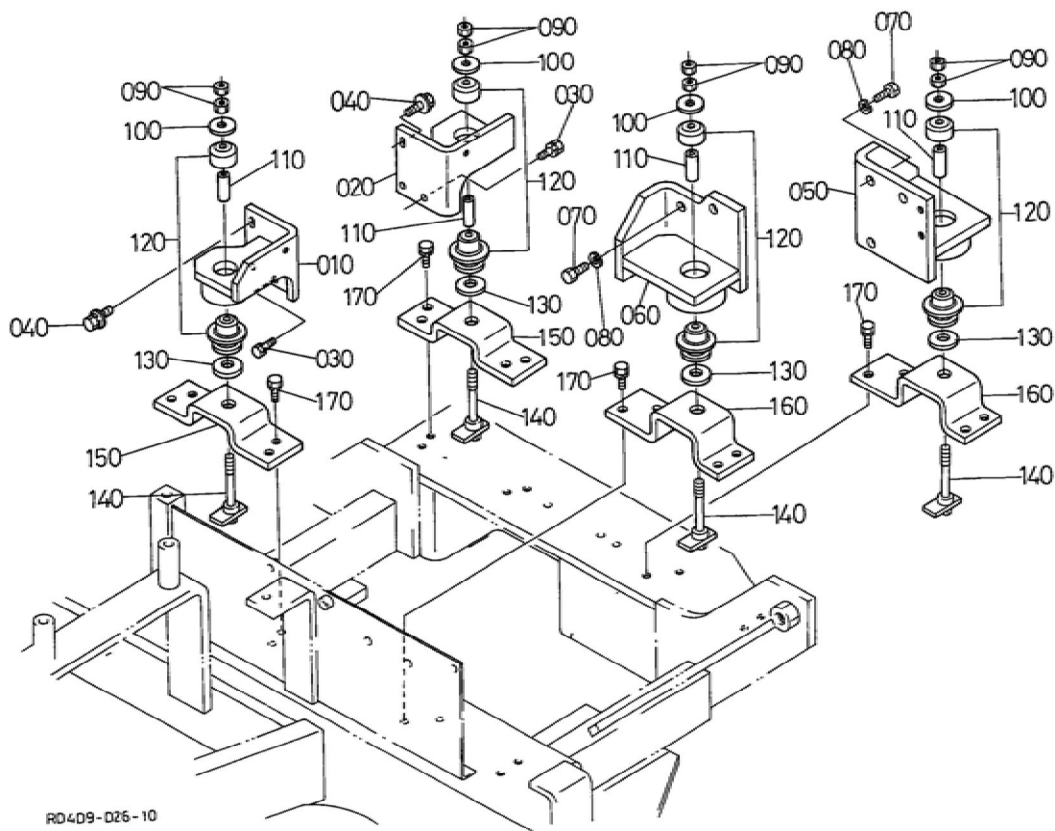


BKIDA0101 >> U-45 >> MOTOR / ENGINE >> 000500 VENTILDECKEL / HEAD COVER

Update Date : 2016/01/07 Print Date : 2022/02/27

No.	Part Number	Part Name (POL)	Part Name (ENG)	QTY	IC	Serial No./PIN	Kg	Remarks
010	15521-05140	PLATTE,ELEMENT	PLATE B/THER ELEMENT	1			0.005	
020	15521-05150	PLATTE,ELEMENT	PLATE B/THER ELEMENT	1			0.010	
030	15521-05670	ENTLUEFTUNGSELEMENT	ELEMENT BREATHER	1			0.010	
040	15521-05370	ENTLUEFTER	OIL SHIELD BREATHER	1			0.005	
050	03034-50510	SCHRAUBE	SCREW WITH WASHER	2			0.003	
060	15521-05550	ANSCHLUSS TEIL	JOINT BREATHER PIPE	1			0.040	
070	15521-05510	ENTLUEFTUNGSRÖHR	PIPE BREATHER	1			0.200	
080	15401-05580	ROHRKLEMME	CLAMP PIPE	1			0.020	
090	15434-14510	VENTILDECKEL	COVER CYL.HEAD	1			1.230	
100	15471-14520	VENTILDECKELDICHUNG	GASKET HEAD COVER	1			0.050	
110	15451-92330	MUTTER	NUT	4			0.008	
120	15021-33660	DICHTUNGSPLATTE	GASKET	4			0.001	
130	15852-33140	ÖLEINFÜLLSTOPFEN	PLUG OIL FILLER	1			0.038	
140	04814-50300	O RING	O RING	1			0.001	

Update Date : 2016/01/07 Print Date : 2022/02/27

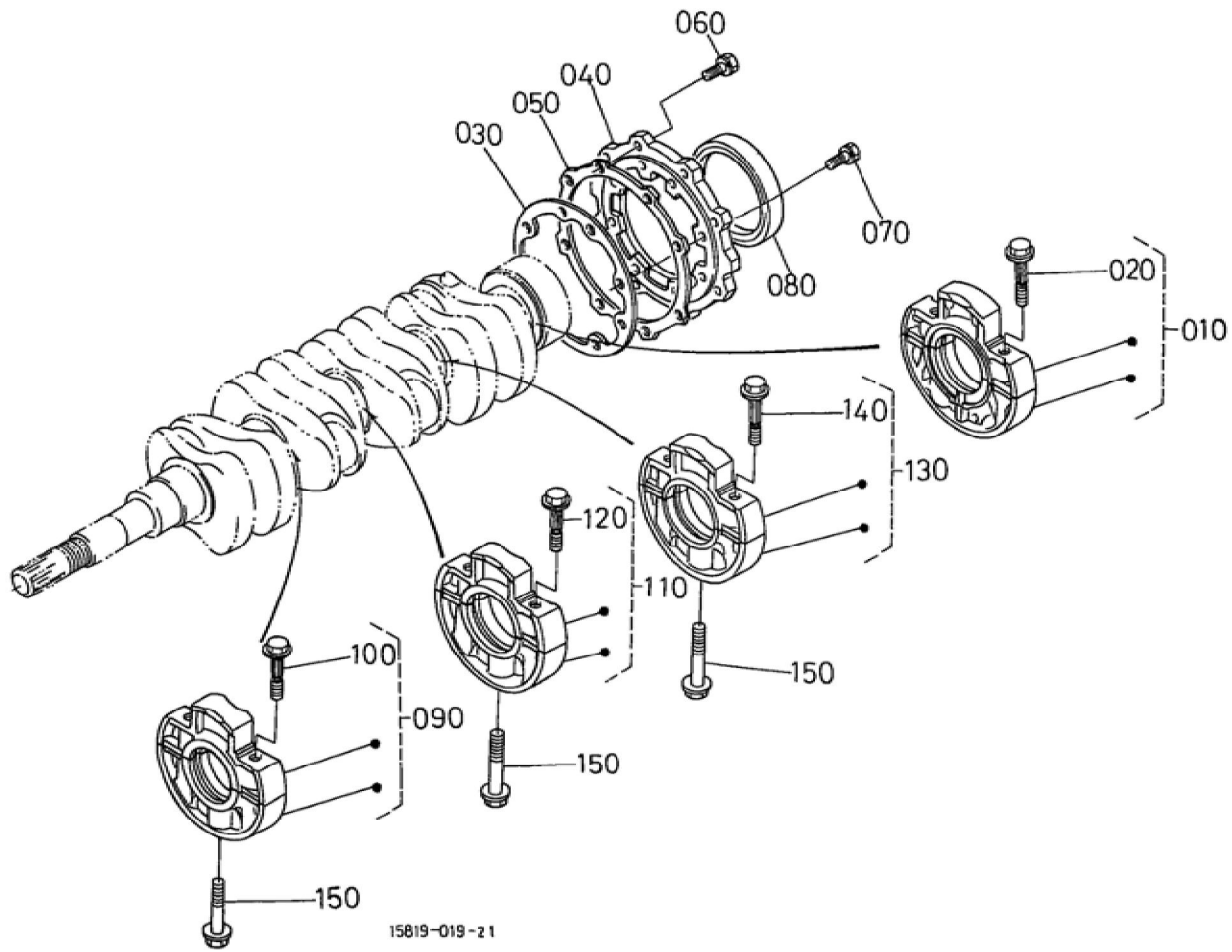


BKIDA0101 >> U-45 >> MOTOR / ENGINE >> 003000 MOTOR TRAEGER / ENGINE BRACKET

Update Date : 2016/01/07 Print Date : 2022/02/27

No.	Part Number	Part Name (POL)	Part Name (ENG)	QTY	IC	Serial No./PIN	Kg	Remarks
010	RD101-42110	TRAEGER,M OTOR	BRACKET ENGINE	1			3.500	
020	RD101-42125	TRAEGER,M OTOR	BRACKET ENGINE	1			3.300	
030	01133-61230	BOLZEN	BOLT	4			0.040	
040	01135-61230	BOLZEN	BOLT	2			0.050	
050	RD401-42130	TRAEGER,M OTOR	BRACKET ENGINE	1			4.170	
060	RD401-42140	TRAEGER,M OTOR	BRACKET ENGINE	1			2.500	
070	01173-61430	BOLZEN	BOLT	6			0.050	
080	04512-60140	FEDERRING	WASHER SPRING	6			0.008	
090	02176-60160	MUTTER	NUT	8			0.022	
100	68271-42170	SCHEIBE	WASHER	4			0.120	
110	RD101-42170	HUELSE	COLLAR	4			0.065	
120	69284-42150	GUMMI	ASSY CUSHION	4			0.250	
130	68271-42180	SCHEIBE	WASHER	4			0.200	
140	RP801-42190	BOLZEN	BOLT SUPPORT	4			0.255	
150	RD401-42160	TRAEGER,M OTOR	SUPPORT ENGINE	2			1.000	
160	RD401-42180	TRAEGER,M OTOR	SUPPORT ENGINE	2			1.130	
170	01133-61025	SCHRAUBE	BOLT	16			0.020	

Update Date : 2016/01/07 Print Date : 2022/02/27





Download the full PDF manual instantly.

Our customer service e-mail:

aservicemanualpdf@yahoo.com