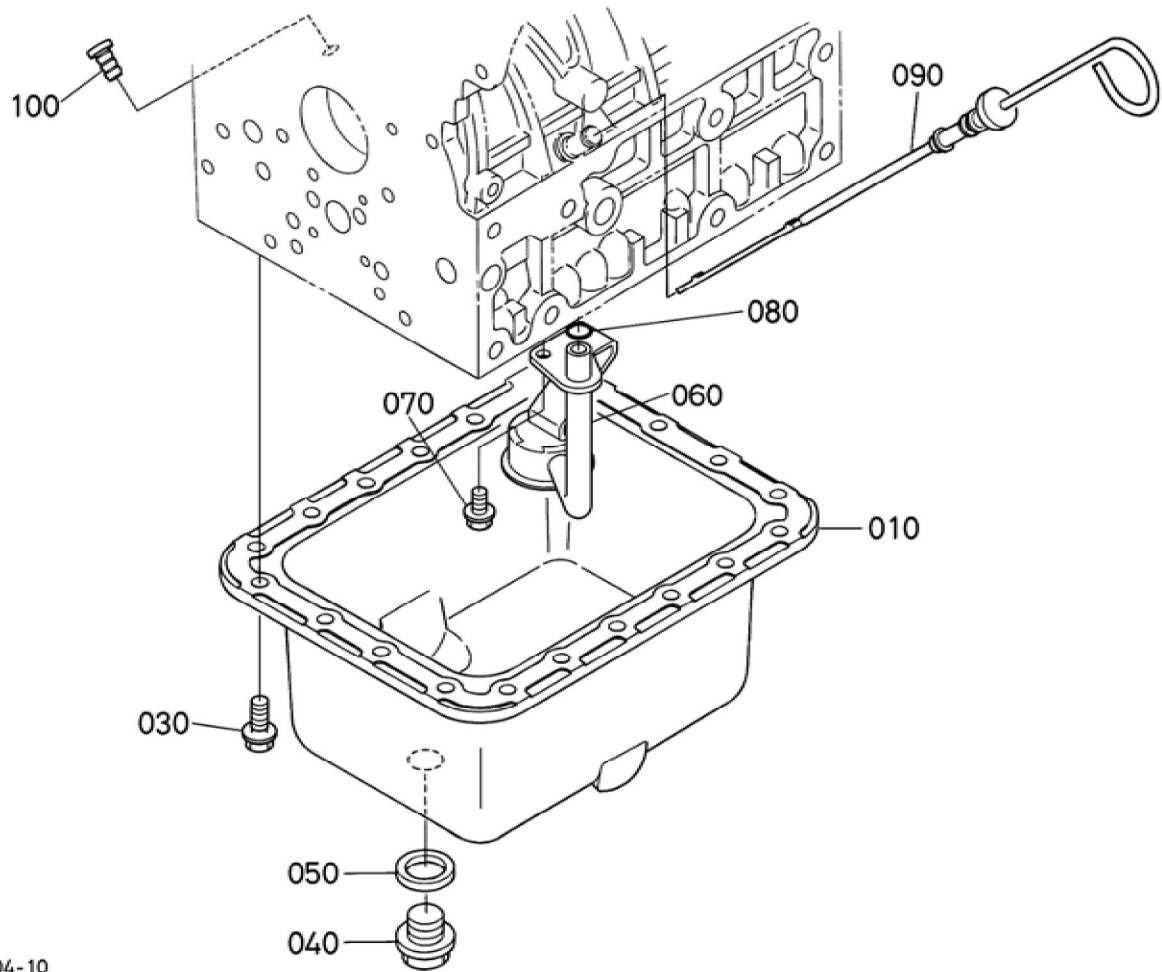


1G601-003-14

BKIDA5138 >> U36-4 >> MOTOR / ENGINE >> 000100 KURBELGHAEUSE / CRANKCASE

Update Date : 2020/05/28 Print Date : 2022/02/27

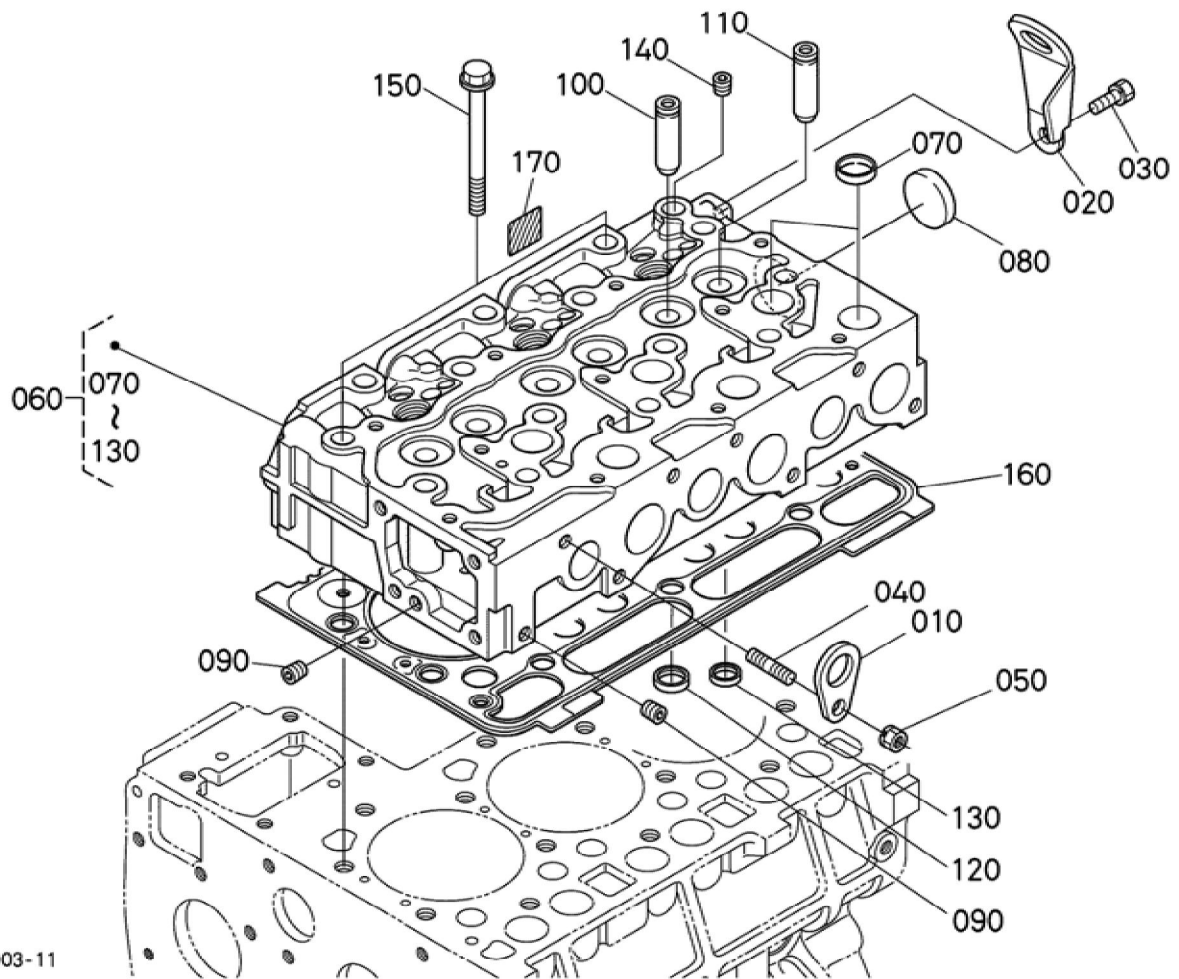
No.	Part Number	Part Name (POL)	Part Name (ENG)	QTY	IC	Serial No./PIN	Kg	Remarks
010	1A192-01010	KOMP.KURBELGEHAEUSE	CRANKCASE, COMP	1			49.000	
020	15521-96020	STOPFEN	PLUG	5			0.003	
030	15521-96030	STOPFEN	PLUG	2			0.007	
035	06312-10020	STOPFEN	W-PLUG	1			0.016	
040	17391-96160	STOPFEN	PLUG,EXPANSION	3			0.003	
050	16271-96160	STOPFEN	PLUG,EXPANSION	1			0.025	
060	15221-03380	STOPFEN	CAP,SEALING	5			0.017	
070	15221-03390	STOPFEN	CAP,SEALING	2			0.030	
080	05012-00408	ZYLINDERSTIFT	PIN,STRAIGHT	2			0.001	
090	05012-00609	ZYLINDERSTIFT	PIN,STRAIGHT	3			0.003	
100	05012-00612	ZYLINDERSTIFT	PIN, STRAIGHT	2			0.003	
110	05012-01018	ZYLINDERSTIFT	PIN,STRAIGHT	2			0.012	
120	15221-33650	ROHRSTIFT	PIN,PIPE	1			0.004	
130	16851-96270	KAPPE	CAP,SEALING	1			0.005	
135	17456-36420	FUEHRUNG, OELMESSSTAB	GUIDE (GAUGE,OIL)	1			0.030	
140	1G896-33610	BOLZEN	PLUG	1			0.008	
150	15021-33660	DICHTUNGSPLATTE	PACKING	1			0.001	
170	15471-35013	GRP.OELPUMPE	ASSY PUMP,OIL	1			0.550	
180	1A021-35150	DICHTUNGSPLATTE	GASKET,OIL PUMP	1			0.001	
190	01023-50650	BOLZEN	BOLT,SEMS	4			0.012	
200	1G896-35660	ZAHNRAD	GEAR,OIL PUMP DRIVE	1			0.135	
210	05712-00410	KEIL	KEY,FEATHER	1			0.001	
220	15221-35682	MUTTER	NUT	1			0.014	
230	T1850-39010	OELDRUCKSCHALTER	SWITCH,OIL	1			0.040	



BKIDA5138 >> U36-4 >> MOTOR / ENGINE >> 000200 OELWANNE / OIL PAN

Update Date : 2020/05/28 Print Date : 2022/02/27

No.	Part Number	Part Name (POL)	Part Name (ENG)	QTY	IC	Serial No./PIN	Kg	Remarks
010	1A053-01503	OELWANNE KOMP.	COMP.OIL PAN	1			1.925	
030	17333-91013	SCHRAUBE	BOLT,FLANG E	20			0.030	
040	15707-33750	ENTLEERUN GSSTOPFEN	PLUG(DRAIN)	1			0.095	
050	15451-96670	DICHTUNG	PACKING	1			0.003	
060	1G850-32110	OELFILTER	FILTER,OIL	1			0.255	
070	01754-50812	SCHRAUBE	BOLT,FLANG E	1			0.008	
080	04814-00160	O RING	O RING	1			0.001	
090	1A053-36414	OELMESSST AB	GAUGE,OIL	1			0.045	
100	1G513-36550	STOPFEN, OELMESSST AB	PLUG,OIL GAUGE	1			0.004	



BKIDA5138 >> U36-4 >> MOTOR / ENGINE >> 000300 ZYLINDERKOPF / CYLINDER HEAD

Update Date : 2020/05/28 Print Date : 2022/02/27

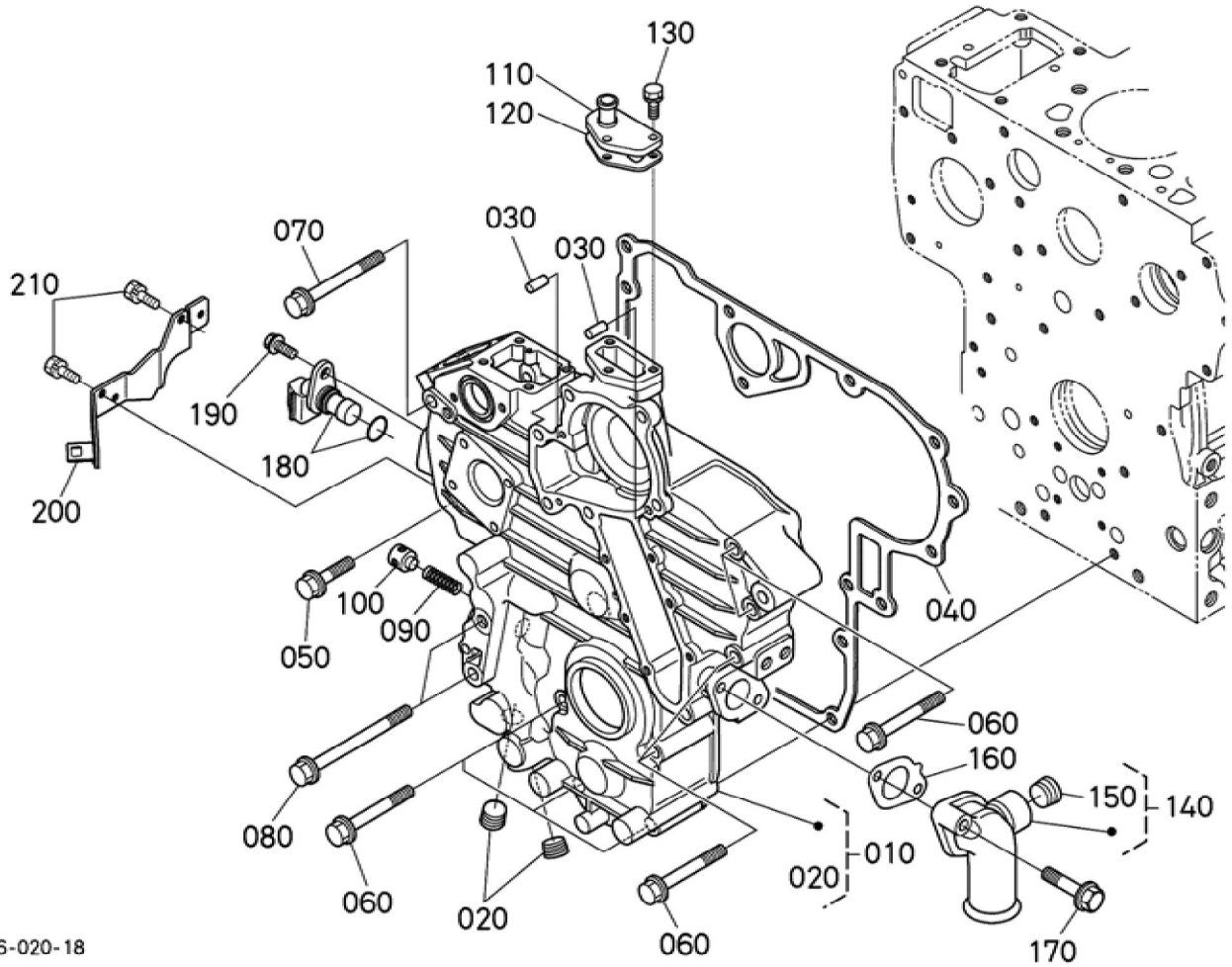
No.	Part Number	Part Name (POL)	Part Name (ENG)	QTY	IC	Serial No./PIN	Kg	Remarks
010	16415-01752	MOTORHAKE N	HOOK,ENGIN E	1			0.115	
020	15221-01750	MOTORHAKE N	HOOK,ENGIN E	1			0.040	
030	01123-50816	SCHRAUBE	BOLT,SEMS	1			0.011	
040	15471-91530	STEBOLZEN	BOLT,STUD	1			0.010	
050	16429-92010	MUTTER	NUT WITH LOCK WASHER	1			0.007	
060	1G757-03040	KOMP.ZYLIN DERKOPF	COMP.CYLIN DER HEAD	1		<=7JPZ999	15.000	
060	1J866-03040	KOMP.ZYLIN DERKOPF	HEAD,CYLIN DER,COMP	1	>>	>=7JQ0001	15.000	
070	15221-03370	STOPFEN	PLUG,CUP TYPE	9			0.010	
080	15221-03490	STOPFEN	CAP,SEALING	1			0.020	
090	15261-96010	STOPFEN	PLUG	2			0.002	
100	1G896-13580	EINLASSVEN TILFUEHRUN G	GUIDE,VALVE ,INLET	3		<=7JVZ999	0.020	
100	1J829-13580	VENTILFUEH RUNG	GUIDE,VALVE (INLET)	3	>>	>=7JW0001	0.020	
110	1C010-13560	AUSLASSVEN TILFUEHRUN G	GUIDE,EXHA UST VALVE	3		<=7JVZ999	0.025	
110	1J829-13560	VENTILFUEH RUNG	GUIDE,VALVE (EXHAUST)	3	>>	>=7JW0001	0.020	
120	17111-13620	VENTILSITZ	SEAT,INLET VALVE	3		<=7KHZ999	0.010	
120	1J812-13620	VENTILSITZ	SEAT,VALVE (INLET)	3	>>	>=7KK0001	0.010	
130	17111-13612	SITZ,AUSLAS SVENTIL	SEAT,EXHAU ST VALVE	3		<=7KHZ999	0.007	
130	1J812-13610	VENTILSITZA USPUFF	SEAT,VALVE (EXHAUST)	3	>>	>=7KK0001	0.010	
140	15841-96020	STOPFEN	PLUG	1			0.020	
150	19013-03450	ZYLINDERKO PFSCHRAUB E	BOLT,HEAD (CYLINDER)	14			0.077	
160	1G750-03602	ZYLINDERKO PFDICHTUNG	GASKET,CYL. HEAD	1			0.215	1.15mm

BKIDA5138 >> U36-4 >> MOTOR / ENGINE >> 000300 ZYLINDERKOPF / CYLINDER HEAD

Update Date : 2020/05/28 Print Date : 2022/02/27

No.	Part Number	Part Name (POL)	Part Name (ENG)	QTY	IC	Serial No./PIN	Kg	Remarks
160	1G750-03312	ZYLINDERKO PFDICHTUNG	GASKET,CYL. HEAD	1			0.220	1.20mm
160	1G750-03612	ZYLINDERKO PFDICHTUNG	GASKET,CYL. HEAD	1			0.235	1.25mm
160	1G750-03622	ZYLINDERKO PFDICHTUNG	GASKET,CYL. HEAD	1			0.245	1.30mm
160	1G750-03632	ZYLINDERKO PFDICHTUNG	GASKET,CYL. HEAD	1			0.255	1.35mm
170	1G790-87210	AUFKLEBER	LABEL,PUMP	1			0.001	

Update Date : 2020/05/28 Print Date : 2022/02/27



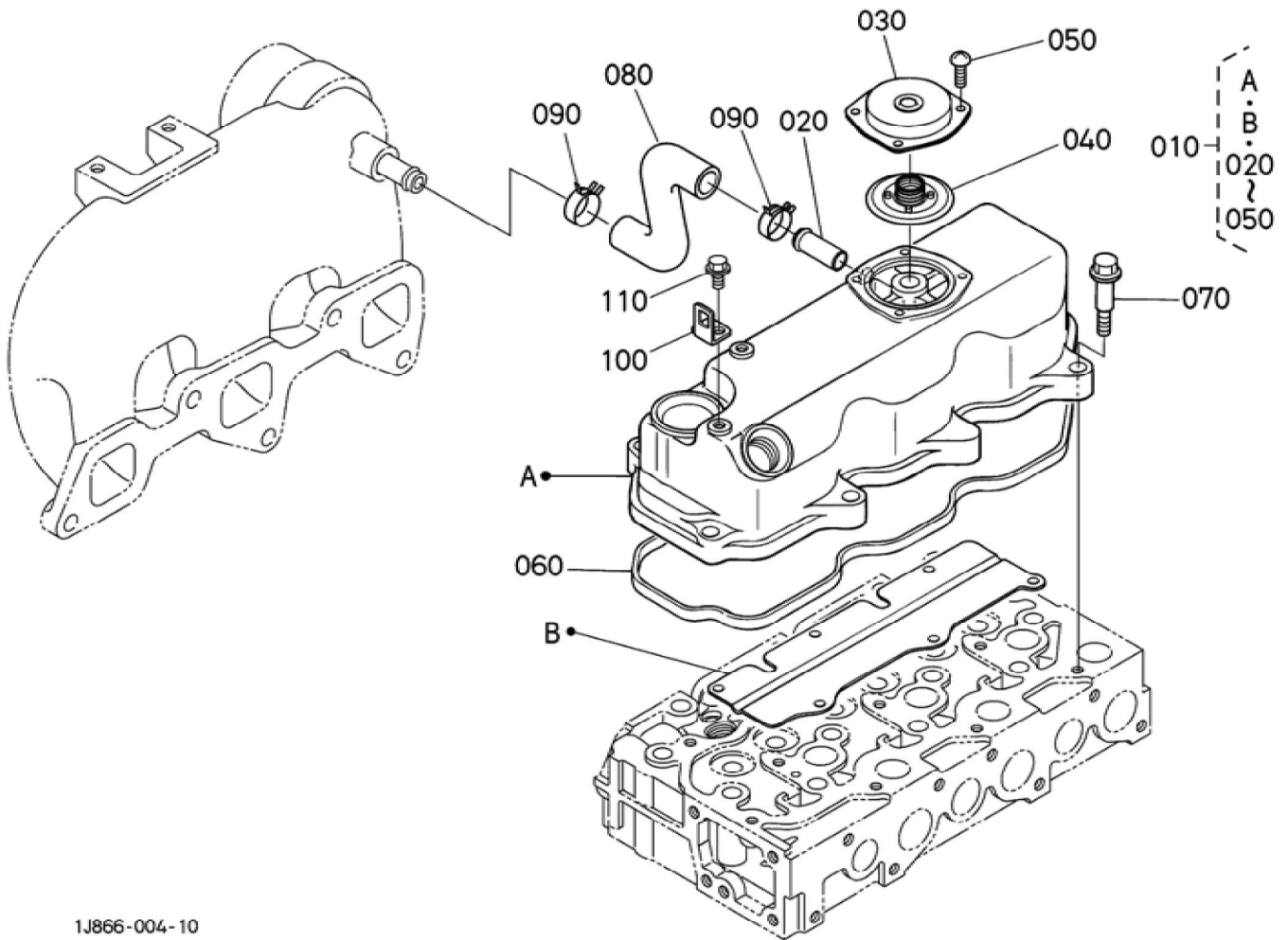
1J866-020-18

Update Date : 2020/05/28 Print Date : 2022/02/27

No.	Part Number	Part Name (POL)	Part Name (ENG)	QTY	IC	Serial No./PIN	Kg	Remarks
010	1A283-04020	KMP.GETRIEBE GEHAEUSE	CASE,GEAR, COMP	1			3.600	
020	16241-96020	STOPFEN	PLUG	2			0.015	
030	05012-00612	ZYLINDERSTIFT	PIN, STRAIGHT	2			0.003	
040	1G701-04130	DICHTUNG	GASKET,GEAR CASE	1			0.021	
050	01754-50830	SCHRAUBE	BOLT,FLANGE	1			0.016	
060	1A021-91030	SCHRAUBE	BOLT,SEMS	7			0.030	
070	01754-50875	SCHRAUBE	BOLT,FLANGE	1			0.030	
080	01754-50800	SCHRAUBE	BOLT,FLANGE	2			0.040	
090	1J866-36950	FRUEHLING	SPRING	1			0.005	
100	1J050-36930	UEBERLAUFVENTIL	VALVE (RELIEF)	1			0.005	
110	15521-73320	FLANSCH	FLANGE,WATER RETURN	1			0.040	
120	1A021-73332	DICHTUNGSP LATTE	GASKET (RETURN FLANGE)	1			0.001	
130	01023-50620	BOLZEN	BOLT,SEMS	3			0.006	
140	1A085-72800	KOMP.FLANSCH	COMP FLANGE,WATER	1			0.155	
150	1A021-96020	STOPFEN	PLUG	1			0.020	
160	1A053-72840	DICHTUNG	GASKET,WATER FLANGE	1		<=7HTZ999	0.001	
160	1A053-72842	DICHTUNG	GASKET,WATER FLANGE	1	>>	>=7HU0001	0.001	
170	01754-50840	SCHRAUBE	BOLT,FLANGE	2			0.020	
180	T1060-32270	DREHZAHLSENSOR	SENSOR	1		<=7HVZ999	0.022	SIEHE HINWEIS
180	5H911-42622	EINHEIT	SENSOR (REVOLUTION)	1	>>	>=7HW0001	0.025	
180	1G171-59660	DREHZAHLSENSOR	SENSOR (REVOLUTION)	1	>>	>=7JY0001	0.020	

Update Date : 2020/05/28 Print Date : 2022/02/27

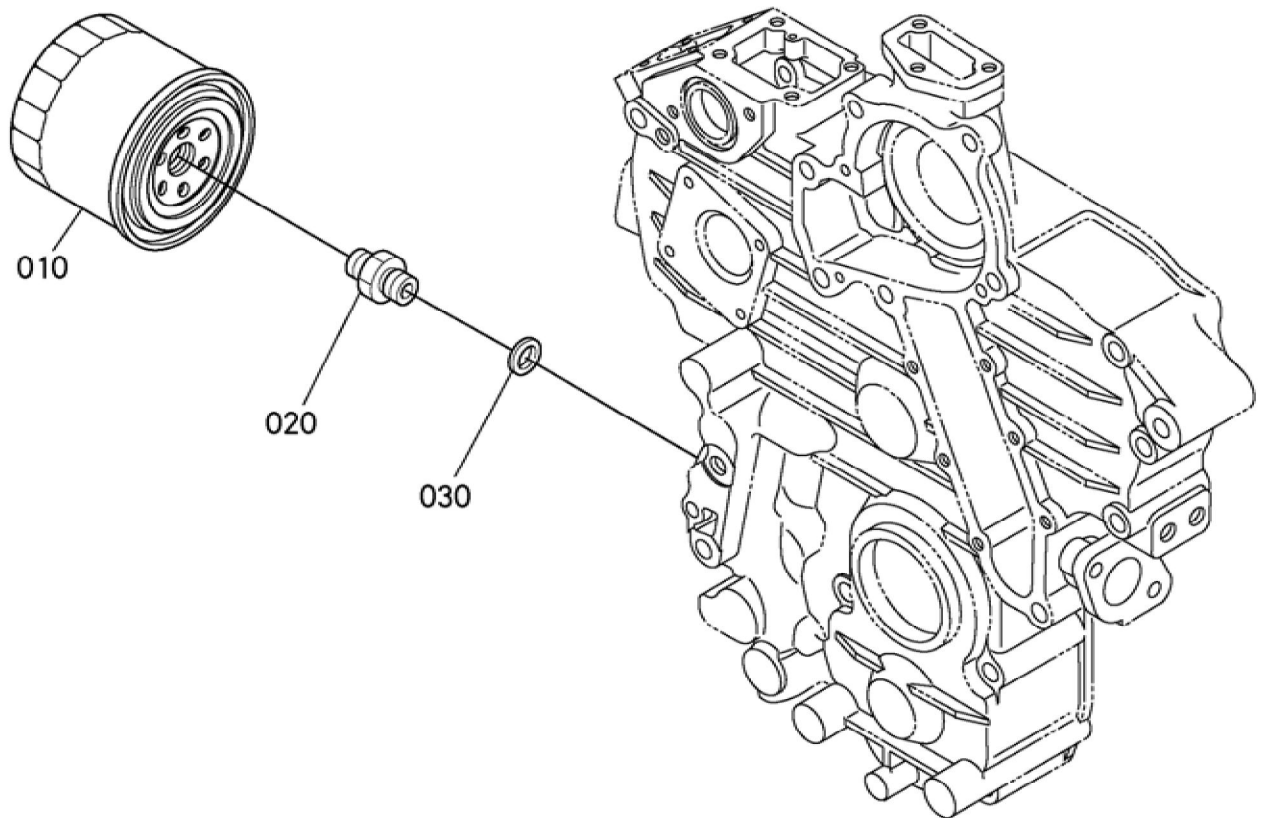
No.	Part Number	Part Name (POL)	Part Name (ENG)	QTY	IC	Serial No./PIN	Kg	Remarks
190	01023-50616	BOLZEN	BOLT,SEMS	1		<=7HTZ999	0.006	
190	01754-50616	SCHRAUBE	BOLT,FLANG E	1	>>	>=7HU0001	0.006	
200	RC788-53573	PLATTE	PLATE (HARNES CLAMP)	1			0.129	
210	01025-50612	SCHRAUBE	BOLT	2			0.005	



BKIDA5138 >> U36-4 >> MOTOR / ENGINE >> 000500 DECKEL OBEN / HEAD COVER

Update Date : 2020/05/28 Print Date : 2022/02/27

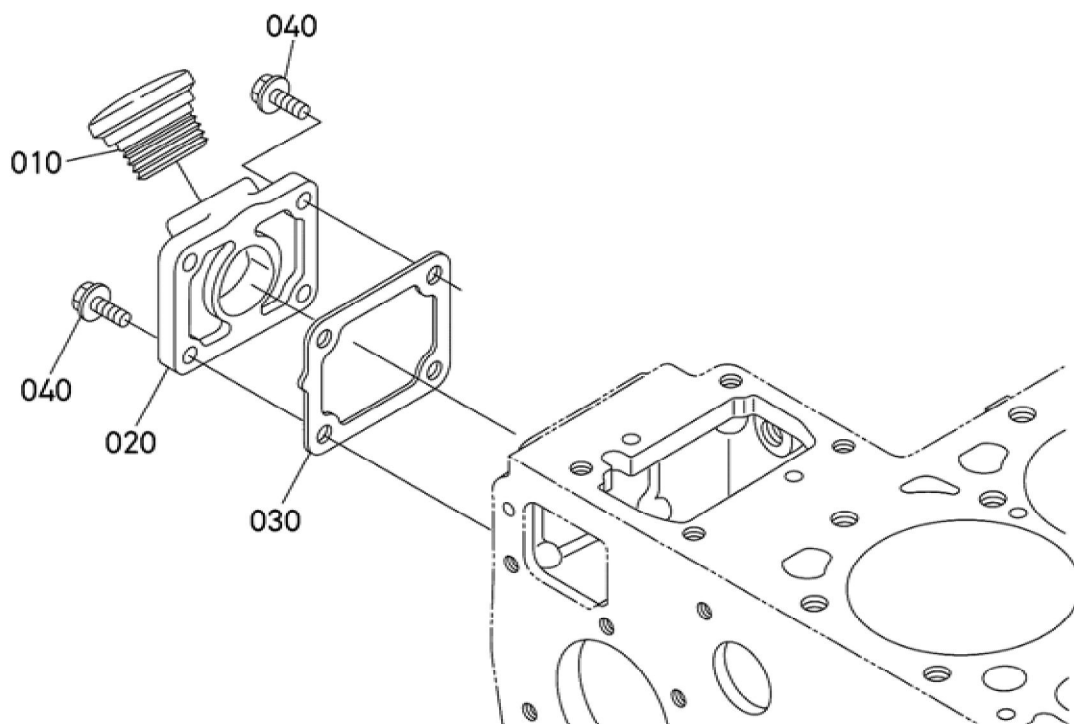
No.	Part Number	Part Name (POL)	Part Name (ENG)	QTY	IC	Serial No./PIN	Kg	Remarks
010	1J866-14500	DECKEL OBEN,KOMP.	COVER,HEAD ,ASSY	1			1.170	
020	17331-73342	WASSERROH R	PIPE,WATER RETURN	1			0.010	
030	1G801-05120	ENTLUEFTER DECKEL	COVER,BREA THER	1			0.035	
040	1G911-05203	ENTLUEFTER	COMP VALVE,BREA THER	1			0.010	
050	03054-50510	SCHRAUBE	SCREW,PAN HEAD (PHILLIPS)	4			0.003	
060	1A021-14523	VENTILDECK ELDICHTUNG	GASKET (COVER,HEA D)	1			0.020	
070	1G911-91022	BOLZEN	BOLT	8			0.015	
080	1G757-05512	ENTLUFTUN GSROHR	TUBE,BREAT HER	1			0.015	
090	09318-88155	SCHLAUCHBI NDER	CLAMP, HOSE	2			0.005	
100	RD809-53820	PLATTE	PLATE,CLAM P	1		<=7KDZ999	0.012	
100	1J702-65330	HALTER	BRACKET (WH,10)	1	>>	>=7KE0001	0.007	
110	01754-50612	SCHRAUBE	BOLT,FLANG E	1			0.005	



BKIDA5138 >> U36-4 >> MOTOR / ENGINE >> 000600 OELFILTER / OIL FILTER

Update Date : 2020/05/28 Print Date : 2022/02/27

No.	Part Number	Part Name (POL)	Part Name (ENG)	QTY	IC	Serial No./PIN	Kg	Remarks
010	HH151-32430	OELFILTERP ATRONE	CARTRIDGE, OIL FILTER	1			0.510	
020	1A021-32290	VERBINDUNG SSTUECK	PIPE(JOINT)	1			0.050	
030	1G790-32302	VENTILSITZRI NG	COLLAR,VAL VE SEAT	1			0.007	





Download the full PDF manual instantly.

Our customer service e-mail:

aservicemanualpdf@yahoo.com