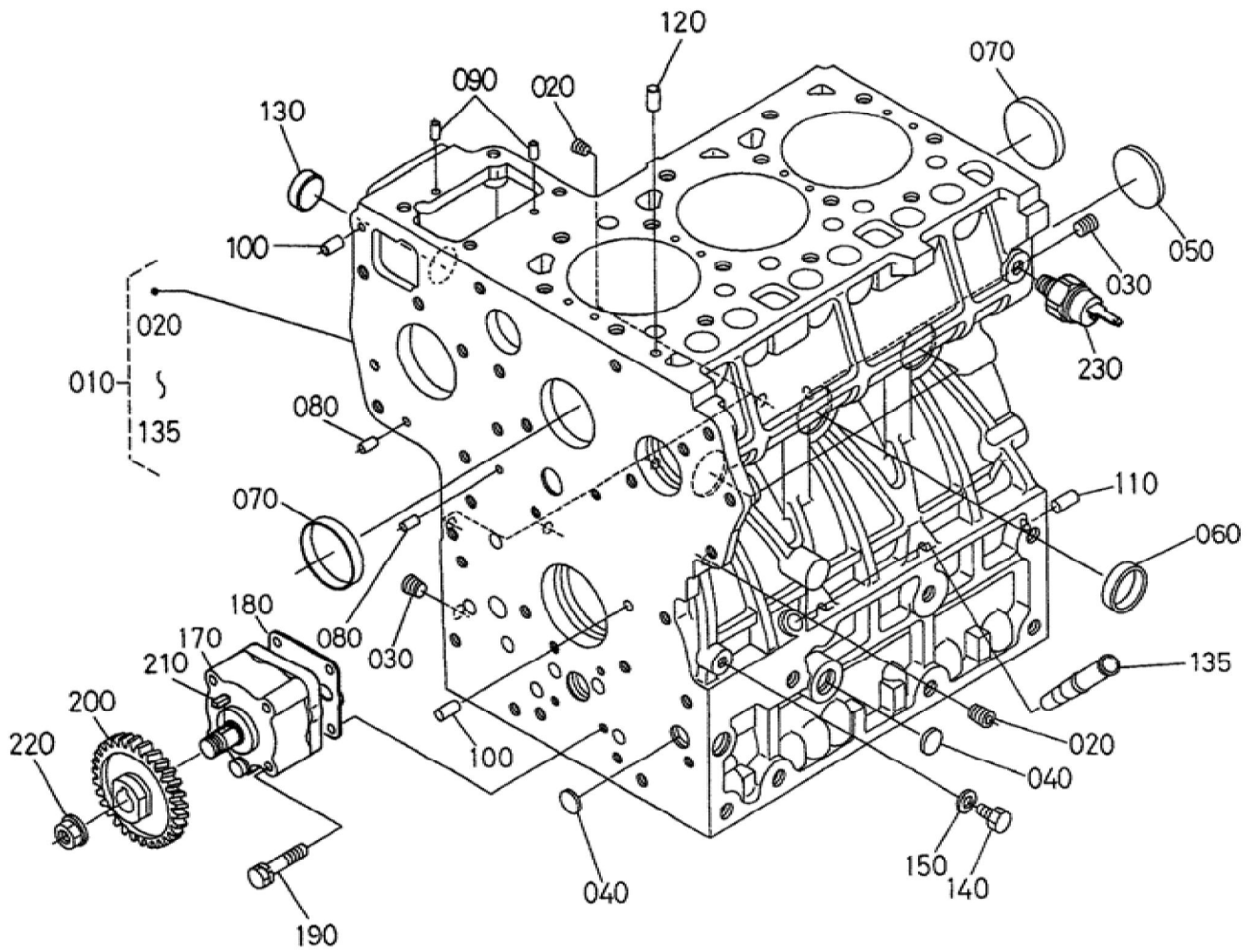
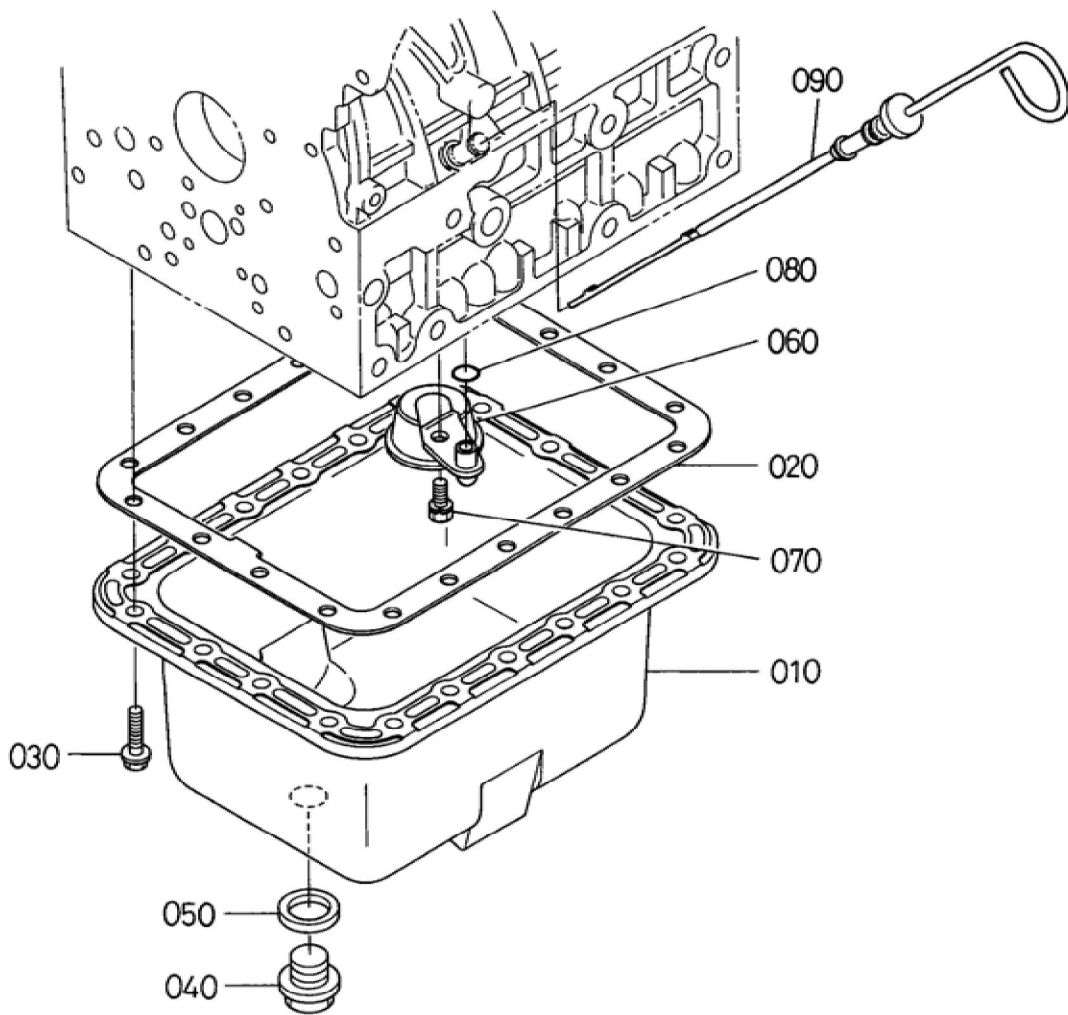


Update Date : 2020/01/16 Print Date : 2022/02/26



Update Date : 2020/01/16 Print Date : 2022/02/26

No.	Part Number	Part Name (POL)	Part Name (ENG)	QTY	IC	Serial No./PIN	Kg	Remarks
010	1A053-01010	KOMP.KURBELGEHAEUSE	COMP.CRANKCASE	1			48.500	
020	15521-96020	STOPFEN	PLUG	5			0.003	
030	15521-96030	STOPFEN	PLUG	3			0.007	
040	17391-96160	STOPFEN	PLUG,CONCAVE	3			0.003	
050	06311-75045	STOPFEN	PLUG EXPANSION	1			0.026	
060	15221-03380	STOPFEN	CAP,SEALING	5			0.017	
070	15221-03390	STOPFEN	CAP,SEALING	2			0.030	
080	05012-00408	ZYLINDERSTIFT	PIN,STRAIGHT	2			0.001	
090	05012-00609	ZYLINDERSTIFT	PIN,STRAIGHT	2			0.003	
100	05012-00612	ZYLINDERSTIFT	PIN, STRAIGHT	2			0.003	
110	05012-01018	ZYLINDERSTIFT	PIN,STRAIGHT	1			0.012	
120	15221-33650	ROHRSTIFT	PIN PIPE	1			0.004	
130	06311-85020	KAPPE	CAP,SEALING	1			0.002	
135	17456-36420	FUEHRUNG, OELMESSSTAB	GUIDE (GAUGE,OIL)	1			0.030	
140	15221-33610	STOPFEN	PLUG	1			0.009	
150	15021-33660	DICHTUNGSPLATTE	GASKET	1			0.001	
170	15471-35012	GRP.OELPUMPE	ASSY PUMP OIL	1			0.550	
180	1A021-35150	DICHTUNGSPLATTE	GASKET OIL PUMP	1			0.001	
190	01023-60650	BOLZEN	BOLT(WITH WASHER)	4			0.015	
200	19202-35660	ZAHNRAD	GEAR OIL PUMP DRIVE	1			0.230	
210	05712-00410	KEIL	KEY,FEATHER	1			0.001	
220	15221-35682	MUTTER	NUT	1			0.014	
230	1A024-39010	OELDRUCKSCHALTER	SWITCH(OIL)	1			0.035	

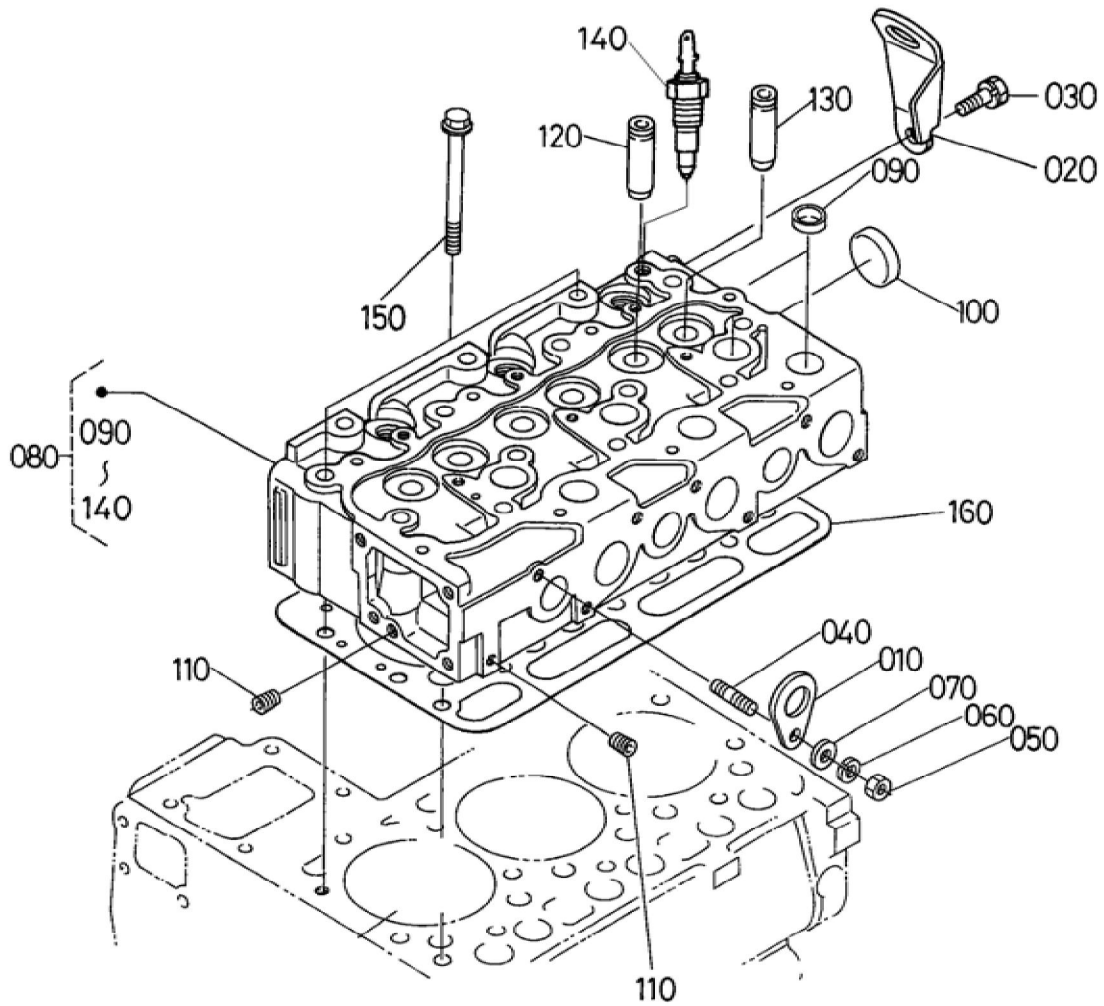


BKIDK0455 >> U35-3 [S/N;55001~69999] >> MOTOR / ENGINE >> S00200 OELWANNE / OIL PAN

Update Date : 2020/01/16 Print Date : 2022/02/26

No.	Part Number	Part Name (POL)	Part Name (ENG)	QTY	IC	Serial No./PIN	Kg	Remarks
010	1A053-01500	KOMP.OELW ANNE	COMP.OIL PAN	1			1.925	
020	15313-01620	DICHTUNG	GASKET,OIL PAN	1			0.055	
030	17333-91010	SCHRAUBE	BOLT,FLANG E	20			0.030	
040	15707-33754	STOPFEN	PLUG,DRAIN	1			0.000	
050	15451-96670	DICHTUNG	GASKET	1			0.003	
060	16413-32110	OELFILTER	FILTER,OIL	1			0.240	
070	01123-50814	BOLZEN	BOLT,SEMS	1			0.010	
080	04814-00160	O RING	O RING	1			0.001	
090	1A053-36410	OELMESSST AB	GAUGE,OIL	1			0.045	

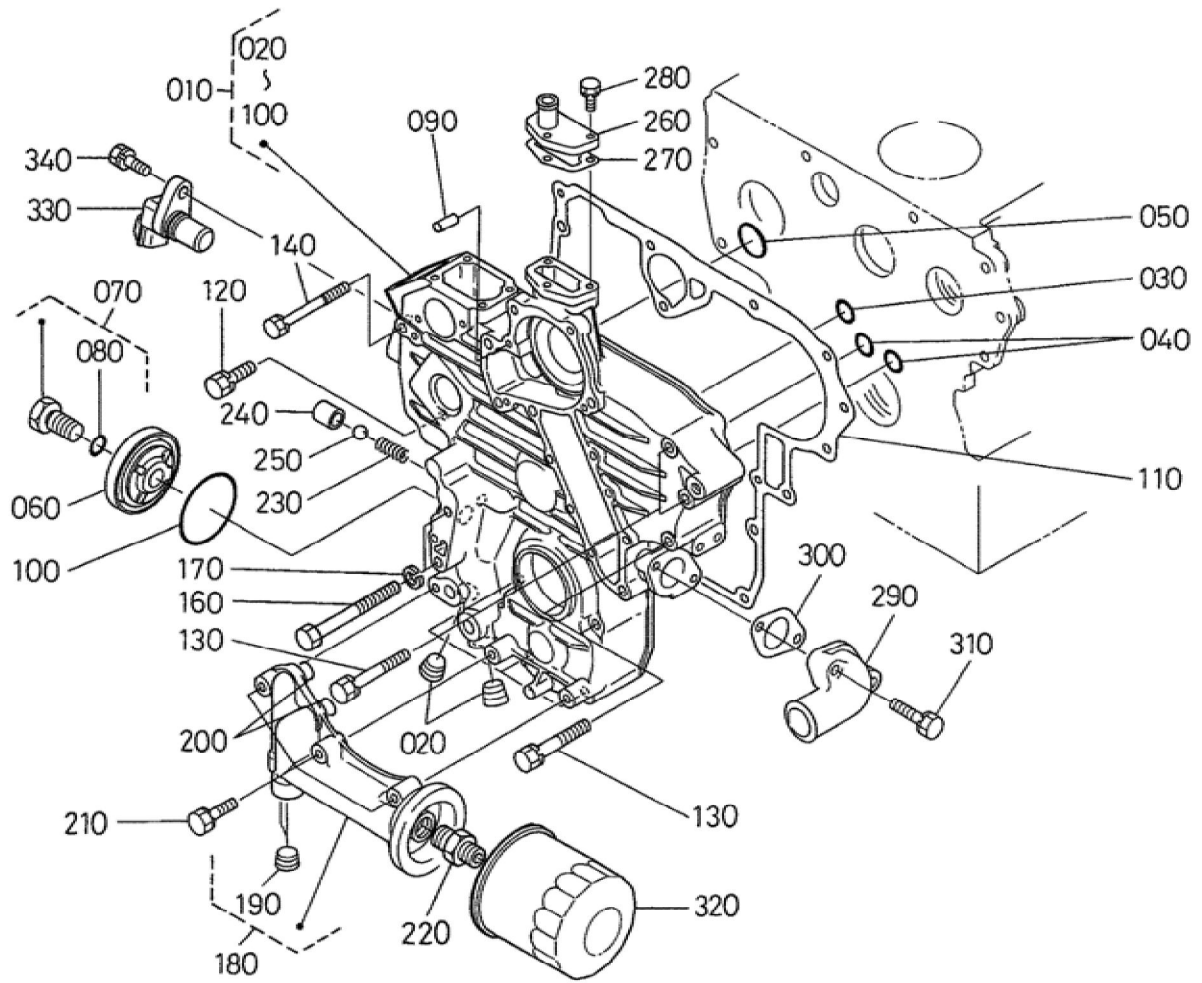
Update Date : 2020/01/16 Print Date : 2022/02/26



Update Date : 2020/01/16 Print Date : 2022/02/26

No.	Part Number	Part Name (POL)	Part Name (ENG)	QTY	IC	Serial No./PIN	Kg	Remarks
010	15221-01750	MOTORHAKE N	HOOK (ENGINE)	1			0.040	
020	16415-01752	MOTORHAKE N	HOOK,ENGIN E	1			0.115	
030	01123-50816	SCHRAUBE	BOLT,SEMS	1			0.011	
040	15471-91530	STEBOLZEN	STUD	1			0.010	
050	02156-50080	MUTTER	HEX.NUT	1			0.004	
060	04512-50080	FEDERRING	WASHER,SP RING LOCK	1			0.002	
070	04012-50080	SCHEIBE	WASHER,PLA IN	1			0.001	
080	1A051-03040	KOMP. ZYLINDERKO PF	COMP. CYLINDER HEAD	1			15.000	
090	15221-03370	STOPFEN	PLUG,CUP TYPE	9			0.010	
100	15221-03490	STOPFEN	PLUG,CUP TYPE	1			0.020	
110	15261-96010	STOPFEN	PLUG	2			0.002	
120	17321-13580	EINLASSVEN TILFUEHRUN G	GUIDE,VALVE (INLET)	3			0.015	
130	17321-13560	AUSLASSVEN TILFUEHRUN G	GUIDE,EXHA UST VALVE	3			0.020	
140	31351-32830	TEMPERATU RGEBER	SENSOR (THERMO)	1			0.020	
150	19013-03450	ZYLINDERKO PFSCHRAUB E	BOLT,HEAD (CYLINDER)	14			0.077	
160	1G720-03310	ZYLINDERKO PFDICHTUNG	GASKET,CYL. HEAD	1			0.220	

Update Date : 2020/01/16 Print Date : 2022/02/26



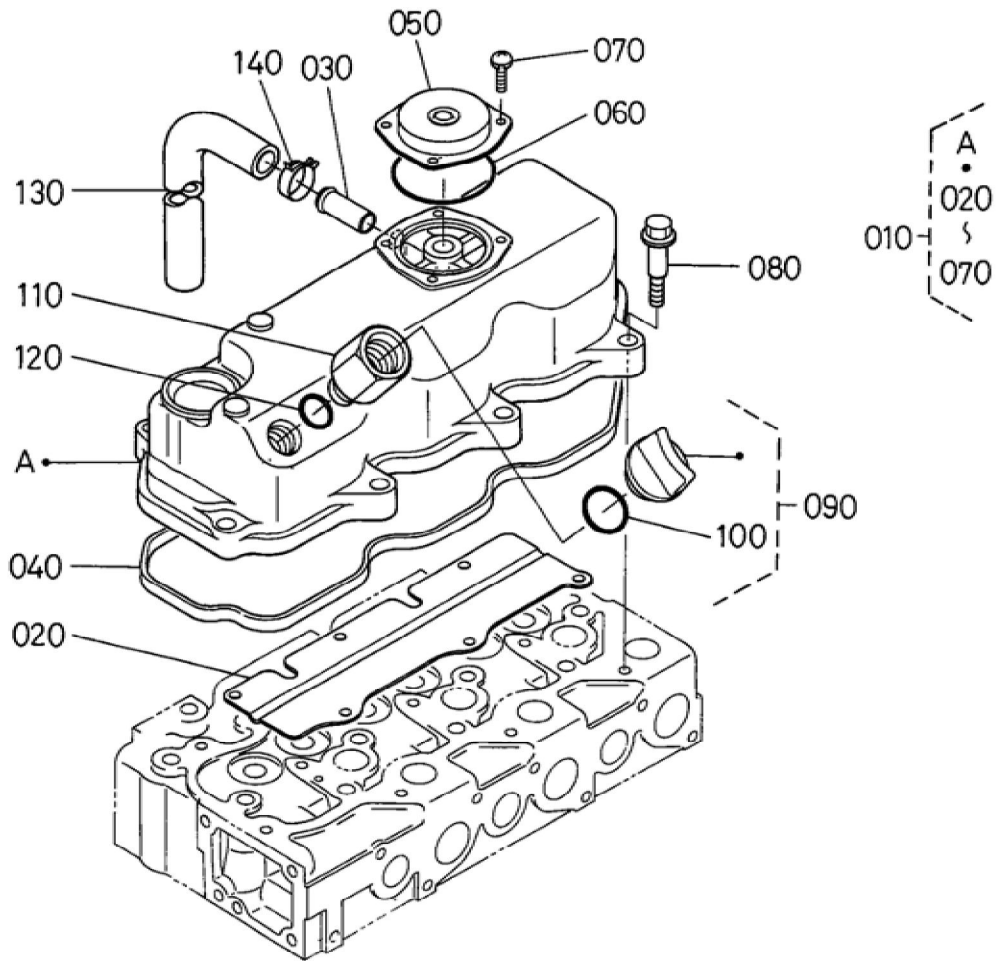
Update Date : 2020/01/16 Print Date : 2022/02/26

No.	Part Number	Part Name (POL)	Part Name (ENG)	QTY	IC	Serial No./PIN	Kg	Remarks
010	1G723-04010	GRP.GETRIEBE GEHAEUSE	ASSY CASE,GEAR	1			3.700	
020	16241-96020	STOPFEN	PLUG	3			0.015	
030	04814-00150	O RING	O RING	1			0.001	
040	04814-00220	O RING	O RING	2			0.001	
050	04814-00360	O RING	RING	1			0.001	
060	17331-32880	DECKEL	COVER	1			0.075	
070	1A053-32910	KOMP.BOLZEN	COMP BOLT	1			0.066	
080	04814-00150	O RING	O RING	1			0.001	
090	05012-00612	ZYLINDERSTIFT	PIN, STRAIGHT	2			0.003	
100	19202-96830	O RING	O-RING	1			0.010	
110	1A021-04130	DICHTUNG	GASKET (CASE,GEAR)	1			0.019	
120	01123-50835	BOLZEN	BOLT,SEMS	1			0.020	
130	01123-50870	BOLZEN	BOLT,SEMS	7			0.029	
140	17367-91010	BOLZEN	BOLT	1			0.005	
160	01153-50802	BOLZEN	HEX.BOLT	2			0.040	
170	04512-50080	FEDERRING	WASHER,SPRING RING LOCK	2			0.002	
180	1A053-32600	OELFILTERKONSOLE	COMP.BASE, OIL FILTER	1			0.505	
190	16241-96020	STOPFEN	PLUG	2			0.015	
200	04814-00150	O RING	O RING	2			0.001	
210	01123-50840	BOLZEN	BOLT,SEMS	3			0.018	
220	15521-32290	VERBINDUNGSSTUECK	JOINT,PIPE	1			0.050	
230	15241-36950	FEDER	SPRING	1			0.004	
240	15521-36930	SITZ,VENTIL	SEAT,VALVE	1			0.015	
250	07715-03213	KUGEL	BALL	1			0.004	
260	15521-73320	FLANSCH	FLANGE (WATER RETURN)	1			0.040	
270	1A021-73330	DICHTUNGSPLATTE	GASKET (RETURN FLANGE)	1			0.001	
280	01023-50620	BOLZEN	BOLT,SEMS	3			0.006	
290	1A053-72830	FLANSCH	FLANGE,WATER	1			0.135	

Update Date : 2020/01/16 Print Date : 2022/02/26

No.	Part Number	Part Name (POL)	Part Name (ENG)	QTY	IC	Serial No./PIN	Kg	Remarks
300	1A053-72840	DICHTUNG	GASKET,WATER FLANGE	1			0.001	
310	01123-50840	BOLZEN	BOLT,SEMS	2			0.018	
320	1C010-32430	OELFILTERP ATRONE	CARTRIDGE, OIL FILTER	1			0.450	
330	T1060-32270	DREHZAHL SENSOR	SENSOR (REVOLUTION)	1			0.022	
340	01023-50616	BOLZEN	BOLT,SEMS	1			0.006	

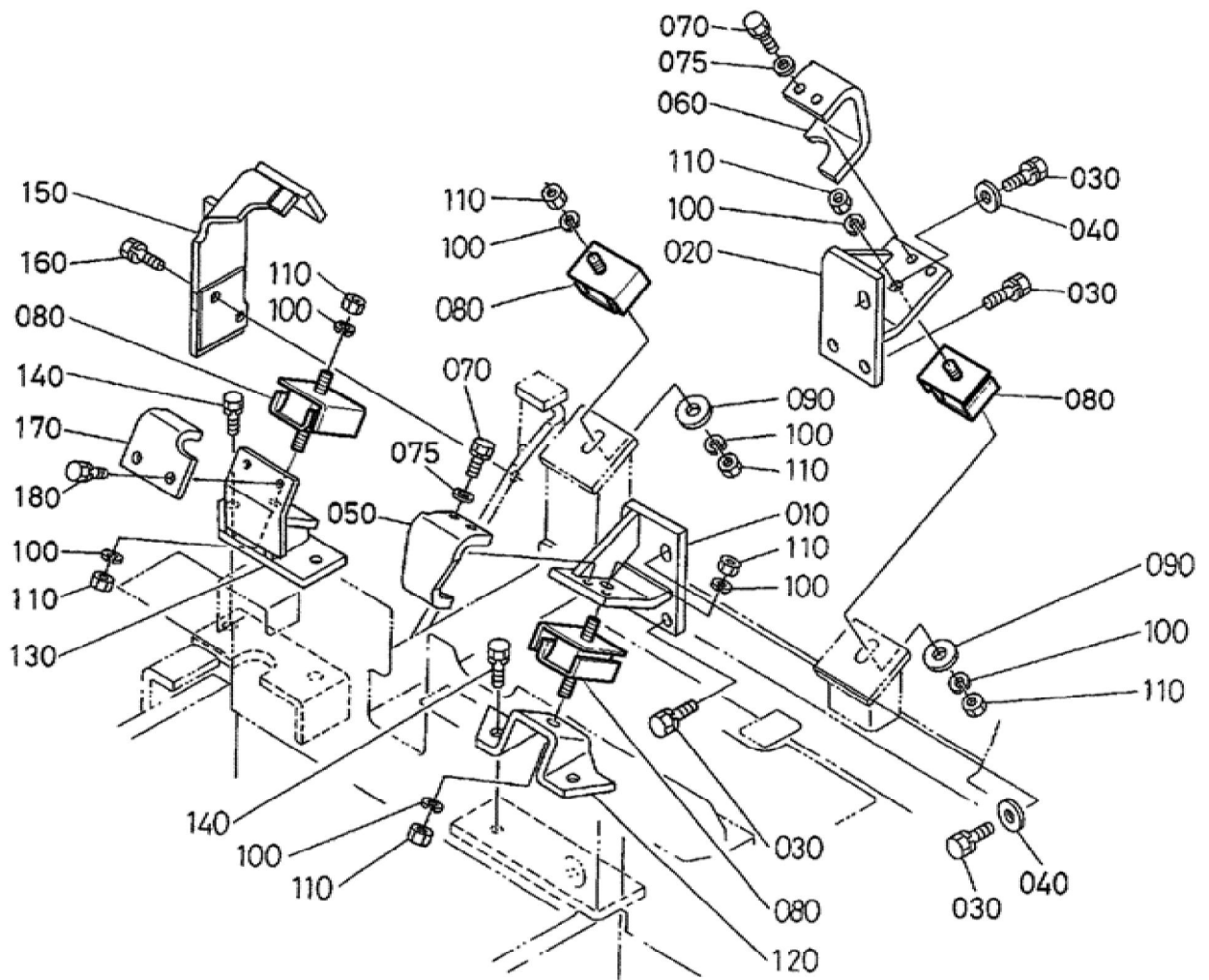
Update Date : 2020/01/16 Print Date : 2022/02/26



Update Date : 2020/01/16 Print Date : 2022/02/26

No.	Part Number	Part Name (POL)	Part Name (ENG)	QTY	IC	Serial No./PIN	Kg	Remarks
010	1A053-14500	DECKEL ZYLINDERKO PF	ASSY COVER CYL. HEAD	1			1.230	
020	1A021-05370	OELSCHILD,E NTLUEFTER	SHIELD,BREA THER	1			0.100	
030	17331-73340	WASSERROH R	PIPE,WATER RETURN	1			0.000	
040	1A021-14520	VENTILDECK ELDICHTUNG	GASKET,HEA D COVER	1			0.020	
050	1A021-05120	ENTLUEFTER DECKEL	COVER,BREA THER	1			0.039	
060	1A021-05430	O RING	O-RING (BREATHER)	1			0.001	
070	03024-50510	SCHRAUBE	SCREW,SEM S(PAN HEAD)	4			0.002	
080	03024-50510	SCHRAUBE	SCREW,SEM S(PAN HEAD)	8			0.002	
090	1A053-33080	BLINDSTOPF EN	ASSY PLUG,O/FILL ER	1			0.013	
100	04814-06230	O RING	O RING	1			0.001	
110	RG511-42810	ADAPTER	ADAPTER	1			0.244	
120	RG208-86550	O-RING	O-RING	1			0.000	
130	1A053-05510	ENTLUEFTUN GSROHR	TUBE (BREATHER)	1			0.085	
140	09318-88150	SCHLAUCHBI NDER	CLAMPHOSE	1			0.004	

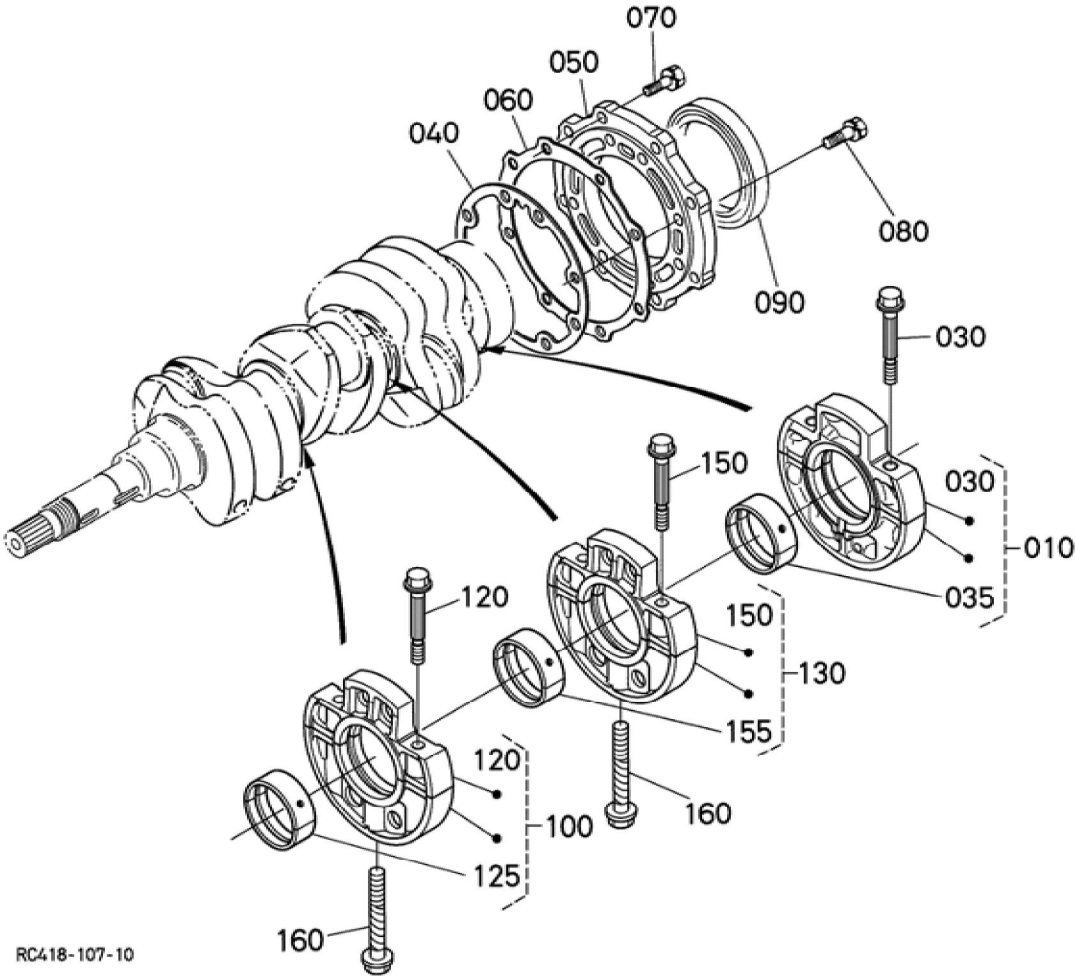
Update Date : 2020/01/16 Print Date : 2022/02/26



Update Date : 2020/01/16 Print Date : 2022/02/26

No.	Part Number	Part Name (POL)	Part Name (ENG)	QTY	IC	Serial No./PIN	Kg	Remarks
010	RG511-42910	HALTER	BRACKET (1 ENGINE)	1			1.390	
020	RG511-42920	HALTER	BRACKET (2 ENGINE)	1			1.375	
030	01133-61225	BOLZEN	BOLT	6			0.037	
040	RG201-21790	SCHEIBE	WASHER	2			0.005	
050	RG511-42950	ANSCHLAG	STOPPER (1 ENGINE)	1			0.635	
060	RG511-42960	ANSCHLAG	STOPPER (2 ENGINE)	1			0.845	
070	01133-61025	SCHRAUBE	BOLT	4			0.020	
075	53511-27170	SCHEIBE	WASHER	4			0.007	
080	RC417-42990	GUMMIPUFFER	CUSHION,RUBBER	4			0.820	
090	RG511-42140	SCHEIBE	FLAT WASHER	2			0.025	
100	04512-60120	FEDERRING	WASHER,SPRING	8			0.005	
110	02114-60120	MUTTER	NUT	8			0.011	
120	RC411-42930	MOTORSTUE TZE	SUPPORT,ENGINE	1			0.000	
130	RG511-42940	KONSOLE	SUPPORT (2 ENGINE)	1			1.470	
140	01133-61025	SCHRAUBE	BOLT	4			0.020	
150	RG511-42970	ANSCHLAG	STOPPER (3 ENGINE)	1			1.615	
160	01133-61030	SCHRAUBE	BOLT	2			0.023	
170	RG511-42190	ANSCHLAG	STOPPER (4 ENGINE)	1			0.385	
180	01133-61025	SCHRAUBE	BOLT	2			0.020	

Update Date : 2020/01/16 Print Date : 2022/02/26



RC418-107-10



Download the full PDF manual instantly.

Our customer service e-mail:

aservicemanualpdf@yahoo.com