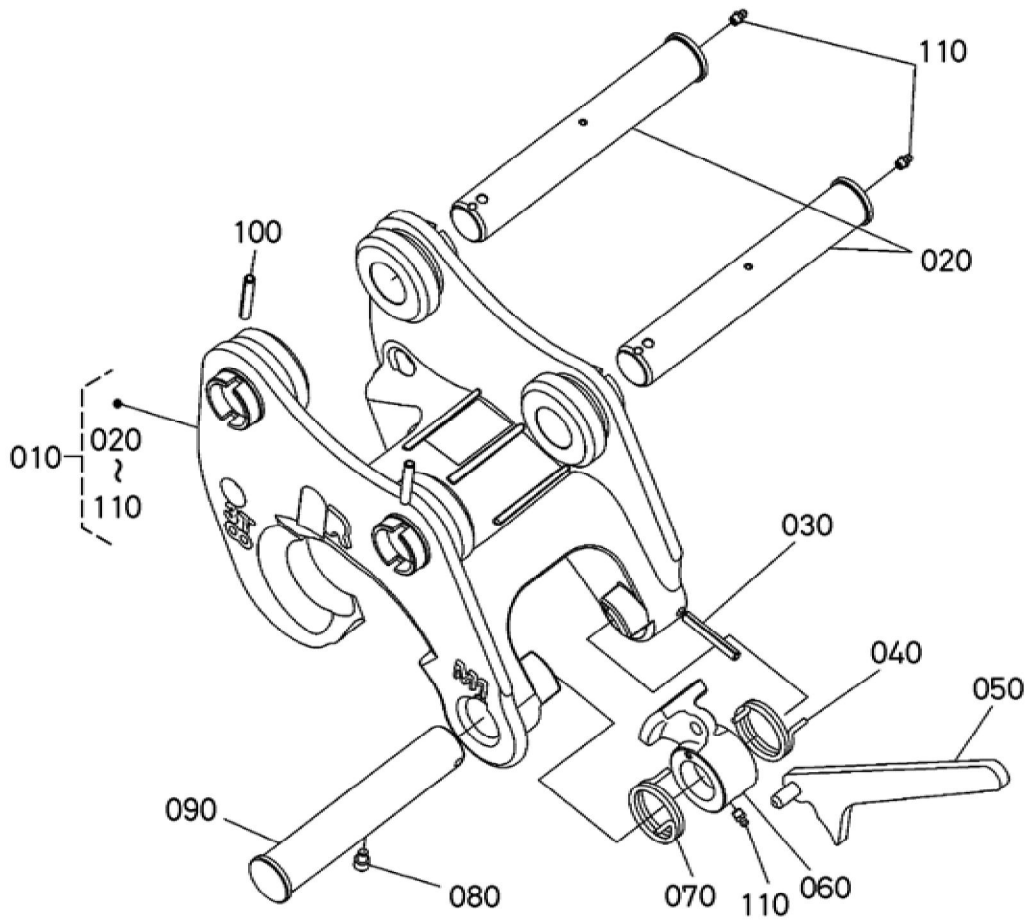


Update Date : 2018/10/24 Print Date : 2022/02/26

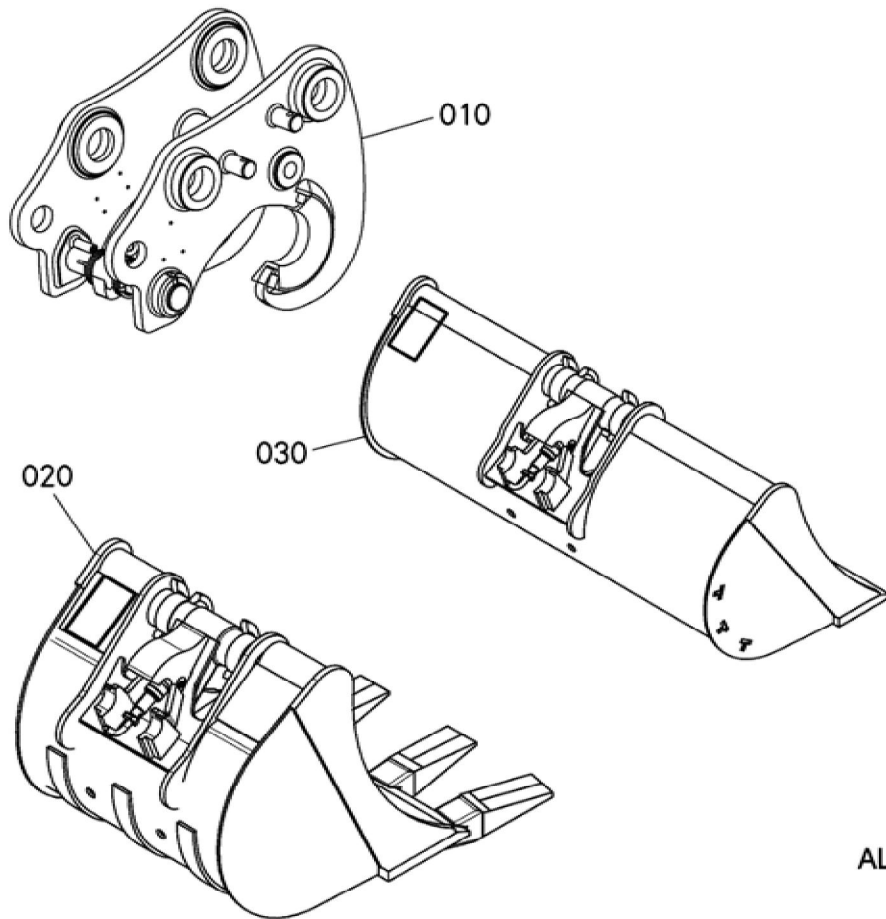


RG529-001-10

Update Date : 2018/10/24 Print Date : 2022/02/26

No.	Part Number	Part Name (POL)	Part Name (ENG)	QTY	IC	Serial No./PIN	Kg	Remarks
010	RG529-6701-0	RETROMATIC QC-SERIE13	RETROMATIC QC-SERIES13	1			38.000	
020	RG529-6702-0	BOLZEN	PIN	2			0.000	
030	RG249-6706-0	STIFT	PIN	1			0.000	
040	RG249-6709-0	FEDER	SPRING RIGHT	1			0.000	
050	RG249-6713-0	HEBEL	LEVER	1			0.765	
060	RG249-6708-0	NOCKEN	CAM	1			0.000	
070	RG249-6711-0	FEDER	SPRING LEFT	1			0.000	
080	RG249-6707-0	SCHRAUBE	SCREW	1			0.000	
090	RG249-6705-0	SPERRBOLZEN	LOCKING PIN	1			0.000	
100	RG249-6703-0	STIFT	PIN	2			0.010	
110	RG249-6704-0	SCHMIERNIPPEL	NIPPLE GREASE	3			0.005	

Update Date : 2018/10/24 Print Date : 2022/02/26



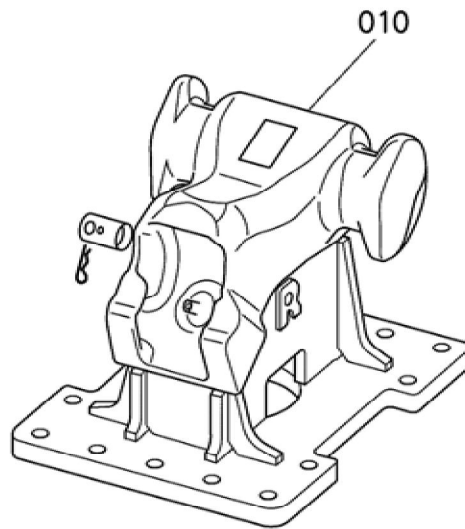
ALTERNATIK

RG529-006-10

Update Date : 2018/10/24 Print Date : 2022/02/26

No.	Part Number	Part Name (POL)	Part Name (ENG)	QTY	IC	Serial No./PIN	Kg	Remarks
010	RG523-6701-0	SCHNELLWECHSLER ALTERNATIK	QUICKCOUPLER ALTERNATI	1			0.000	
020	RG449-6730-0	LÖFFEL RETROMATIC (300)	BUCKET RETROMATIC (300)	1			0.000	
020	RG243-6730-0	LÖFFEL ALTERNATIK (300)	BUCKET ALTERNATIK (300)	1	=		0.000	
020	RG529-6750-0	LÖFFEL RETROMATIC (500)	BUCKET RETROMATIK (500)	1			0.000	
020	RG243-6750-0	LÖFFEL ALTERNATIK (500)	BUCKET ALTERNATIK (500)	1	=		0.000	
020	RG629-6755-0	LÖFFEL RETROMATIC (550)	BUCKET RETROMATIC (550)	1			0.000	
020	RG243-6755-0	LÖFFEL ALTERNATIK (550)	BUCKET ALTERNATIK (550)	1	=		0.000	
030	RG243-6710-0	LÖFFEL ALTERNATIK (1000)	BUCKET ALTERNATIK (1000)	1			0.000	
030	RG249-6712-0	LÖFFEL RETROMATIC (1200)	BUCKET RETROMATIC (1200)	1			0.000	
030	RG243-6712-0	LÖFFEL ALTERNATIK (1200)	BUCKET ALTERNATIK (1200)	1	=		0.000	

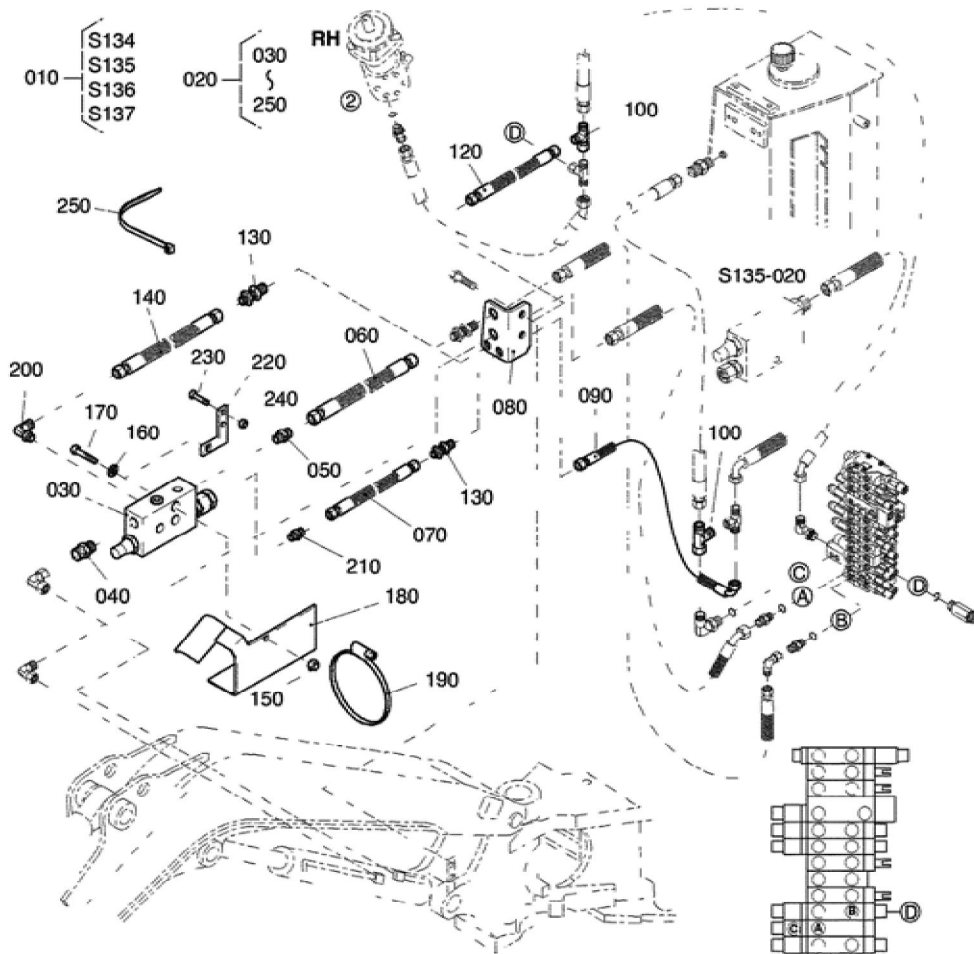
Update Date : 2018/10/24 Print Date : 2022/02/26



Update Date : 2018/10/24 Print Date : 2022/02/26

No.	Part Number	Part Name (POL)	Part Name (ENG)	QTY	IC	Serial No./PIN	Kg	Remarks
010	RG529-6795-0	ANBAUPLATT E	KM200-PLATE	1			0.000	

Update Date : 2018/10/24 Print Date : 2022/02/26



Update Date : 2018/10/24 Print Date : 2022/02/26

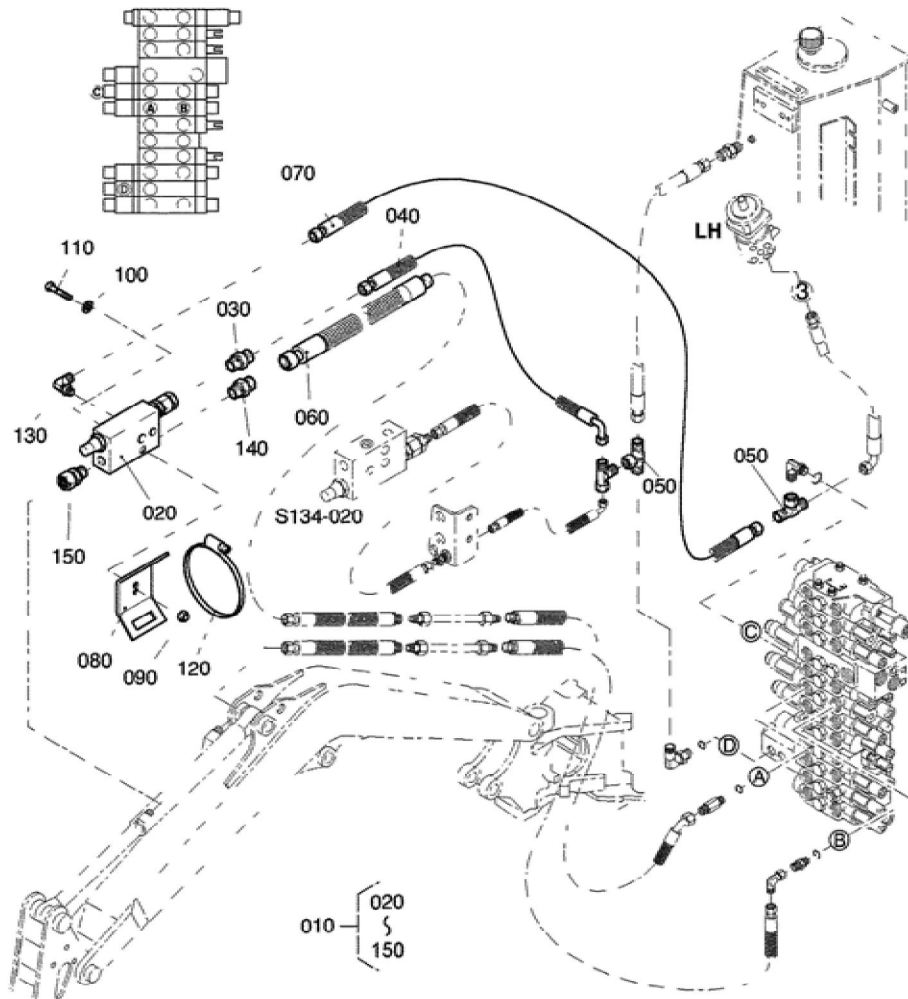
No.	Part Number	Part Name (POL)	Part Name (ENG)	QTY	IC	Serial No./PIN	Kg	Remarks
010	RG619-91000	KIT ROHRBRUCH SICH.	KIT SAFETY VALVE	1			0.000	
020	RG619-91100	GRP.VENTIL AUSLEGER	ASSY VALVE BOOM	1			4.600	
030	RG518-91100	GRP.VENTIL, AUSLEGER	ASSY VALVE,BOOM	1			1.875	
040	RG518-91110	ZWISCHENST UECK	ADAPTER	1			0.095	
050	RG209-68380	ADAPTER	ADAPTER	1			0.045	
060	RG518-91150	HYDRAULIKS CHLAUCH	HOSE HYDRAULIC	1			0.370	
070	RG518-91160	HYDRAULIKS CHLAUCH	HOSE HYDRAULIC	1			0.198	
080	RG518-91170	HALTER	BRACKET HOSE	1			0.392	
090	RG518-91180	HYDRAULIKS CHLAUCH	HOSE HYDRAULIC	1			0.152	
100	RG208-86250	ADAPTER	ADAPTER	2			0.070	
120	RG518-91190	HYDRAULIKS CHLAUCH	HOSE HYDRAULIC	1			0.111	
130	RG108-89160	ADAPTER	JOINT2 (DOZER)	2			0.050	
140	RG518-91140	HYDRAULIKS CHLAUCH	HOSE HYDRAULIC	1			0.195	
150	02552-50080E	MUTTER	NUT	1			0.000	
160	04012-50080E	UNTERLEGS CHEIBE	WASHER,PLAIN	2			0.000	
170	01173-50855E	SCHRAUBE	BOLT	1			0.000	
180	RG618-91120	HALTER	BRACKET VALVE	1			0.111	
190	RG518-91130	SCHLAUCHK LEMME	HOSE,CLAMP	1			0.125	
200	RG209-86260	ADAPTER	ADAPTER	1			0.065	
210	RG209-86160	ADAPTER	ADAPTER	1			0.025	
220	RG518-91520	HALTER	STAY	1			0.050	
230	01053-50640E	BOLZEN	BOLT	2			0.000	
240	02012-60060E	MUTTER	NUT	2			0.000	



Update Date : 2018/10/24 Print Date : 2022/02/26

No.	Part Number	Part Name (POL)	Part Name (ENG)	QTY	IC	Serial No./PIN	Kg	Remarks
250	69481-11190	KABELBINDE R	CABLE TIES	60			0.005	

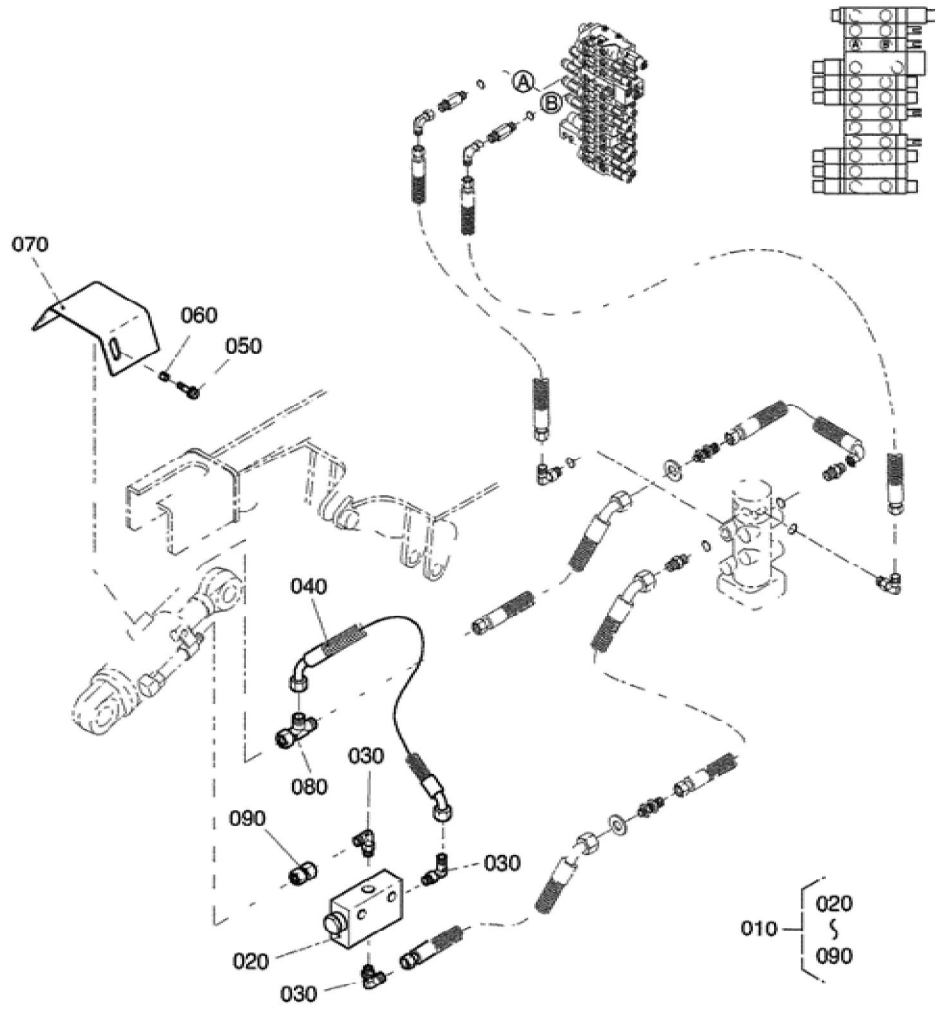
Update Date : 2018/10/24 Print Date : 2022/02/26



Update Date : 2018/10/24 Print Date : 2022/02/26

No.	Part Number	Part Name (POL)	Part Name (ENG)	QTY	IC	Serial No./PIN	Kg	Remarks
010	RG619-91300	GRP.VENTIL ARM	ASSY VALVE ARM	1			5.120	
020	RG518-91300	GRP.VENTIL, ARM	ASSY VALVE,DOZE R	1			2.425	
030	RG209-86160	ADAPTER	ADAPTER	1			0.025	
040	RG518-91330	HYDRAULIKS CHLAUCH	HOSE	1			0.265	
050	RG208-86770	T-ADAPTER	T-JOINT	2			0.050	
060	RG618-91340	HYDRAULIKS CHLAUCH	HOSE,HYDRA ULIC	1			0.960	
070	RG518-91350	HYDRAULIKS CHLAUCH	HOSE HYDRAULIC	1			0.290	
080	RG518-91320	HALTER	BRACKET,VA LVE	1			0.120	
090	02552-50080E	MUTTER	NUT	1			0.000	
100	04012-50080E	UNTERLEGS CHEIBE	WASHER,PLA IN	1			0.000	
110	01173-50850E	SCHRAUBE	BOLT	1			0.000	
120	RG518-91130	SCHLAUCHK LEMME	HOSE,CLAMP	1			0.125	
130	RG209-86260	ADAPTER	ADAPTER	1			0.065	
140	RG209-86180	ADAPTER	ADAPTER	1			0.070	
150	RG518-91310	ADAPTER	ADAPTER	1			0.255	

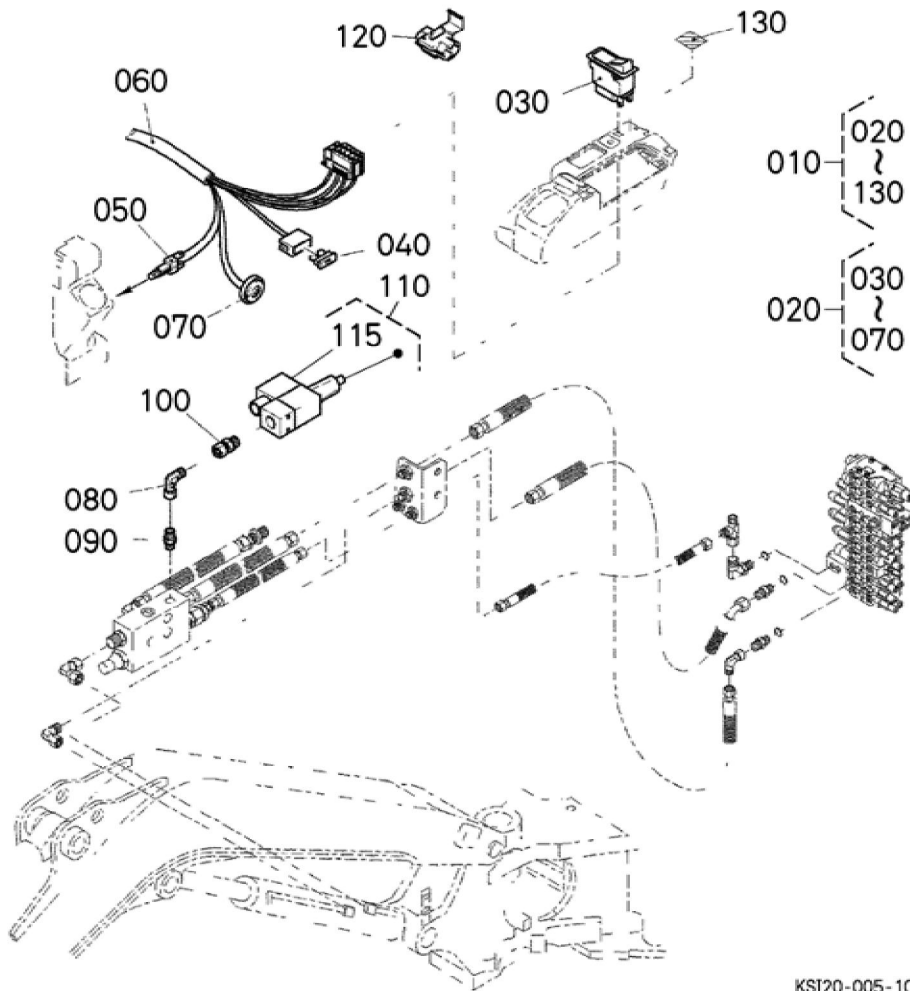
Update Date : 2018/10/24 Print Date : 2022/02/26



Update Date : 2018/10/24 Print Date : 2022/02/26

No.	Part Number	Part Name (POL)	Part Name (ENG)	QTY	IC	Serial No./PIN	Kg	Remarks
010	RG519-91400	VENTIL, PLANIERSCH LID KOMP.	ASSY VALVE DOZER	1			0.000	
020	RG518-91400	VENTIL KOMP., PLANIERSCHI LD	ASSY VALVE,DOZE R	1			1.070	
030	RG209-86230	ADAPTER	ADAPTER	3			0.100	
040	RG518-91420	HYDRAULIKS CHLAUCH	HOSE HYDRAULIC	1			0.000	
050	01135-61230E	SCHRAUBE	BOLT	2			0.000	
060	69561-66582	BUCHSE	COLLAR	2			0.000	
070	RG518-91430	ABDECKUNG	COVER CYLINDER	1			1.280	
080	RG208-86400	T-ADAPTER	T-JOINT	1			0.095	
090	RG208-86120	ZWISCHENST UECK	ADAPTER	1			0.030	

Update Date : 2018/10/24 Print Date : 2022/02/26

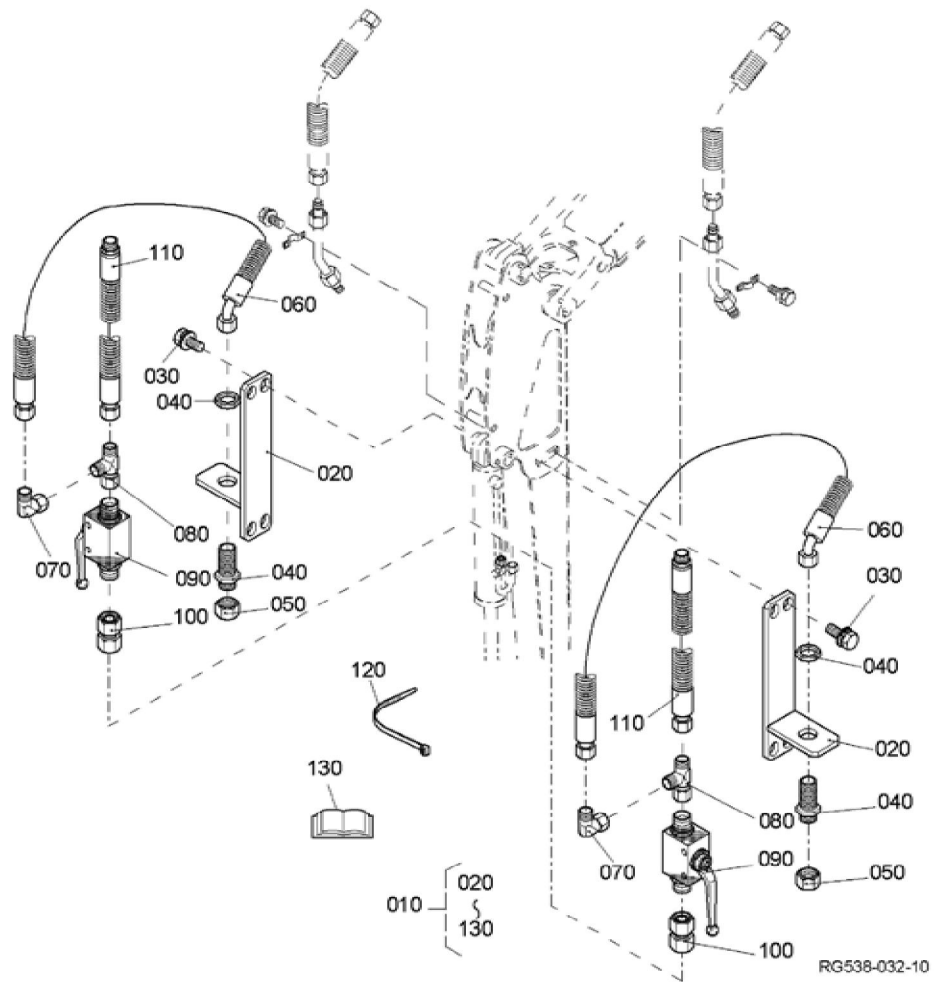


KSI20-005-10

Update Date : 2018/10/24 Print Date : 2022/02/26

No.	Part Number	Part Name (POL)	Part Name (ENG)	QTY	IC	Serial No./PIN	Kg	Remarks
010	RG518-91600	WARNEINRICHTUNG,KOMP.	ASSY WARNING SYSTEM	1			0.900	
020	RG518-91200	KABELBAUM	WIRE HARNESS	1			0.375	
030	RG518-91210	SCHALTER	ON-OFF SWITCH	1			0.025	
040	RG518-91230	SICHERUNG	FUSE	1			0.000	
050	RG518-91240	SIGNALGEBER, OPTISCH	LAMP	1			0.002	
060	RG518-91250	KABELBAUM	WIRE HARNESS	1			0.310	
070	RG518-91260	SIGNALGEBER, AKUSTISCH	HORN	1			0.015	
080	RG208-63180	ADAPTER	ADAPTER	1			0.045	
090	RG519-66130	ADAPTER	ADAPTER	1			0.015	
100	RG209-63890	ADAPTER	ADAPTER	1			0.055	
110	RG518-91220	DRUCKSCHALTER	PRESSURE SWITCH WARNING DEVICE	1			0.465	
115	RG518-91280	ANSCHLUSS BUCHSE	CONNECTOR (PRESSURES)	1			0.000	
120	RG518-91270	VERBINDUNG	CABLE CONNECTOR	1			0.000	
130	RG008-57410	AUFKLEBER	LABEL OPERATION	1			0.001	

Update Date : 2018/10/24 Print Date : 2022/02/26

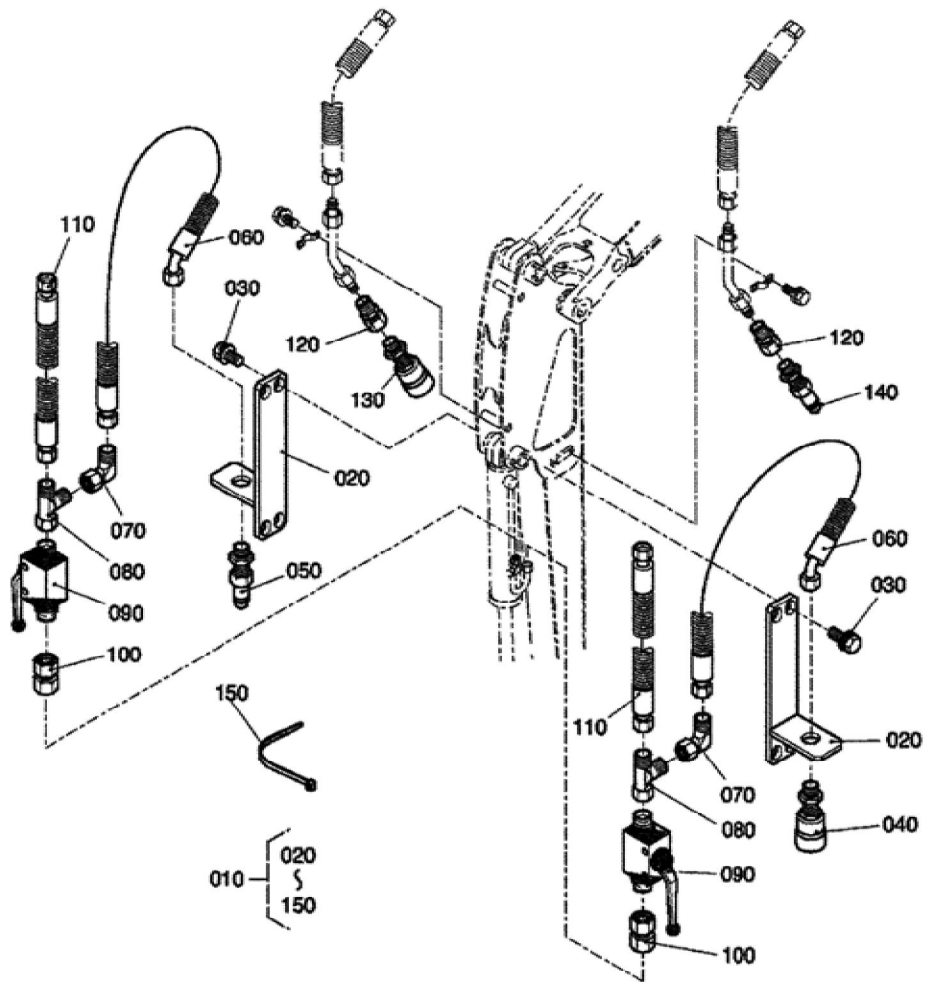




Update Date : 2018/10/24 Print Date : 2022/02/26

No.	Part Number	Part Name (POL)	Part Name (ENG)	QTY	IC	Serial No./PIN	Kg	Remarks
010	RG618-95000	GREIFER-KIT STD-ARM	CLAMP KIT STD. ARM	1			0.000	STD ARM
010	RG518-95500	GREIFER-KIT LANGER ARM	CLAMP KIT LONG ARM	1			0.000	LANGER ARM
020	RG518-95210	HALTER	BRACKET	2			0.450	
030	01135-61025	SCHRAUBE	BOLT	4			0.027	
040	W9242-95020	ADAPTER	BULKHEAD FITTING	2			0.150	
050	W9242-95040	VERSCHLUS SSCHRAUBE	PLUG	2			0.065	
060	RG518-95240	HYDRAULIKS CHLAUCH	HOSE	2			0.770	
070	RG208-86170	ZWISCHENST UECK	ADAPTER	2			0.120	
080	RG208-86760	ZWISCHENST UECK	T-ADAPTER	2			0.145	
090	RG518-86800	KUGELHAHN	COCK	2			0.000	
100	RG518-95250	DOPPELMUT TER	DOUBLENUT	2			0.120	
110	RG618-95260	HYDRAULIKS CHLAUCH	HOSE HYDRAULIC	2			0.875	STD ARM
110	RG518-95270	HYDRAULIKS CHLAUCH	HOSE	2			1.000	LANGER ARM
120	69481-11190	KABELBINDE R	CABLE TIES	2			0.005	
130	RG518-95100	ANLEITUNG	MANUAL	1			0.000	

Update Date : 2018/10/24 Print Date : 2022/02/26





**Download the full PDF manual instantly.**

**Our customer service e-mail:**

**[aservicemanualpdf@yahoo.com](mailto:aservicemanualpdf@yahoo.com)**