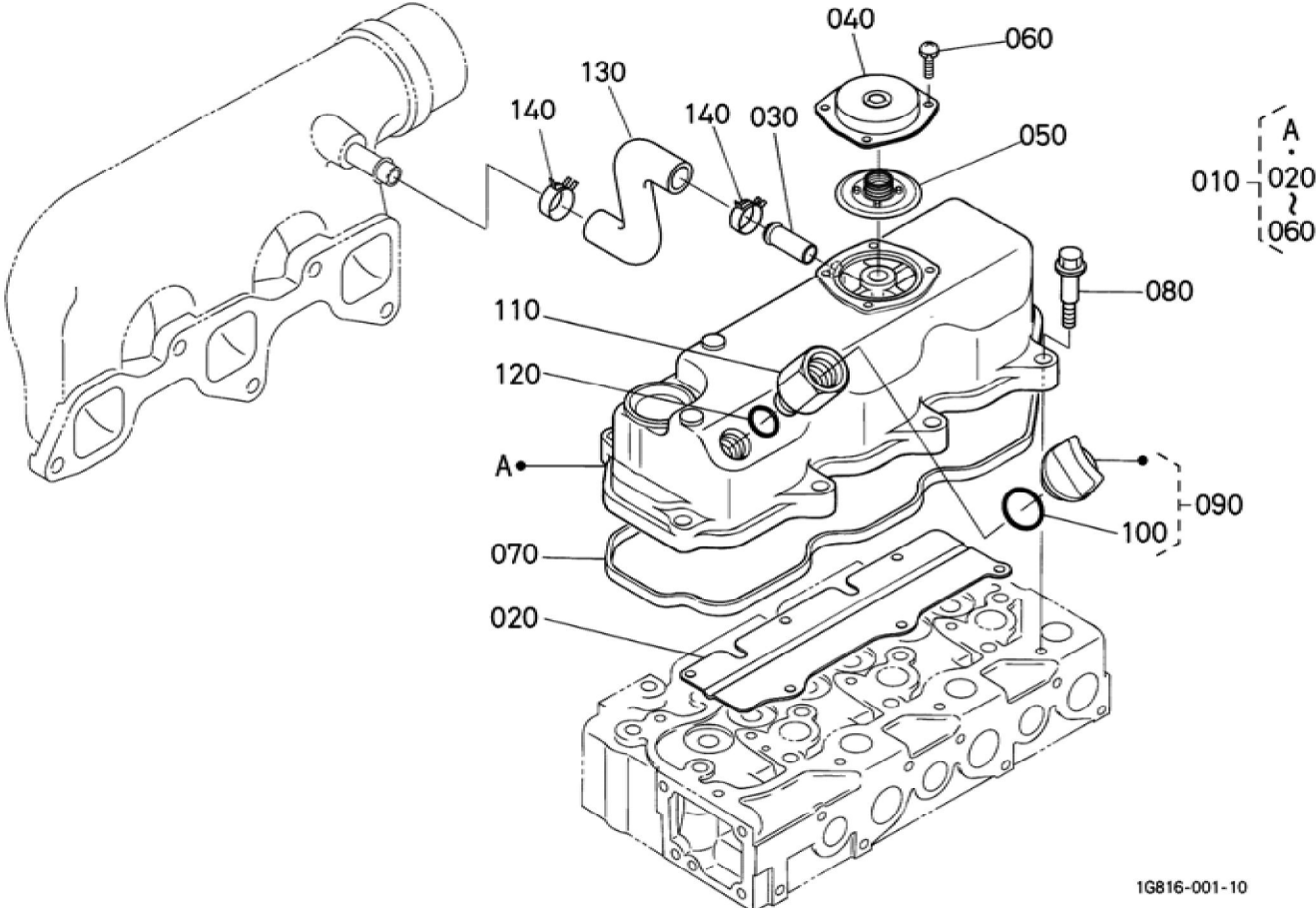


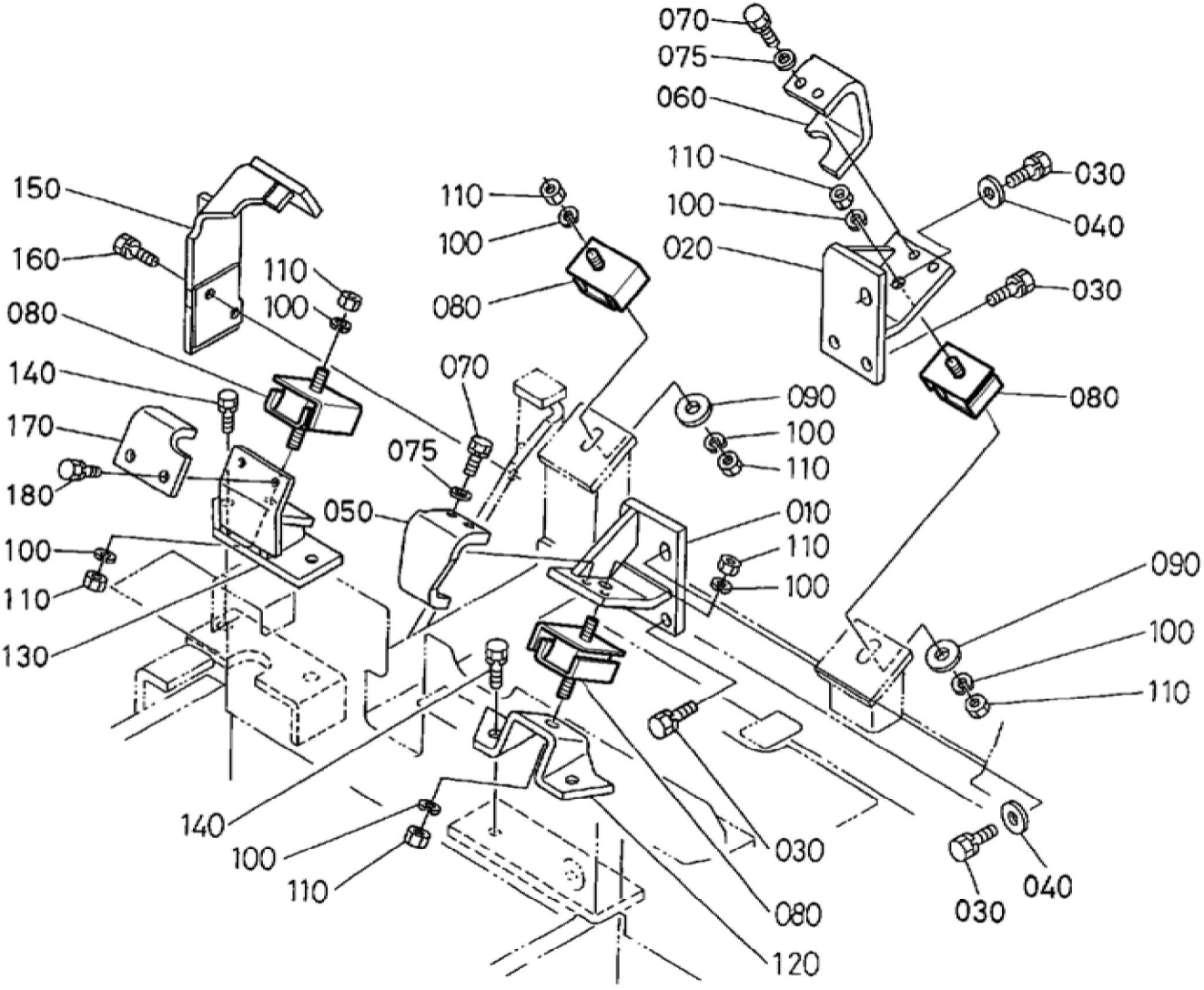
Update Date : 2018/10/24 Print Date : 2022/02/25



BKIDK0645 >> U30-3ALPHA2 >> MOTOR / ENGINE >> S00500 VENTILDECKEL / HEAD COVER

Update Date : 2018/10/24 Print Date : 2022/02/25

No.	Part Number	Part Name (POL)	Part Name (ENG)	QTY	IC	Serial No./PIN	Kg	Remarks
010	1G816-14502	VENTILDECKEL	ASSY COVER,CYL. HEAD	1			1.240	
020	1A021-05370	OELSCHILD,ENTLUEFTER	SHIELD,BREATHHER	1			0.100	
030	17331-73342	WASSERROHR	PIPE,WATER RETURN	1			0.010	
040	1G801-05120	ENTLUEFTER DECKEL	COVER (BREATHHER)	1			0.035	
050	1G911-05202	ENTLUEFTUNGSVENTIL	VALVE,COMP (BREATHHER)	1			0.010	
060	03024-50510	SCHRAUBE	SCREW,SEMS(PAN HEAD)	4			0.002	
070	1A021-14520	VENTILDECKELDICHUNG	GASKET,HEAD COVER	1			0.020	
080	1G911-91022	BOLZEN	BOLT	8			0.015	
090	1A053-33080	BLINDSTOPFEN	ASSY PLUG,O/FILLER	1			0.013	
100	04814-06230	O RING	O RING	1			0.001	
110	RG511-42810	ADAPTER	ADAPTER	1			0.244	
120	04814-06230	O RING	O RING	1			0.001	
130	1G757-05510	ENTLUEFTUNGSROHR	TUBE,BREATHHER	1			0.015	
140	09318-88155	SCHLAUCHBIENDER	CLAMP, HOSE	2			0.005	

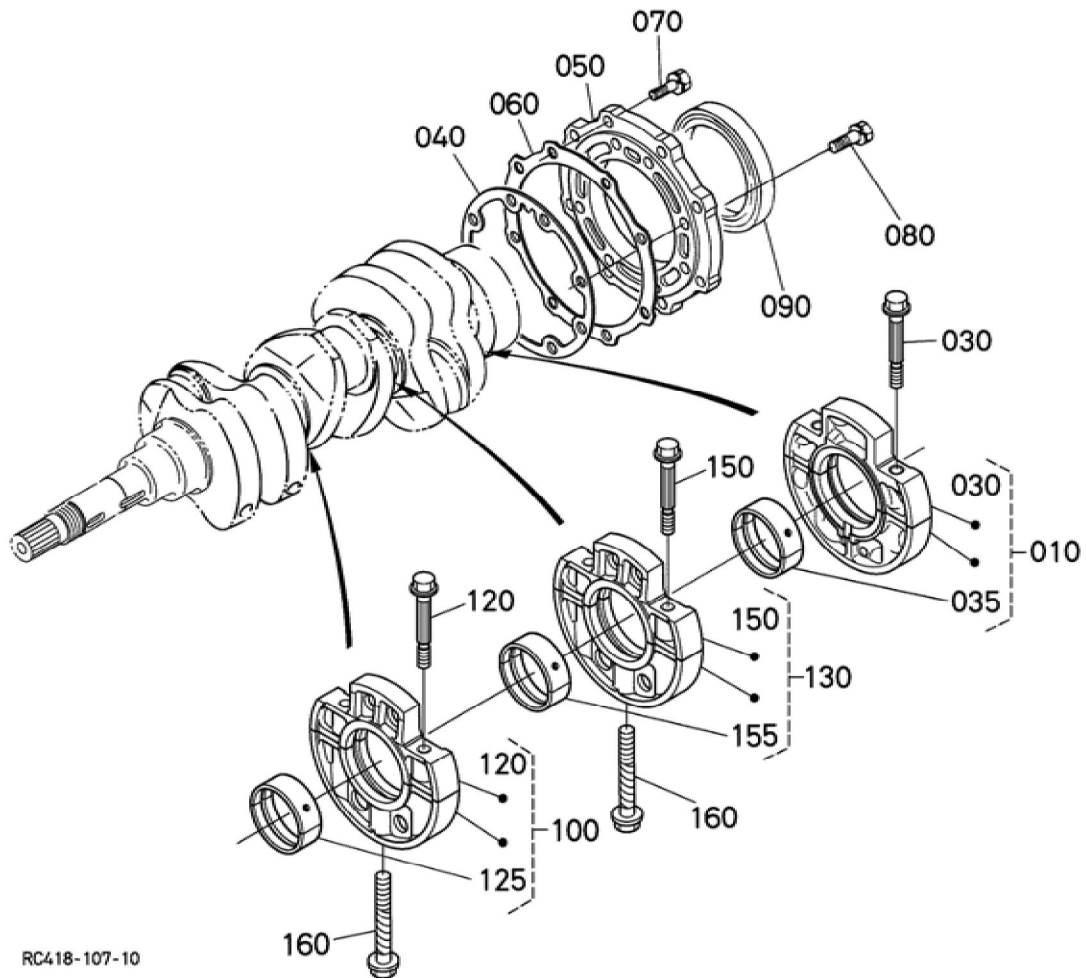


BKIDK0645 >> U30-3ALPHA2 >> MOTOR / ENGINE >> S00600 MOTORHALTER / ENGINE BRACKET

Update Date : 2018/10/24 Print Date : 2022/02/25

No.	Part Number	Part Name (POL)	Part Name (ENG)	QTY	IC	Serial No./PIN	Kg	Remarks
010	RG511-42910	HALTER	BRACKET (1 ENGINE)	1			1.390	
020	RG511-42920	HALTER	BRACKET (2 ENGINE)	1			1.375	
030	01133-61225	BOLZEN	BOLT	6			0.037	
040	RG201-21790	SCHEIBE	WASHER	2			0.005	
050	RG511-42950	ANSCHLAG	STOPPER (1 ENGINE)	1			0.635	
060	RG511-42960	ANSCHLAG	STOPPER (2 ENGINE)	1			0.845	
070	01133-61025	SCHRAUBE	BOLT	4			0.020	
075	53511-27170	SCHEIBE	WASHER	4			0.007	
080	RC417-42990	GUMMIPUFFER	CUSHION,RUBBER	4			0.820	
090	RG511-42140	SCHEIBE	FLAT WASHER	2			0.025	
100	04512-60120	FEDERRING	WASHER,SPRING	8			0.005	
110	02114-60120	MUTTER	NUT	8			0.011	
120	RC411-42933	TRAEGER,MOTOR	SUPPORTENGINE	1			0.400	
130	RG511-42940	KONSOLE	SUPPORT (2 ENGINE)	1			1.470	
140	01133-61025	SCHRAUBE	BOLT	4			0.020	
150	RG511-42970	ANSCHLAG	STOPPER (3 ENGINE)	1			1.615	
160	01133-61030	SCHRAUBE	BOLT	2			0.023	
170	RG511-42190	ANSCHLAG	STOPPER (4 ENGINE)	1			0.385	
180	01133-61025	SCHRAUBE	BOLT	2			0.020	

Update Date : 2018/10/24 Print Date : 2022/02/25



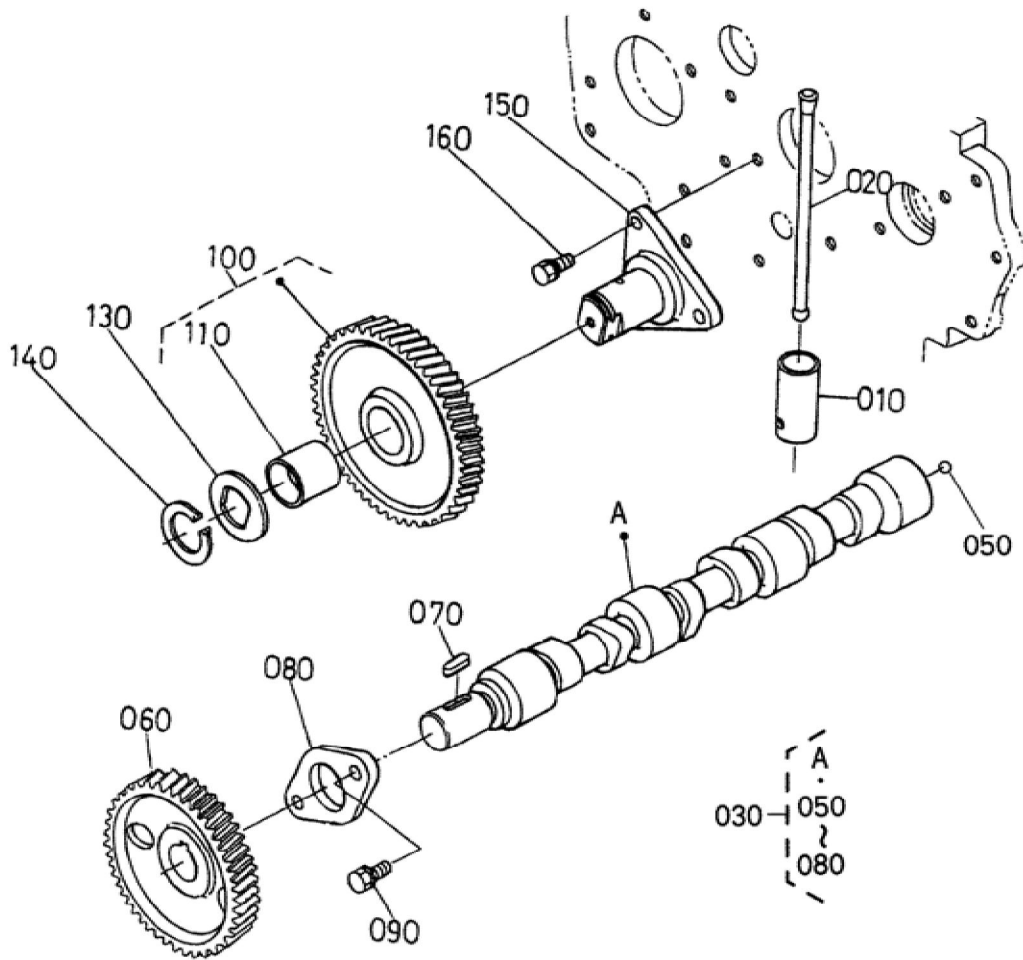
Update Date : 2018/10/24 Print Date : 2022/02/25

No.	Part Number	Part Name (POL)	Part Name (ENG)	QTY	IC	Serial No./PIN	Kg	Remarks
010	1A041-07093	GRP.LAGERGEHAEUSE	CASE,BRG,ASSY(WHEEL)	1			1.340	
030	1A091-04540	BOLZEN, LAGERKASTEN	BOLT,BEARING CASE	2			0.035	
035	1A091-23940	LAGERSCHAULE	METAL,CRANKSHAFT	1			0.065	-0.40mm/SET
035	1A091-23930	LAGERSCHAULE	METAL,CRANKSHAFT	1			0.060	-0.20mm/SET
035	1A091-23480	LAGERSCHAULE	METAL CRANKSHAFT	1			0.050	STD/SET
040	1A091-04362	DICHTUNG	GASKET,BEARING CASE	1			0.020	
050	1G851-04810	DECKEL, LAGERKASTEN	COVER BEARING CASE	1			0.495	
060	1A091-04820	DICHTUNG	GASKET,CASE COVER	1			0.009	
070	01123-50825	BOLZEN	BOLT,SEMS	8			0.013	
080	01123-50828	BOLZEN	BOLT,SEMS	8			0.014	
090	19202-04460	OELDICHTUNGSRING	SEAL,OIL	1			0.055	
100	1A091-07043	GRP.LAGERGEHAEUSE	CASE,BRG,ASSY(MAIN)	1			1.340	
120	1A091-04540	BOLZEN, LAGERKASTEN	BOLT,BEARING CASE	2			0.035	
125	1A091-23480	LAGERSCHAULE	METAL CRANKSHAFT	1			0.050	STD/SET
125	1A091-23930	LAGERSCHAULE	METAL,CRANKSHAFT	1			0.060	-0.20mm/SET
125	1A091-23940	LAGERSCHAULE	METAL,CRANKSHAFT	1			0.065	-0.40mm/SET
130	1A091-07053	GRP.LAGERGEHAEUSE	CASE,BRG,ASSY(MAIN)	1			1.340	
150	1A091-04540	BOLZEN, LAGERKASTEN	BOLT,BEARING CASE	2			0.035	
155	1A091-23940	LAGERSCHAULE	METAL,CRANKSHAFT	1			0.065	-0.40mm/SET
155	1A091-23930	LAGERSCHAULE	METAL,CRANKSHAFT	1			0.060	-0.20mm/SET

Update Date : 2018/10/24 Print Date : 2022/02/25

No.	Part Number	Part Name (POL)	Part Name (ENG)	QTY	IC	Serial No./PIN	Kg	Remarks
155	1A091-23480	LAGERSCHALE	METAL CRANKSHAFT	1			0.050	STD/SET
160	15601-04560	BOLZEN, LAGERKASTEN	BOLT, BEARING CASE	2			0.060	

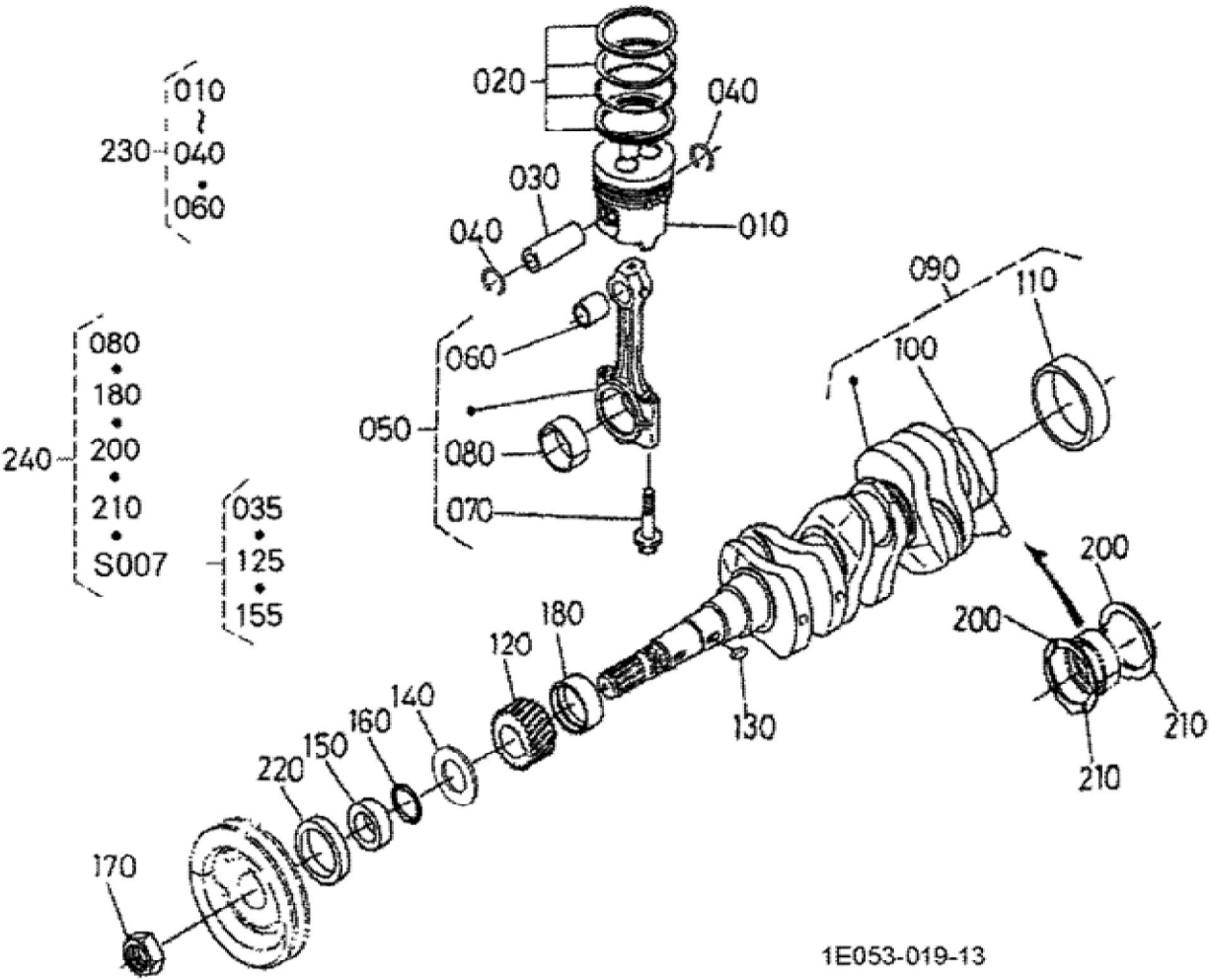
Update Date : 2018/10/24 Print Date : 2022/02/25



Update Date : 2018/10/24 Print Date : 2022/02/25

No.	Part Number	Part Name (POL)	Part Name (ENG)	QTY	IC	Serial No./PIN	Kg	Remarks
010	15601-15550	STOESSEL	TAPPET	6			0.080	
020	19013-15110	STOESSELSTANGE	ROD,PUSH	6			0.050	
030	17331-16010	GRP.NOCKENWELLE	ASSY CAMSHAFT	1			2.750	
050	07715-00401	KUGEL	BALL 1/4	1			0.001	
060	15521-16515	ZAHNRAD	GEAR,CAMSHAFT	1			0.850	
070	05712-00720	KEIL	KEY, FEATHER	1			0.008	
080	15221-16270	NOCKENWELLENSPRERRPLATTE	STOPPER (CAMSHAFT)	1			0.073	
090	01123-50818	BOLZEN	BOLT,SEMS	2			0.012	
100	1G791-24010	ZAHNRAD	COMP.GEAR,IDLE	1			1.195	
110	1A021-24980	BUCHSE	BUSHING (IDLE GEAR)	1			0.072	
130	1A021-24370	HUELSE	COLLAR	1			0.022	
140	15451-95400	SPRENGRING,AUSSEN	CIRCLIP,EXT	1			0.010	
150	1A021-24250	WELLE	SHAFT,IDLE GEAR	1			0.685	
160	01123-50818	BOLZEN	BOLT,SEMS	3			0.012	

Update Date : 2018/10/24 Print Date : 2022/02/25



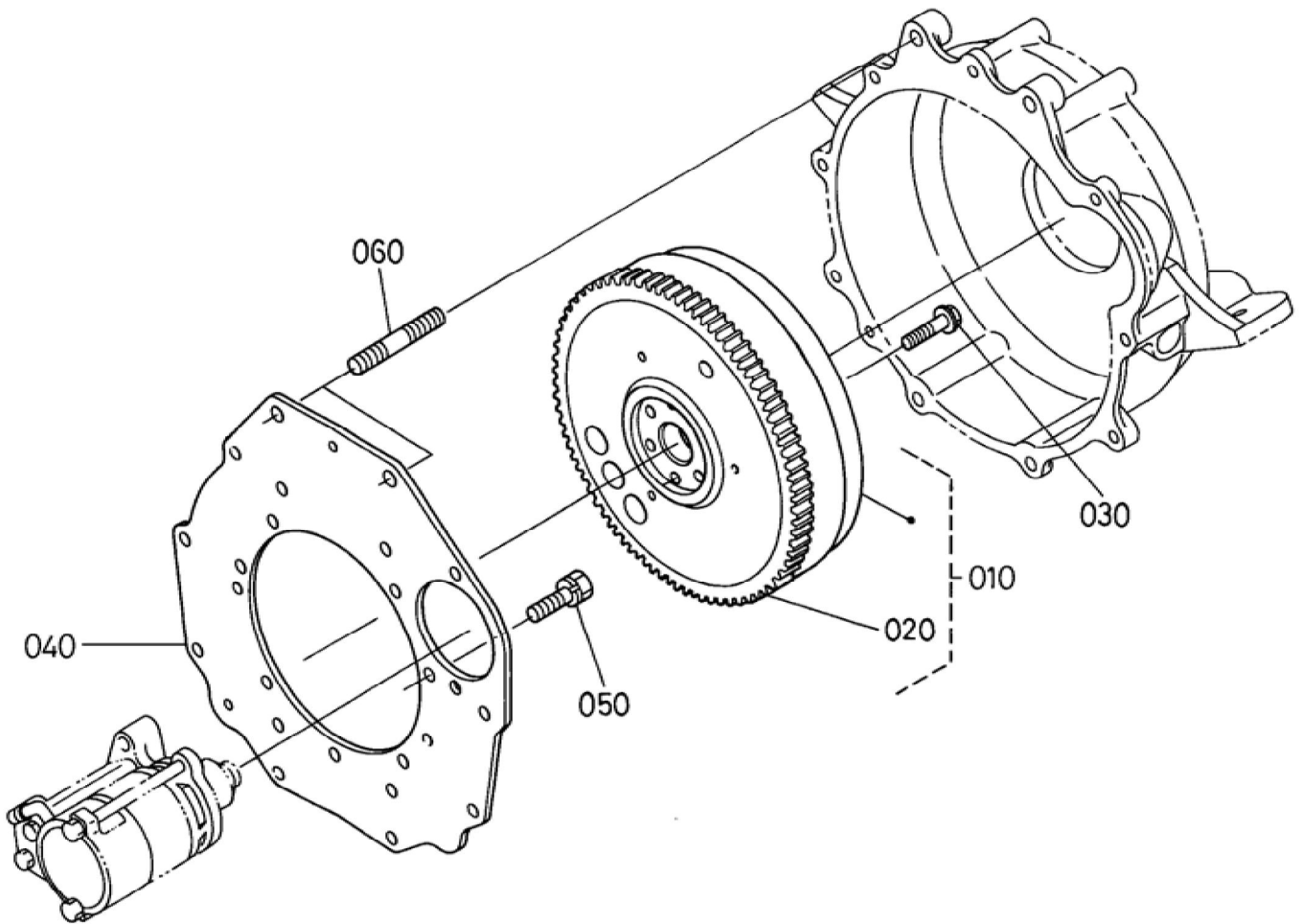
1E053-019-13

Update Date : 2018/10/24 Print Date : 2022/02/25

No.	Part Number	Part Name (POL)	Part Name (ENG)	QTY	IC	Serial No./PIN	Kg	Remarks
010	1A021-21112	KOLBEN	PISTON	3			0.500	STD
010	1A021-21902	KOLBEN	PISTON	3			0.500	+0.25mm
020	1A021-21050	GRP.KOLBEN RING	RING,PISTON ,ASSY	3			0.050	STD
020	1A021-21092	GRP.KOLBEN RING	ASSY PISTON RING	3			0.050	+0.25mm
030	14901-21310	KOLBENBOLZEN	PIN PISTON	3			0.170	
040	1G279-21330	SPRENGRING	CIRCLIP,INT	6			0.004	
050	17311-22010	PLEUELSTANGE KOMP.	ASSY CONNECTING ROD	3			0.885	
060	17331-21980	BUCHSE,KOLBENSTIFT	BUSH PISTON PIN	3			0.025	
070	15521-22142	BOLZEN	BOLT CONNECTING ROD	6			0.026	
080	17311-22310	LAGERSCHALE	METAL CRANKPIN	3			0.045	STD/SET
080	17311-22970	LAGERSCHALE	METAL (PIN,CRANK)	3			0.050	-0.20mm/SET
080	17311-22980	LAGERSCHALE	METAL (PIN,CRANK)	3			0.045	-0.40mm/SET
090	1A051-23012	KOMP.KURBELWELLE	COMP.CRANKSHAFT	1			14.100	
100	07715-00401	KUGEL	BALL 1/4	3			0.001	
110	19202-23280	BUCHSE,KURBELWELLE	BUSH CRANKSHAFT	1			0.090	
120	1A081-24110	ZAHNRAD	GEAR CRANKSHAFT	1			0.415	
130	05712-00728	KEIL	KEY,FEATHER	1			0.010	
140	15471-23312	RING	OIL SLINGER	1			0.008	
150	19202-23250	HALSRING	COLLAR CRANKSHAFT	1			0.065	
160	19202-96760	O RING	O-RING	1			0.001	
170	15221-23360	MUTTER,KURBELWELLE	NUT CRANKSHAFT	1			0.110	

Update Date : 2018/10/24 Print Date : 2022/02/25

No.	Part Number	Part Name (POL)	Part Name (ENG)	QTY	IC	Serial No./PIN	Kg	Remarks
180	1A091-23470	LAGERSCHA LE	METAL CRANKSHAF T	1			0.062	STD
180	1A091-23910	LAGERSCHA LE	METAL CRANKSHAF T	1			0.065	-0.20mm
180	1A091-23920	LAGERSCHA LE	METAL CRANKSHAF T	1			0.065	-0.40mm
200	1A091-23960	LAGERSCHA LE	METAL SIDE	2			0.005	+0.40mm
200	1A091-23950	LAGERSCHA LE	METAL SIDE	2			0.005	+0.20mm
200	1A091-23530	LAGERSCHA LE	METAL SIDE	2			0.009	STD
210	1A091-23970	LAGERSCHA LE	METAL SIDE	2			0.005	+0.20mm
210	1A091-23980	LAGERSCHA LE	METAL SIDE	2			0.005	+0.40mm
210	1A091-23540	LAGERSCHA LE	METAL SIDE	2			0.009	STD
220	19202-04140	OELDICHTUN GSRING	SEAL OIL	1			0.015	
230	1G726-21772	GRP.KOLBEN	KIT PISTON	1			0.750	STD
230	1G726-21782	GRP.KOLBEN	KIT PISTON	1			0.800	+0.25mm
240	1G842-23750	LAGERSATZ	METAL,KIT (ENGINE)	1			0.620	STD
240	1G842-23760	LAGERSATZ	METAL,KIT (ENGINE)	1			0.580	0.20mm
240	1G842-23770	LAGERSATZ	METAL,KIT (ENGINE)	1			0.400	0.40mm





Download the full PDF manual instantly.

Our customer service e-mail:

aservicemanualpdf@yahoo.com