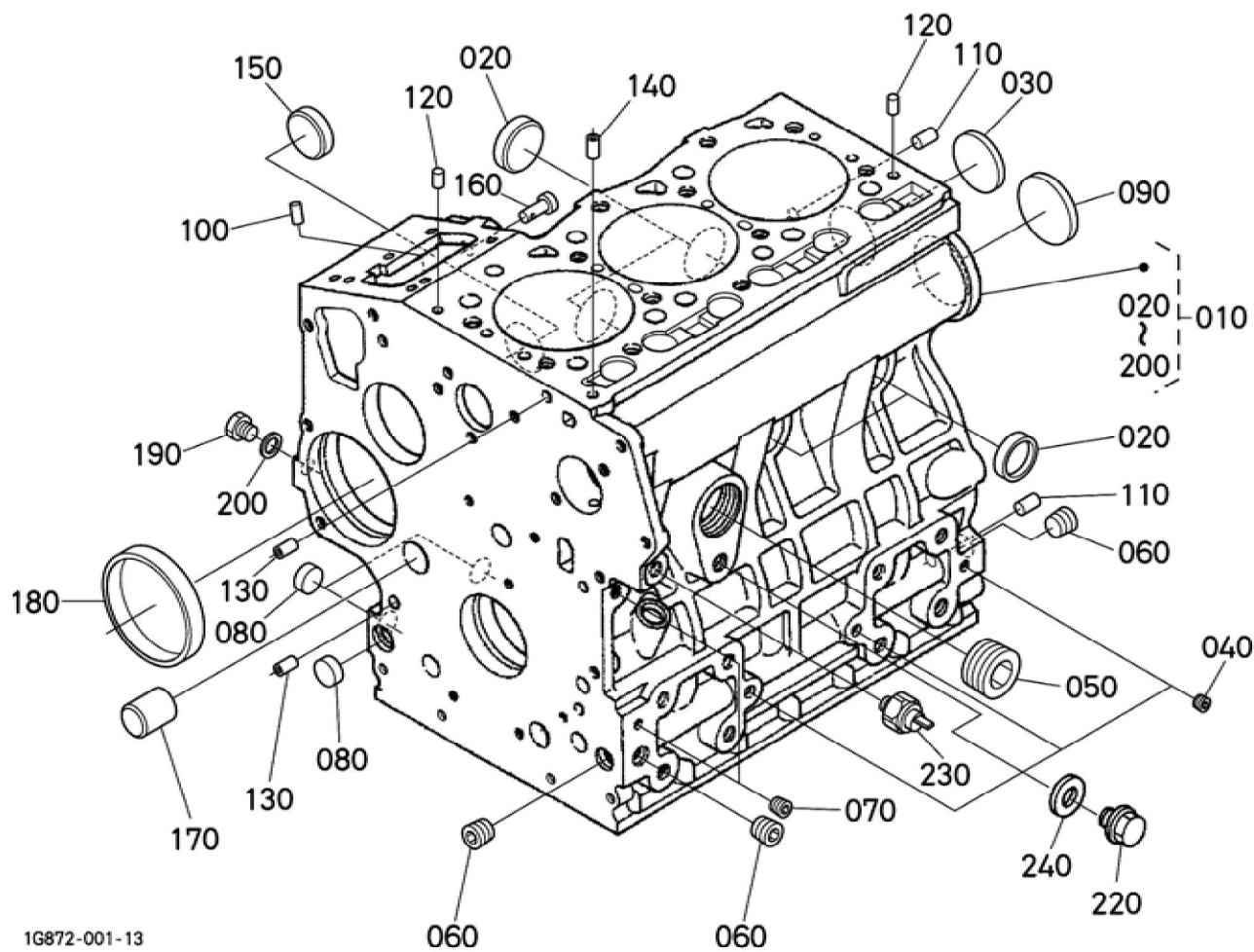


Update Date : 2020/02/20 Print Date : 2022/02/24



1G872-001-13

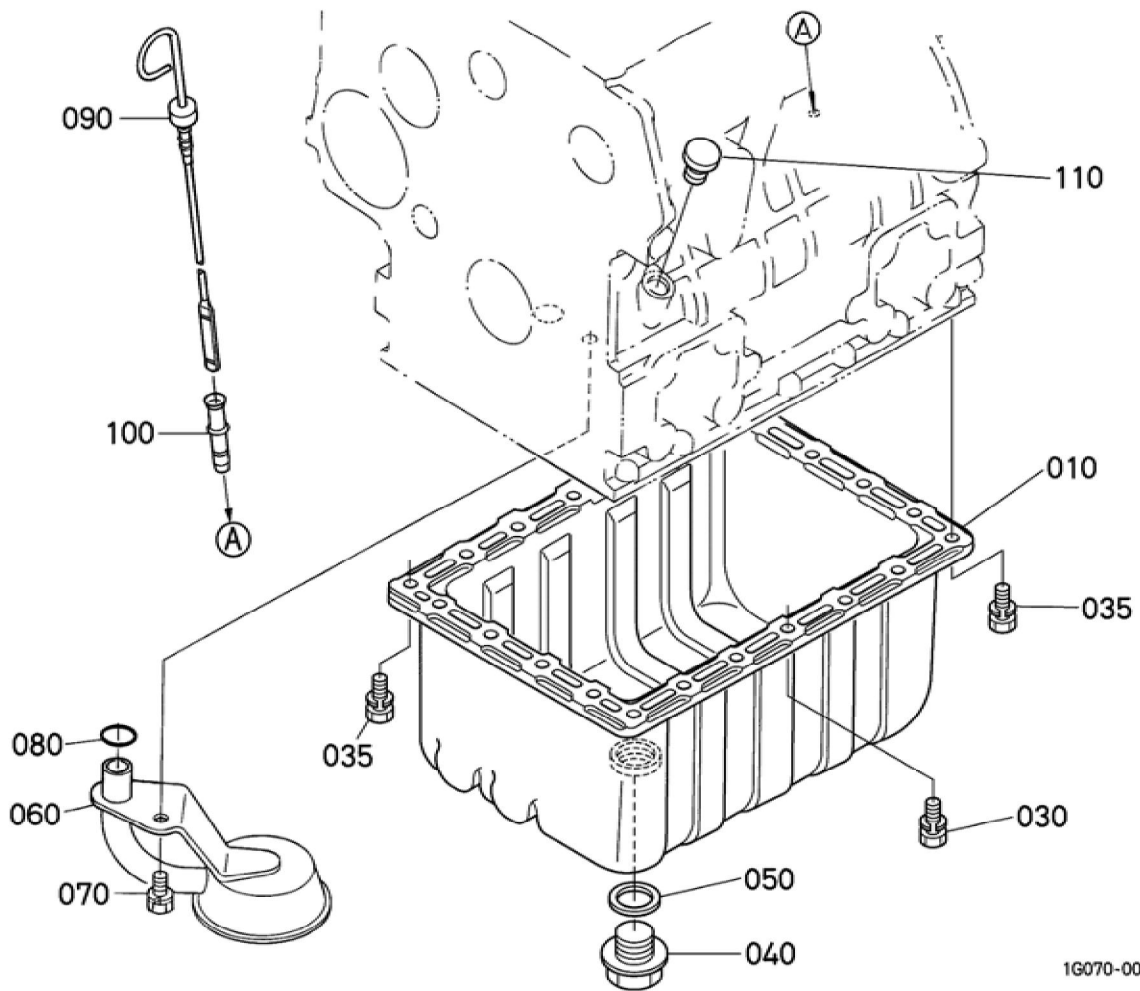
Update Date : 2020/02/20 Print Date : 2022/02/24

No.	Part Number	Part Name (POL)	Part Name (ENG)	QTY	IC	Serial No./PIN	Kg	Remarks
010	1G694-01010	KOMP.KURBELGEHAEUSE	COMP.CRANKCASE	1		<=6H9999	32.000	
010	1G694-01012	KOMP.KURBELGEHAEUSE	COMP.CRANKCASE	1	>>	>=6J0001	31.000	
010	1G870-01010	KOMP.KURBELGEHAEUSE	COMP.CRANKCASE	1	=	<=9KZ999	0.000	
010	1G694-01012	KOMP.KURBELGEHAEUSE	COMP.CRANKCASE	1	>>	>=9L0001	31.000	
020	15451-96270	KAPPE	CAP,SEALING	4			0.010	
030	15221-03490	STOPFEN	CAP,SEALING	1			0.020	
040	15261-96010	STOPFEN	PLUG	3			0.002	
050	16683-96020	STOPFEN	PLUG	1			0.088	
060	16241-96010	STOPFEN	PLUG	3			0.007	
070	15521-96020	STOPFEN	PLUG	2			0.003	
080	17391-96160	STOPFEN	PLUG,EXPANSION	3			0.003	
090	16271-96160	STOPFEN	PLUG,EXPANSION	1			0.025	
100	05012-00508	ZYLINDERSTIFT	PIN,STRAIGHT	2			0.001	
110	05012-00814	ZYLINDERSTIFT	PIN,STRAIGHT	2			0.006	
120	16221-94520	ZYLINDERSTIFT	PIN,STRAIGHT	2			0.005	
120	05012-00610	ZYLINDERSTIFT	PIN,STRAIGHT	2	=		0.003	
130	15231-33960	ROHRSTIFT	PIN,PIPE	2			0.001	
140	16241-33650	ROHRSTIFT	PIN,PIPE	1			0.002	
150	16241-96262	STOPFEN	PLUG,FUEL CAMSHAFT	1			0.007	
160	16261-56280	STARTFEDERSTIFT	PIN(START SPRING)	1			0.004	
170	16282-96010	STOPFEN	PLUG	1			0.090	
180	16271-55350	BUCHSE	BUSHING (GEAR,GOVERNOR)	1			0.060	
190	15221-33610	STOPFEN	PLUG	1		<=9VZ999	0.009	
190	1G896-33610	BOLZEN	PLUG	1	>>	>=9W0001	0.008	

Update Date : 2020/02/20 Print Date : 2022/02/24

No.	Part Number	Part Name (POL)	Part Name (ENG)	QTY	IC	Serial No./PIN	Kg	Remarks
200	15021-33660	DICHTUNGSP LATTE	PACKING	1			0.001	
220	06311-55020	STOPFEN	PLUG	1			0.031	
230	1A024-39010	OELDRUCKS CHALTER	SWITCH(OIL)	1		<=7VZ999	0.035	
230	T1850-39010	OELDRUCKS CHALTER	SWITCH,OIL	1	>>	>=7W0001	0.040	
240	04724-00130	DICHTUNGSP LATTE	GASKET	1		<=1HTZ999	0.003	
240	04717-01320	GUMMIUNTE RLAGE	WASHER,SEA L	1	>>	>=1HU0001	0.002	

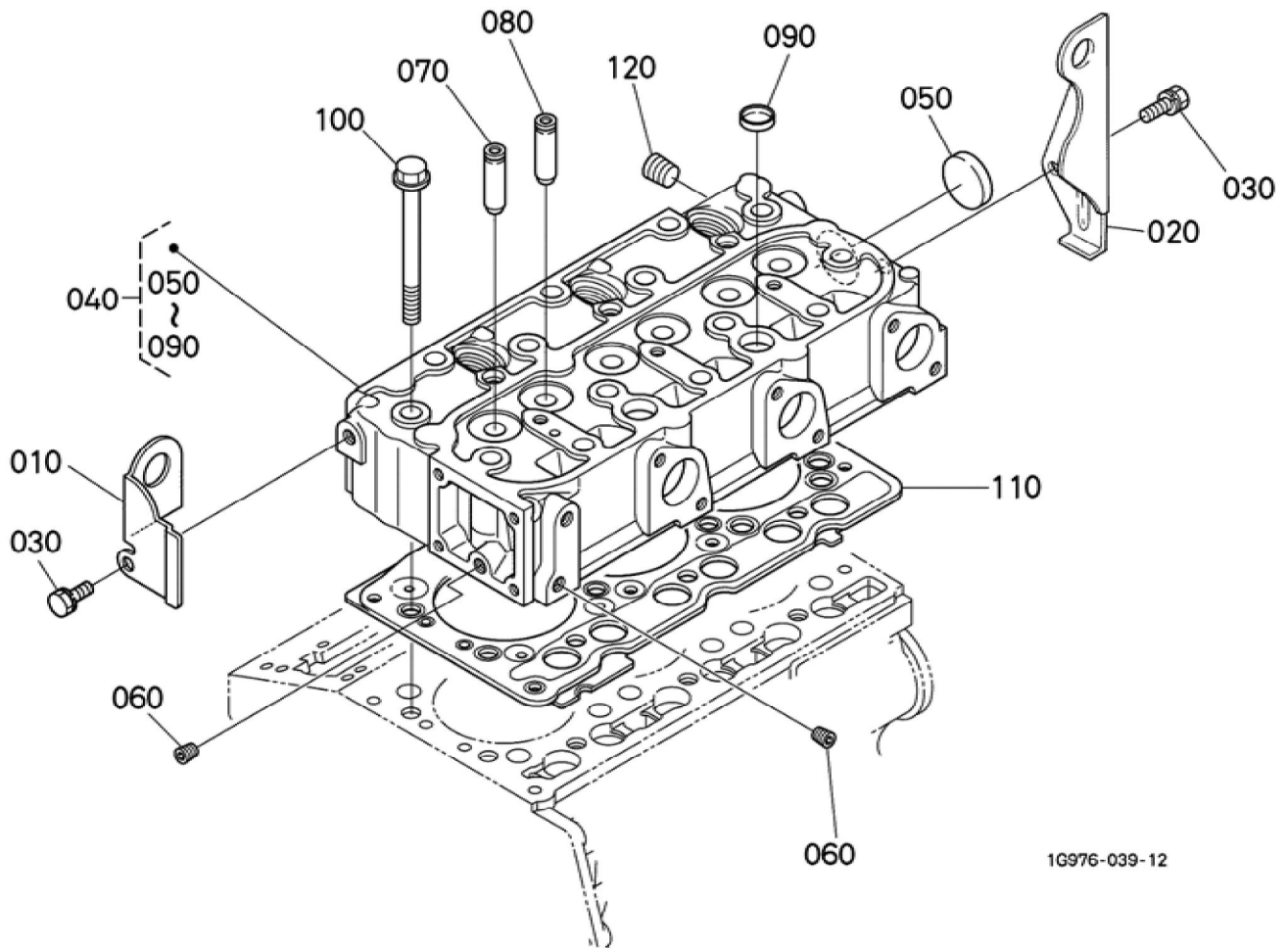
Update Date : 2020/02/20 Print Date : 2022/02/24



Update Date : 2020/02/20 Print Date : 2022/02/24

No.	Part Number	Part Name (POL)	Part Name (ENG)	QTY	IC	Serial No./PIN	Kg	Remarks
010	17553-01500	KOMP.OELW ANNE	COMP.OIL PAN	1			1.400	
030	01023-50612	BOLZEN	BOLT,SEMS	22		<=6H9999	0.005	
030	01023-50614	BOLZEN	BOLT,SEMS	22	NI	>=6J0001	0.005	
030	01023-50614	BOLZEN	BOLT,SEMS	20		>=8A0001	0.005	
035	01023-50614	BOLZEN	BOLT,SEMS	2		>=8A0001	0.005	
040	15707-33750	ENTLEERUN GSSTOPFEN	PLUG(DRAIN)	1			0.095	
050	15451-96670	DICHTUNG	PACKING	1		<=5V9999	0.003	
050	16265-96670	DICHTUNG	PACKING	1	>>	>=5W0001	0.010	
060	16261-32114	OELFILTER	FILTER,OIL	1		<=5X9999	0.210	
060	16261-32117	OELFILTER	FILTER,OIL	1	>>	>=5Y0001	0.210	
070	01123-50816	SCHRAUBE	BOLT,SEMS	1			0.011	
080	04814-00160	O RING	O RING	1			0.001	
090	17456-36410	OELMESSST AB	GAUGE,OIL	1		<=6X9999	0.050	
090	17422-36410	OELMESSST AB	GAUGE,OIL	1	NI	>=6Y0001	0.035	
100	17456-36420	FUEHRUNG, OELMESSST AB	GUIDE (GAUGE,OIL)	1			0.030	
110	1G513-36550	STOPFEN, OELMESSST AB	PLUG,OIL GAUGE	1			0.004	

Update Date : 2020/02/20 Print Date : 2022/02/24

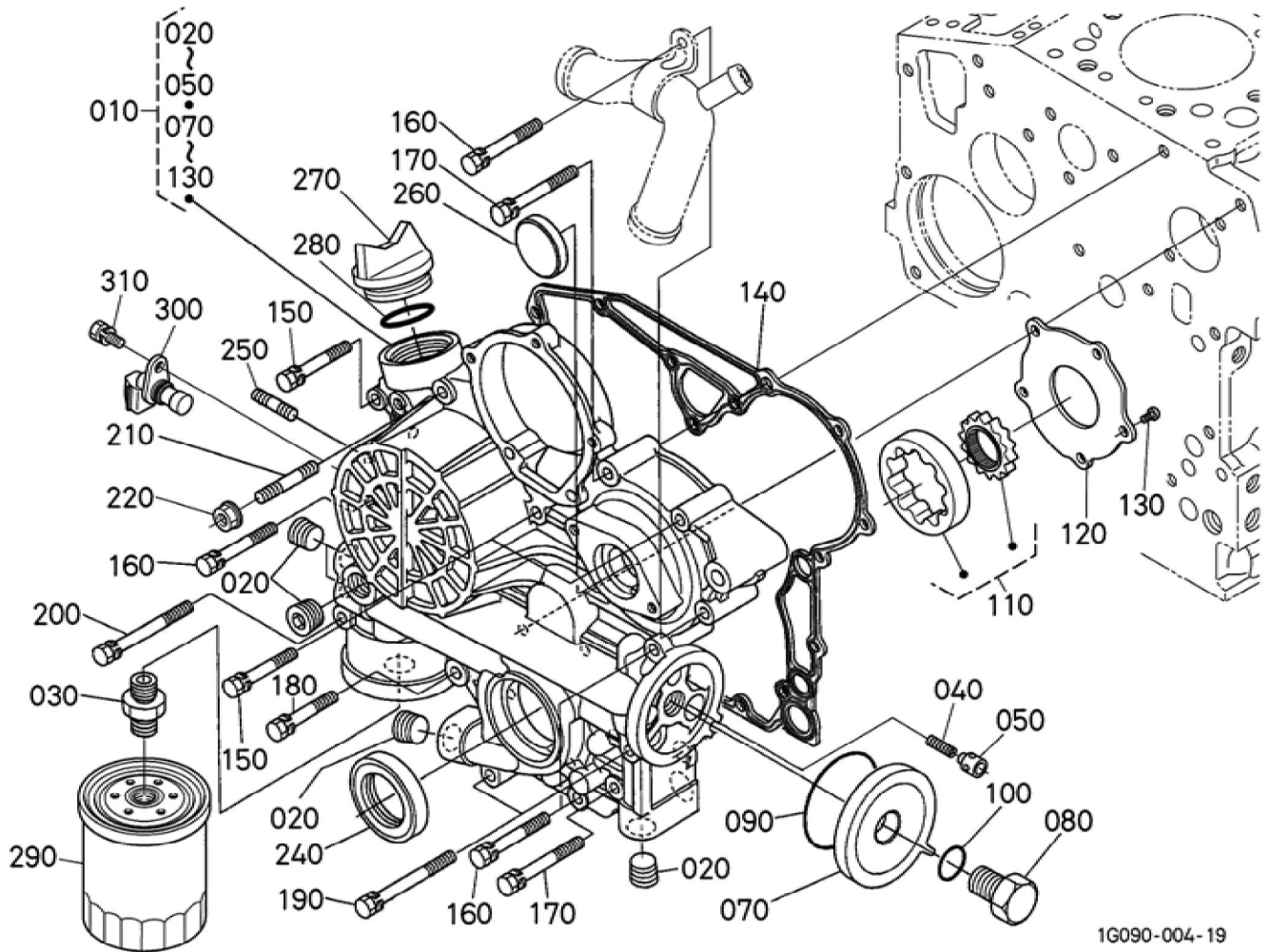


1G976-039-12

Update Date : 2020/02/20 Print Date : 2022/02/24

No.	Part Number	Part Name (POL)	Part Name (ENG)	QTY	IC	Serial No./PIN	Kg	Remarks
010	16241-01750	HAKEN	HOOK,ENGINE	1		<=7ZZ999	0.080	
010	16241-01753	HAKEN	HOOK,ENGINE	1	>>	>=8A0001	0.140	
020	16241-01770	MOTORHAKEN	HOOK,ENGINE	1			0.175	
030	01123-50814	BOLZEN	BOLT,SEMS	2			0.010	
040	1G065-03040	KOMP.ZYLINDERKOPF	COMP.CYLINDER HEAD	1		<=6K9999	9.400	
040	1G065-03042	KOMP.ZYLINDERKOPF	COMP.CYLINDER HEAD	1	>>	>=6L0001	9.400	
040	1G065-03043	KOMP.ZYLINDERKOPF	HEAD,CYL,COMP	1	>>	>=7A0001	9.400	
040	1G065-03044	KOMP.ZYLINDERKOPF	HEAD,CYL,COMP	1	>>	>=7S0001	9.400	
050	15321-96260	KAPPE	CAP,SEALING	1			0.014	
060	15261-96010	STOPFEN	PLUG	2			0.002	
070	16261-13540	EINLASSVENTILFUEHRUNG	GUIDE,INLET VALVE	3			0.020	
080	16261-13560	AUSLASSVENTILFUEHRUNG	GUIDE,EXHAUST VALVE	3			0.019	
090	15261-03370	STOEPSSEL,ABDICHTUNG	CAP,SEALING	2			0.005	
100	16241-03450	ZYLINDERKOPFSCHRAUBE	BOLT,HEAD (CYLINDER)	14			0.050	
110	1G063-03310	ZYLINDERKOPFDICHTUNG	GASKET (HEAD,CYL)	1			0.160	
120	15841-96020	STOPFEN	PLUG	1			0.020	

Update Date : 2020/02/20 Print Date : 2022/02/24



1G090-004-19

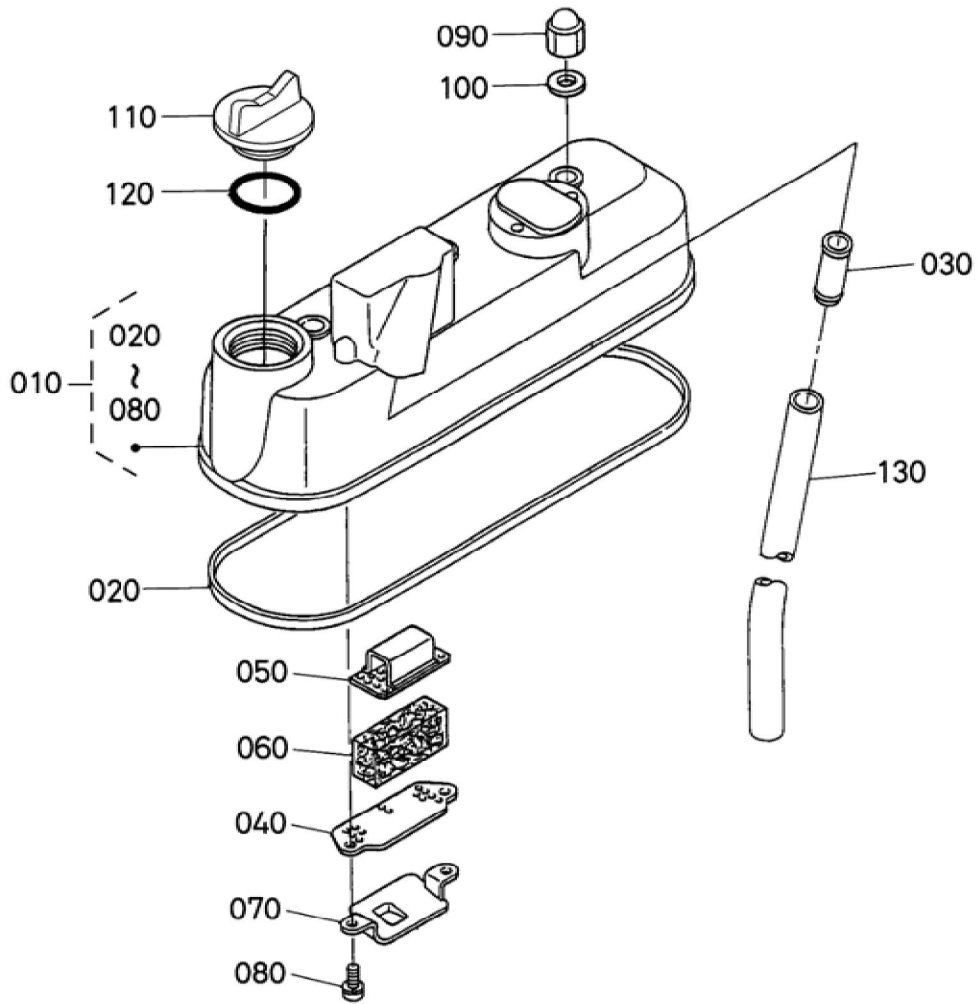
Update Date : 2020/02/20 Print Date : 2022/02/24

No.	Part Number	Part Name (POL)	Part Name (ENG)	QTY	IC	Serial No./PIN	Kg	Remarks
010	1G872-04020	KMP.GETRIE BEGEHAEUS E	COMP.CASE, GEAR	1		<=1DPZ999	3.040	
010	1G872-04023	KMP.GETRIE BEGEHAEUS E	COMP.CASE, GEAR	1	>>	>=1DQ0001	3.040	
020	16241-96020	STOPFEN	PLUG	5			0.015	
030	15241-32290	VERBINDUNG SSTUECK	JOINT,PIPE	1			0.053	
040	16241-36950	FEDER	SPRING	1		<=1DHZ999	0.015	
040	1J050-36950	FEDER	SPRING	1	NI	>=1DJ0001	0.004	
050	16241-36930	SITZ,VENTIL	SEAT,VALVE	1		<=1DHZ999	0.032	
050	1J050-36930	UEBERLAUFV ENTIL	VALVE (RELIEF)	1	NI	>=1DJ0001	0.005	
070	16259-32882	DECKEL	COVER	1			0.090	
080	16259-32900	BOLZEN	BOLT	1			0.080	
090	04814-50600	O RING	O RING	1			0.002	
100	04814-00150	O RING	O RING	1			0.001	
110	16241-35070	ROTOR KOMP.	ASSY ROTOR,OIL PUMP	1		<=1EFZ999	0.270	
110	1J050-35070	ROTOR KOMP.	ROTOR,ASSY (OIL PUMP)	1	NI	>=1EG0001	0.244	
120	16259-35132	DECKEL, OELPUMPE	COVER,OIL PUMP	1		<=1EFZ999	0.070	
120	16219-35130	OELPUMPED ECKEL	COVER	1	NI	>=1EG0001	0.092	
130	16241-93120	SCHRAUBE	SCREW,CSK- HD	5		<=1EFZ999	0.005	
130	03017-50614	SCHRAUBE	SCREW,BINDI NG(PHILLIPS)	5	NI	>=1EG0001	0.005	
140	16264-04132	DICHTUNG	GASKET,GEA R CASE	1			0.010	
150	01023-50645	BOLZEN	BOLT,SEMS	3			0.010	
160	01023-50650	BOLZEN	BOLT,SEMS	4			0.012	
170	01023-50655	BOLZEN	BOLT,SEMS	2			0.012	
180	15841-91040	BOLZEN	BOLT	1			0.010	
190	16241-91040	BOLZEN	BOLT	2			0.015	
200	16259-91040	BOLZEN	BOLT	1			0.016	
210	16245-91530	STEBBOLZEN	STUD	1			0.010	

Update Date : 2020/02/20 Print Date : 2022/02/24

No.	Part Number	Part Name (POL)	Part Name (ENG)	QTY	IC	Serial No./PIN	Kg	Remarks
220	02056-50060	MUTTER	HEX.NUT	1		<=7VZ999	0.002	
220	02751-50060	MUTTER	NUT,FLANGE	1	>>	>=7W0001	0.005	
240	16259-04210	OELDICHTUNGSRING	SEAL,OIL	1			0.015	
250	16245-91540	STEBBOLZEN	STUD	2			0.005	
260	16264-83342	DECKEL, GETRIEBEGEHAEUSE	COVER,GEAR CASE	1			0.010	
270	E9151-33140	OELEINFUELLSTOPFEN	PLUG(OIL FILLER)	1			0.017	
280	04814-50300	O RING	O RING	1		<=9VZ999	0.001	
280	1J001-96770	O RING	O RING	1	>>	>=9W0001	0.001	
290	15241-32090	OELFILTERPATRONE	ASSY CARTRIDGE, OIL	1		<=6H9999	0.350	ORDER BY NEW PART
290	15241-32094	OELFILTERPATRONE	ASSY CARTRIDGE, OIL F	1	>>	>=6J0001	0.350	ORDER BY NEW PART
300	T1060-32270	DREHZAHLSENSOR	SENSOR	1		<=1HVZ999	0.022	
300	5H911-42622	EINHEIT	SENSOR (REVOLUTION)	1	>>	>=1HW0001	0.025	
310	01023-50616	BOLZEN	BOLT,SEMS	1			0.006	

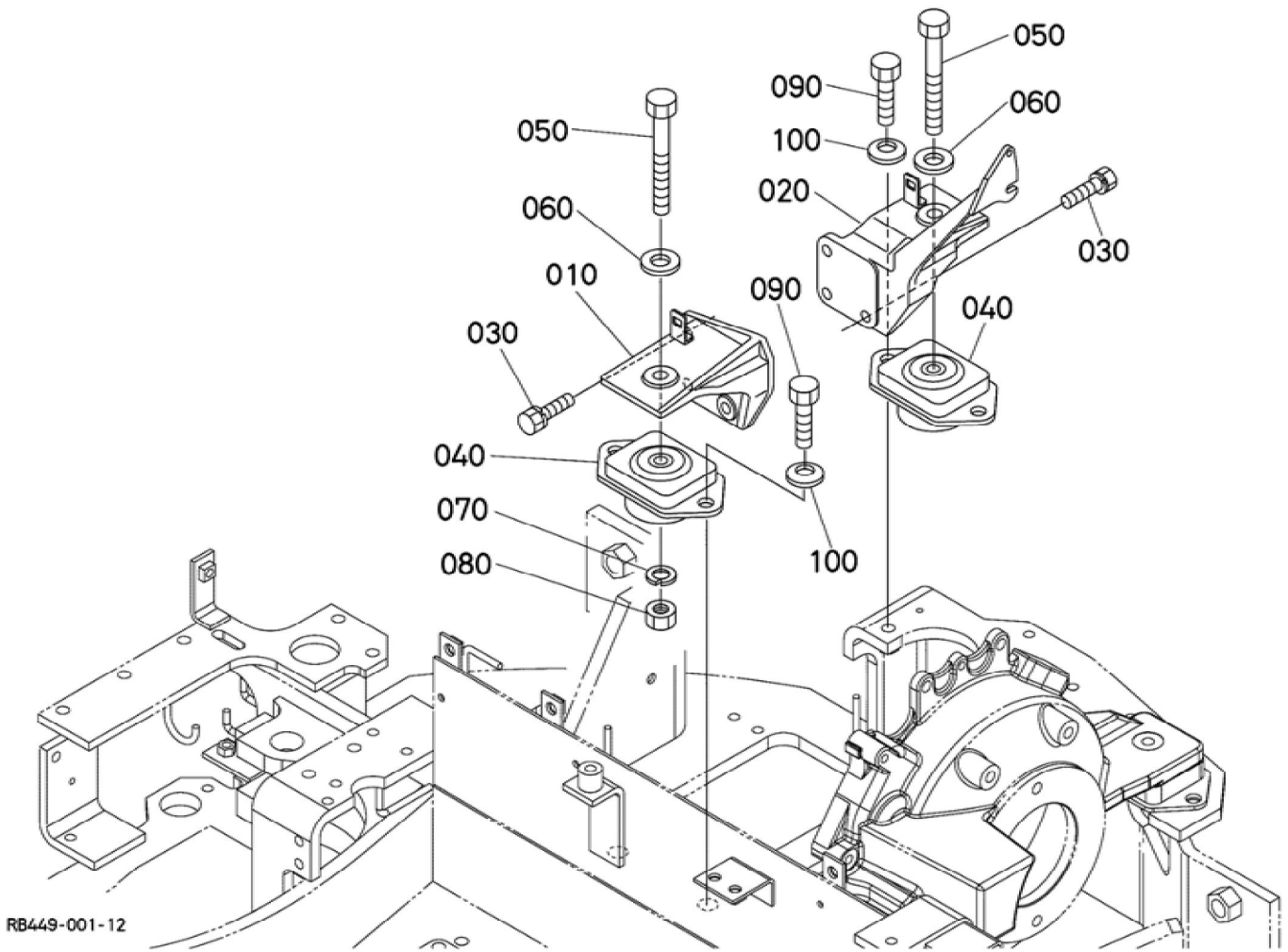
Update Date : 2020/02/20 Print Date : 2022/02/24



Update Date : 2020/02/20 Print Date : 2022/02/24

No.	Part Number	Part Name (POL)	Part Name (ENG)	QTY	IC	Serial No./PIN	Kg	Remarks
010	16261-14503	VENTILDECKEL	COVER,HEAD,ASSY (CYLINDER)	1		<=1DFZ999	0.780	
010	16261-14505	VENTILDECKEL	ASSY COVER,CYL. HEAD	1	>>	>=1DG0001	0.780	
020	16261-14520	VENTILDECKELDICHUNG	GASKET,HEAD COVER	1		<=1DFZ999	0.010	
020	16261-14524	VENTILDECKELDICHUNG	GASKET,HEAD COVER	1	>>	>=1DG0001	0.010	
030	16241-05550	VERBINDUNG	JOINT,BREATHING PIPE	1			0.020	
040	16241-05140	PLATTE,ELEMENT	PLATE,B/THER ELEMENT	1			0.005	
050	16241-05150	PLATTE,ELEMENT	PLATE,B/THER ELEMENT	1			0.010	
060	16241-05670	ENTLUEFTUNGSELEMENT	ELEMENT (BREATHING)	1			0.010	
070	16241-05370	OELSCHILD,ENTLUEFTER	OIL SHIELD,BREATHING	1			0.010	
080	03024-50510	SCHRAUBE	SCREW,SEMS (PAN HEAD)	2			0.002	
090	15952-92330	MUTTER	NUT,CAP	3			0.010	
100	15951-96660	DICHTUNGSPLATTE	PACKING	3			0.001	
110	E9151-33140	OELEINFUELLSTOPFEN	PLUG(OIL FILLER)	1			0.017	
120	1J001-96770	O RING	O RING	1			0.001	
130	16264-05510	ENTLUEFTUNGSRÖHR	TUBE,BREATHING	1		<=6M9999	0.068	
130	1G090-05510	ENTLUEFTUNGSRÖHR	TUBE,BREATHING	1	NI	>=6N0001	0.070	

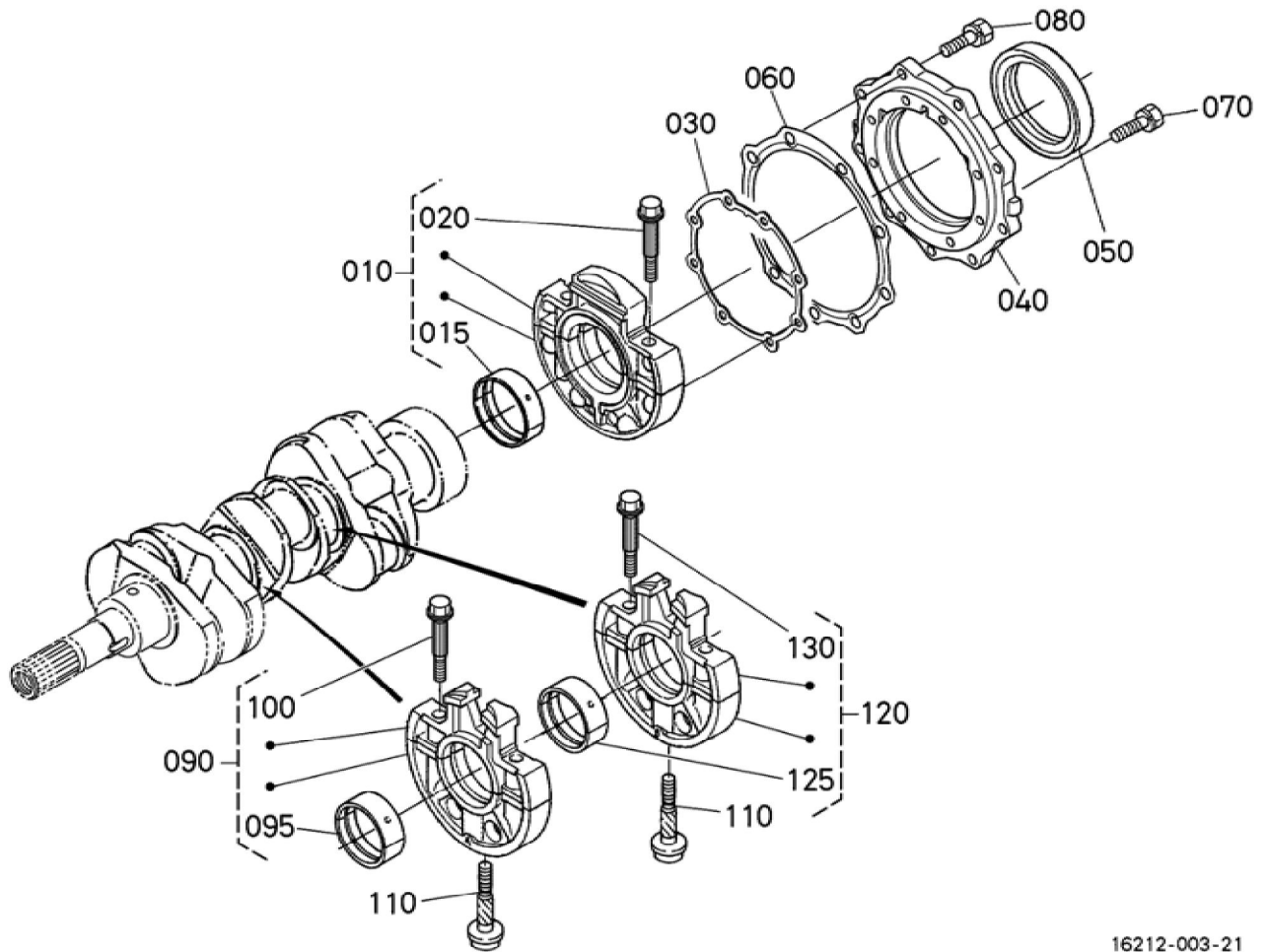
Update Date : 2020/02/20 Print Date : 2022/02/24



Update Date : 2020/02/20 Print Date : 2022/02/24

No.	Part Number	Part Name (POL)	Part Name (ENG)	QTY	IC	Serial No./PIN	Kg	Remarks
010	RB441-42110	TRAEGER,MOTOR	BRACKET,ENGINE	1		<=20082	1.400	
010	RB441-42113	TRAEGER,MOTOR	BRACKET,ENGINE	1	>>	>=20083	1.420	
020	RB441-42120	TRAEGER,MOTOR	BRACKET,ENGINE	1			1.720	
030	01133-51025	SCHRAUBE	BOLT,SEMS	6			0.023	
040	RB411-42164	GUMMIPUFFER	CUSHION,RUBBER	2			0.690	
050	01173-51290	BOLZEN	HEX.BOLT	2			0.089	
060	04013-50120	SCHEIBE	WASHER,PLAIN	2			0.007	
070	04512-50120	FEDERRING	WASHER,SPRING LOCK	2			0.003	
080	02174-50120	MUTTER	HEX.NUT	2			0.010	
090	01176-51240	BOLZEN	HEX.BOLT	4			0.046	
100	35340-27370	FEDER-PLATTE	SPRING,PLATE	4			0.015	

Update Date : 2020/02/20 Print Date : 2022/02/24





Download the full PDF manual instantly.

Our customer service e-mail:

aservicemanualpdf@yahoo.com