

BKIDA0056 >> U-20 >> MOTOR / ENGINE >> 000100 KURBELGEHAEUSE / CRANK CASE

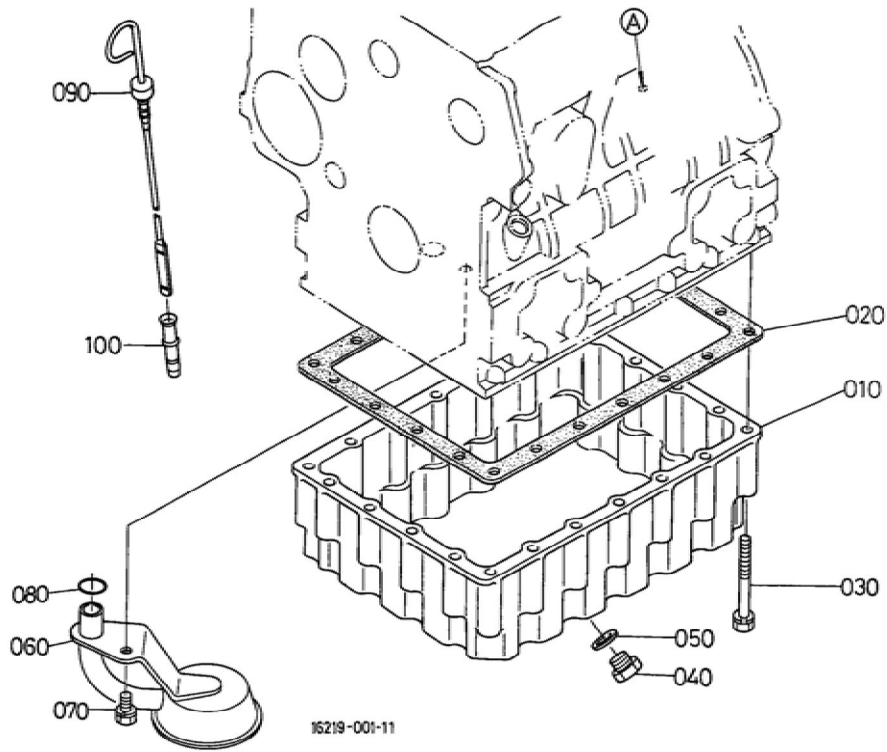
Update Date : 2016/03/24 Print Date : 2022/02/23

No.	Part Number	Part Name (POL)	Part Name (ENG)	QTY	IC	Serial No./PIN	Kg	Remarks
010	16684-01012	KOMP.KURBELGEHAEUSE	COMP.CRANKCASE	1		<=YB0607	32.000	
010	16684-01013	KOMP.KURBELGEHAEUSE	COMP.CRANKCASE	1	>>	=>YC0001	32.000	
010	16684-01014	KOMP.KURBELGEHAEUSE	COMP.CRANKCASE	1	NI	=>YL0001	32.000	
010	16684-01015	KOMP.KURBELGEHAEUSE	COMP.CRANKCASE	1	>>	=>YG0001	0.000	
020	15451-96270	KAPPE	CAP SEALING	4			0.010	
030	15221-03490	STOPFEN	CAP SEALING	1			0.020	
040	15261-96010	STOPFEN	PLUG	3			0.002	
050	16683-96020	STOPFEN	PLUG	1			0.088	
060	16241-96010	STOPFEN	PLUG	3			0.007	
070	15521-96020	STOPFEN	PLUG	2			0.003	
080	17391-96160	STOPFEN	PLUG EXPANSION	3			0.003	
090	16271-96160	STOPFEN	PLUG EXPANSION	1			0.025	
100	05012-00508	ZYLINDERSTIFT	PIN STRAIGHT	2		<=WT2678	0.001	
100	16225-94510	ZYLINDERSTIFT	PIN STRAIGHT	2	=	=>WU0001	0.001	
110	05012-00814	ZYLINDERSTIFT	PIN STRAIGHT	2		<=WT2678	0.006	
110	16221-94530	ZYLINDERSTIFT	PIN STRAIGHT	2	=	=>WU0001	0.006	
120	05012-00610	ZYLINDERSTIFT	PIN STRAIGHT	2		<=WT2678	0.003	
120	16221-94520	ZYLINDERSTIFT	PIN STRAIGHT	2	=	=>WU0001	0.005	
130	15231-33960	ROHRSTIFT	PIN PIPE	2			0.001	
140	16241-33650	ROHRSTIFT	PIN PIPE	1			0.002	
150	16241-96262	STOPFEN	PLUG FUEL CAMSHAFT	1			0.007	
160	16261-56280	STARTFEDERSTIFT	PIN START SPRING	1			0.004	
170	16282-96010	STOPFEN	PLUG	1			0.090	

BKIDA0056 >> U-20 >> MOTOR / ENGINE >> 000100 KURBELGEHAEUSE / CRANK CASE

Update Date : 2016/03/24 Print Date : 2022/02/23

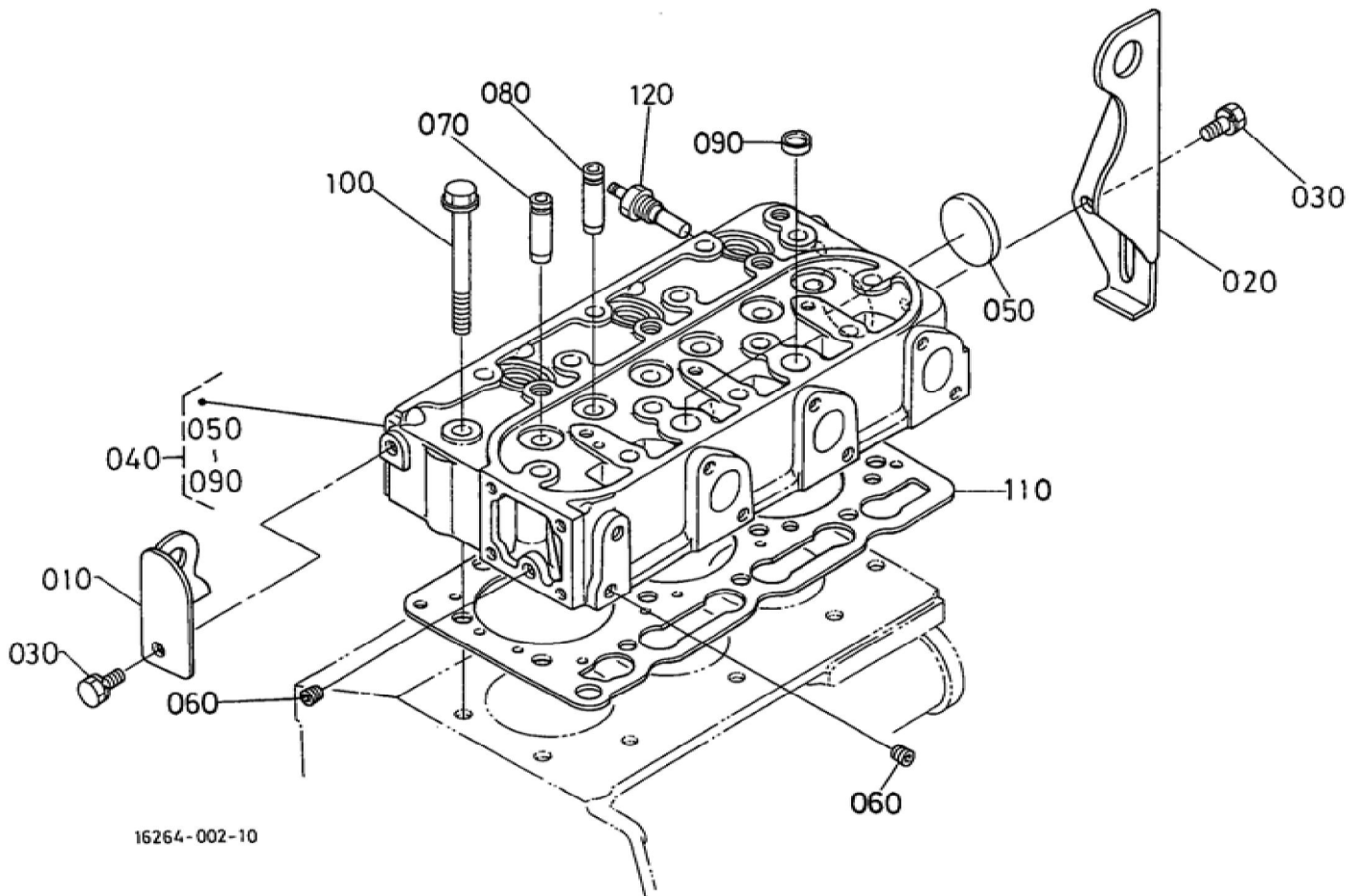
No.	Part Number	Part Name (POL)	Part Name (ENG)	QTY	IC	Serial No./PIN	Kg	Remarks
180	16271-55350	BUCHSE	BUSH GOVERNOR GEAR	1			0.060	
190	15221-33610	STOPFEN	PLUG	1			0.009	
200	15021-33660	DICHTUNGSP LATTE	GASKET	1			0.001	
210	15221-33700	O RING	O RING	1			0.001	
220	06311-55020	STOPFEN	PLUG	1			0.031	
230	15531-39010	OELDRUCKS CHALTER	SWITCH OIL	1			0.032	
240	04714-00200	DICHTUNGSP LATTE	GASKET	1			0.001	



BKIDA0056 >> U-20 >> MOTOR / ENGINE >> 000200 OELWANNE / OIL PAN

Update Date : 2016/03/24 Print Date : 2022/02/23

No.	Part Number	Part Name (POL)	Part Name (ENG)	QTY	IC	Serial No./PIN	Kg	Remarks
010	16217-01610	OELWANNE	OIL PAN	1			5.500	
020	16261-01630	DICHTUNG	GASKET OIL PAN	1			0.001	
030	01023-50665	BOLZEN	BOLT	22			0.015	
040	15221-33750	STOPFEN	PLUG	1			0.032	
050	15109-33660	DICHTUNGSP LATTE	GASKET	1		<=WP2119	0.001	
050	6C090-58960	DICHTUNGSP LATTE	GASKET	1	>>	=>WQ0001	0.005	
060	16261-32113	OELFILTER	FILTER OIL	1		<=XG9803	0.210	
060	16261-32114	OELFILTER	FILTER OIL	1	>>	=>XJ0001	0.210	
070	01123-60816	SCHRAUBE	BOLT	1			0.010	
080	04814-00160	O RING	O RING	1			0.001	
090	17421-36410	OELMESSST AB	GAUGE OIL	1		<=XS9983	0.040	
090	17456-36410	OELMESSST AB	GAUGE OIL	1	NI	=>XU0001	0.050	
100	17456-36420	FUEHRUNG, OELMESSST AB	GUIDE OIL GAUGE	1		=>XU0001	0.030	



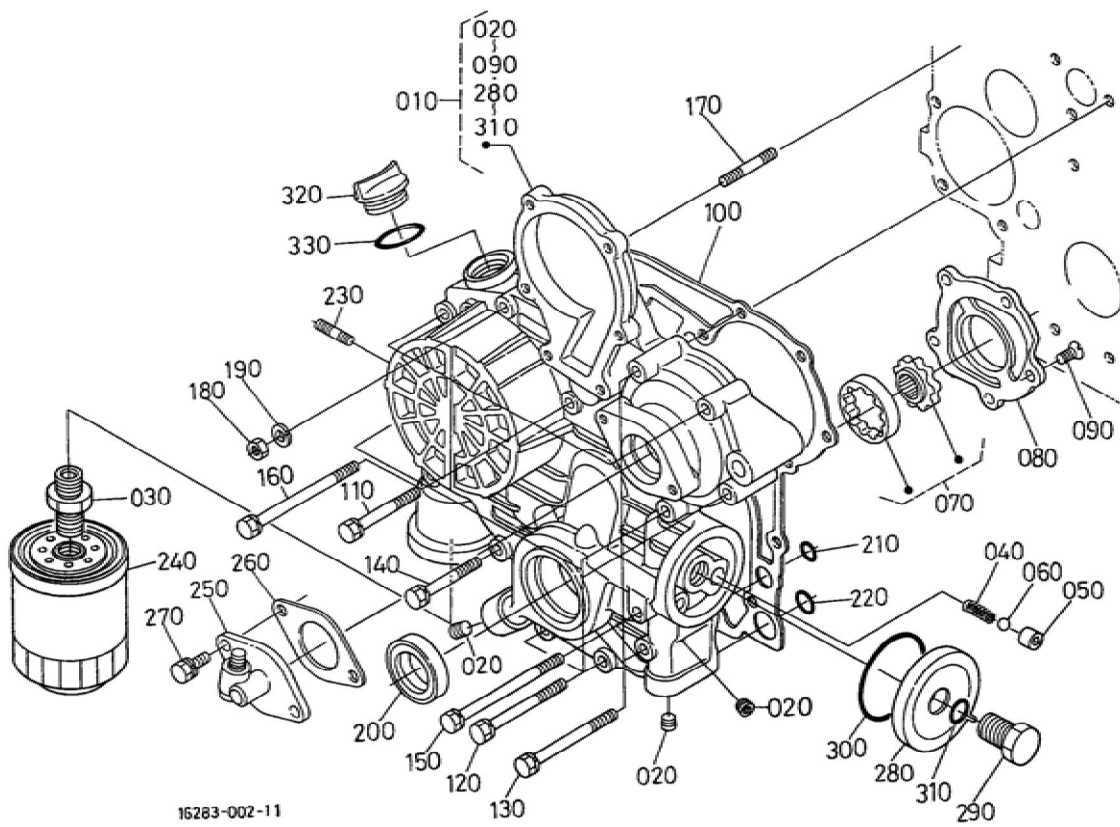
16264-002-10

BKIDA0056 >> U-20 >> MOTOR / ENGINE >> 000300 ZYLINDERKOPF / CYLINDER HEAD

Update Date : 2016/03/24 Print Date : 2022/02/23

No.	Part Number	Part Name (POL)	Part Name (ENG)	QTY	IC	Serial No./PIN	Kg	Remarks
010	16241-01750	MOTORHAKE N	HOOK ENGINE	1			0.080	
020	16241-01770	MOTORHAKE N	HOOK ENGINE	1			0.175	
030	01123-60814	BOLZEN	BOLT	2			0.010	
040	16032-03042	KOMP.ZYLIN DERKOPF	COMP.CYLIN DER HEAD	1			9.200	
050	15321-96260	KAPPE	CAP SEALING	1			0.014	
060	15261-96010	STOPFEN	PLUG	2			0.002	
070	16241-13540	EINLASSVEN TILFUEHRUN G	GUIDE INLET VALVE	3			0.020	
080	16241-13560	AUSLASSVEN TILFUEHRUN G	GUIDE EXHAUST VALVE	3			0.010	
090	15261-03370	STOEPSSEL,A BDICHTUNG	CAP SEALING	2			0.005	
100	16241-03450	ZYLINDERKO PFSCHRAUB E	BOLT CYLINDER HEAD	14			0.050	
110	1E038-03310	ZYLINDERKO PFDICHTUNG	GASKET CYLINDER HEAD	1			0.070	
120	31351-32830	TEMPERATU RGEBER	SENSOR THERMO	1			0.020	

Update Date : 2016/03/24 Print Date : 2022/02/23



BKIDA0056 >> U-20 >> MOTOR / ENGINE >> 000400 GETRIEBE GEHAEUSE / GEAR CASE

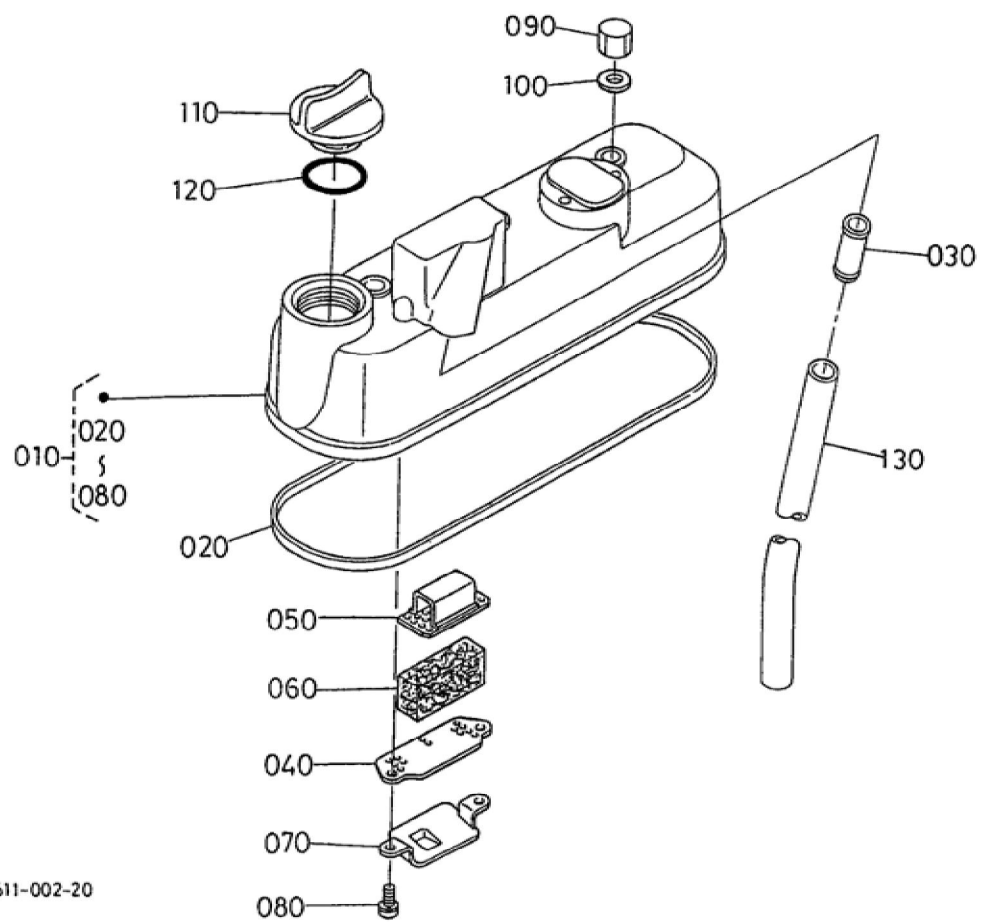
Update Date : 2016/03/24 Print Date : 2022/02/23

No.	Part Number	Part Name (POL)	Part Name (ENG)	QTY	IC	Serial No./PIN	Kg	Remarks
010	16259-04020	KMP.GETRIE BEGEHAEUS E	COMP.CASE GEAR	1			3.040	
020	16241-96020	STOPFEN	PLUG	5			0.015	
030	15241-32290	VERBINDUNG SSTUECK	JOINT PIPE	1			0.053	
040	16241-36950	FEDER	SPRING	1			0.015	
050	16241-36930	SITZ,VENTIL	SEAT VALVE	1			0.032	
060	07715-00201	KUGEL	BALL	1			0.008	
070	16241-35070	ROTOR KOMP.	ASSY ROTOR OIL PUMP	1			0.270	
080	16259-35132	DECKEL, OELPUMPE	COVER OIL PUMP	1			0.070	
090	16241-93120	SCHRAUBE	SCREW CSK- HD	5			0.005	
100	16264-04130	DICHTUNG	GASKET GEAR CASE	1			0.000	
110	01023-50645	BOLZEN	BOLT	3			0.010	
120	01023-60650	BOLZEN	BOLT	4			0.015	
130	01023-50655	BOLZEN	BOLT	2			0.012	
140	15841-91040	BOLZEN	BOLT	1			0.010	
150	16241-91040	BOLZEN	BOLT	2			0.015	
160	16259-91040	BOLZEN	BOLT	1			0.016	
170	16245-91530	STEBOLZEN	STUD	1			0.010	
180	02056-50060	MUTTER	NUT	1			0.002	
190	04512-60060	FEDERRING	WASHER SPRING	1			0.001	
200	16259-04210	OELDICHTUN GSRING	SEAL OIL	1			0.015	
210	04814-06100	O RING	O RING	2			0.003	
220	04814-00150	O RING	O RING	2			0.001	
230	16245-91540	STEBOLZEN	STUD	2			0.005	
240	15241-32090	OELFILTERP ATRONE	CARTRIDGE OIL FILTER	1			0.350	
240	HH150-32094	OELFILTERP ATRONE	CARTRIDGE OIL FILTER	1	>>		0.300	
250	58417-25950	GRP.GETRIE BEGEHAEUS E	ASSY GEAR CASE H/M	1			0.290	

BKIDA0056 >> U-20 >> MOTOR / ENGINE >> 000400 GETRIEBE GEHAEUSE / GEAR CASE

Update Date : 2016/03/24 Print Date : 2022/02/23

No.	Part Number	Part Name (POL)	Part Name (ENG)	QTY	IC	Serial No./PIN	Kg	Remarks
260	16264-88130	DICHTUNG	GASKET H/METER UNIT	1			0.002	
270	01023-50618	BOLZEN	BOLT	2			0.006	
280	16259-32882	DECKEL	COVER	1			0.090	
290	16259-32900	BOLZEN	BOLT	1			0.080	
300	04814-50600	O RING	O RING	1			0.002	
310	04814-00150	O RING	O RING	1			0.001	
320	15852-33140	OELEINFUELSSTOPFEN	PLUG OIL FILLER	1			0.038	
330	04814-50300	O RING	O RING	1			0.001	



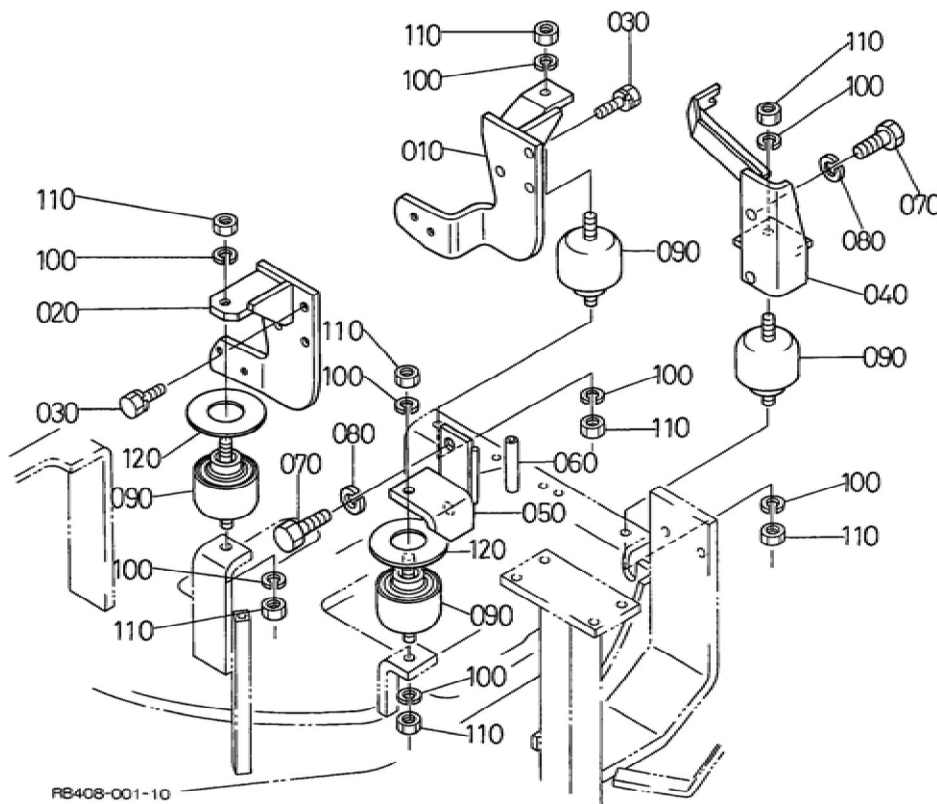
16611-002-20

BKIDA0056 >> U-20 >> MOTOR / ENGINE >> 000500 VENTILDECKEL / HEAD COVER

Update Date : 2016/03/24 Print Date : 2022/02/23

No.	Part Number	Part Name (POL)	Part Name (ENG)	QTY	IC	Serial No./PIN	Kg	Remarks
010	16261-14503	VENTILDECKEL	ASSY COVER CYL.HEAD	1			0.780	
020	16261-14520	VENTILDECKELDICHUNG	GASKET HEAD COVER	1			0.010	
030	16241-05550	VERBINDUNG	JOINT BREATHER PIPE	1			0.020	
040	16241-05140	PLATTE,ELEMENT	PLATE B/THER ELEMENT	1			0.005	
050	16241-05150	PLATTE,ELEMENT	PLATE B/THER ELEMENT	1			0.010	
060	16241-05670	ENTLUEFTUNGSELEMENT	ELEMENT BREATHER	1			0.010	
070	16241-05370	OELSCHILD,ENTLUEFTER	OIL SHIELD BREATHER	1			0.010	
080	03024-50510	SCHRAUBE	SCREW WITH WASHER	2			0.002	
090	15952-92330	MUTTER	NUT	3			0.010	
100	15951-96660	DICHTUNGSPLATTE	GASKET	3			0.001	
110	15852-33140	OELEINFUELLSSTOPFEN	PLUG OIL FILLER	1			0.038	
120	04814-50300	O RING	O RING	1			0.001	
130	16264-05510	ENTLUEFTUNGSRÖHR	TUBE BREATHER	1			0.068	

Update Date : 2016/03/24 Print Date : 2022/02/23

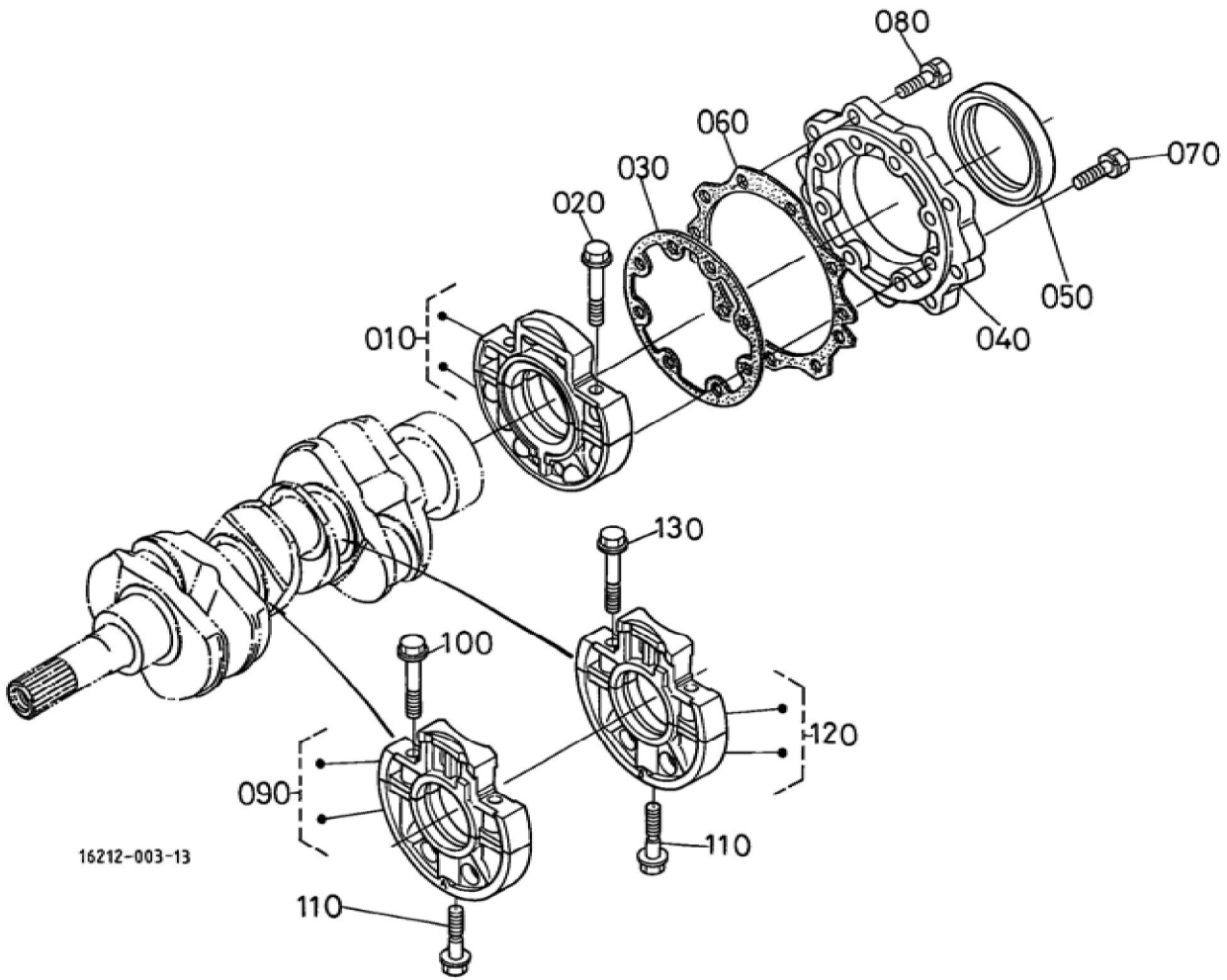


BKIDA0056 >> U-20 >> MOTOR / ENGINE >> 003000 MOTOR TRAEGER / ENGINE BRACKET

Update Date : 2016/03/24 Print Date : 2022/02/23

No.	Part Number	Part Name (POL)	Part Name (ENG)	QTY	IC	Serial No./PIN	Kg	Remarks
010	RB401-42110	TRAEGER,M OTOR	BRACKET ENGINE	1			1.920	
020	RB401-42120	TRAEGER,M OTOR	BRACKET ENGINE	1			1.990	
030	01133-61025	SCHRAUBE	BOLT	6			0.020	
040	RB401-42130	TRAEGER,M OTOR	BRACKET ENGINE	1			1.530	
050	RB401-42140	TRAEGER,M OTOR	BRACKET ENGINE	1			0.950	
060	09664-80130	KRAFTSTOFF ROHR	TUBE FUEL	1			0.014	
070	01173-61430	BOLZEN	BOLT	4			0.050	
080	04512-60140	FEDERRING	WASHER SPRING	4			0.008	
090	68051-42160	GUMMIPUFF ER	CUSHION RUBBER	4			0.370	
100	04512-60100	FEDERRING	WASHER SPRING	8			0.002	
110	02118-60100	MUTTER	NUT	8			0.006	
120	RC101-42170	DECKEL	COVER RUBBER SEAT	2			0.004	

Update Date : 2016/03/24 Print Date : 2022/02/23

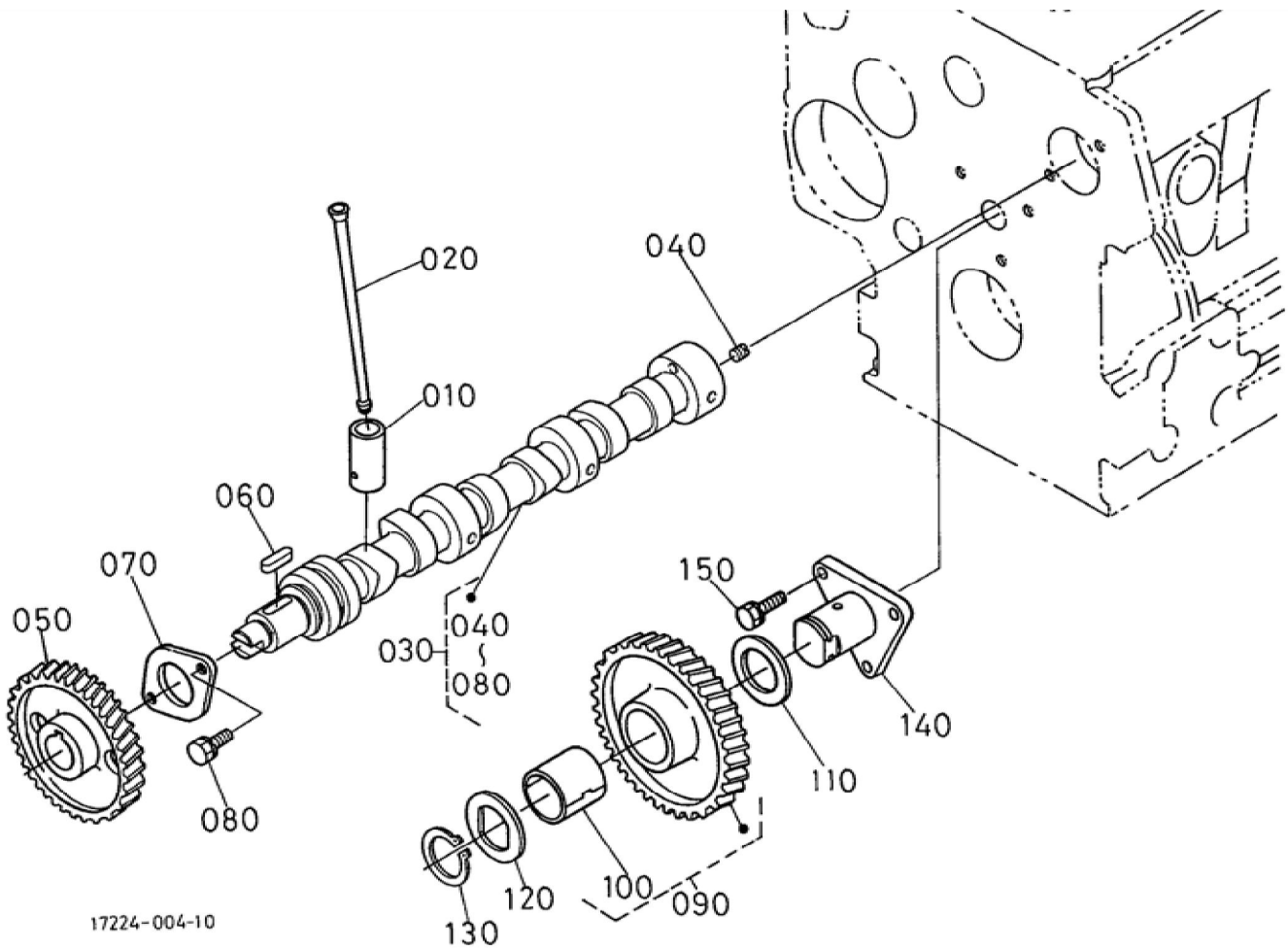


16212-003-13

Update Date : 2016/03/24 Print Date : 2022/02/23

No.	Part Number	Part Name (POL)	Part Name (ENG)	QTY	IC	Serial No./PIN	Kg	Remarks
010	16241-04092	GRP.LAGERG EHAEUSE	ASSY CASE MAIN BRG.	1			1.130	
020	16241-04540	BOLZEN,LAG ERKASTEN	BOLT BEARING CASE	2			0.020	
030	16264-04360	DICHTUNG	GASKET BRG.CASE	1			0.002	
040	16241-04813	DECKEL,LAG ERKASTEN	COVER BEARING CASE	1			0.220	
050	16241-04460	OELDICHTUN GSRING	SEAL OIL	1			0.020	
060	16264-04820	DICHTUNGSP LATTE	GASKET	1			0.008	
070	01023-50625	BOLZEN	BOLT	8			0.007	
080	01023-50620	BOLZEN	BOLT	9			0.006	
090	16261-04040	GRP.LAGERG EHAEUSE	ASSY CASE MAIN BRG.	1			0.900	
100	16241-04540	BOLZEN,LAG ERKASTEN	BOLT BEARING CASE	2			0.020	
110	16241-04560	BOLZEN,LAG ERKASTEN	BOLT BEARING CASE	2			0.030	
120	16261-04050	GRP.LAGERG EHAEUSE	ASSY CASE MAIN BRG.	1			1.110	
130	16241-04540	BOLZEN,LAG ERKASTEN	BOLT BEARING CASE	2			0.020	

Update Date : 2016/03/24 Print Date : 2022/02/23





Download the full PDF manual instantly.

Our customer service e-mail:

aservicemanualpdf@yahoo.com