

## BKIDA0177 &gt;&gt; U-15 &gt;&gt; MOTOR / ENGINE &gt;&gt; 000100 KURBELGEHAEUSE / CRANK CASE

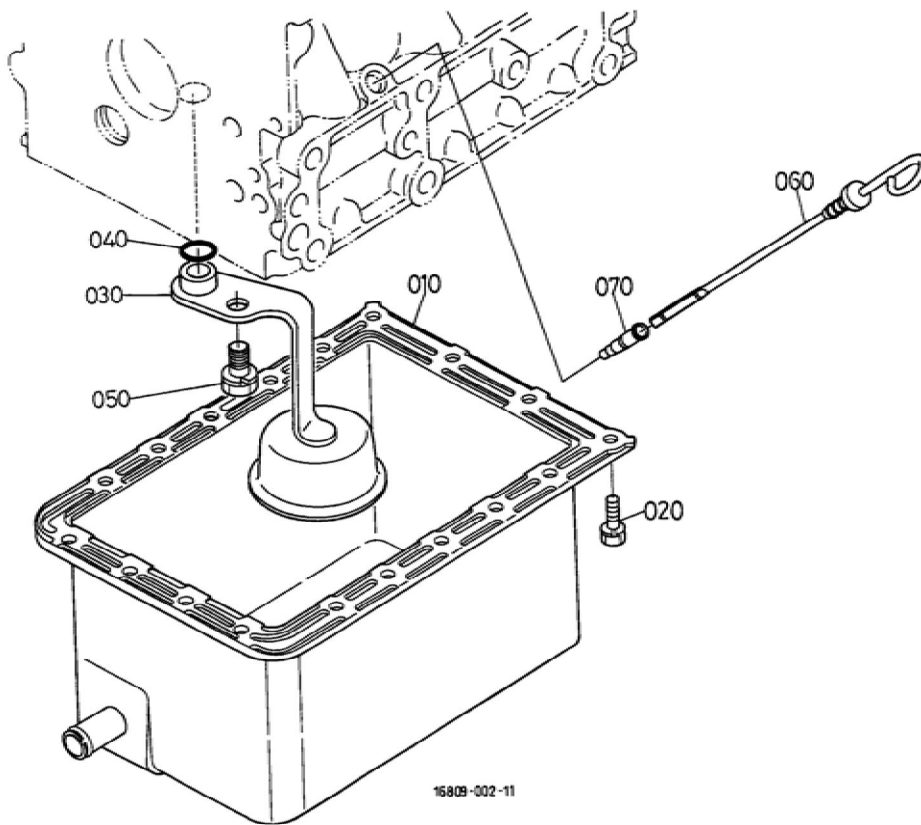
Update Date : 2017/08/25 Print Date : 2022/02/23

No.	Part Number	Part Name (POL)	Part Name (ENG)	QTY	IC	Serial No./PIN	Kg	Remarks
010	16809-01010	KOMP.KURBELGEHAEUSE	COMP.CRANKCASE	1		<=3S8996	14.000	
010	16809-01012	KOMP.KURBELGEHAEUSE	COMP.CRANKCASE	1	>>	=>3U0001	14.000	
010	16809-01013	KOMP.KURBELGEHAEUSE	COMP.CRANKCASE	1	>>	=>3W0001	14.000	
010	16809-01014	KOMP.KURBELGEHAEUSE	COMP.CRANKCASE	1	>>	=>4A0001	14.000	
010	16809-01015	KOMP.KURBELGEHAEUSE	COMP.CRANKCASE	1	>>	=>4Q0001	14.000	
020	16851-96260	KAPPE	CAP SEALING	3			0.005	
030	16851-96270	KAPPE	CAP SEALING	5			0.005	
040	15451-96270	KAPPE	CAP SEALING	2			0.010	
050	15261-96010	STOPFEN	PLUG	5			0.002	
060	15521-96020	STOPFEN	PLUG	3			0.003	
070	15521-96030	STOPFEN	PLUG	1			0.007	
080	15261-96160	STOPFEN	PLUG EXPANSION	1			0.020	
090	05012-00508	ZYLINDERSTIFT	PIN STRAIGHT	2			0.001	
100	05012-00814	ZYLINDERSTIFT	PIN STRAIGHT	2			0.006	
110	15221-33650	ROHRSTIFT	PIN PIPE	1			0.004	
120	15231-33960	ROHRSTIFT	PIN PIPE	2			0.001	
130	17331-59190	ROHRSTIFT	PIN PIPE	2			0.002	
140	16851-16212	DECKEL	COVER FUEL CAMSHAFT	1			0.030	
150	15221-33700	O RING	O RING	1			0.001	
160	15321-73340	WASSERROHR	PIPE WATER RETURN	1			0.016	
170	16851-35010	GRP.OELPUMPE	ASSY PUMP OIL	1		<=2J7251	0.240	
170	16851-35012	GRP.OELPUMPE	ASSY PUMP OIL	1	>>	=>2L0001	0.240	
180	16851-35152	DICHTUNG,OELPUMPE	GASKET OIL PUMP NA	1			0.001	
190	15841-91050	BOLZEN	BOLT	3			0.010	

## BKIDA0177 &gt;&gt; U-15 &gt;&gt; MOTOR / ENGINE &gt;&gt; 000100 KURBELGEHAEUSE / CRANK CASE

Update Date : 2017/08/25 Print Date : 2022/02/23

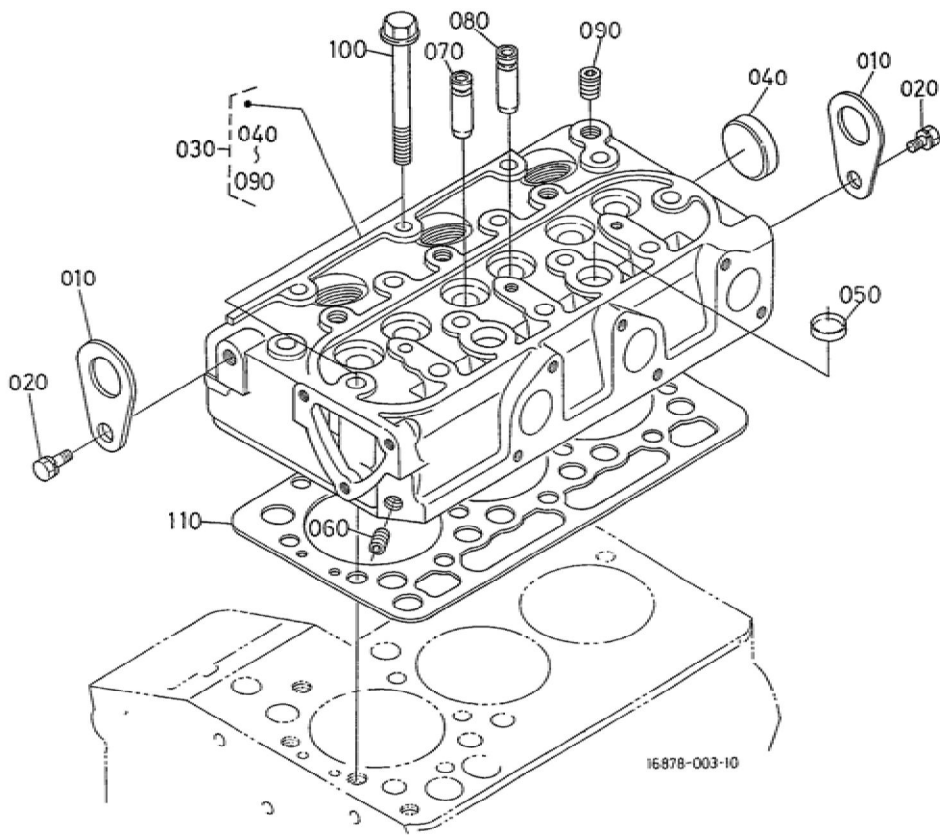
No.	Part Number	Part Name (POL)	Part Name (ENG)	QTY	IC	Serial No./PIN	Kg	Remarks
200	15841-35660	ZAHNRAD	GEAR OIL PUMP DRIVE	1			0.113	
210	05712-00408	KEIL	KEY FEATHER	1			0.001	
220	02783-50100	MUTTER	NUT FLANGE	1			0.010	
230	15531-39010	OELDRUCKS CHALTER	SWITCH OIL	1			0.032	



## BKIDA0177 &gt;&gt; U-15 &gt;&gt; MOTOR / ENGINE &gt;&gt; 000200 OELWANNE / OIL PAN

Update Date : 2017/08/25 Print Date : 2022/02/23

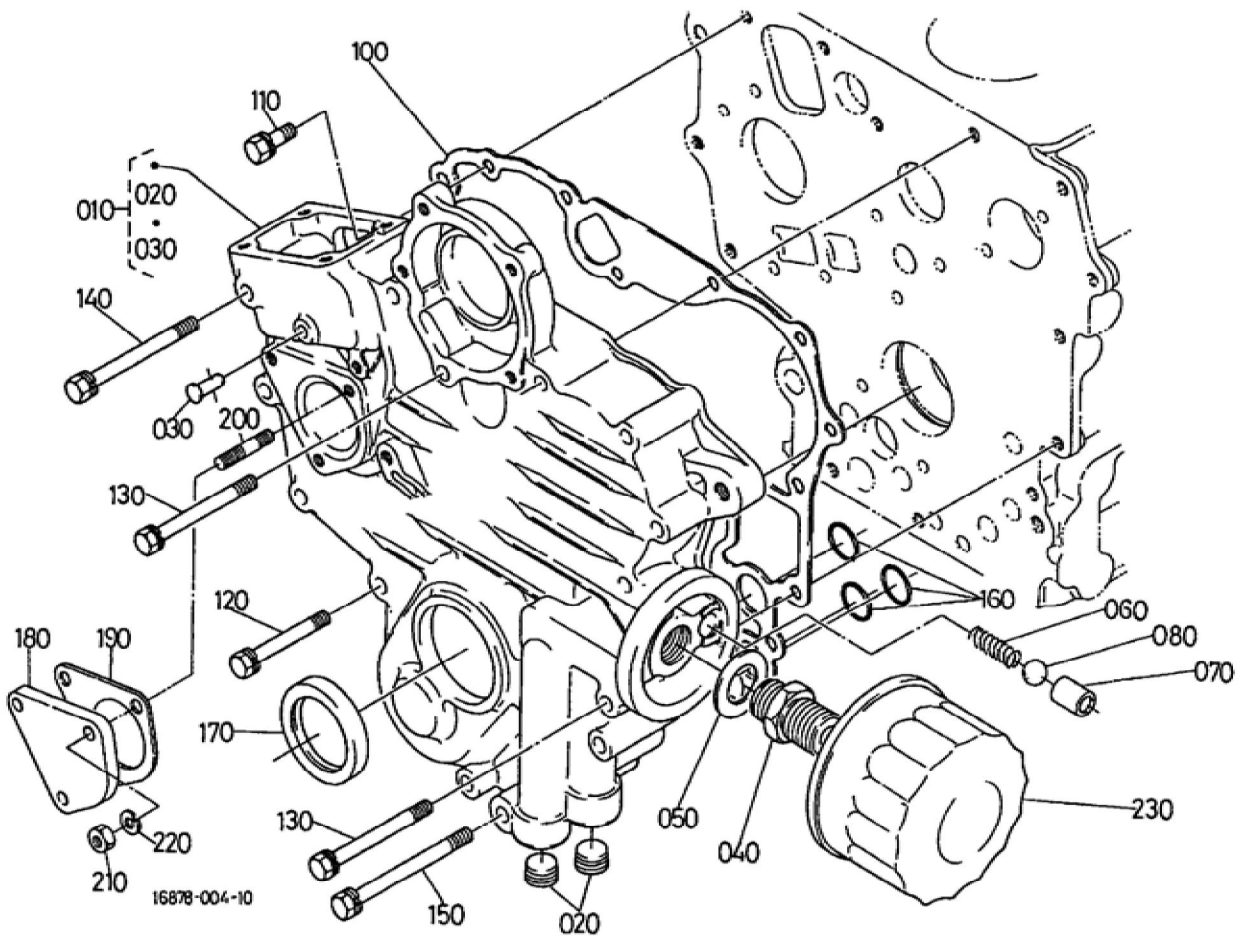
No.	Part Number	Part Name (POL)	Part Name (ENG)	QTY	IC	Serial No./PIN	Kg	Remarks
010	17472-01500	KOMP.OELW ANNE	COMP.OIL PAN	1			1.300	
020	01023-50612	BOLZEN	BOLT	18			0.005	
030	19025-32112	OELFILTER	FILTER OIL	1			0.150	
040	04814-00160	O RING	O RING	1			0.001	
050	01123-60814	BOLZEN	BOLT	1			0.010	
060	16809-36410	OELMESSST AB	GAUGE OIL	1			0.040	
070	16809-36420	FUEHRUNG, OELMESSST AB	GUIDE OIL GAUGE	1		<=YY8644	0.028	
070	17456-36420	FUEHRUNG, OELMESSST AB	GUIDE OIL GAUGE	1	=	=>1A0001	0.030	



## BKIDA0177 &gt;&gt; U-15 &gt;&gt; MOTOR / ENGINE &gt;&gt; 000300 ZYLINDERKOPF / CYLINDER HEAD

Update Date : 2017/08/25 Print Date : 2022/02/23

No.	Part Number	Part Name (POL)	Part Name (ENG)	QTY	IC	Serial No./PIN	Kg	Remarks
010	15221-01750	MOTORHAKE N	HOOK ENGINE	2			0.040	
020	01123-60816	BOLZEN	BOLT	2			0.010	
030	1E051-03040	KOMP.ZYLIN DERKOPF	COMP.CYLIN DER HEAD	1		<=2Y8991	6.700	
030	1G008-03040	KOMP.ZYLIN DERKOPF	COMP.CYLIN DER HEAD	1	NI	=>3A0001	6.100	
040	15321-96260	KAPPE	CAP SEALING	1			0.014	
050	15261-03370	STOEPSELA BDICHTUNG	CAP SEALING	2			0.005	
060	15261-96010	STOPFEN	PLUG	1			0.002	
070	15841-13540	EINLASSVEN TILFUEHRUN G	GUIDE INLET VALVE	3			0.014	
080	15841-13560	AUSLASSVEN TILFUEHRUN G	GUIDE EXHAUST VALVE	3			0.014	
090	15841-96020	STOPFEN	PLUG	1			0.020	
100	14601-03450	ZYLINDERKO PFSCHRAUB E	BOLT CYLINDER HEAD	14			0.035	
110	16871-03310	ZYLINDERKO PFDICHTUNG	GASKET CYLINDER HEAD	1			0.083	

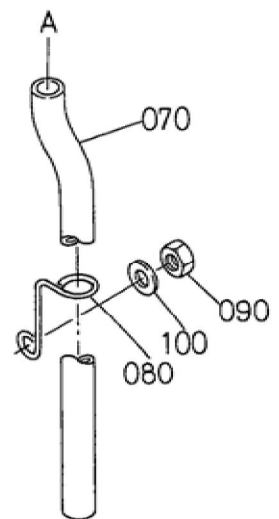
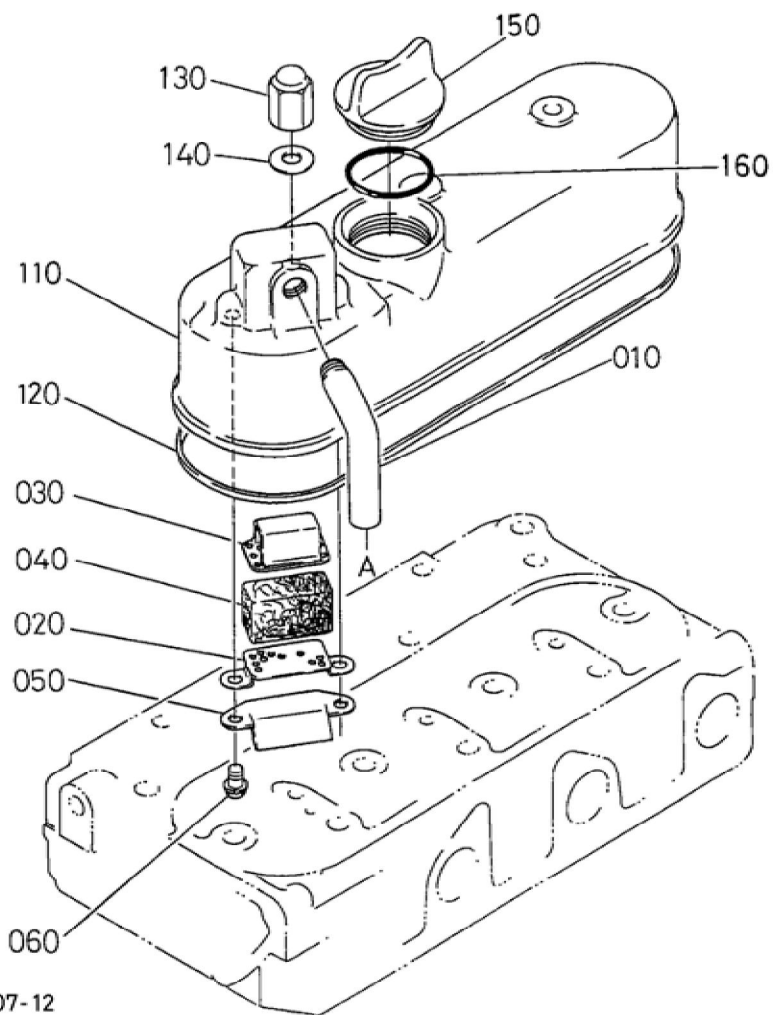




## BKIDA0177 &gt;&gt; U-15 &gt;&gt; MOTOR / ENGINE &gt;&gt; 000400 GETRIEBE GEHAEUSE / GEAR CASE

Update Date : 2017/08/25 Print Date : 2022/02/23

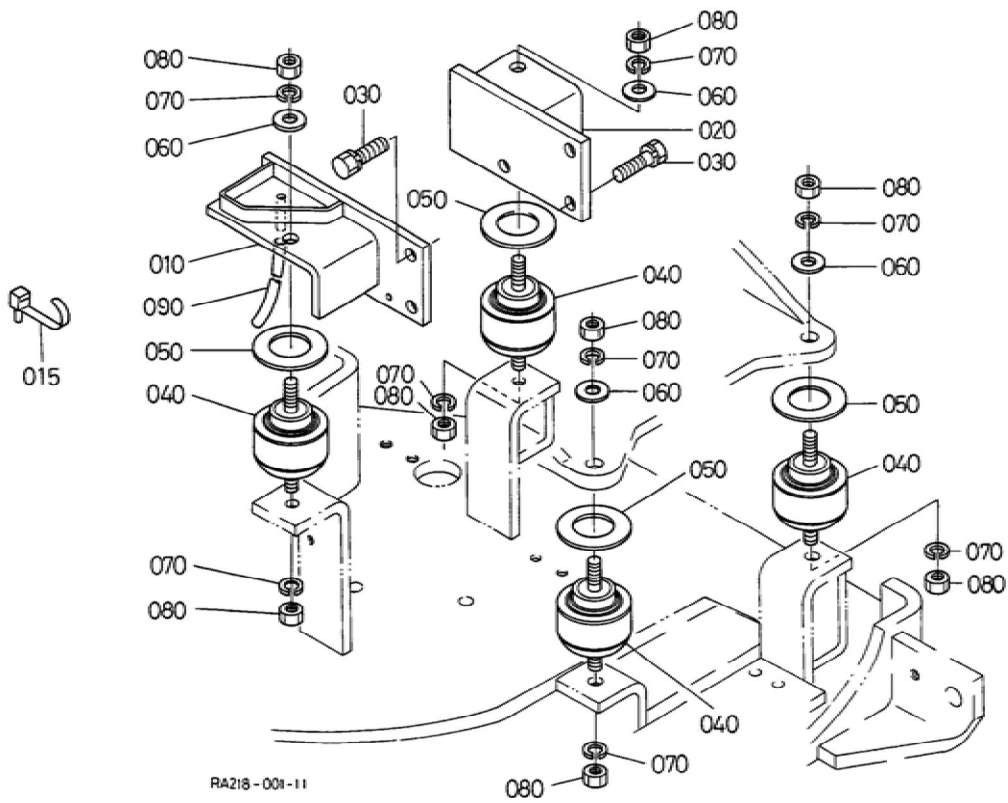
No.	Part Number	Part Name (POL)	Part Name (ENG)	QTY	IC	Serial No./PIN	Kg	Remarks
010	19069-04024	KMP.GETRIEBE GEHAEUSE	COMP.CASE GEAR	1			1.500	
020	16851-96010	STOPFEN	PLUG	2		<=4F1505	0.015	
020	15521-96030	STOPFEN	PLUG	2	NI	=>4G0001	0.007	
030	15841-56280	STARTFEDER STIFT	PIN START SPRING	1			0.005	
040	15241-32290	VERBINDUNG SSTUECK	JOINT PIPE	1			0.053	
050	15841-94010	SCHEIBE	WASHER PLAIN	1			0.003	
060	16851-36950	FEDER	SPRING	1			0.020	
070	15841-36930	SITZ,VENTIL	SEAT VALVE	1			0.003	
080	07715-03211	KUGEL	BALL	1			0.003	
100	15862-04132	DICHTUNG	GASKET GEAR CASE NA	1			0.007	
110	01023-50618	BOLZEN	BOLT	1			0.006	
120	01023-60650	BOLZEN	BOLT	10			0.015	
130	15841-91010	BOLZEN	BOLT	3			0.014	
140	01023-60670	BOLZEN	BOLT	1			0.015	
150	01023-50675	BOLZEN	BOLT	1			0.010	
160	04814-06130	O RING	O RING	3			0.001	
170	15877-04140	OELDICHTUN GSRING	SEAL OIL	1			0.011	
180	19461-83340	DECKEL	COVER	1			0.080	
190	19461-88132	DICHTUNG	GASKET H/M GEAR CASE	1			0.002	
200	15221-88210	STEBBOLZEN	STUD	3			0.005	
210	02056-50060	MUTTER	NUT	3			0.002	
220	04512-60060	FEDERRING	WASHER SPRING	3			0.001	
230	15841-32430	OELFILTERP ATRONE	CARTRIDGE OIL FILTER	1			0.310	
230	HH152-32432	OELFILTERP ATRONE	CARTRIDGE OIL FILTER	1	>>		0.300	



## BKIDA0177 &gt;&gt; U-15 &gt;&gt; MOTOR / ENGINE &gt;&gt; 000500 VENTILDECKEL / HEAD COVER

Update Date : 2017/08/25 Print Date : 2022/02/23

No.	Part Number	Part Name (POL)	Part Name (ENG)	QTY	IC	Serial No./PIN	Kg	Remarks
010	15841-05550	ROHR	JOINT (BREATH ER PIPE)	1			0.025	
020	15841-05140	PLATTE,ELE MENT	PLATE,B/THE R ELEMENT	1			0.005	
030	15841-05150	PLATTE,ELE MENT	PLATE,B/THE R ELEMENT	1			0.005	
040	15841-05670	ENTLUEFTUN GSELEMENT	ELEMENT,BR EATHER	1			0.010	
050	15841-05370	OELSCHILD,E NTLUEFTER	OIL SHIELD,BREA THER	1			0.003	
060	16861-93310	SCHRAUBE	SCREW	2			0.001	
070	15841-05510	ENTLUEFTUN GSROHR	PIPE,BREATH ER	1			0.040	
080	15841-05590	ROHRKLEMM E	CLAMP,PIPE	1			0.005	
090	02114-50080	MUTTER	HEX.NUT	1			0.005	
100	04013-50080	SCHEIBE	WASHER,PLA IN	1			0.003	
110	16861-14513	VENTILDECK EL	COVER,HEAD ,ASSY (CYLINDER)	1			0.380	
120	16861-14522	VENTILDECK ELDICHTUNG	GASKET,HEA D COVER	1		<=3U9615	0.020	
120	16871-14520	VENTILDECK ELDICHTUNG	GASKET,HEA D COVER	1	NI	>=3W0001	0.001	
130	15841-14620	MUTTER	NUT	3			0.006	
140	15601-96650	DICHTUNGSP LATTE	PACKING	3			0.001	
150	15852-33141	OEEINFUEL LSSTOPFEN	PLUG,OIL FILLER	1		<=2J7251	0.000	
150	E9151-33140	OEEINFUEL LSTOPFEN	PLUG(OIL FILLER)	1	=	>=2L0001	0.017	

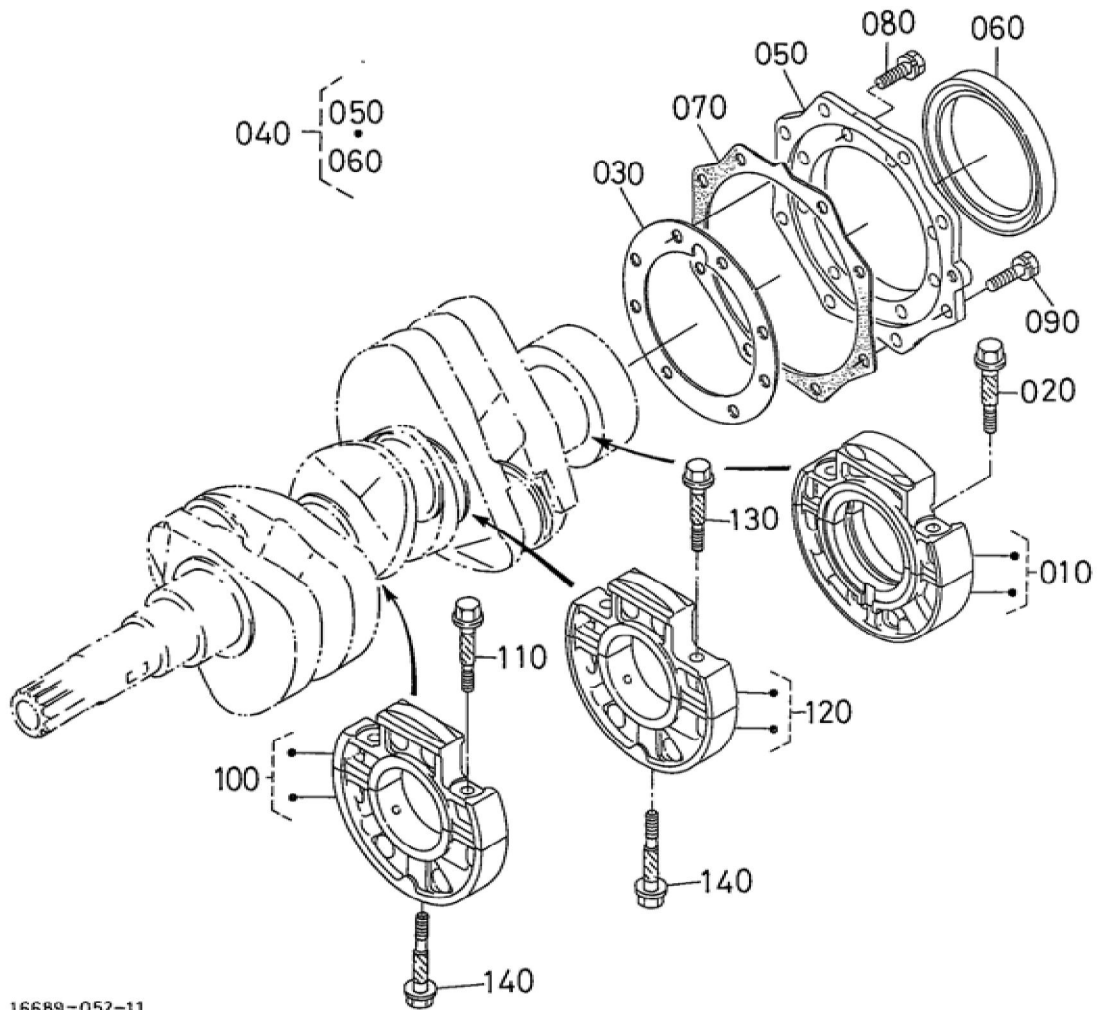


## BKIDA0177 &gt;&gt; U-15 &gt;&gt; MOTOR / ENGINE &gt;&gt; 003000 MOTOR TRAEGER / ENGINE BRACKET

Update Date : 2017/08/25 Print Date : 2022/02/23

No.	Part Number	Part Name (POL)	Part Name (ENG)	QTY	IC	Serial No./PIN	Kg	Remarks
010	RA211-42220	TRAEGER,M OTOR	BRACKET ENGINE	1		<=11394	1.450	
010	RA211-42224	TRAEGER,M OTOR	BRACKET ENGINE	1	>>	=>11395	1.430	
015	RP421-54110	KLAMMER	CLAMP	1		=>11395	0.002	
020	RA211-42230	TRAEGER,M OTOR	BRACKET ENGINE	1			1.050	
030	01133-61025	SCHRAUBE	BOLT	6			0.020	
040	RA211-42160	GUMMIPUFF ER	CUSHION RUBBER	4			0.370	
050	RC101-42170	DECKEL	COVER RUBBER SEAT	4			0.004	
060	04013-60100	SCHEIBE	WASHER PLAIN	4			0.003	
070	04512-60100	FEDERRING	WASHER SPRING	8			0.002	
080	02118-60100	MUTTER	NUT	8			0.006	
090	09664-70480	KRAFTSTOFF ROHR	TUBE FUEL	1			0.040	

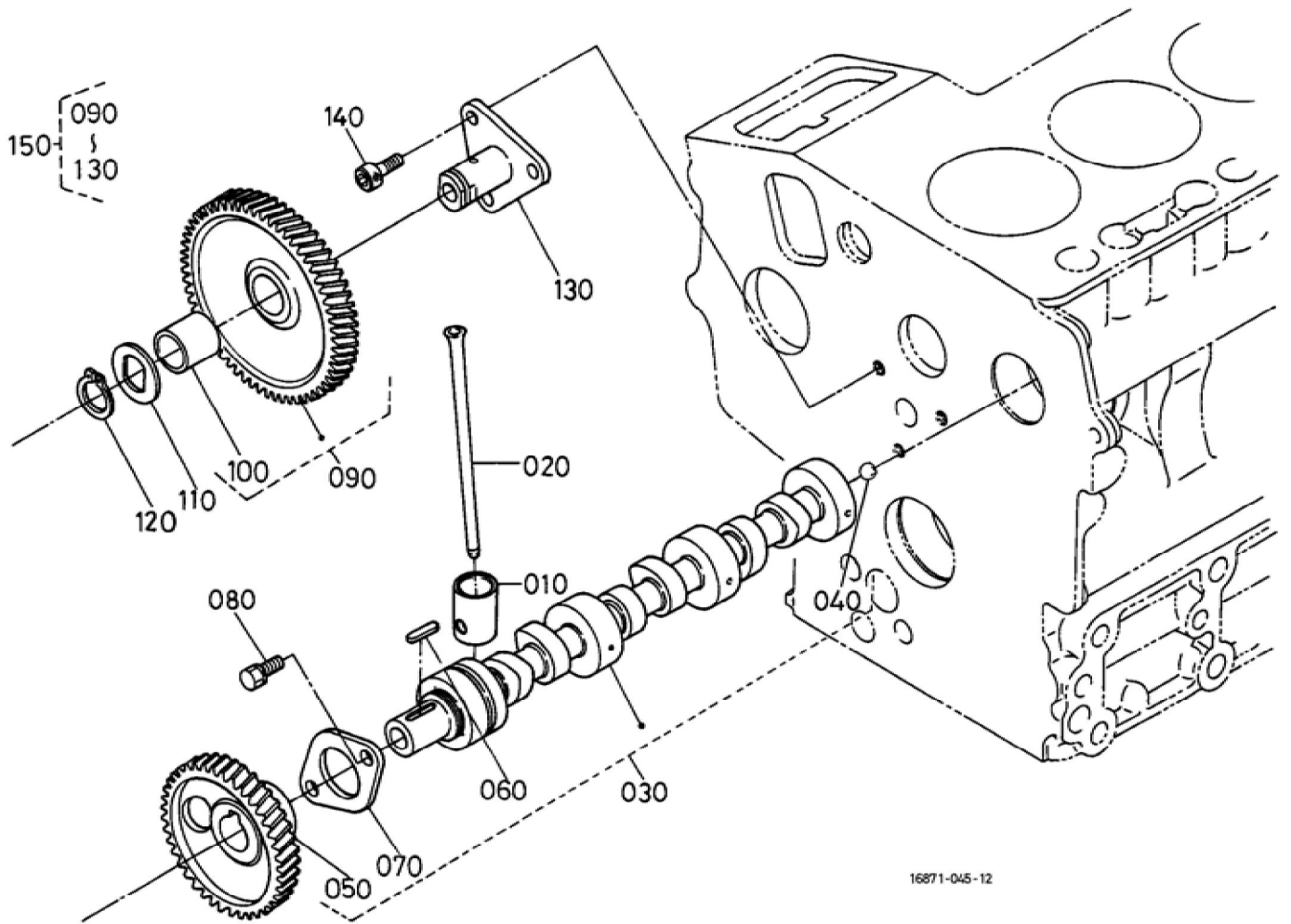
Update Date : 2017/08/25 Print Date : 2022/02/23



Update Date : 2017/08/25 Print Date : 2022/02/23

No.	Part Number	Part Name (POL)	Part Name (ENG)	QTY	IC	Serial No./PIN	Kg	Remarks
010	16851-04092	GRP.LAGERG EHAEUSE	ASSY CASE MAIN BRG.	1			0.710	
020	15841-04540	BOLZEN,LAG ERKASTEN	BOLT BEARING CASE	2			0.012	
030	15852-04360	DICHTUNG,L AGER	GASKET BEARING CASE	1			0.005	
040	15841-04800	LAGERKASTE NDECKEL	ASSY COVER BRG.CASE	1			0.177	
050	15841-04810	DECKEL,LAG ERKASTEN	COVER BEARING CASE	1			0.160	
060	19215-99160	OELDICHTUN GSRING	SEAL OIL	1			0.025	
070	15841-04822	DICHTUNGSP LATTE	GASKET	1			0.004	
080	01023-50620	BOLZEN	BOLT	8			0.006	
090	01023-50622	BOLZEN	BOLT	8			0.005	
100	16851-04040	GRP.LAGERG EHAEUSE	ASSY CASE MAIN BRG.	1			0.580	
110	15841-04540	BOLZEN,LAG ERKASTEN	BOLT BEARING CASE	2			0.012	
120	16861-04050	GRP.LAGERG EHAEUSE	ASSY CASE MAIN BRG.	1			0.580	
130	15841-04540	BOLZEN,LAG ERKASTEN	BOLT BEARING CASE	2			0.012	
140	15841-04562	BOLZEN,LAG ERKASTEN	BOLT BEARING CASE	2			0.020	

Update Date : 2017/08/25 Print Date : 2022/02/23







**Download the full PDF manual instantly.**

**Our customer service e-mail:**

**[aservicemanualpdf@yahoo.com](mailto:aservicemanualpdf@yahoo.com)**