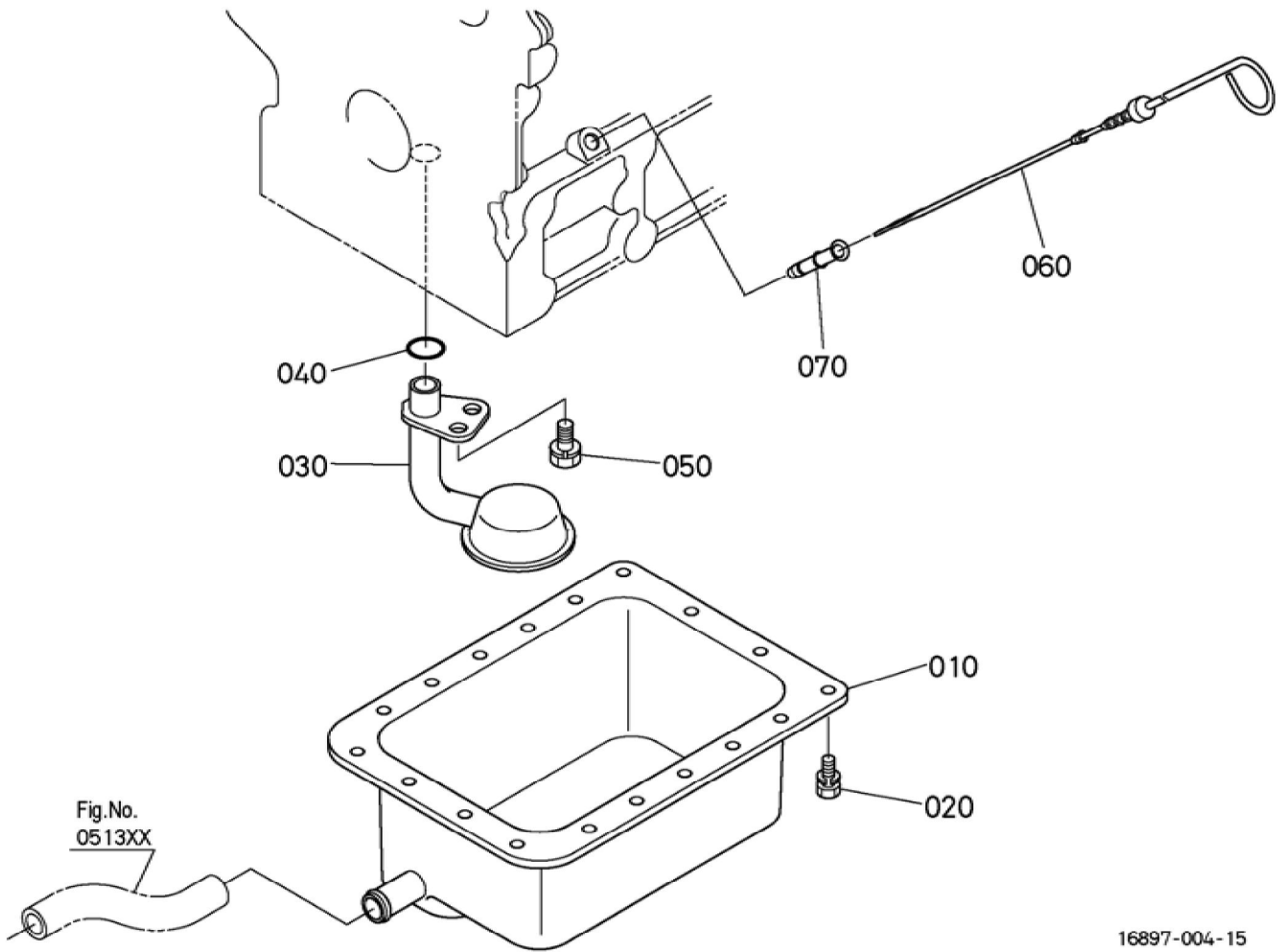


BKIDA5164 >> U10-3(S/N;70001-) >> MOTOR / ENGINE >> 000100 KURBELGHAEUSE / CRANKCASE

Update Date : 2020/05/07 Print Date : 2022/02/22

No.	Part Number	Part Name (POL)	Part Name (ENG)	QTY	IC	Serial No./PIN	Kg	Remarks
010	16896-01022	KOMP.KURBELGEHAEUSE	CRANKCASE, COMP	1			28.000	
020	16851-96260	KAPPE	CAP,SEALING	3			0.005	
030	16851-96270	KAPPE	CAP,SEALING	5			0.005	
040	15451-96270	KAPPE	CAP,SEALING	2			0.010	
050	15261-96010	STOPFEN	PLUG	5			0.002	
060	15521-96020	STOPFEN	PLUG	3			0.003	
070	15521-96030	STOPFEN	PLUG	1			0.007	
080	15261-96160	STOPFEN	PLUG,EXPANSION	1			0.020	
090	05012-00508	ZYLINDERSTIFT	PIN,STRAIGHT	2			0.001	
100	05012-00814	ZYLINDERSTIFT	PIN,STRAIGHT	2			0.006	
110	15221-33650	ROHRSTIFT	PIN,PIPE	1			0.004	
120	17331-59190	ROHRSTIFT	PIN,PIPE	2			0.002	
130	17331-59190	ROHRSTIFT	PIN,PIPE	2			0.002	
140	1A024-39010	OELDRUCKSCHALTER	SWITCH(OIL)	1			0.035	
160	15321-73340	WASSERROHR	PIPE(WATER RETURN)	1			0.016	
170	16851-35012	GRP.OELPUMPE	PUMP,ASSY (OIL)	1			0.240	
180	16851-35152	DICHTUNG,OELPUMPE	GASKET,OIL PUMP NA	1			0.001	
190	15841-91050	BOLZEN	BOLT	3			0.010	
200	1G687-35662	ZAHNRAD	GEAR(OIL PUMP DRIVE)	1			0.070	
210	05712-00408	KEIL	KEY,FEATHER	1			0.001	
220	02771-50100	MUTTER	NUT,FLANGE	1			0.005	

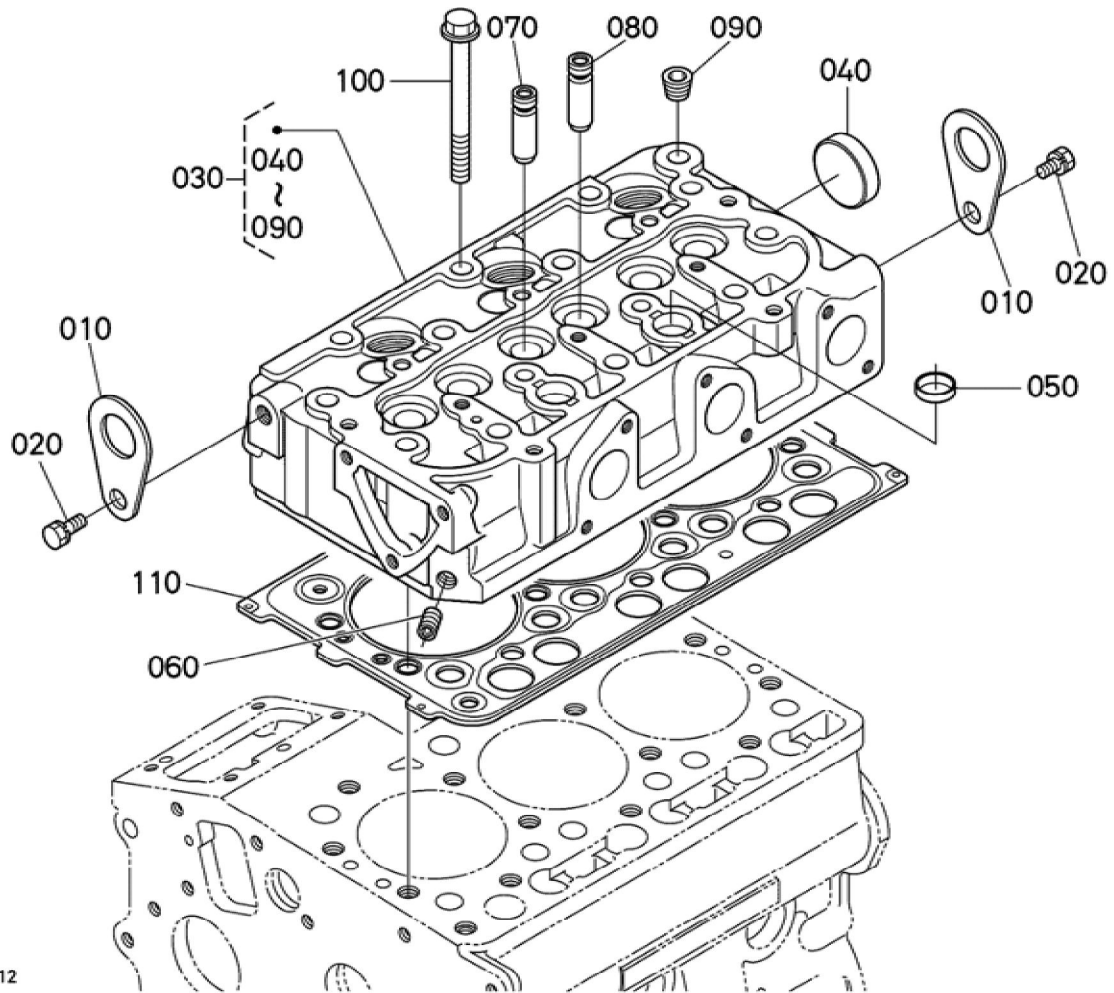


BKIDA5164 >> U10-3(S/N;70001-) >> MOTOR / ENGINE >> 000200 OELWANNE / OIL PAN

Update Date : 2020/05/07 Print Date : 2022/02/22

No.	Part Number	Part Name (POL)	Part Name (ENG)	QTY	IC	Serial No./PIN	Kg	Remarks
010	16897-01502	KOMP.OELW ANNE	COMP.OIL PAN	1			0.770	
020	01023-50612	BOLZEN	BOLT,SEMS	18			0.005	
030	15857-32113	OELFILTER	FILTER(OIL)	1			0.120	
040	04814-00160	O RING	O RING	1			0.001	
050	01123-50814	BOLZEN	BOLT,SEMS	1			0.010	
060	1K177-36410	OELMESSST AB	GAUGE,OIL	1			0.040	
070	17456-36420	FUEHRUNG, OELMESSST AB	GUIDE (GAUGE,OIL)	1			0.030	

Update Date : 2020/05/07 Print Date : 2022/02/22

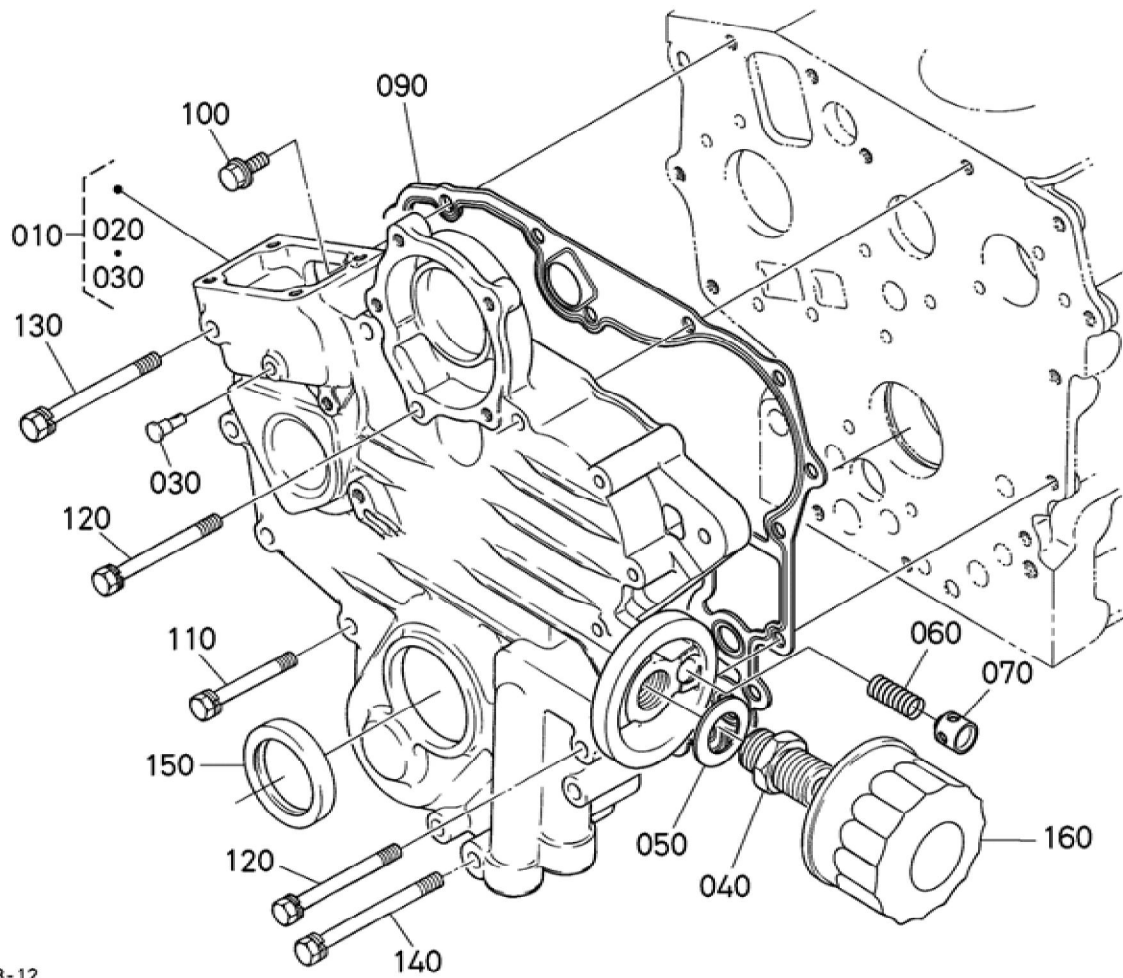


BKIDA5164 >> U10-3(S/N;70001-) >> MOTOR / ENGINE >> 000300 ZYLINDERKOPF / CYLINDER HEAD

Update Date : 2020/05/07 Print Date : 2022/02/22

No.	Part Number	Part Name (POL)	Part Name (ENG)	QTY	IC	Serial No./PIN	Kg	Remarks
010	15221-01750	MOTORHAKEN	HOOK,ENGINE	2			0.040	
020	01123-50816	SCHRAUBE	BOLT,SEMS	2			0.011	
030	1A305-03040	KOMP.ZYLINDERKOPF	HEAD,CYLINDER,COMP	1			7.000	
040	15321-96260	KAPPE	CAP,SEALING	1			0.014	
050	15261-03370	STOEPSEL,ABDICHTUNG	CAP,SEALING	2			0.005	
060	15261-96010	STOPFEN	PLUG	1			0.002	
070	15841-13540	EINLASSVENTILFUEHRUNG	GUIDE,VALVE (INLET)	3			0.014	
080	15841-13560	AUSLASSVENTILFUEHRUNG	GUIDE (EXHAUST VALVE)	3			0.014	
090	15841-96020	STOPFEN	PLUG	1			0.020	
100	14601-03450	ZYLINDERKOPFSCHRAUBE	BOLT,HEAD (CYLINDER)	14			0.035	
110	1J092-03310	ZYLINDERKOPFDICHTUNG	GASKET (CYL.HEAD)	1			0.135	

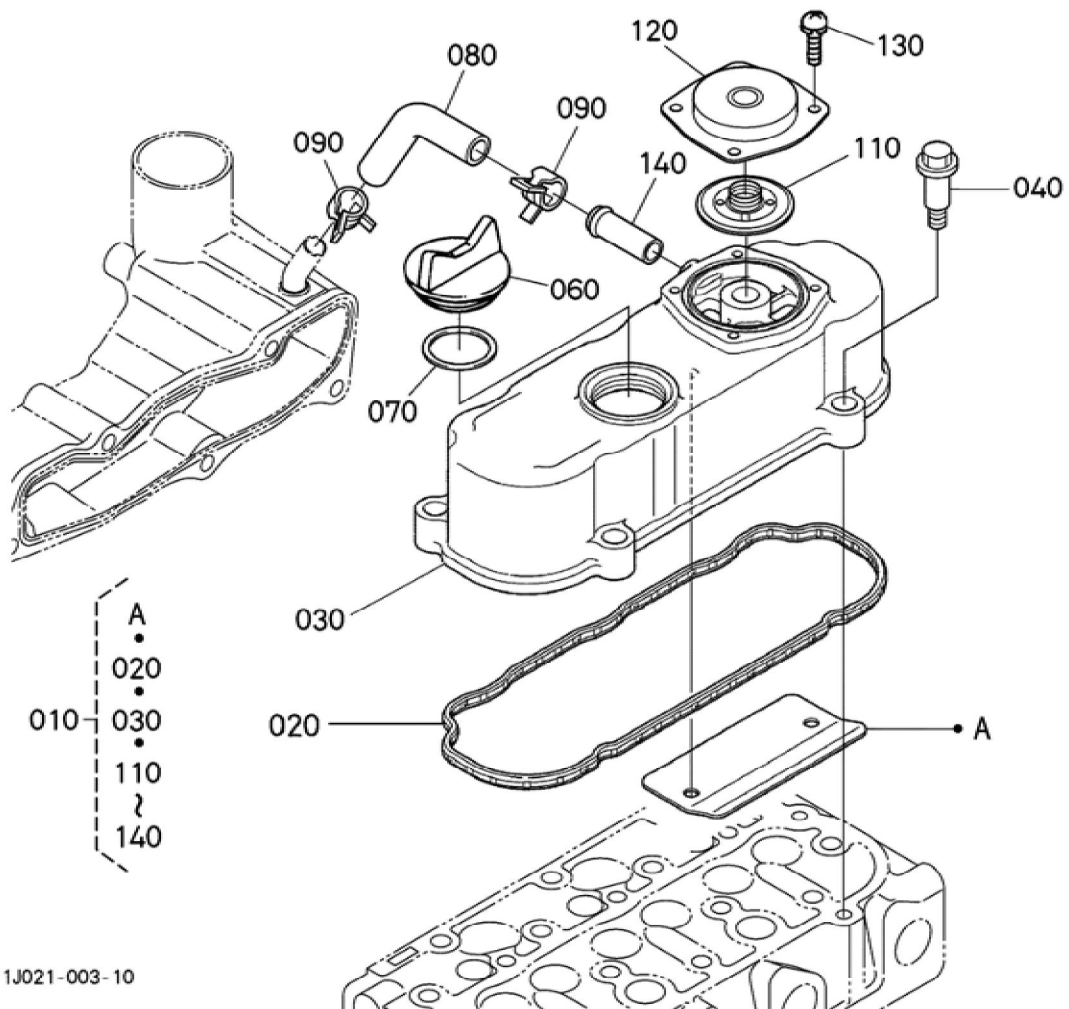
Update Date : 2020/05/07 Print Date : 2022/02/22



Update Date : 2020/05/07 Print Date : 2022/02/22

No.	Part Number	Part Name (POL)	Part Name (ENG)	QTY	IC	Serial No./PIN	Kg	Remarks
010	1E009-04025	KMP.GETRIEBE GEHAEUSE	COMP.CASE, GEAR	1			1.500	
020	15521-96030	STOPFEN	PLUG	2			0.007	
030	15841-56280	STARTFEDER STIFT	PIN(START SPRING)	1			0.005	
040	15241-32290	VERBINDUNG SSTUECK	JOINT,PIPE	1			0.053	
050	15841-94010	SCHEIBE	WASHER,PLAIN	1			0.003	
060	1J092-36950	FEDER	SPRING	1			0.004	
070	1J050-36930	UEBERLAUFV ENTIL	VALVE (RELIEF)	1			0.005	
090	16851-04130	DICHTUNG	GASKET,GEAR CASE	1			0.022	
100	01754-50616	SCHRAUBE	BOLT,FLANGE	1			0.006	
110	01023-50650	BOLZEN	BOLT,SEMS	10			0.012	
120	15841-91010	BOLZEN	BOLT	3			0.014	
130	01023-50670	BOLZEN	BOLT,SEMS	1			0.015	
140	01023-50675	BOLZEN	BOLT,SEMS	1			0.010	
150	1J094-04140	OELDICHTUNG GSRING	SEAL,OIL	1			0.013	
160	HH152-32432	OELFILTERP ATRONE	CARTRIDGE, OIL FILTER	1			0.300	

Update Date : 2020/05/07 Print Date : 2022/02/22



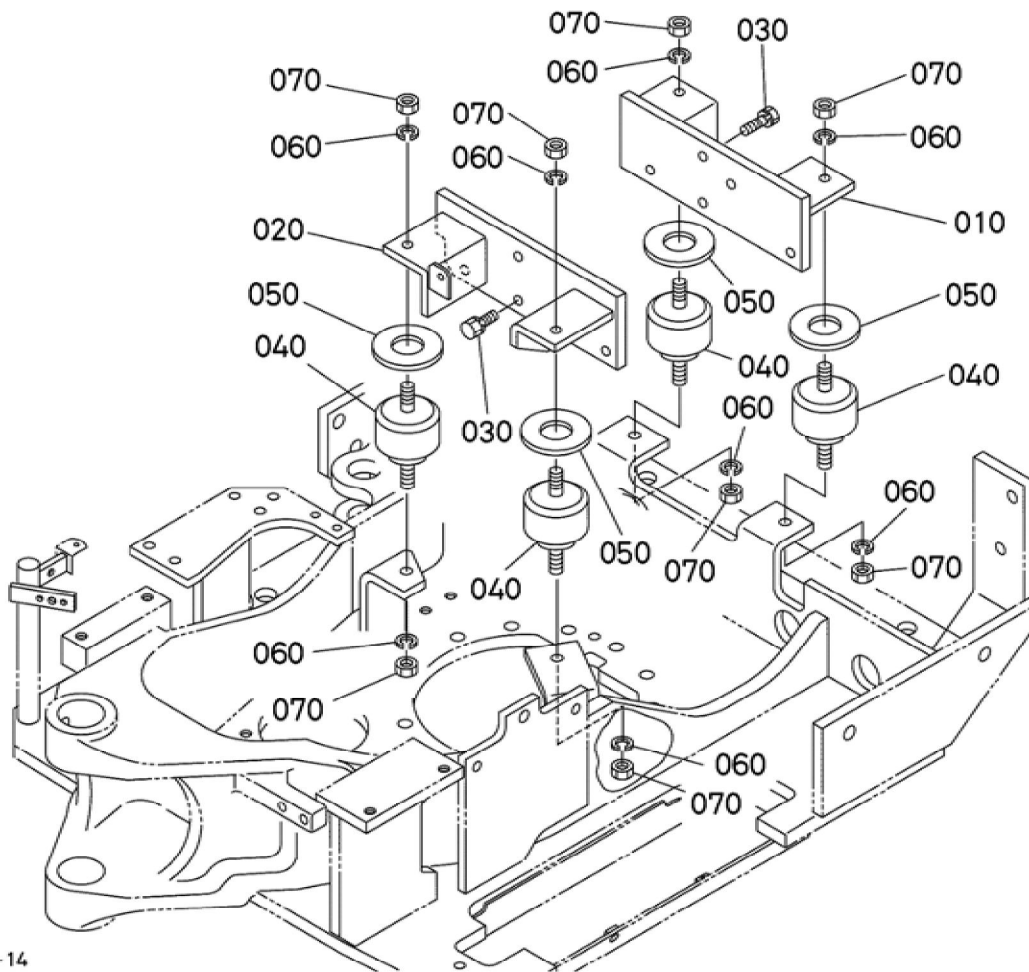
1J021-003-10

BKIDA5164 >> U10-3(S/N;70001-) >> MOTOR / ENGINE >> 000500 DECKEL OBEN / HEAD COVER

Update Date : 2020/05/07 Print Date : 2022/02/22

No.	Part Number	Part Name (POL)	Part Name (ENG)	QTY	IC	Serial No./PIN	Kg	Remarks
010	1G958-14504	VENTILDECKEL	COVER,CYL.HEAD	1			0.600	
020	1G958-14520	VENTILDECKELDICHUNG	GASKET,HEAD COVER	1			0.009	
030	1G958-14512	VENTILDECKEL	COVER,CYL.HEAD	1			0.510	
040	1G911-91022	BOLZEN	BOLT	4			0.015	
060	E9151-33140	OELEINFUELLSTOPFEN	PLUG(OIL FILLER)	1			0.017	
070	1J001-96770	O RING	O RING	1			0.001	
080	1G960-05514	ROHR	TUBE (BREATHER)	1			0.008	
090	09318-88125	SCHLAUCHSCHELLE	CLAMP,HOSE	2			0.001	
110	1G911-05203	ENTLUEFTER	COMP VALVE,BREATHER	1			0.010	
120	1G801-05120	ENTLUEFTERDECKEL	COVER,BREATHER	1			0.035	
130	03024-50510	SCHRAUBE	SCREW,SEMS(PAN HEAD)	4			0.002	
140	16241-73370	ROHR	PIPE,WATER RETURN	1			0.007	

Update Date : 2020/05/07 Print Date : 2022/02/22

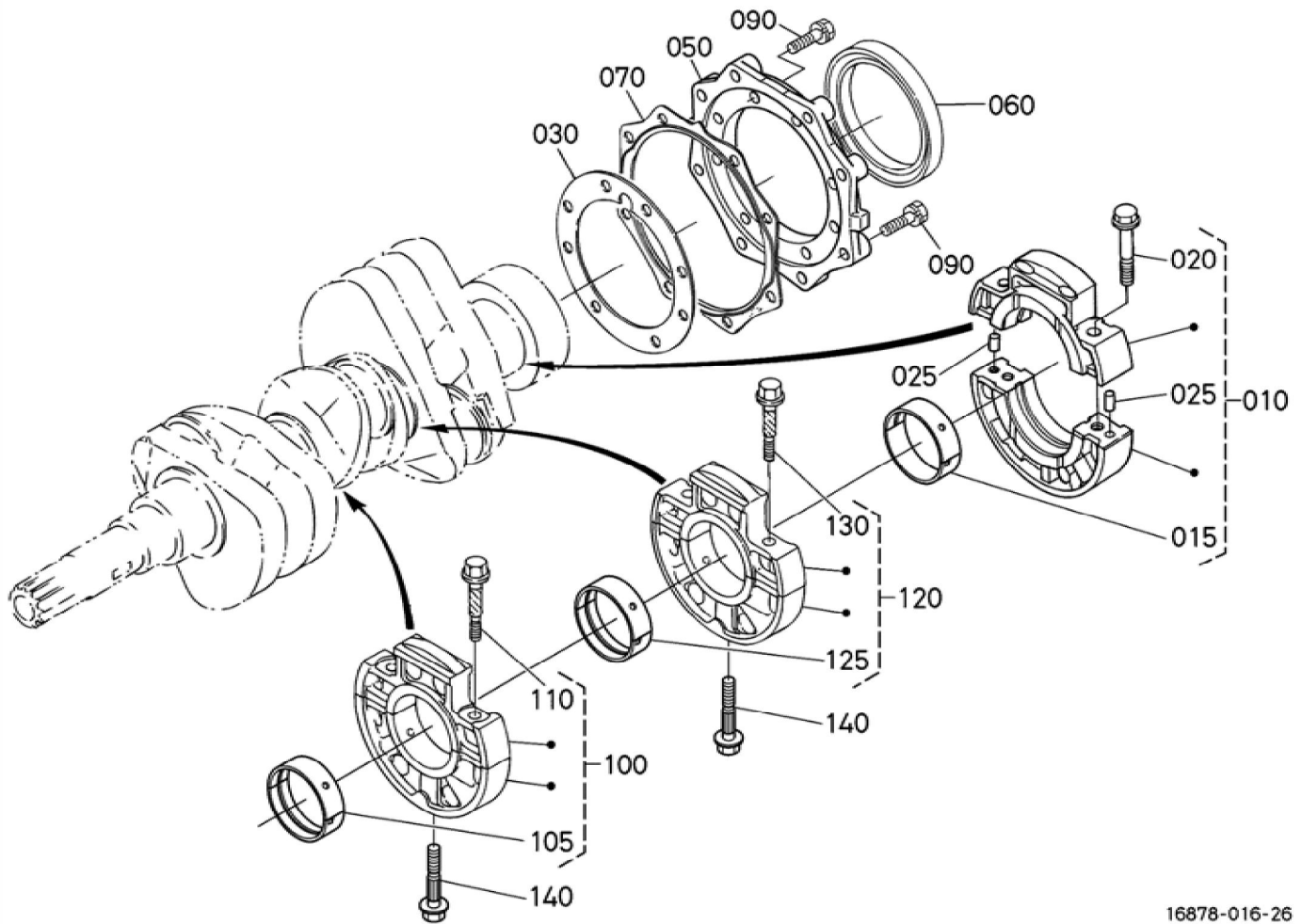


RA021-001-14

Update Date : 2020/05/07 Print Date : 2022/02/22

No.	Part Number	Part Name (POL)	Part Name (ENG)	QTY	IC	Serial No./PIN	Kg	Remarks
010	RA021-42113	TRAEGER,MOTOR	BRACKET,ENGINE	1			1.800	
020	RA139-42120	HALTER	BRACKET	1			1.804	
030	01133-51025	SCHRAUBE	BOLT,SEMS	8			0.023	
040	69191-42160	GUMMIPUFFER	CUSHION,RUBBER	4			0.370	
050	RC101-42170	DECKEL	COVER	4			0.004	
060	04512-50100	FEDERRING	WASHER,SPRING LOCK	8			0.003	
070	02118-50100	MUTTER	HEX.NUT	8			0.005	

Update Date : 2020/05/07 Print Date : 2022/02/22



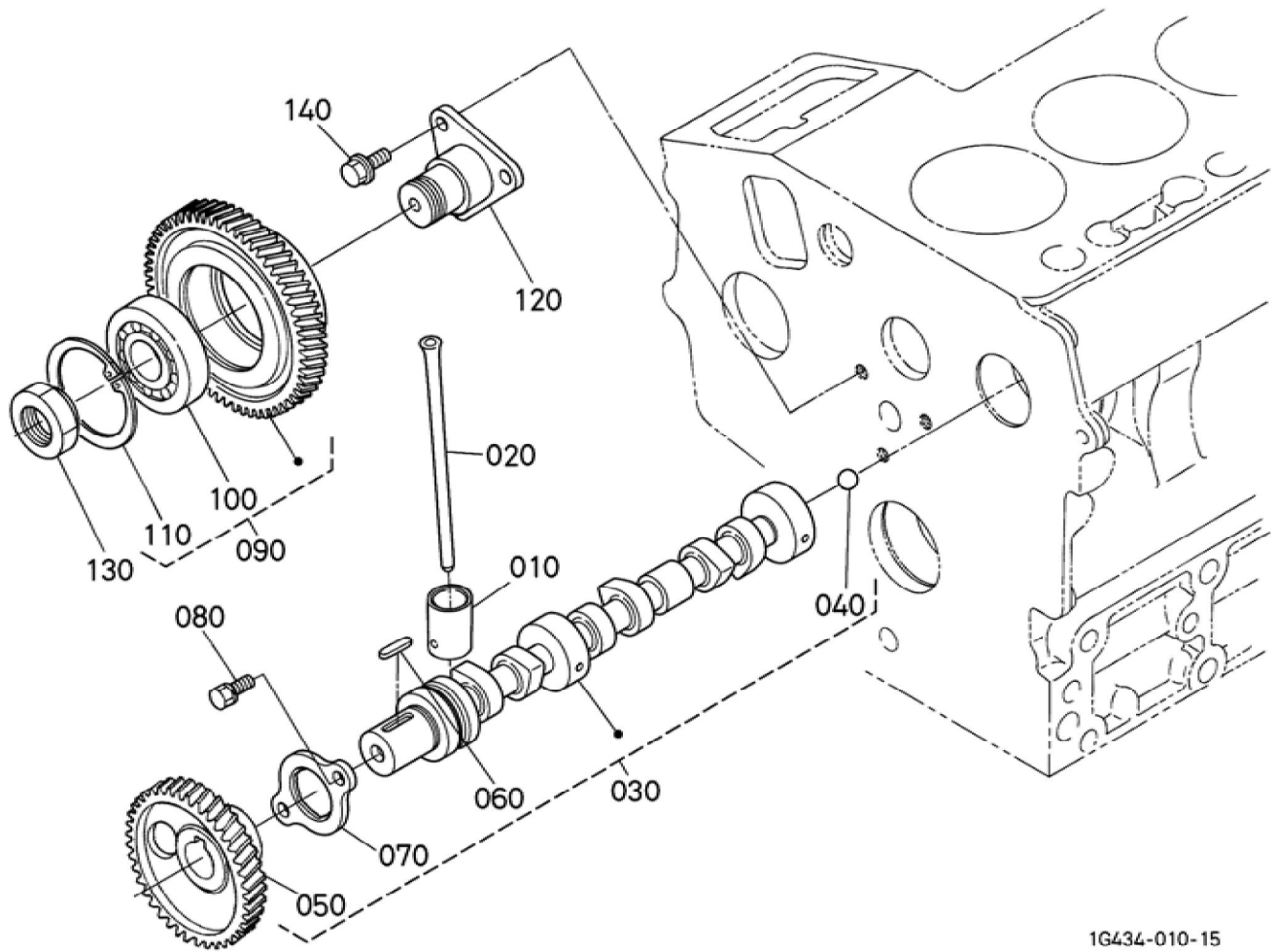
Update Date : 2020/05/07 Print Date : 2022/02/22

No.	Part Number	Part Name (POL)	Part Name (ENG)	QTY	IC	Serial No./PIN	Kg	Remarks
010	1J002-07090	GRP.LAGERGEHAEUSE	BRG.CASE,FULL ASSY (W,MAIN)	1			0.335	
015	1G460-23823	LAGERSCHAULE	METAL,ASSY (2,CRANKSHAFT)	1			0.040	STD/SET
015	1G460-23933	LAGERSCHAULE	METAL,ASSY,CRANKSHAFT)	1			0.040	-0.20mm/SET
015	1G460-23953	LAGERSCHAULE	METAL,ASSY (2-04,CRANKSHAFT)	1			0.040	-0.40mm SET
020	01754-50840	SCHRAUBE	BOLT,FLANGE	2			0.020	
025	05012-00608	ZYLINDERSTIFT	PIN,STRAIGHT	2			0.002	
030	15852-04360	DICHTUNG,LAGER	GASKET,BEARING CASE	1			0.005	
050	15841-04815	DECKEL,LAGERKASTEN	COVER,BEARING CASE	1			0.160	
060	1G460-04460	OELDICHTUNGSRING	SEAL,OIL	1			0.032	
070	15841-04824	DICHTUNGGEHAEUSED EC	GASKET,CASE COVER	1			0.000	
090	01023-50622	BOLZEN	BOLT,SEMS	16			0.005	
100	12691-07044	GRP.LAGERGEHAEUSE	ASSY BRG CASE	1		<=4JMZ999	0.570	
100	12691-07045	LAGERGEHAEUSE,KOMP.	ASSY BRG CASE	1	>>	>=4JN0001	0.000	
105	15861-23484	LAGERSCHAULE	METAL,CRANKSHAFT	1			0.010	STD SET
105	15861-23863	LAGERSCHAULE	METAL,CRANKSHAFT	1			0.030	-0.20mm SET
105	15861-23873	LAGERSCHAULE	METAL,CRANKSHAFT	1			0.030	-0.40mm SET
110	15841-04540	BOLZEN	BOLT,BEARING CASE	2		<=4JMZ999	0.012	
110	15841-04543	BOLZEN	BOLT,BEARING CASE	2	>>	>=4JN0001	0.013	
120	16861-07054	GRP.LAGERGEHAEUSE	ASSY BRG CASE	1		<=4JMZ999	0.570	

Update Date : 2020/05/07 Print Date : 2022/02/22

No.	Part Number	Part Name (POL)	Part Name (ENG)	QTY	IC	Serial No./PIN	Kg	Remarks
120	16861-07055	LAGERGEHA EUSE,KOMP.	ASSY BRG CASE	1	>>	>=4JN0001	0.000	
125	15861-23484	LAGERSCHA LE	METAL,CRAN KSHAFT	1			0.010	STD SET
125	15861-23863	LAGERSCHA LE	METAL,CRAN KSHAFT	1			0.030	-0.20mm SET
125	15861-23873	LAGERSCHA LE	METAL,CRAN KSHAFT	1			0.030	-0.40mm SET
130	15841-04540	BOLZEN	BOLT,BEARIN G CASE	2		<=4JMZ999	0.012	
130	15841-04543	BOLZEN	BOLT,BEARIN G CASE	2	>>	>=4JN0001	0.013	
140	15841-04562	BOLZEN,LAG ERKASTEN	BOLT,BEARIN G CASE	2			0.020	

Update Date : 2020/05/07 Print Date : 2022/02/22



1G434-010-15



Download the full PDF manual instantly.

Our customer service e-mail:

aservicemanualpdf@yahoo.com