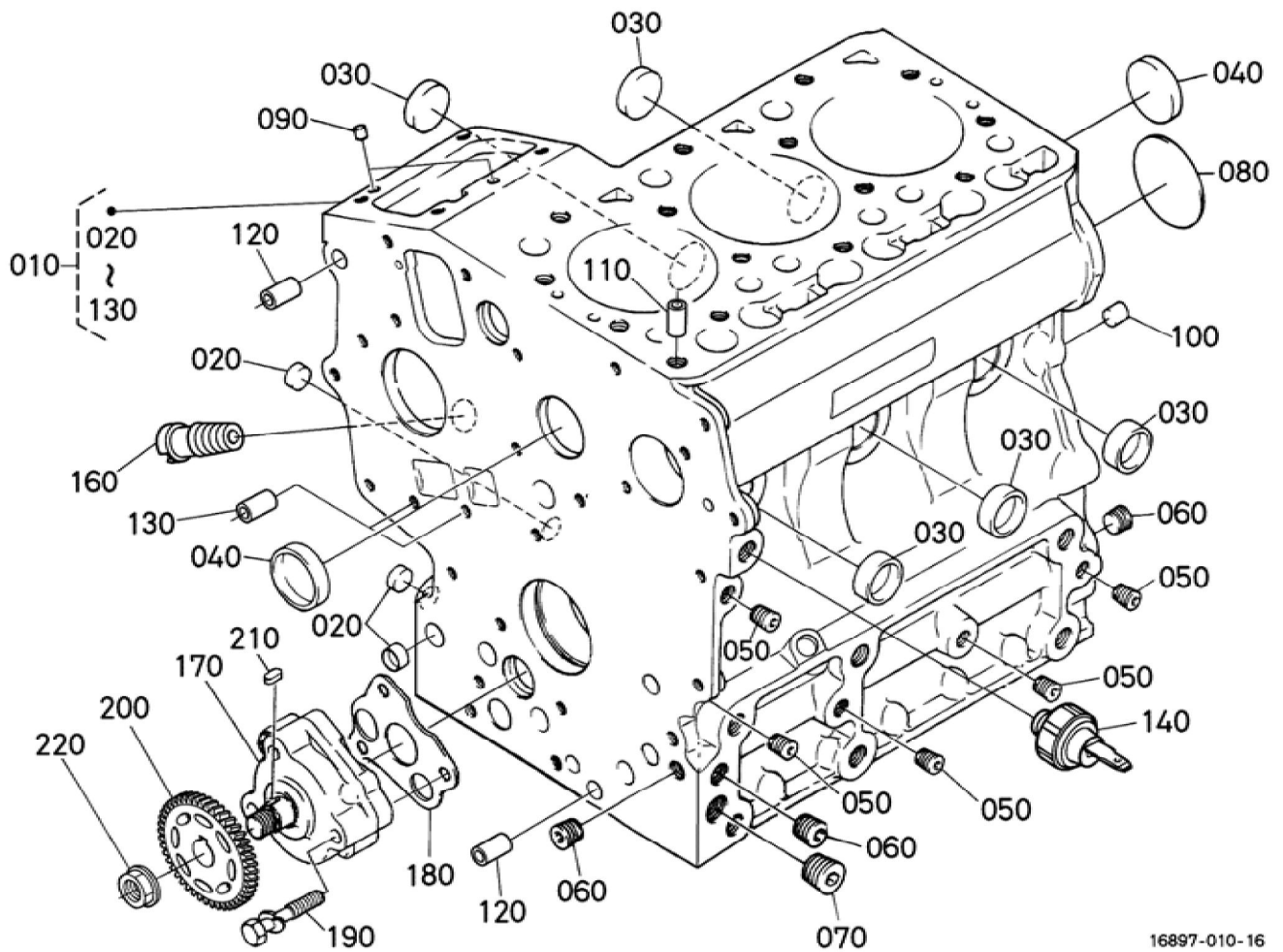


Update Date : 2019/01/10 Print Date : 2022/02/22



Update Date : 2019/01/10 Print Date : 2022/02/22

No.	Part Number	Part Name (POL)	Part Name (ENG)	QTY	IC	Serial No./PIN	Kg	Remarks
010	16896-01022	KOMP.KURBELGHAEUSE	CRANKCASE, COMP	1			28.000	
020	16851-96260	KAPPE	CAP,SEALING	3			0.005	
030	16851-96270	KAPPE	CAP,SEALING	5			0.005	
040	15451-96270	KAPPE	CAP,SEALING	2			0.010	
050	15261-96010	STOPFEN	PLUG	5			0.002	
060	15521-96020	STOPFEN	PLUG	3			0.003	
070	15521-96030	STOPFEN	PLUG	1			0.007	
080	15261-96160	STOPFEN	PLUG,EXPANSION	1			0.020	
090	05012-00508	ZYLINDERSTIFT	PIN,STRAIGHT	2			0.001	
100	05012-00814	ZYLINDERSTIFT	PIN,STRAIGHT	2			0.006	
110	15221-33650	ROHRSTIFT	PIN,PIPE	1			0.004	
120	17331-59190	ROHRSTIFT	PIN,PIPE	2			0.002	
130	17331-59190	ROHRSTIFT	PIN,PIPE	2			0.002	
140	1A024-39010	OELDRUCKSCHALTER	SWITCH(OIL)	1			0.035	
160	15321-73340	WASSERROHR	PIPE(WATER RETURN)	1			0.016	
170	16851-35012	GRP.OELPUMPE	PUMP,ASSY(OIL)	1			0.240	
180	16851-35152	DICHTUNG,OELPUMPE	GASKET,OIL PUMP NA	1			0.001	
190	15841-91050	BOLZEN	BOLT	3			0.010	
200	1G687-35662	ZAHNRAD	GEAR(OIL PUMP DRIVE)	1			0.070	
210	05712-00408	KEIL	KEY,FEATHER	1			0.001	
220	02771-50100	MUTTER	NUT,FLANGE	1			0.005	

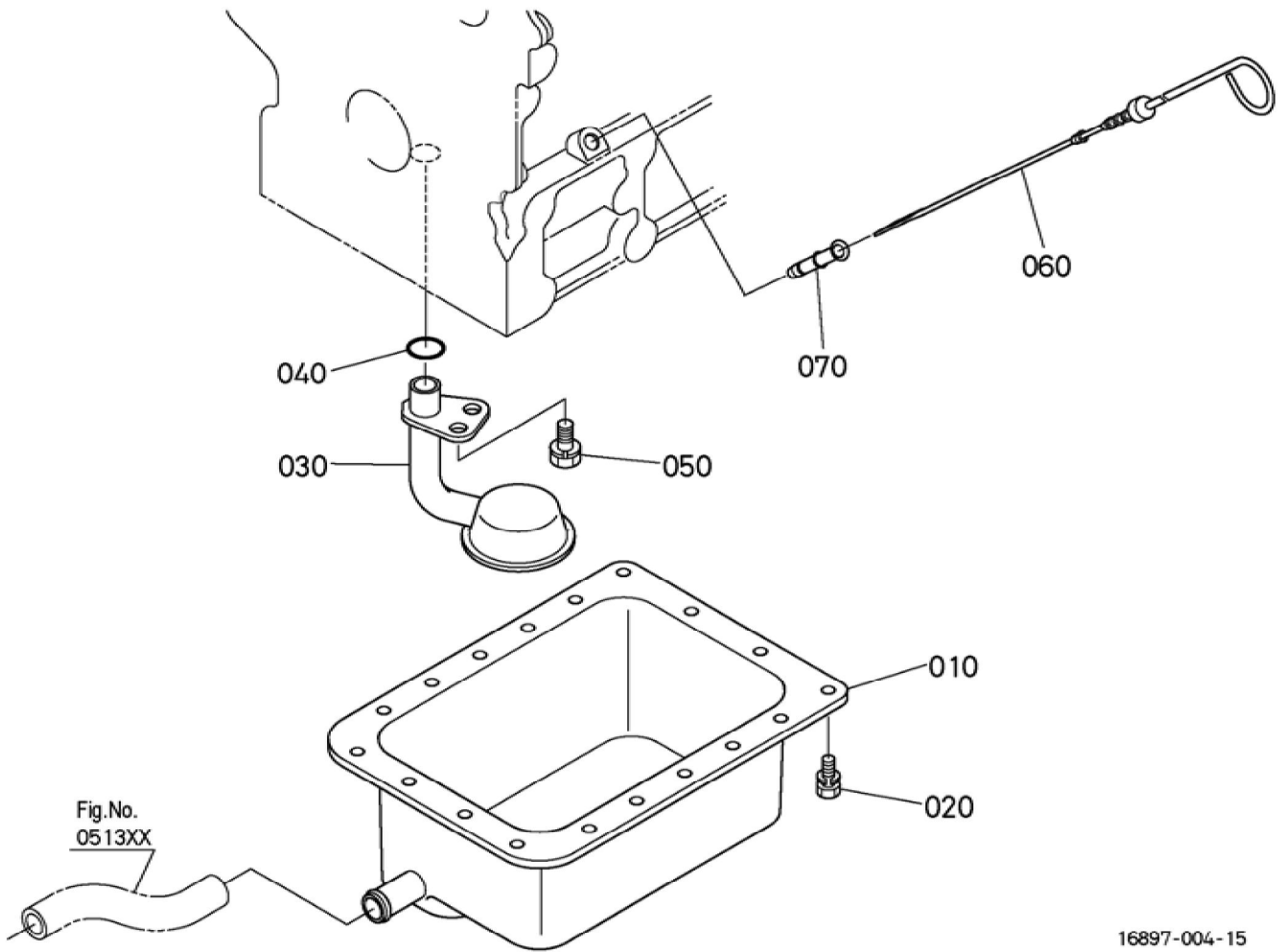


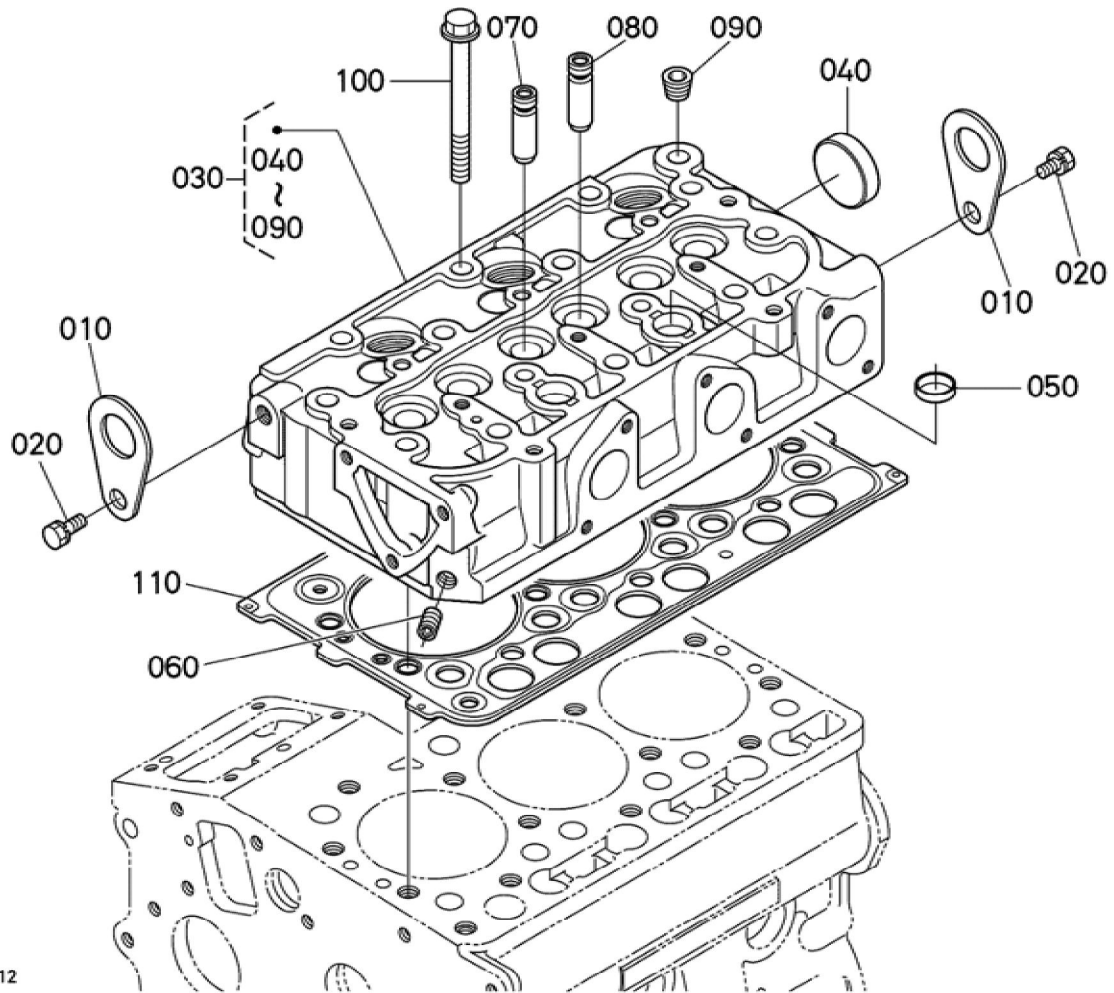
Fig.No.
0513XX

BKIDA5142 >> U10-3(S/N;50001-69999) >> MOTOR / ENGINE >> 000200 OELWANNE / OIL PAN

Update Date : 2019/01/10 Print Date : 2022/02/22

No.	Part Number	Part Name (POL)	Part Name (ENG)	QTY	IC	Serial No./PIN	Kg	Remarks
010	16897-01502	KOMP.OELW ANNE	COMP.OIL PAN	1			0.770	
020	01023-50612	BOLZEN	BOLT,SEMS	18			0.005	
030	15857-32113	OELFILTER	FILTER(OIL)	1			0.120	
040	04814-00160	O RING	O RING	1			0.001	
050	01123-50814	BOLZEN	BOLT,SEMS	1			0.010	
060	1K177-36410	OELMESSST AB	GAUGE,OIL	1			0.040	
070	17456-36420	FUEHRUNG, OELMESSST AB	GUIDE (GAUGE,OIL)	1			0.030	

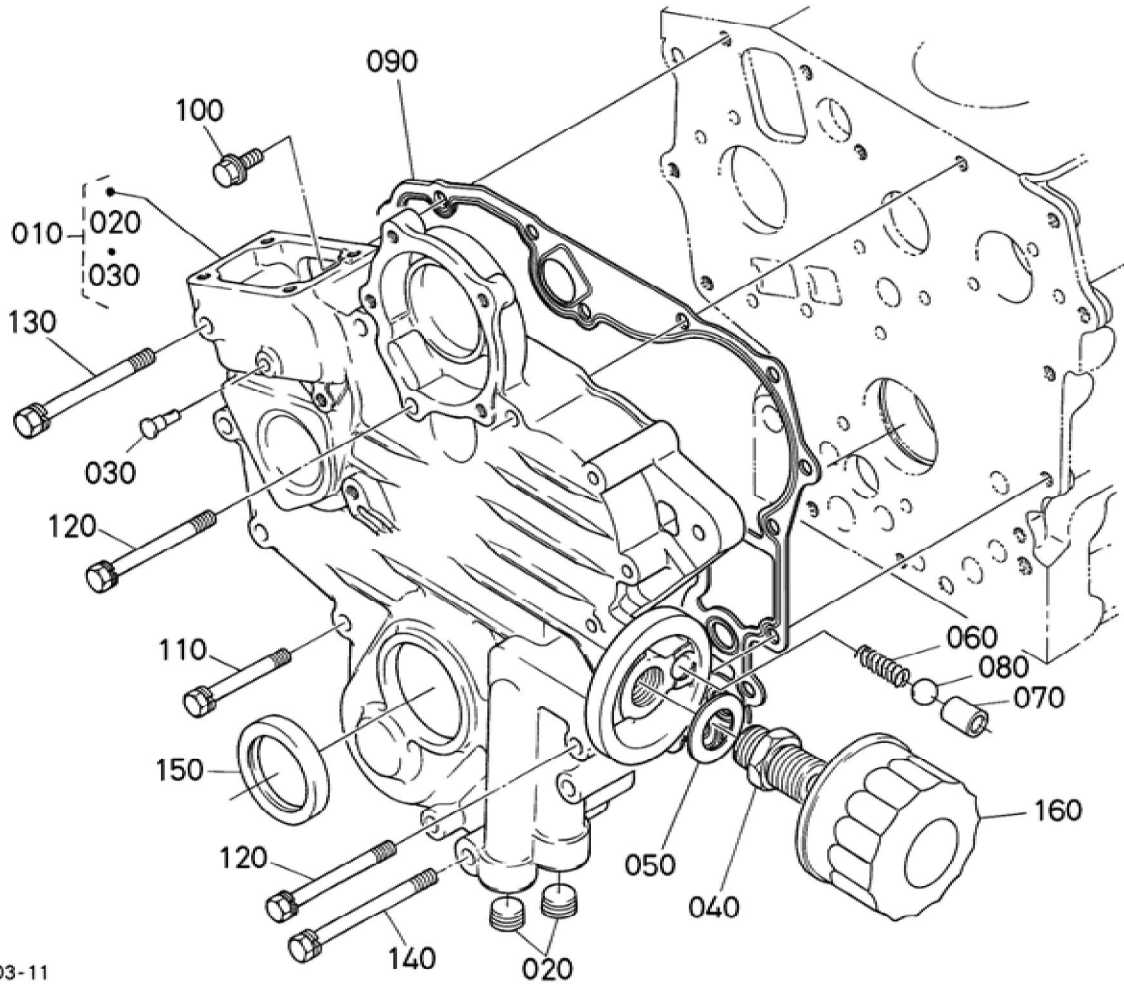
Update Date : 2019/01/10 Print Date : 2022/02/22



Update Date : 2019/01/10 Print Date : 2022/02/22

No.	Part Number	Part Name (POL)	Part Name (ENG)	QTY	IC	Serial No./PIN	Kg	Remarks
010	15221-01750	MOTORHAKEN	HOOK,ENGINE	2			0.040	
020	01123-50816	SCHRAUBE	BOLT,SEMS	2			0.011	
030	1A305-03040	KOMP.ZYLINDERKOPF	HEAD,CYLINDER,COMP	1			7.000	
040	15321-96260	KAPPE	CAP,SEALING	1			0.014	
050	15261-03370	STOEPSEL,ABDICHTUNG	CAP,SEALING	2			0.005	
060	15261-96010	STOPFEN	PLUG	1			0.002	
070	15841-13540	EINLASSVENTILFUEHRUNG	GUIDE,VALVE (INLET)	3			0.014	
080	15841-13560	AUSLASSVENTILFUEHRUNG	GUIDE (EXHAUST VALVE)	3			0.014	
090	15841-96020	STOPFEN	PLUG	1			0.020	
100	14601-03450	ZYLINDERKOPFSCHRAUBE	BOLT,HEAD (CYLINDER)	14			0.035	
110	1J092-03310	ZYLINDERKOPFDICHTUNG	GASKET (CYL.HEAD)	1			0.135	

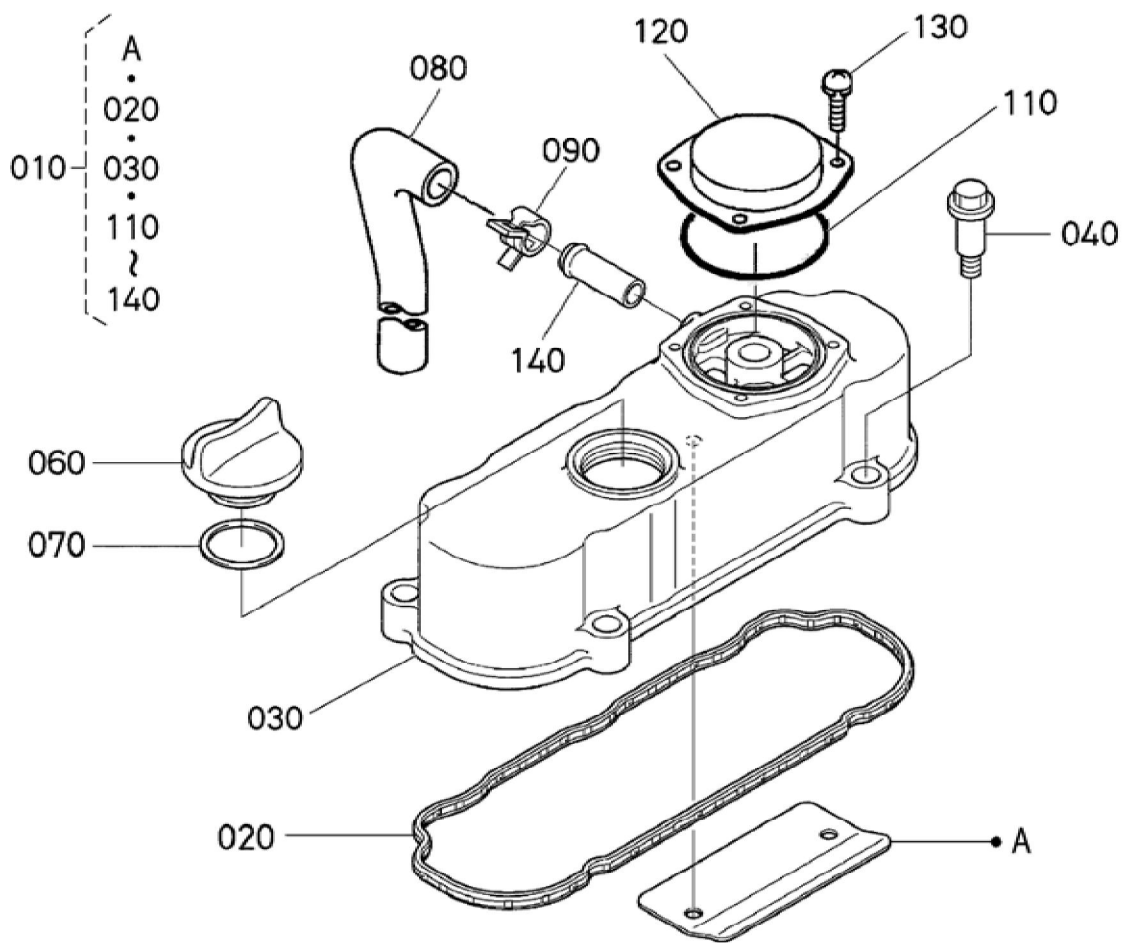
Update Date : 2019/01/10 Print Date : 2022/02/22



Update Date : 2019/01/10 Print Date : 2022/02/22

No.	Part Number	Part Name (POL)	Part Name (ENG)	QTY	IC	Serial No./PIN	Kg	Remarks
010	1E009-04024	KMP.GETRIEBEGEHAEUSE	COMP.CASE, GEAR	1			1.500	
020	15521-96030	STOPFEN	PLUG	2			0.007	
030	15841-56280	STARTFEDERSTIFT	PIN(START SPRING)	1			0.005	
040	15241-32290	VERBINDUNGSSTUECK	JOINT,PIPE	1			0.053	
050	15841-94010	SCHEIBE	WASHER,PLAIN	1			0.003	
060	16851-36950	FEDER	SPRING	1			0.020	
070	15841-36930	SITZ,VENTIL	SEAT,VALVE	1			0.003	
080	07715-03211	KUGEL	BALL	1			0.003	
090	16851-04130	DICHTUNG	GASKET,GEAR CASE	1			0.022	
100	01754-50616	SCHRAUBE	BOLT,FLANGE	1			0.006	
110	01023-50650	BOLZEN	BOLT,SEMS	10			0.012	
120	15841-91010	BOLZEN	BOLT	3			0.014	
130	01023-50670	BOLZEN	BOLT,SEMS	1			0.015	
140	01023-50675	BOLZEN	BOLT,SEMS	1			0.010	
150	1J094-04140	OELDICHTUNGSRING	SEAL,OIL	1			0.013	
160	HH152-32432	OELFILTERPATRONE	CARTRIDGE, OIL FILTER	1			0.300	

Update Date : 2019/01/10 Print Date : 2022/02/22

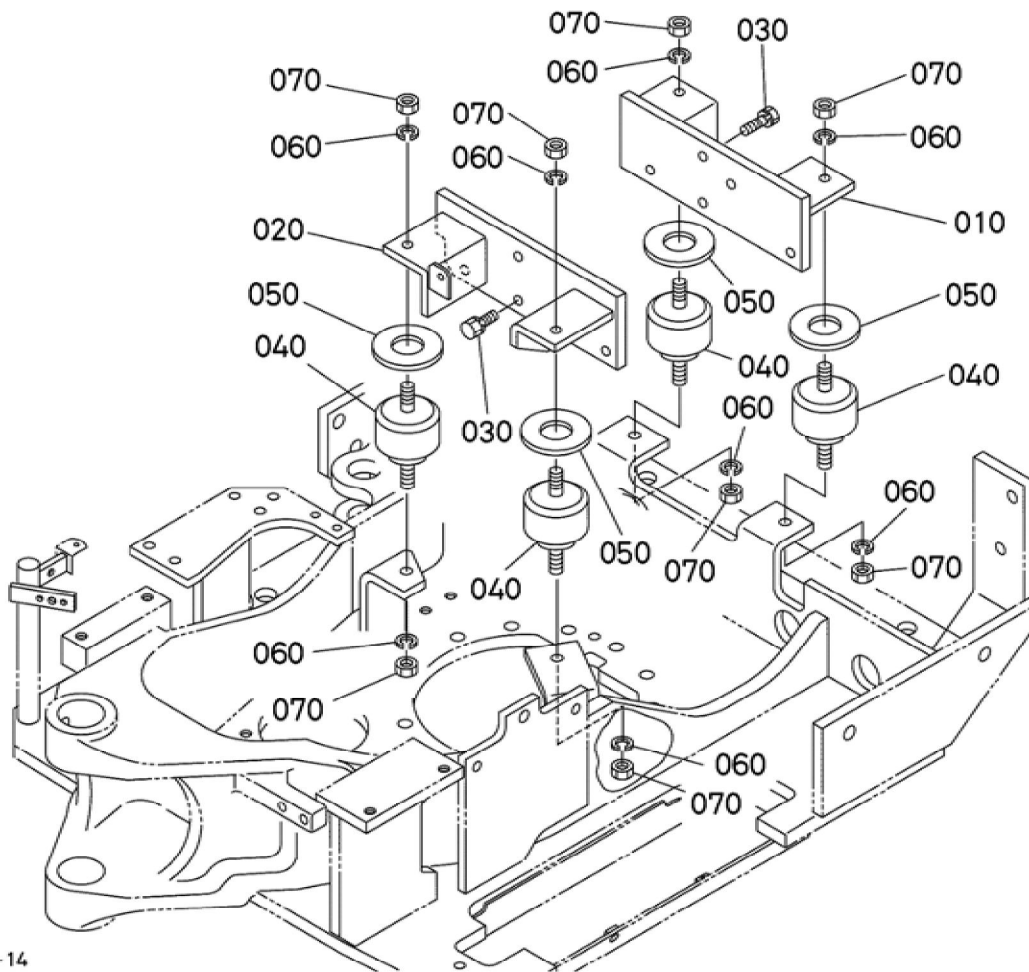


BKIDA5142 >> U10-3(S/N;50001-69999) >> MOTOR / ENGINE >> 000500 DECKEL OBEN / HEAD COVER

Update Date : 2019/01/10 Print Date : 2022/02/22

No.	Part Number	Part Name (POL)	Part Name (ENG)	QTY	IC	Serial No./PIN	Kg	Remarks
010	1G827-14504	VENTILDECKEL	ASSY COVER,CYL. HEAD	1			0.600	
020	1G958-14520	VENTILDECKELDICHUNG	GASKET,HEAD COVER	1			0.009	
030	1G958-14512	VENTILDECKEL	COVER,CYL. HEAD	1			0.510	
040	1G911-91022	BOLZEN	BOLT	4			0.015	
060	E9151-33140	OELEINFUELLSTOPFEN	PLUG(OIL FILLER)	1			0.017	
070	1J001-96770	O RING	O RING	1			0.001	
080	1G460-05510	ENTLUEFTUNGSROHR	TUBE,BREATHHER	1			0.040	
090	09318-88125	SCHLAUCHSCHELLE	CLAMP,HOSE	1			0.001	
110	1A021-05430	O RING	O RING,BREATHHER	1			0.001	
120	1G742-05120	ENTLUEFTERDECKEL	COVER,BREATHHER	1			0.035	
130	03024-50510	SCHRAUBE	SCREW,SEMS(PAN HEAD)	4			0.002	
140	16241-73370	ROHR	PIPE,WATER RETURN	1			0.007	

Update Date : 2019/01/10 Print Date : 2022/02/22

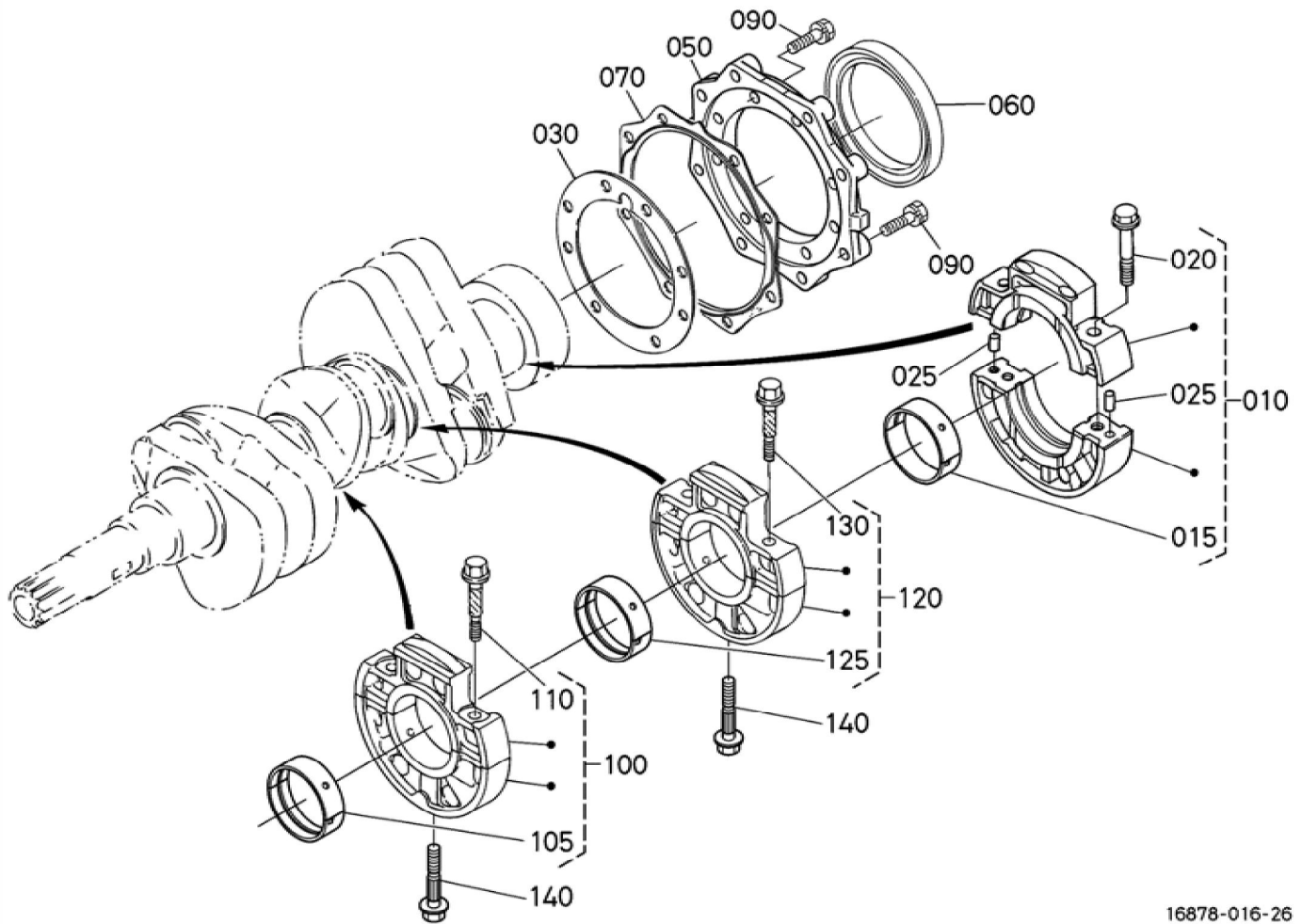


RA021-001-14

Update Date : 2019/01/10 Print Date : 2022/02/22

No.	Part Number	Part Name (POL)	Part Name (ENG)	QTY	IC	Serial No./PIN	Kg	Remarks
010	RA021-42113	TRAEGER,MOTOR	BRACKET,ENGINE	1			1.800	
020	RA139-42120	HALTER	BRACKET	1			1.804	
030	01133-51025	SCHRAUBE	BOLT,SEMS	8			0.023	
040	69191-42160	GUMMIPUFFER	CUSHION,RUBBER	4			0.370	
050	RC101-42170	DECKEL	COVER	4			0.004	
060	04512-50100	FEDERRING	WASHER,SPRING LOCK	8			0.003	
070	02118-50100	MUTTER	HEX.NUT	8			0.005	

Update Date : 2019/01/10 Print Date : 2022/02/22





Download the full PDF manual instantly.

Our customer service e-mail:

aservicemanualpdf@yahoo.com