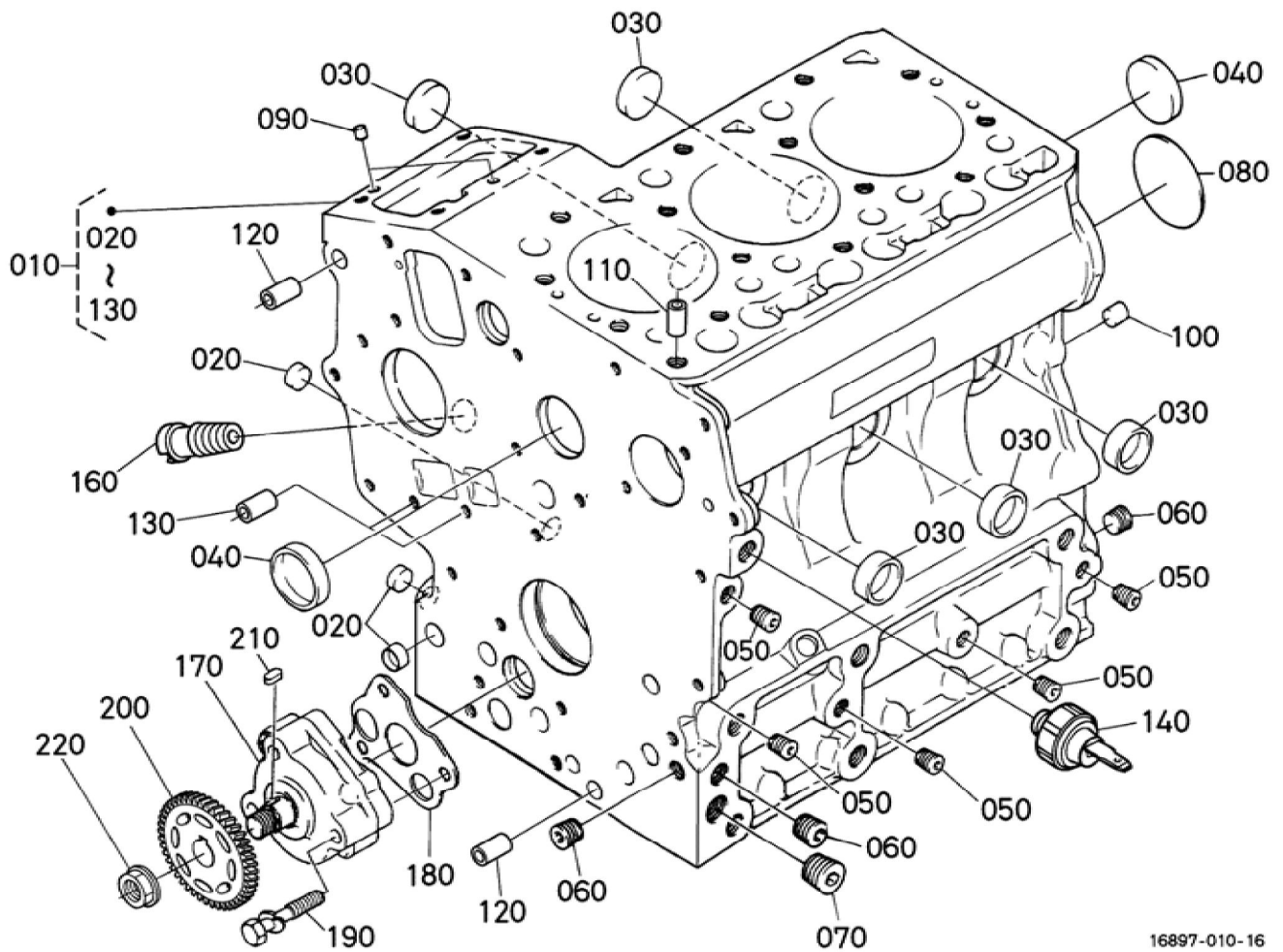


Update Date : 2020/03/13 Print Date : 2022/02/22



Update Date : 2020/03/13 Print Date : 2022/02/22

No.	Part Number	Part Name (POL)	Part Name (ENG)	QTY	IC	Serial No./PIN	Kg	Remarks
010	16896-01010	KOMP.KURBELGEHAEUSE	COMP.CRANKCASE	1		<=3S8996	21.500	
010	16896-01012	KOMP.KURBELGEHAEUSE	COMP.CRANKCASE	1	>>	>=3U0001	21.500	
010	16896-01013	KOMP.KURBELGEHAEUSE	COMP.CRANKCASE	1	>>	>=4A0001	21.500	
010	16896-01014	KOMP.KURBELGEHAEUSE	COMP.CRANKCASE	1	>>	>=4Q0001	21.500	
010	16896-01016	KOMP.KURBELGEHAEUSE	COMP.CRANKCASE	1	>>	>=5L0001	21.500	
010	16896-01018	KOMP.KURBELGEHAEUSE	COMP.CRANKCASE	1	>>	>=6Q0001	21.500	SEE NOTE
010	16896-01019	KOMP.KURBELGEHAEUSE	COMP.CRANKCASE	1	NI	>=9C0001	21.500	
010	16896-01020	KOMP.KURBELGEHAEUSE	CRANKCASE, COMP	1	>>	>=4CQ0001	28.000	
010	16896-01022	KOMP.KURBELGEHAEUSE	CRANKCASE, COMP	1	NI	>=4CW0001	28.000	
020	16851-96260	KAPPE	CAP,SEALING	3			0.005	
030	16851-96270	KAPPE	CAP,SEALING	5			0.005	
040	15451-96270	KAPPE	CAP,SEALING	2			0.010	
050	15261-96010	STOPFEN	PLUG	5			0.002	
060	15521-96020	STOPFEN	PLUG	3			0.003	
070	15521-96030	STOPFEN	PLUG	1			0.007	
080	15261-96160	STOPFEN	PLUG,EXPANSION	1			0.020	
090	05012-00508	ZYLINDERSTIFT	PIN,STRAIGHT	2			0.001	
100	05012-00814	ZYLINDERSTIFT	PIN,STRAIGHT	2			0.006	
110	15221-33650	ROHRSTIFT	PIN,PIPE	1			0.004	
120	15231-33960	ROHRSTIFT	PIN,PIPE	2		<=4CPZ999	0.001	
120	17331-59190	ROHRSTIFT	PIN,PIPE	2	>>	>=4CQ0001	0.002	
130	17331-59190	ROHRSTIFT	PIN,PIPE	2		<=9BZ999	0.002	
130	15231-33960	ROHRSTIFT	PIN,PIPE	2	NI	>=9C0001	0.001	
130	17331-59190	ROHRSTIFT	PIN,PIPE	2	>>	>=4CQ0001	0.002	
140	1A024-39010	OELDRUCKSCHALTER	SWITCH(OIL)	1			0.035	

Update Date : 2020/03/13 Print Date : 2022/02/22

No.	Part Number	Part Name (POL)	Part Name (ENG)	QTY	IC	Serial No./PIN	Kg	Remarks
160	15321-73340	WASSERROHR	PIPE(WATER RETURN)	1			0.016	
170	16851-35012	GRP.OELPUMPE	PUMP,ASSY (OIL)	1			0.240	
180	16851-35152	DICHTUNG,OELPUMPE	GASKET,OIL PUMP NA	1			0.001	
190	15841-91050	BOLZEN	BOLT	3			0.010	
200	15841-35660	ZAHNRAD	GEAR(OIL PUMP DRIVE)	1		<=4DKZ999	0.113	
200	1G687-35660	ZAHNRAD	GEAR(OIL PUMP DRIVE)	1	>>	>=4DL0001	0.070	
200	1G687-35662	ZAHNRAD	GEAR(OIL PUMP DRIVE)	1	>>	>=4EE0001	0.070	
210	05712-00408	KEIL	KEY,FEATHER	1			0.001	
220	02783-50100	MUTTER	NUT,FLANGE	1		<=4FZZ999	0.010	
220	02771-50100	MUTTER	NUT,FLANGE	1	>>	>=4FA0001	0.005	

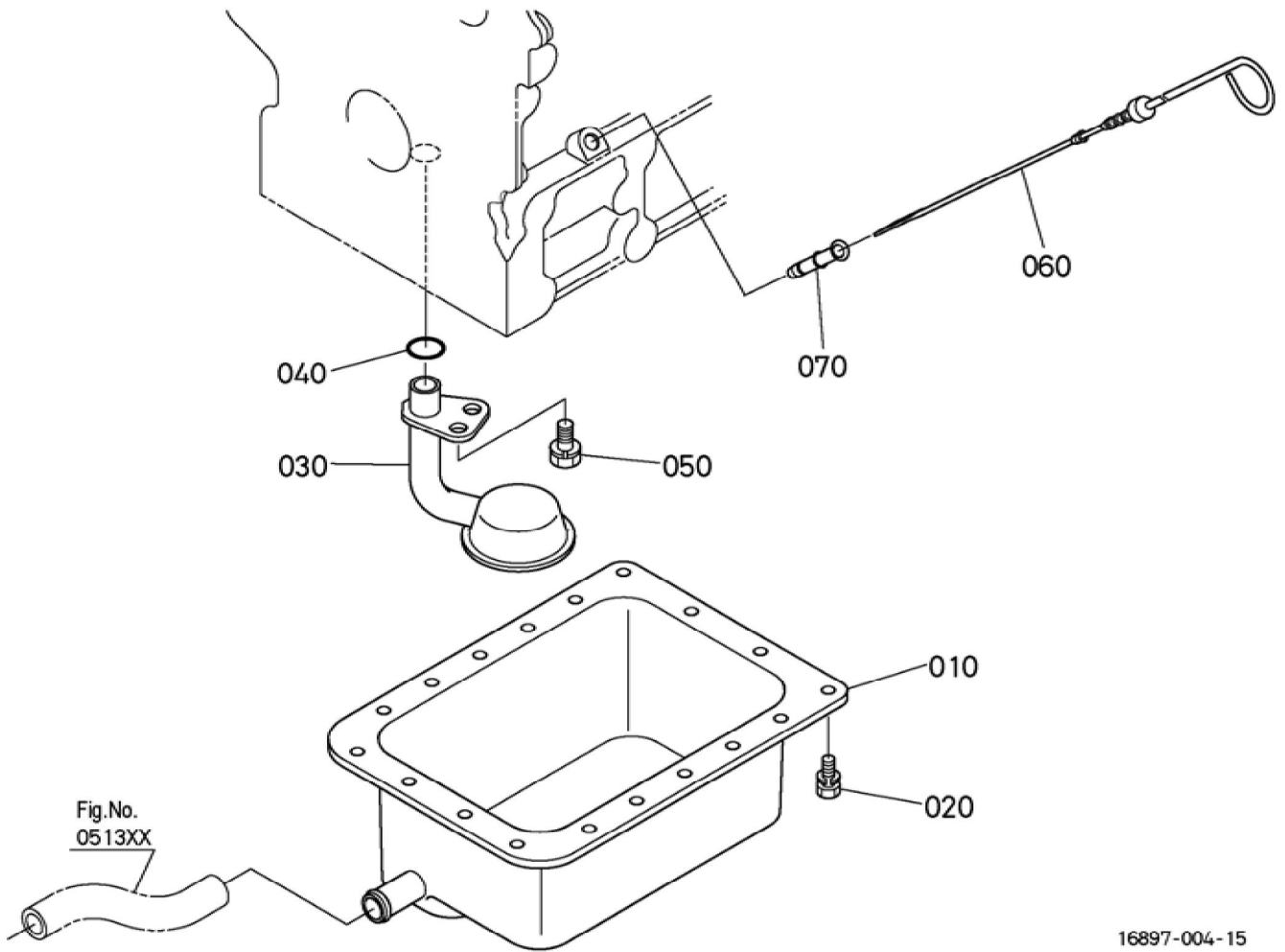


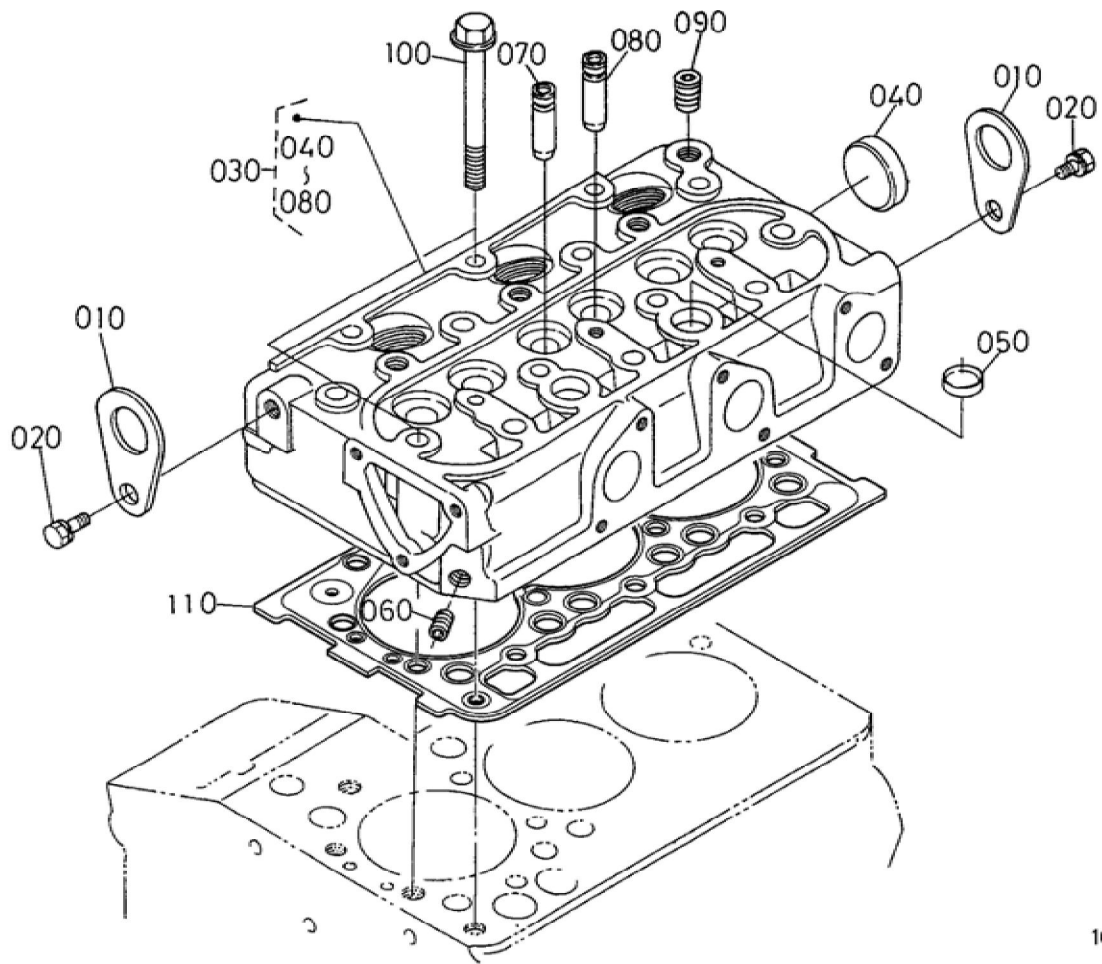
Fig.No.
0513XX

BKIDA0174 >> U10-3(S/N;10001-49999) >> MOTOR / ENGINE >> 000200 OELWANNE / OIL PAN

Update Date : 2020/03/13 Print Date : 2022/02/22

No.	Part Number	Part Name (POL)	Part Name (ENG)	QTY	IC	Serial No./PIN	Kg	Remarks
010	16897-01502	KOMP.OELW ANNE	COMP.OIL PAN	1			0.770	
020	01023-50614	BOLZEN	BOLT,SEMS	18		<=4CXZ999	0.005	
020	01023-50612	BOLZEN	BOLT,SEMS	18	>>	>=4CY0001	0.005	
030	15857-32113	OELFILTER	FILTER(OIL)	1			0.120	
040	04814-00160	O RING	O RING	1			0.001	
050	01123-50814	BOLZEN	BOLT,SEMS	1			0.010	
060	1K177-36410	OELMESSST AB	GAUGE,OIL	1			0.040	
070	17456-36420	FUEHRUNG, OELMESSST AB	GUIDE (GAUGE,OIL)	1			0.030	

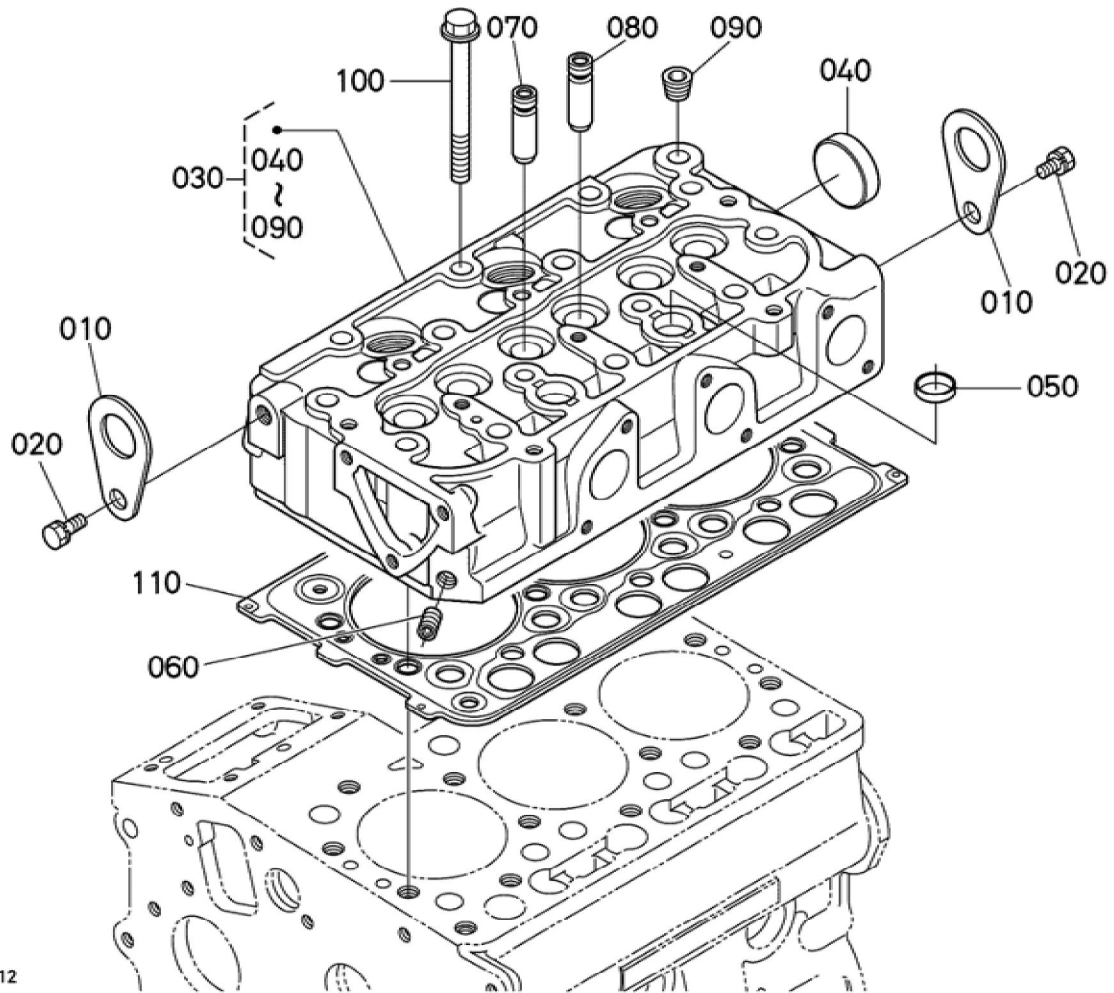
Update Date : 2020/03/13 Print Date : 2022/02/22



Update Date : 2020/03/13 Print Date : 2022/02/22

No.	Part Number	Part Name (POL)	Part Name (ENG)	QTY	IC	Serial No./PIN	Kg	Remarks
010	15221-01750	MOTORHAKE N	HOOK,ENGIN E	2			0.040	
020	01123-50816	SCHRAUBE	BOLT,SEMS	2			0.011	
030	16689-03042	KOMP.ZYLIN DERKOPF	COMP.CYLIN DER HEAD	1			7.370	
040	15321-96260	KAPPE	CAP,SEALING	1			0.014	
050	15261-03370	STOEPSEL,A BDICHTUNG	CAP,SEALING	2			0.005	
060	15261-96010	STOPFEN	PLUG	1			0.002	
070	15841-13540	EINLASSVEN TILFUEHRUN G	GUIDE,VALVE (INLET)	3			0.014	
080	15841-13560	AUSLASSVEN TILFUEHRUN G	GUIDE (EXHAUST VALVE)	3			0.014	
090	15841-96020	STOPFEN	PLUG	1			0.020	
100	14601-03450	ZYLINDERKO PFSCHRAUB E	BOLT,HEAD (CYLINDER)	14			0.035	
110	16871-03310	ZYLINDERKO PFDICHTUNG	GASKET (HEAD,CYL)	1		<=5T2706	0.083	
110	16871-03312	ZYLINDERKO PFDICHTUNG	GASKET (HEAD,CYL)	1	NI	>=5U0001	0.083	

Update Date : 2020/03/13 Print Date : 2022/02/22

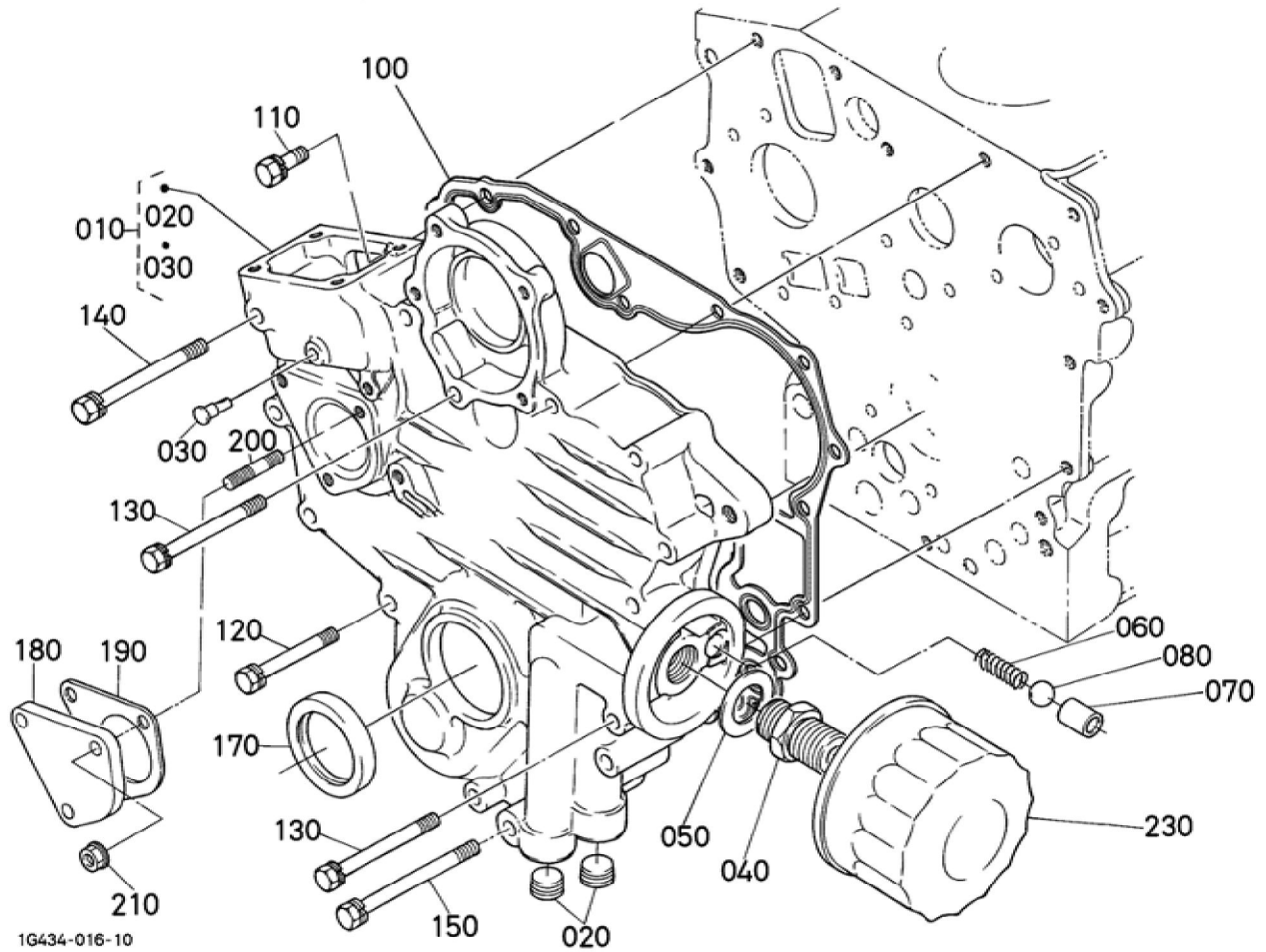


Update Date : 2020/03/13 Print Date : 2022/02/22

No.	Part Number	Part Name (POL)	Part Name (ENG)	QTY	IC	Serial No./PIN	Kg	Remarks
010	15221-01750	MOTORHAKE N	HOOK,ENGIN E	2			0.040	
020	01123-50816	SCHRAUBE	BOLT,SEMS	2			0.011	
030	1E129-03040	KOMP.ZYLIN DERKOPF	COMP.CYLIN DER HEAD	1		<=8ZZ999	7.000	
030	1J002-03040	KOMP.ZYLIN DERKOPF	COMP.CYLIN DER HEAD	1	NI	>=9A0001	7.300	
030	1J002-03042	KOMP.ZYLIN DERKOPF	COMP.CYLIN DER HEAD	1	>>	>=9G0001	7.300	SEE NOTE
030	1A305-03040	KOMP.ZYLIN DERKOPF	HEAD,CYLIN DER,COMP	1	NI	>=4CW0001	7.000	
040	15321-96260	KAPPE	CAP,SEALING	1			0.014	
050	15261-03370	STOEPSEL,A BDICHTUNG	CAP,SEALING	2			0.005	
060	15261-96010	STOPFEN	PLUG	1			0.002	
070	15841-13540	EINLASSVEN TILFUEHRUN G	GUIDE,VALVE (INLET)	3			0.014	
080	15841-13560	AUSLASSVEN TILFUEHRUN G	GUIDE (EXHAUST VALVE)	3			0.014	
090	15841-96020	STOPFEN	PLUG	1		<=9FZ999	0.020	
090	1G090-96010	STECKER	PLUG	1	NI	>=9G0001	0.003	
100	14601-03450	ZYLINDERKO PFSCHRAUB E	BOLT,HEAD (CYLINDER)	14			0.035	
110	16871-03312	ZYLINDERKO PFDICHTUNG	GASKET (HEAD,CYL)	1		<=7ZZ999	0.083	
110	16871-03313	ZYLINDERKO PFDICHTUNG	GASKET (HEAD,CYL)	1	>>	>=8A0001	0.083	
110	1J092-03310	ZYLINDERKO PFDICHTUNG	GASKET (CYL.HEAD)	1	>>	>=4CW0001	0.135	

Update Date : 2020/03/13 Print Date : 2022/02/22

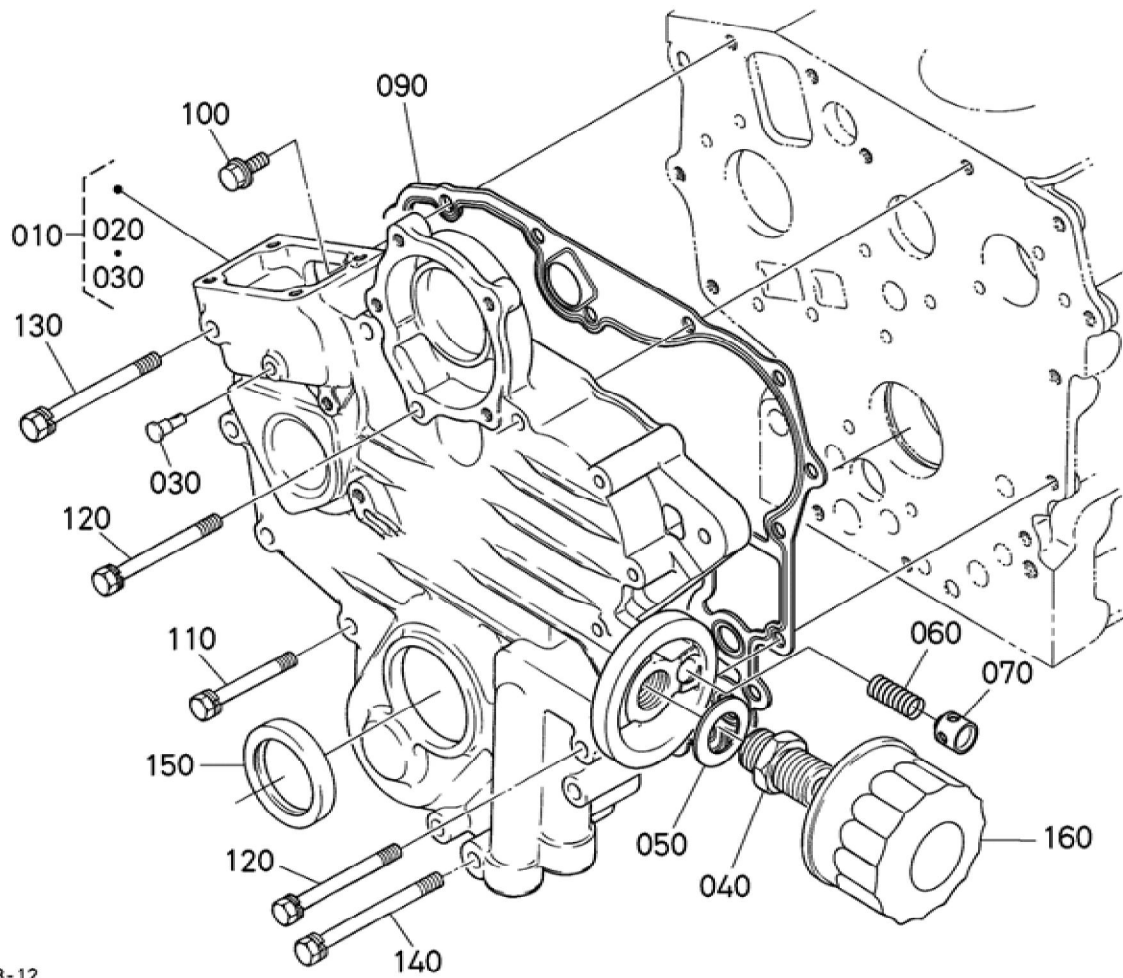
NOTE:ORDER BY REF. No. 010, 100 & FIG. No. 050100 REF. No. 070 NEW PARTS



Update Date : 2020/03/13 Print Date : 2022/02/22

No.	Part Number	Part Name (POL)	Part Name (ENG)	QTY	IC	Serial No./PIN	Kg	Remarks
010	19069-04024	KMP.GETRIE BEGEHAEUS E	COMP.CASE, GEAR	1		<=7TZ999	1.500	SEE NOTE
010	19069-04028	KMP.GETRIE BEGEHAEUS E	COMP.CASE, GEAR	1	NI	>=7U0001	1.500	
020	16851-96010	STOPFEN	PLUG	2		<=4F1505	0.015	
020	15521-96030	STOPFEN	PLUG	2	NI	>=4G0001	0.007	
030	15841-56280	STARTFEDER STIFT	PIN(START SPRING)	1			0.005	
040	15241-32290	VERBINDUNG SSTUECK	JOINT,PIPE	1			0.053	
050	15841-94010	SCHEIBE	WASHER,PLA IN	1			0.003	
060	16851-36950	FEDER	SPRING	1			0.020	
070	15841-36930	SITZ,VENTIL	SEAT,VALVE	1			0.003	
080	07715-03211	KUGEL	BALL	1			0.003	
100	15862-04132	DICHTUNG	GASKET (GEAR CASE NA)	1		<=7TZ999	0.007	
100	16851-04130	DICHTUNG	GASKET,GEA R CASE	1	NI	>=7U0001	0.022	
110	01023-50618	BOLZEN	BOLT,SEMS	1			0.006	
120	01023-50650	BOLZEN	BOLT,SEMS	10			0.012	
130	15841-91010	BOLZEN	BOLT	3			0.014	
140	01023-50670	BOLZEN	BOLT,SEMS	1			0.015	
150	01023-50675	BOLZEN	BOLT,SEMS	1			0.010	
170	15877-04140	OELDICHTUN GSRING	SEAL,OIL	1			0.011	
180	19461-83340	DECKEL	COVER	1			0.080	
190	19461-88132	DICHTUNG	GASKET,H/M GEAR CASE	1			0.002	
200	15221-88210	STEBOLZEN	BOLT,STUD	3			0.005	
210	02056-50060	MUTTER	HEX.NUT	3		<=8TZ999	0.002	
210	02751-50060	MUTTER	NUT,FLANGE	3	>>	>=8U0001	0.005	
230	15841-32430	OELFILTERP ATRONE	CARTRIDGE, OIL FILTER	1		<=5P0653	0.310	
230	15841-32432	OELFILTERP ATRONE	CARTRIDGE, OIL FILTER	1	>>	>=5Q0001	0.300	
230	HH152-32432	OELFILTERP ATRONE	CARTRIDGE, OIL FILTER	1	>>		0.300	

Update Date : 2020/03/13 Print Date : 2022/02/22

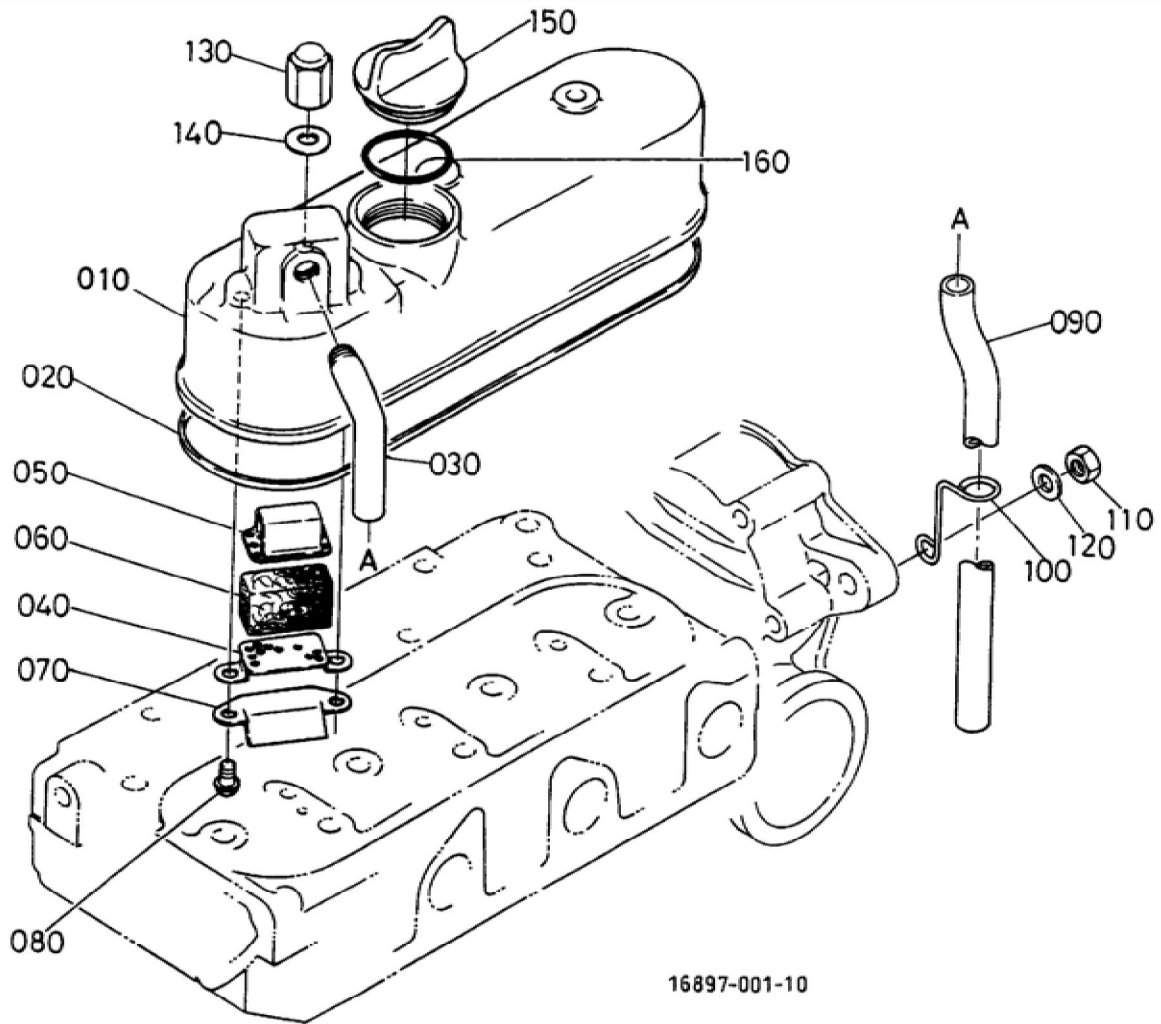


1G408-003-12

Update Date : 2020/03/13 Print Date : 2022/02/22

No.	Part Number	Part Name (POL)	Part Name (ENG)	QTY	IC	Serial No./PIN	Kg	Remarks
010	1E009-04024	KMP.GETRIEBE GEHAEUSE	COMP.CASE, GEAR	1		<=4JTZ999	1.500	
010	1E009-04025	KMP.GETRIEBE GEHAEUSE	COMP.CASE, GEAR	1	NI	>=4JU0001	1.500	
020	15521-96030	STOPFEN	PLUG	2			0.007	
030	15841-56280	STARTFEDER STIFT	PIN(START SPRING)	1			0.005	
040	15241-32290	VERBINDUNG SSTUECK	JOINT,PIPE	1			0.053	
050	15841-94010	SCHEIBE	WASHER,PLA IN	1			0.003	
060	16851-36950	FEDER	SPRING	1		<=4JTZ999	0.020	
060	1J092-36950	FEDER	SPRING	1	NI	>=4JU0001	0.004	
070	15841-36930	SITZ,VENTIL	SEAT,VALVE	1		<=4JTZ999	0.003	
070	1J050-36930	UEBERLAUFV ENTIL	VALVE (RELIEF)	1	NI	>=4JU0001	0.005	
090	16851-04130	DICHTUNG	GASKET,GEA R CASE	1			0.022	
100	01023-50618	BOLZEN	BOLT,SEMS	1		<=4CXZ999	0.006	
100	01754-50616	SCHRAUBE	BOLT,FLANG E	1	>>	>=4CY0001	0.006	
110	01023-50650	BOLZEN	BOLT,SEMS	10			0.012	
120	15841-91010	BOLZEN	BOLT	3			0.014	
130	01023-50670	BOLZEN	BOLT,SEMS	1			0.015	
140	01023-50675	BOLZEN	BOLT,SEMS	1			0.010	
150	15877-04140	OELDICHTUN GSRING	SEAL,OIL	1		<=4DPZ999	0.011	
150	1J094-04140	OELDICHTUN GSRING	SEAL,OIL	1	>>	>=4DQ0001	0.013	
160	HH152-32432	OELFILTERP ATRONE	CARTRIDGE, OIL FILTER	1			0.300	

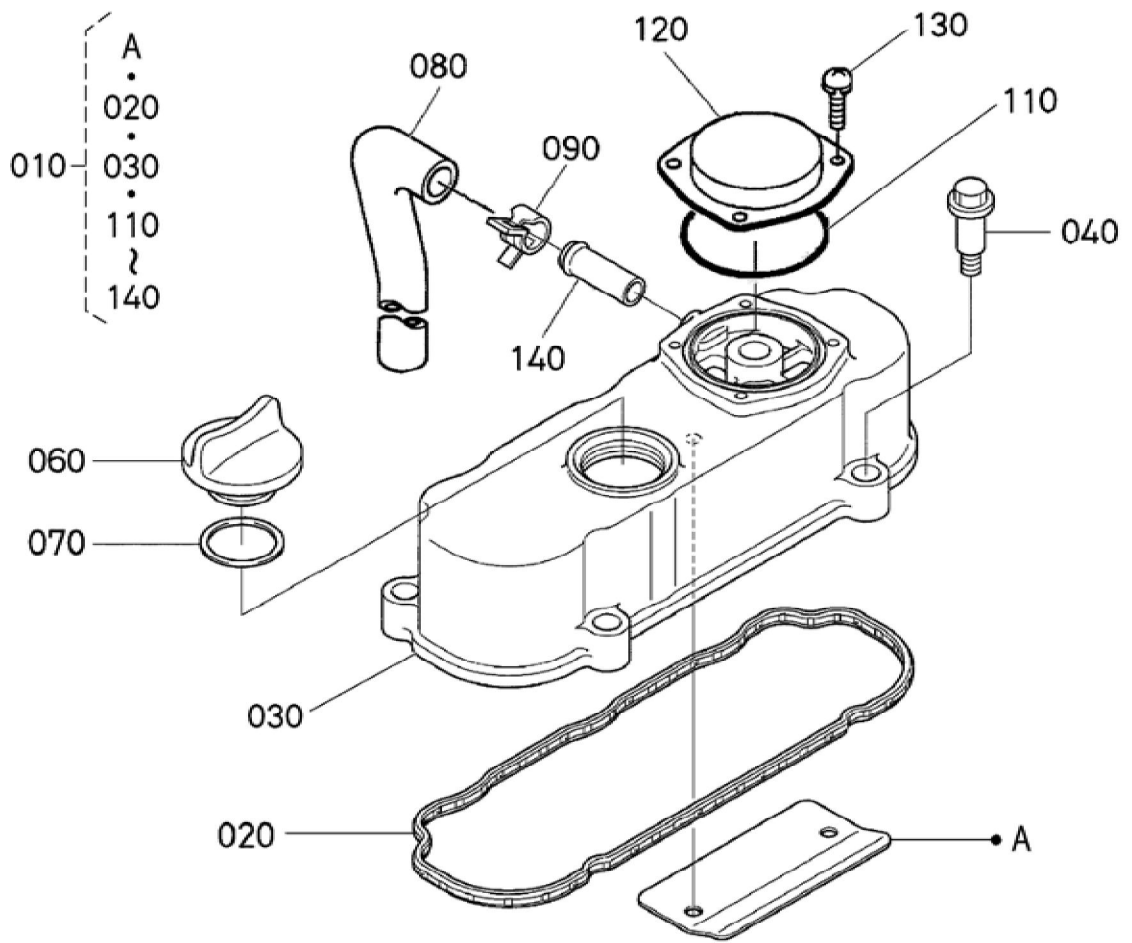
Update Date : 2020/03/13 Print Date : 2022/02/22



Update Date : 2020/03/13 Print Date : 2022/02/22

No.	Part Number	Part Name (POL)	Part Name (ENG)	QTY	IC	Serial No./PIN	Kg	Remarks
010	16861-14513	VENTILDECKEL	COVER,HEAD,ASSY (CYLINDER)	1			0.380	
020	16861-14522	VENTILDECKELDICHUNG	GASKET,HEAD COVER	1		<=3U9615	0.020	
020	16871-14520	VENTILDECKELDICHUNG	GASKET,HEAD COVER	1	>>	>=3W0001	0.001	
030	15881-05550	ANSCHLUSS TUECK	JOINT,BREATHER PIPE	1			0.010	
040	15841-05140	PLATTE,ELEMENT	PLATE,B/THER ELEMENT	1			0.005	
050	15841-05150	PLATTE,ELEMENT	PLATE,B/THER ELEMENT	1			0.005	
060	15841-05670	ENTLUEFTUNGSELEMENT	ELEMENT,BREATHER	1			0.010	
070	15841-05370	OELSCHILD,ENTLUEFTER	OIL SHIELD,BREATHER	1			0.003	
080	16861-93310	SCHRAUBE	SCREW	2			0.001	
090	15841-05510	ENTLUEFTUNGSRÖHR	PIPE,BREATHER	1			0.040	
100	15841-05590	ROHRKLEMME	CLAMP,PIPE	1			0.005	
110	02114-50080	MUTTER	HEX.NUT	1		<=5F3683	0.005	
110	02156-50080	MUTTER	HEX.NUT	1	>>	>=5G0001	0.004	
120	04013-50080	SCHEIBE	WASHER,PLAIN	1			0.003	
130	15841-14620	MUTTER	NUT	3			0.006	
140	15601-96650	DICHTUNGSPLATTE	PACKING	3			0.001	
150	E9151-33140	OELEINFUELLSTOPFEN	PLUG(OIL FILLER)	1			0.017	
160	04814-50300	O RING	O RING	1			0.001	

Update Date : 2020/03/13 Print Date : 2022/02/22





Download the full PDF manual instantly.

Our customer service e-mail:

aservicemanualpdf@yahoo.com