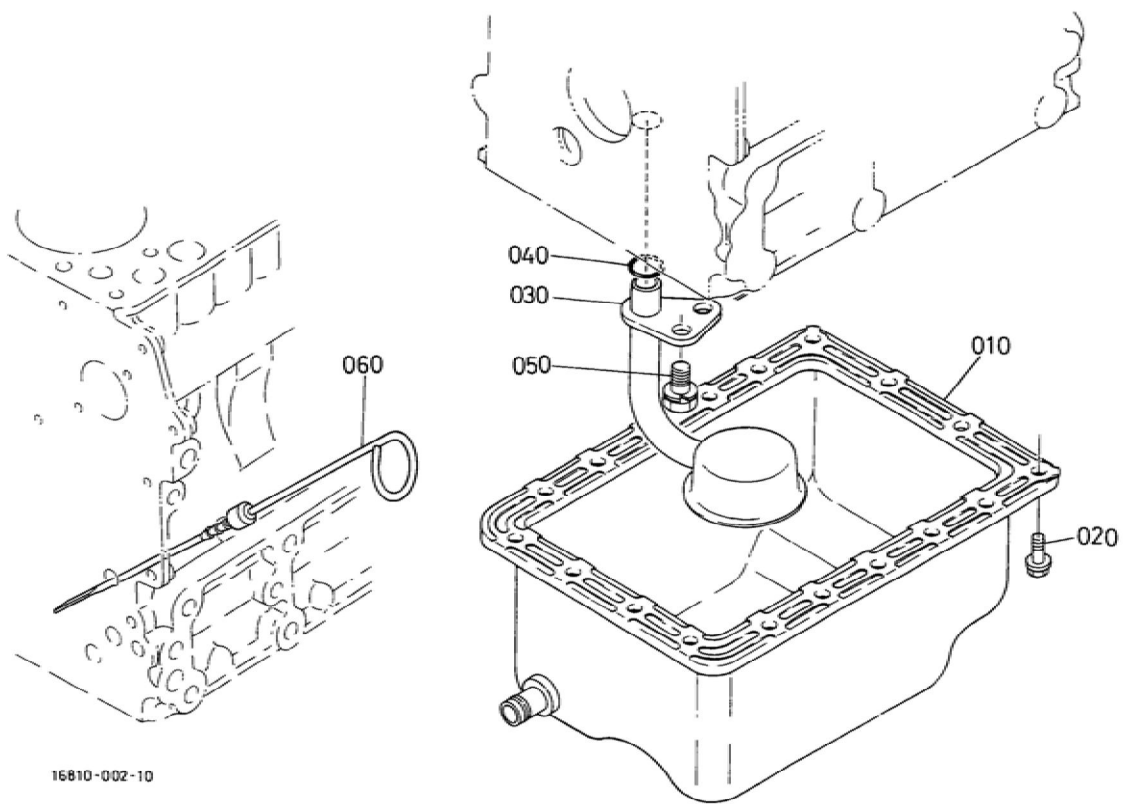


## BKIDA0098 &gt;&gt; U-10ALPHA &gt;&gt; MOTOR / ENGINE &gt;&gt; 000100 KURBELGEHAEUSE / CRANK CASE

Update Date : 2015/11/26 Print Date : 2022/02/23

No.	Part Number	Part Name (POL)	Part Name (ENG)	QTY	IC	Serial No./PIN	Kg	Remarks
010	16682-01010	KOMP.KURBELGEHAEUSE	COMP.CRANKCASE	1			21.800	
020	16851-96260	KAPPE	CAP SEALING	3			0.005	
030	16851-96270	KAPPE	CAP SEALING	5			0.005	
040	15451-96270	KAPPE	CAP SEALING	2			0.010	
050	15261-96010	STOPFEN	PLUG	5			0.002	
060	15521-96020	STOPFEN	PLUG	3			0.003	
070	15521-96030	STOPFEN	PLUG	1			0.007	
080	15261-96160	STOPFEN	PLUG EXPANSION	1			0.020	
090	05012-00508	ZYLINDERSTIFT	PIN STRAIGHT	2			0.001	
100	05012-00814	ZYLINDERSTIFT	PIN STRAIGHT	2			0.006	
110	15221-33650	ROHRSTIFT	PIN PIPE	1			0.004	
120	15231-33960	ROHRSTIFT	PIN PIPE	2			0.001	
130	17331-59190	ROHRSTIFT	PIN PIPE	2			0.002	
140	16851-16212	DECKEL	COVER FUEL CAMSHAFT	1			0.030	
150	15221-33700	O RING	O RING	1			0.001	
160	15321-73340	WASSERROHR	PIPE WATER RETURN	1			0.016	
170	16851-35010	GRP.OELPUMPE	ASSY PUMP OIL	1		<=2J7251	0.240	
170	16851-35012	GRP.OELPUMPE	ASSY PUMP OIL	1	>>	=>2L0001	0.240	
180	16851-35152	DICHTUNG,OELPUMPE	GASKET OIL PUMP NA	1			0.001	
190	15841-91050	BOLZEN	BOLT	3			0.010	
200	15841-35660	ZAHNRAD	GEAR OIL PUMP DRIVE	1			0.113	
210	05712-00408	KEIL	KEY FEATHER	1			0.001	
220	02783-50100	MUTTER	NUT FLANGE	1			0.010	
230	15531-39010	OELDRUCKSCHALTER	SWITCH OIL	1			0.032	

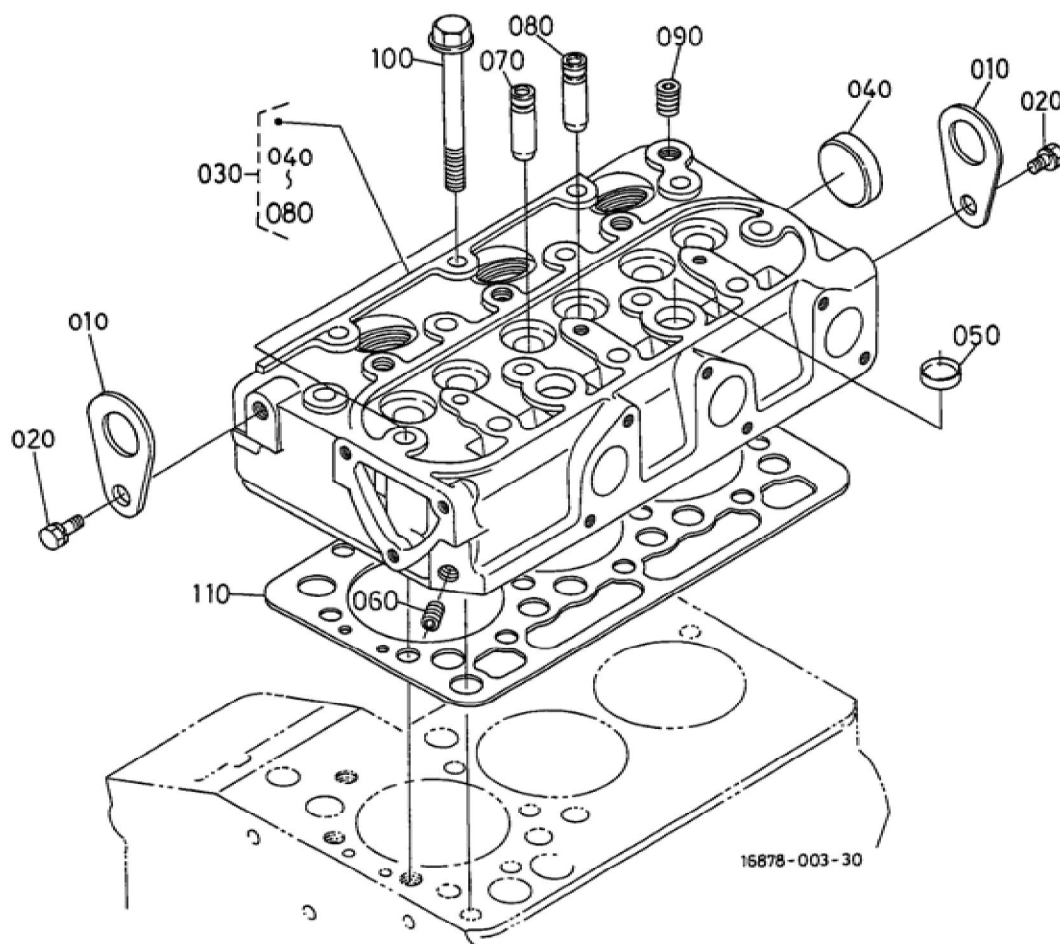


## BKIDA0098 &gt;&gt; U-10ALPHA &gt;&gt; MOTOR / ENGINE &gt;&gt; 000200 OELWANNE / OIL PAN

Update Date : 2015/11/26 Print Date : 2022/02/23

No.	Part Number	Part Name (POL)	Part Name (ENG)	QTY	IC	Serial No./PIN	Kg	Remarks
010	15875-01500	KOMP.OELW ANNE	COMP.OIL PAN	1			1.100	
020	01023-50612	BOLZEN	BOLT	18			0.005	
030	16851-32110	OELFILTER	FILTER OIL	1			0.110	
040	04814-00160	O RING	O RING	1			0.001	
050	01123-60814	BOLZEN	BOLT	1			0.010	
060	16867-36412	OELMESSST AB	GAUGE OIL	1			0.023	

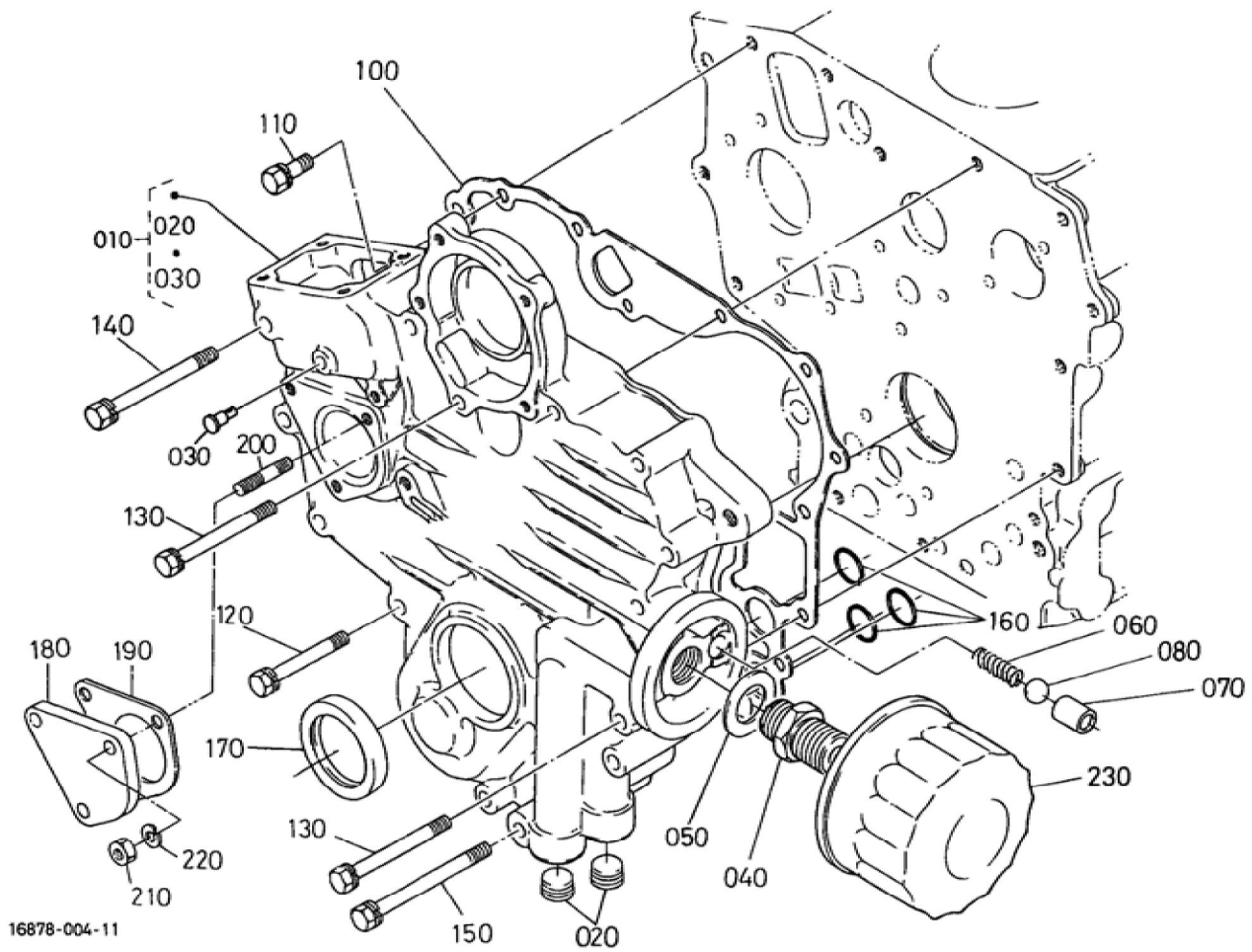
Update Date : 2015/11/26 Print Date : 2022/02/23



## BKIDA0098 &gt;&gt; U-10ALPHA &gt;&gt; MOTOR / ENGINE &gt;&gt; 000300 ZYLINDERKOPF / CYLINDER HEAD

Update Date : 2015/11/26 Print Date : 2022/02/23

No.	Part Number	Part Name (POL)	Part Name (ENG)	QTY	IC	Serial No./PIN	Kg	Remarks
010	15221-01750	MOTORHAKEN	HOOK ENGINE	2			0.040	
020	01123-60816	SCHRAUBE	BOLT	2			0.010	
030	17575-03042	KOMP.ZYLINDERKOPF	COMP.CYLINDER HEAD	1			7.300	
040	15321-96260	KAPPE	CAP SEALING	1			0.014	
050	15261-03370	STOEPSEL,ABDICHTUNG	CAP SEALING	2			0.005	
060	15261-96010	STOPFEN	PLUG	1			0.002	
070	15841-13540	EINLASSVENTILFUEHRUNG	GUIDE INLET VALVE	3			0.014	
080	15841-13560	AUSLASSVENTILFUEHRUNG	GUIDE EXHAUST VALVE	3			0.014	
090	15841-96020	STOPFEN	PLUG	1			0.020	
100	14601-03450	ZYLINDERKOPFSCHRAUBE	BOLT CYLINDER HEAD	14			0.035	
110	16871-03310	ZYLINDERKOPFDICHTUNG	GASKET CYLINDER HEAD	1			0.083	

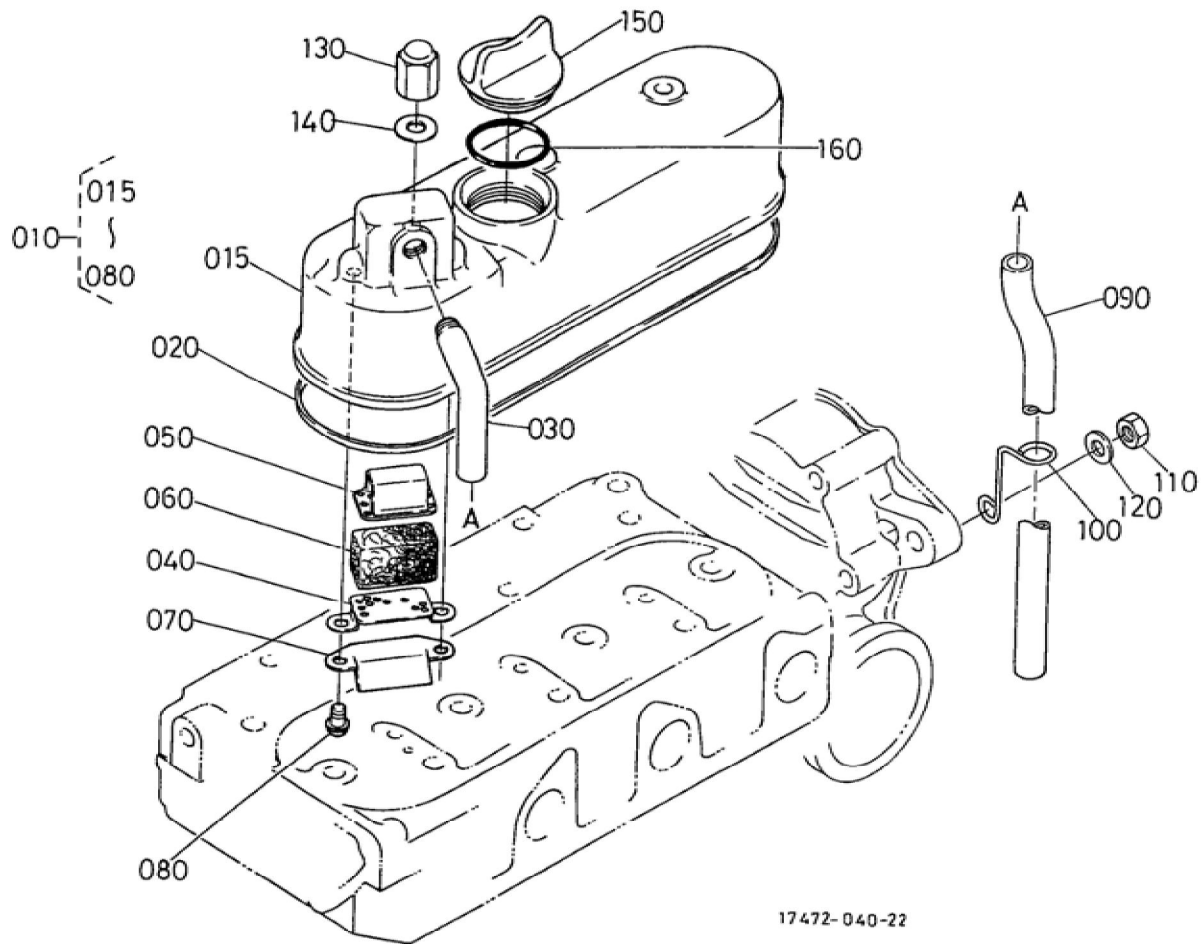


## BKIDA0098 &gt;&gt; U-10ALPHA &gt;&gt; MOTOR / ENGINE &gt;&gt; 000400 GETRIEBEGEHAEUSE / GEAR CASE

Update Date : 2015/11/26 Print Date : 2022/02/23

No.	Part Number	Part Name (POL)	Part Name (ENG)	QTY	IC	Serial No./PIN	Kg	Remarks
010	19069-04024	KMP.GETRIEBEGEHAEUSE	COMP.CASE GEAR	1			1.500	
020	16851-96010	STOPFEN	PLUG	2			0.015	
030	15841-56280	STARTFEDERSTIFT	PIN START SPRING	1			0.005	
040	15241-32290	VERBINDUNGSSSTUECK	JOINT PIPE	1			0.053	
050	15841-94010	SCHEIBE	WASHER PLAIN	1			0.003	
060	16851-36950	FEDER	SPRING	1			0.020	
070	15841-36930	SITZ,VENTIL	SEAT VALVE	1			0.003	
080	07715-03211	KUGEL	BALL	1			0.003	
100	15862-04132	DICHTUNG	GASKET GEAR CASE NA	1			0.007	
110	01023-50618	BOLZEN	BOLT	1			0.006	
120	01023-60650	BOLZEN	BOLT	10			0.015	
130	15841-91010	BOLZEN	BOLT	3			0.014	
140	01023-60670	BOLZEN	BOLT	1			0.015	
150	01023-50675	BOLZEN	BOLT	1			0.010	
160	04814-06130	O RING	O RING	3			0.001	
170	15877-04140	OELDICHTUNGSRING	SEAL OIL	1			0.011	
180	19461-83340	DECKEL	COVER	1			0.080	
190	19461-88132	DICHTUNG	GASKET H/M GEAR CASE	1			0.002	
200	15221-88210	STEBBOLZEN	STUD	3			0.005	
210	02056-50060	MUTTER	NUT	3			0.002	
220	04512-60060	FEDERRING	WASHER SPRING	3			0.001	
230	15841-32430	OELFILTERPATRONE	CARTRIDGE OIL FILTER	1			0.310	
230	HH152-32432	OELFILTERPATRONE	CARTRIDGE OIL FILTER	1	>>		0.300	

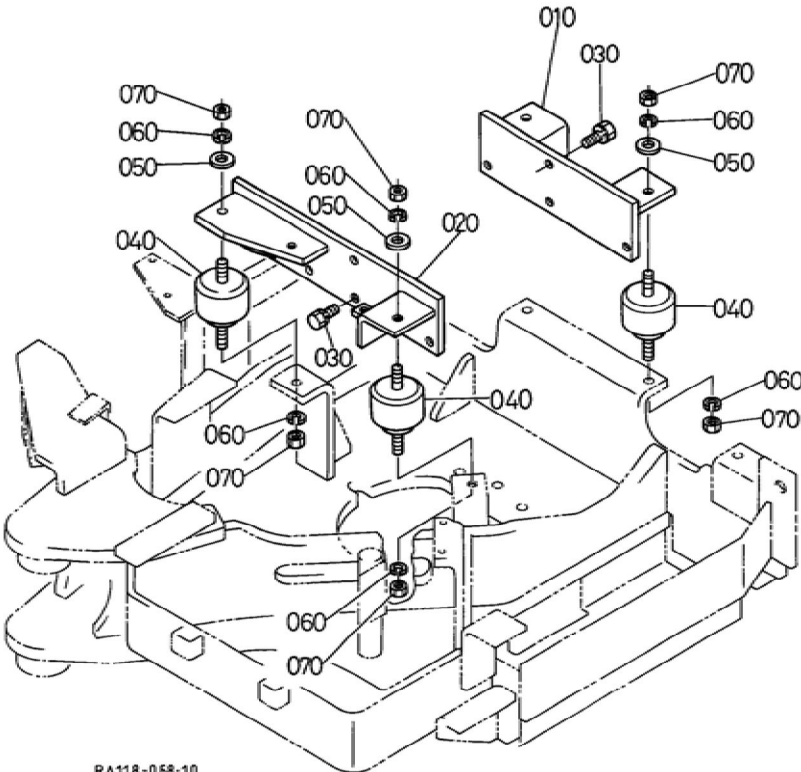




## BKIDA0098 &gt;&gt; U-10ALPHA &gt;&gt; MOTOR / ENGINE &gt;&gt; 000500 VENTILDECKEL / HEAD COVER

Update Date : 2015/11/26 Print Date : 2022/02/23

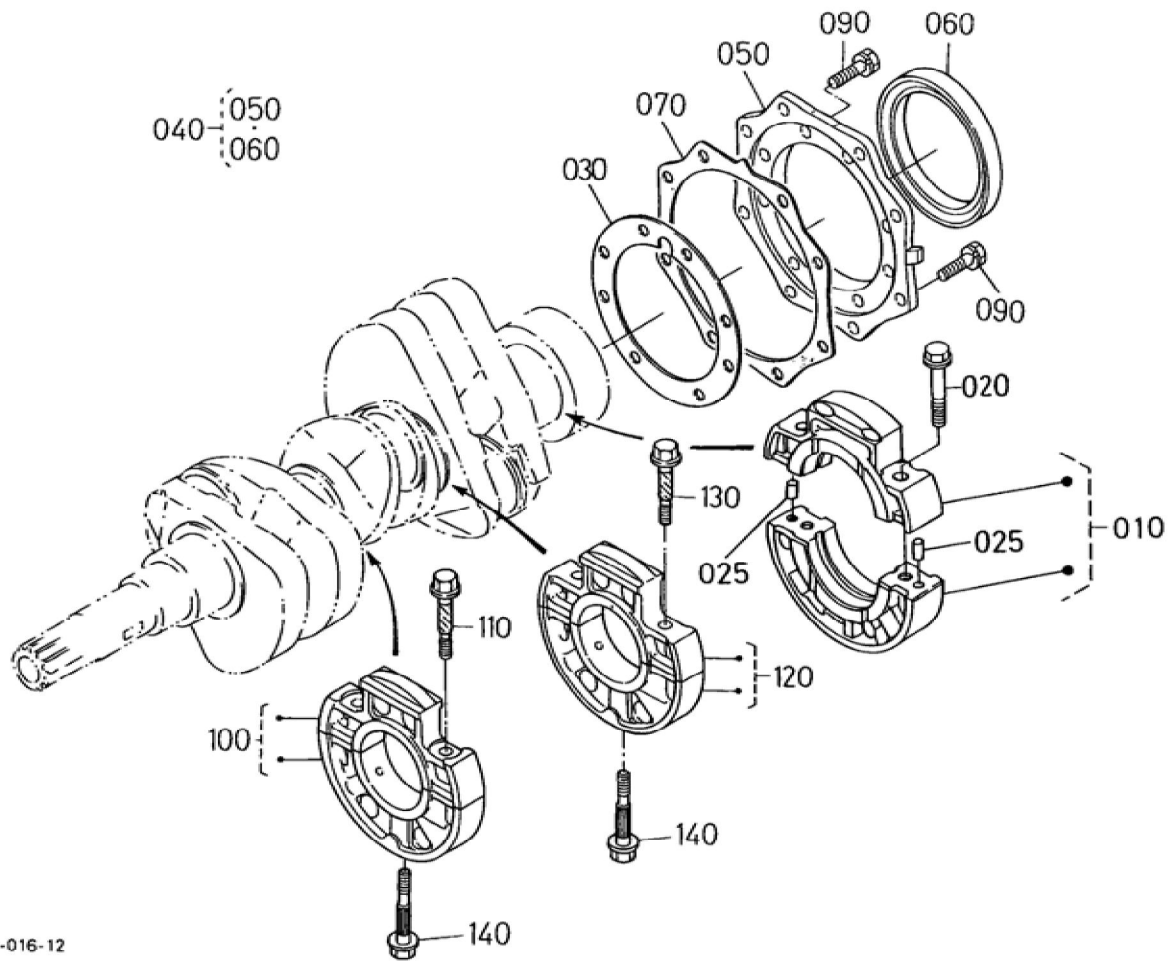
No.	Part Number	Part Name (POL)	Part Name (ENG)	QTY	IC	Serial No./PIN	Kg	Remarks
010	16861-14500	VENTILDECKEL	ASSY COVER CYL.HEAD	1			0.405	
015	16861-14513	VENTILDECKEL	COVER CYL.HEAD	1			0.380	
020	16861-14522	VENTILDECKELDICHUNG	GASKET HEAD COVER	1			0.020	
030	15841-05550	ROHR	JOINT BREATHER PIPE	1			0.025	
040	15841-05140	PLATTE,ELEMENT	PLATE B/THER ELEMENT	1			0.005	
050	15841-05150	PLATTE,ELEMENT	PLATE B/THER ELEMENT	1			0.005	
060	15841-05670	ENTLUEFTUNGSELEMENT	ELEMENT BREATHER	1			0.010	
070	15841-05370	OELSCHILD,ENTLUEFTER	OIL SHIELD BREATHER	1			0.003	
080	16861-93310	SCHRAUBE	SCREW	2			0.001	
090	15841-05510	ENTLUEFTUNGSRÖHR	PIPE BREATHER	1			0.040	
100	15841-05590	ROHRKLEMME	CLAMP PIPE	1			0.005	
110	02114-50080	MUTTER	NUT	1			0.005	
120	04013-60080	SCHEIBE	WASHER PLAIN	1			0.002	
130	15841-14620	MUTTER	NUT	3			0.006	
140	15601-96650	DICHTUNGSPLATTE	GASKET	3			0.001	
150	15852-33140	OELEINFUELLSTOPFEN	PLUG OIL FILLER	1		<=2J7251	0.038	
150	E9151-33140	OELEINFUELLSTOPFEN	PLUG OIL FILLER	1	=	=>2L0001	0.017	
160	04814-50300	O RING	O RING	1			0.001	



Update Date : 2015/11/26 Print Date : 2022/02/23

No.	Part Number	Part Name (POL)	Part Name (ENG)	QTY	IC	Serial No./PIN	Kg	Remarks
010	69191-42112	HALTER,L-MOTOR	BRACKET L-ENGINE	1			1.800	
020	RA111-42120	TRAEGER,MOTOR	BRACKET ENGINE	1			2.600	
030	01133-61025	SCHRAUBE	BOLT	8			0.020	
040	69191-42160	GUMMIPUFFER	CUSHION RUBBER	4			0.370	
050	04013-60100	SCHEIBE	WASHER PLAIN	4			0.003	
060	04512-60100	FEDERRING	WASHER SPRING	8			0.002	
070	02118-60100	MUTTER	NUT	8			0.006	

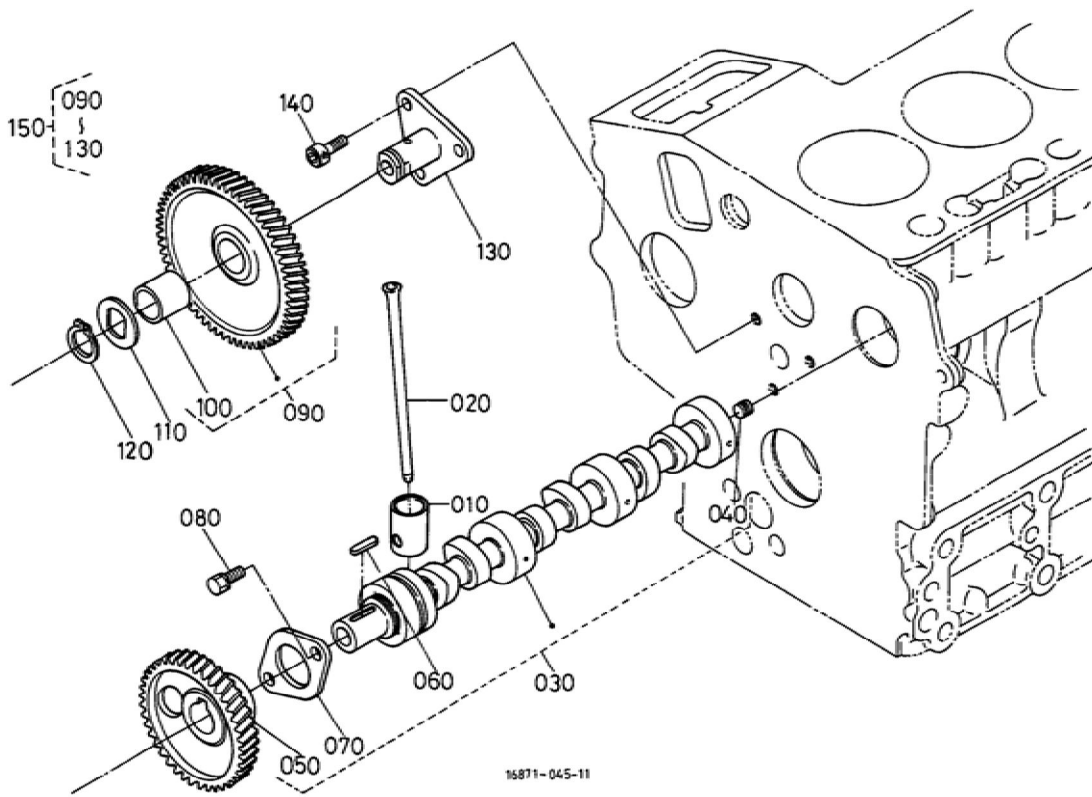
Update Date : 2015/11/26 Print Date : 2022/02/23



Update Date : 2015/11/26 Print Date : 2022/02/23

No.	Part Number	Part Name (POL)	Part Name (ENG)	QTY	IC	Serial No./PIN	Kg	Remarks
010	15821-04090	GRP.LAGERGEHAEUSE	ASSY CASE MAIN BRG.	1			0.290	
020	01754-50840	SCHRAUBE	BOLT FLANGE	2			0.020	
025	05012-00608	ZYLINDERSTIFT	PIN STRAIGHT	2			0.002	
030	15852-04360	DICHTUNG,LAGER	GASKET BEARING CASE	1			0.005	
040	15841-04800	LAGERKASTENDECKEL	ASSY COVER BRG.CASE	1			0.177	
050	15841-04810	DECKEL,LAGERKASTEN	COVER BEARING CASE	1			0.160	
060	19215-99160	OELDICHTUNGSRING	SEAL OIL	1			0.025	
070	15841-04822	DICHTUNGSPLATTE	GASKET	1			0.004	
090	01023-50622	BOLZEN	BOLT	16			0.005	
100	16851-04040	GRP.LAGERGEHAEUSE	ASSY CASE MAIN BRG.	1			0.580	
110	15841-04540	BOLZEN,LAGERKASTEN	BOLT BEARING CASE	2			0.012	
120	16861-04050	GRP.LAGERGEHAEUSE	ASSY CASE MAIN BRG.	1			0.580	
130	15841-04540	BOLZEN,LAGERKASTEN	BOLT BEARING CASE	2			0.012	
140	15841-04562	BOLZEN,LAGERKASTEN	BOLT BEARING CASE	2			0.020	

Update Date : 2015/11/26 Print Date : 2022/02/23





**Download the full PDF manual instantly.**

**Our customer service e-mail:**

**[aservicemanualpdf@yahoo.com](mailto:aservicemanualpdf@yahoo.com)**