



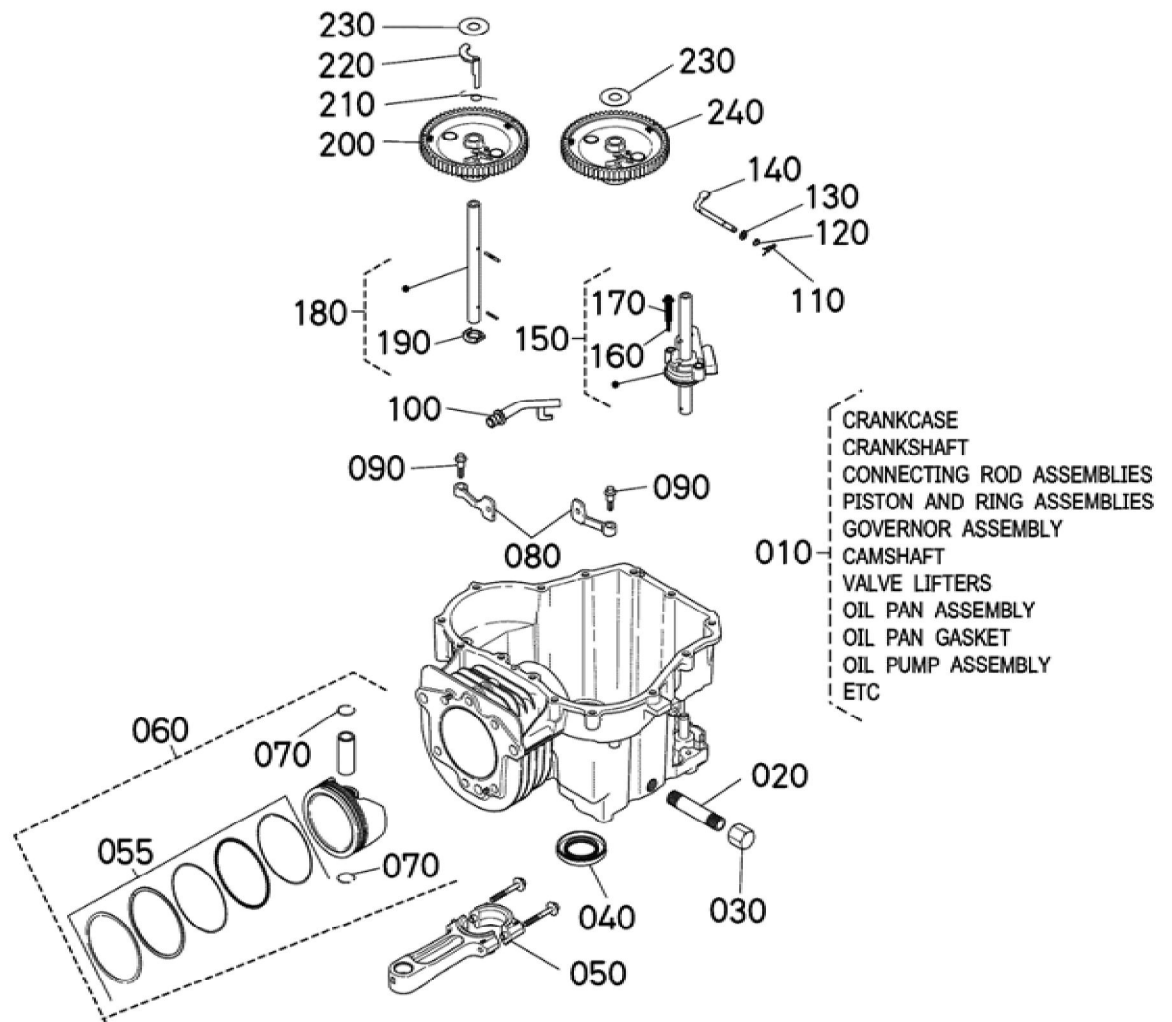
Update Date : 17-10-2019 Print Date : 10-03-2022

No.	Part Number	Part Name (POL)	Part Name (ENG)	QTY	IC	Serial No./PIN	Kg	Remarks
010	----	KURBELGEHAEUSE	CRANK CASE	1			0.000	
020	E7194-33730	NIPPEL	NIPPLE,PIPE	1			0.071	
030	E7189-96010	KAPPE	CAP,PIPE	1			0.050	
040	E7187-30010	DICHTRING	SEAL, OIL	1			0.026	
050	E7187-22130	GRP.STANGE N	ROD,CONNECTING ASSEMBLY	1			0.318	
060	E7187-30020	BAUSATZ, KOLBEN, RINGE & STIFTBAUGRUPPE 9	KIT, PISTON,RINGS & PIN ASSY 9	1			0.474	
070	E7187-22310	HALTESCHEIBE	RETAINER,PISTON PIN	2			0.002	
080	E7187-10100	NOCKENHEBEL	KIT,CAM LEVER	1			0.000	
090	E7187-22220	FLANSCHENBOLZEN	BOLT,FLANGE	2			0.010	M6*1.0*26
100	E7187-22090	ABLASSSCHLAUCH	TUBE,DRAIN BACK	1			0.010	
110	E7194-56150	SCHELLE	CLIP,HITCH PIN	1			0.003	
120	E7194-56160	SCHEIBE	WASHER,PLAIN 1/4"	1			0.002	1/4
130	E7194-56190	SCHEIBE	WASHER,PLAIN 6MM	1			0.003	6.0mm
140	E7187-22150	REGLERWELLE	SHAFT,GOVERNOR CROSS	1			0.023	
150	E7187-22160	GRP.PUMPE	KIT,PUMP	1			0.900	
160	E7187-30030	SCHRAUBE	SCREW, SHD THD FRM	2			0.000	
170	E7187-22170	DISTANZSCHEIBE	SPACER,SCREW	2			0.007	
180	E7187-22190	MONTAGEWELLE	KIT,CENTER SHAFT	1			0.170	
190	E7187-22200	DRUCKSCHEIBE	WASHER,THRUST	1			0.005	
200	E7187-30040	NOCKENGETRIEBEBAUGRUPPE (ANSAUGUNG)	CAM GEAR ASSEMBLY (I	1			0.367	

Update Date : 17-10-2019 Print Date : 10-03-2022

No.	Part Number	Part Name (POL)	Part Name (ENG)	QTY	IC	Serial No./PIN	Kg	Remarks
210	E7187-22240	FEDER	SPRING ACR	1			0.003	
220	E7187-30060	BAUSATZ, ACR- GEWICHT	KIT, ACR WEIGHT AND FOLLOWER	1			0.053	
230	E7187-22200	DRUCKSCHEI BE	WASHER,TH RUST	1			0.005	
240	E7187-30050	NOCKKENG TRIEBEBAU G RUPPE (ABGAS)	CAM GEAR ASSY (EXHAU	1			0.441	
250	E7187-22280	DRUCKSCHEI BE	WASHER,TH RUST ACR	1			0.005	

Update Date : 17-10-2019 Print Date : 10-03-2022



E7187-055-10

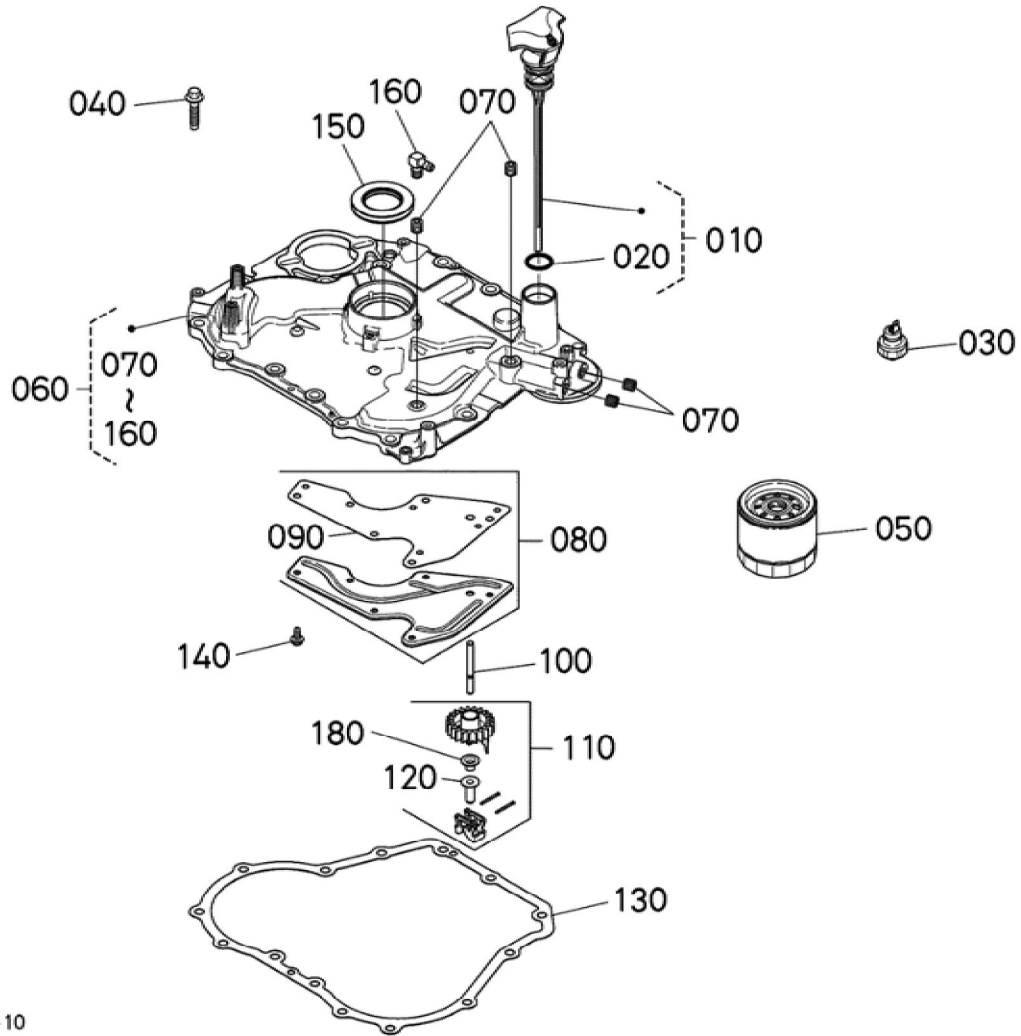
Update Date : 17-10-2019 Print Date : 10-03-2022

No.	Part Number	Part Name (POL)	Part Name (ENG)	QTY	IC	Serial No./PIN	Kg	Remarks
010	E7187-10000	SV470/620 KURZER BLOCK (	SV470/620SH ORTBLOCK (COMMON BOR	1			18.660	
020	E7194-33730	NIPPEL	NIPPLE,PIPE	1			0.071	
030	E7189-96010	KAPPE	CAP,PIPE	1			0.050	
040	E7187-30010	DICHTRING	SEAL, OIL	1			0.026	
050	E7187-22130	GRP.STANGE N	ROD,CONNE CTING ASSEMBLY	1			0.318	
055	E7187-22290	RINGSATZ (94MM)	RING SET (94MM)	1			0.040	
060	E7187-30020	BAUSATZ, KOLBEN, RINGE & STIFTBAUGR UPPE 9	KIT, PISTON,RING S & PIN ASSY 9	1			0.474	
070	E7187-22310	HALTESCHEI BE	RETAINER,PI STON PIN	2			0.002	
080	E7187-10100	NOCKENHEB EL	KIT,CAM LEVER	2			0.000	
090	E7187-22220	FLANSCHEN- BOLZEN	BOLT,FLANG E	2			0.010	M6*1.0*26
100	E7187-22090	ABLASSSCHL AUCH	TUBE,DRAIN BACK	1			0.010	
110	E7194-56150	SCHELLE	CLIP,HITCH PIN	1			0.003	
120	E7194-56160	SCHEIBE	WASHER,PLA IN 1/4"	1			0.002	1/4
130	E7194-56190	SCHEIBE	WASHER,PLA IN 6MM	1			0.003	6.0mm
140	E7187-22150	REGLERWEL LE	SHAFT,GOVE RNOR CROSS	1			0.023	
150	E7187-22160	GRP.PUMPE	KIT,PUMP	1			0.900	
160	E7187-22180	FLANSCHEN- BOLZEN	SCREW,OIL PUMP	2			0.008	
170	E7187-22170	DISTANZSCH EIBE	SPACER,SCR EW	2			0.007	
180	E7187-22190	MONTAGE WELLE	KIT,CENTER SHAFT	1			0.170	
190	E7187-22200	DRUCKSCHEI BE	WASHER,TH RUST	1			0.005	

Update Date : 17-10-2019 Print Date : 10-03-2022

No.	Part Number	Part Name (POL)	Part Name (ENG)	QTY	IC	Serial No./PIN	Kg	Remarks
200	E7187-10250	NOCKENGET RIEBEBAUGR UPPE, AUSLASS	CAM GEAR ASSEMBLY, EXHAUST	1			0.000	
210	E7187-22240	FEDER	SPRING ACR	1			0.003	
220	E7187-30060	BAUSATZ, ACR- GEWICHT	KIT, ACR WEIGHT AND FOLLOWER	1			0.053	
230	E7187-22280	DRUCKSCHEI BE	WASHER,TH RUST ACR	2			0.005	
240	E7187-10240	NOCKENGET RIEBEBAUGR UPPE, EINLASS	CAM GEAR ASSEMBLY, INTAKE	1			0.000	

Update Date : 17-10-2019 Print Date : 10-03-2022

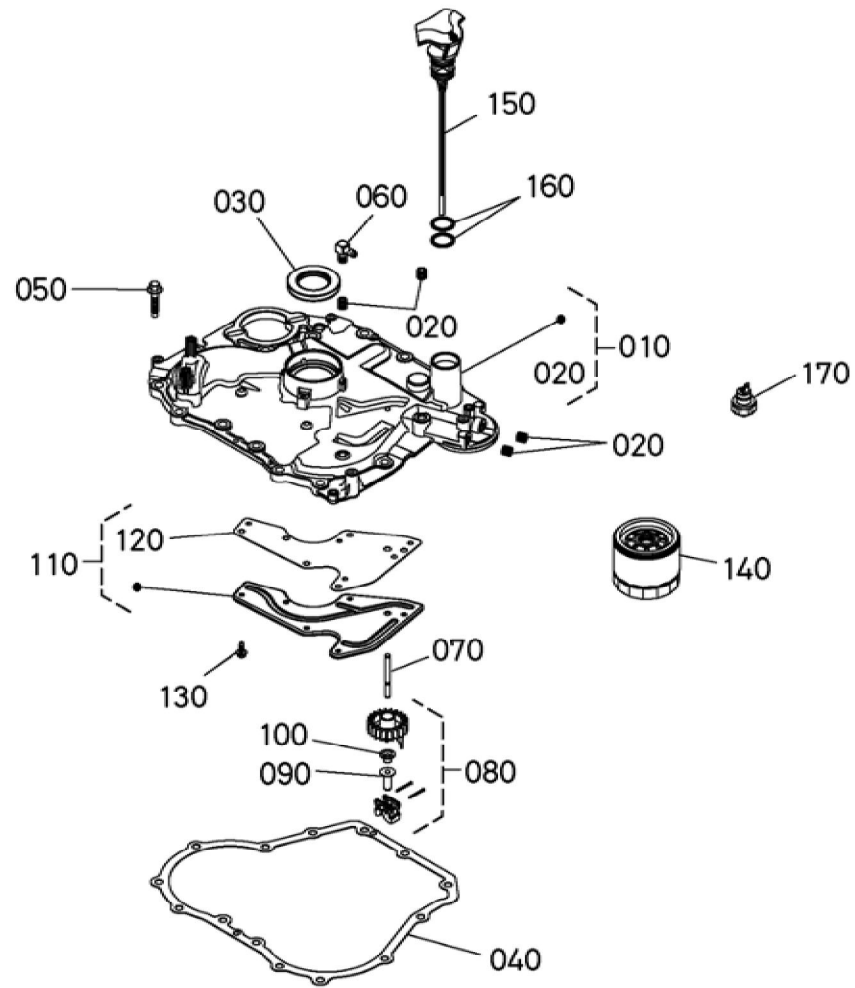


Update Date : 17-10-2019 Print Date : 10-03-2022

No.	Part Number	Part Name (POL)	Part Name (ENG)	QTY	IC	Serial No./PIN	Kg	Remarks
010	E7187-30090	STAB, PEILSTABBA UGRUPPE	BLADE, DIPSTICK ASSEMBLY	1			0.040	
020	E7187-30100	O RING	O-RING	1			0.004	
030	E7185-39010	SCHALTER	SWITCH,OIL PRESSURE	1			0.034	
040	E7187-32130	FLANSCHEN- BOLZEN	HEX FLANGE SCREW 1/2	14			0.018	
050	E7188-32110	OELFILTER	FILTER,OIL	1			0.270	
060	E7187-32050	GRP.PLATTE	CLOSURE PLATE ASSEMB	1			2.550	
070	E7194-96030	STOPFEN	PLUG,PIPE HEX.CTSK.1/8 "N.P.T.F	4			0.006	1/8
080	E7187-32070	DECKEL	COVER	1			0.182	
090	E7187-32080	DICHTUNGSP LATTE	GASKET,OIL PASS	1			0.023	
100	E7187-32090	REGLERWEL LE	SHAFT,GOVE RNOR	1			0.012	
110	E7187-32110	REGLERGET RIEBE KOMP	GOVERNOR GEAR ASSEMB	1			0.048	
120	E7194-55450	STIFT	PIN,GOVERN OR REGULATING	1			0.006	
130	E7187-32060	DICHTUNGSP LATTE	GASKET,PLA TE	1			0.095	
140	E7185-35170	FLANSCHEN- BOLZEN	BOLT,FLANG E	6			0.006	M5*0.8*13
150	E7187-30010	DICHTRING	SEAL, OIL	1			0.026	
160	E7194-43910	SCHALTUNG	CONNECTOR	1			0.016	
180	E7187-10110	STIFT	PIN,GOVERN OR REGULATING 2	1			0.000	



Update Date : 17-10-2019 Print Date : 10-03-2022

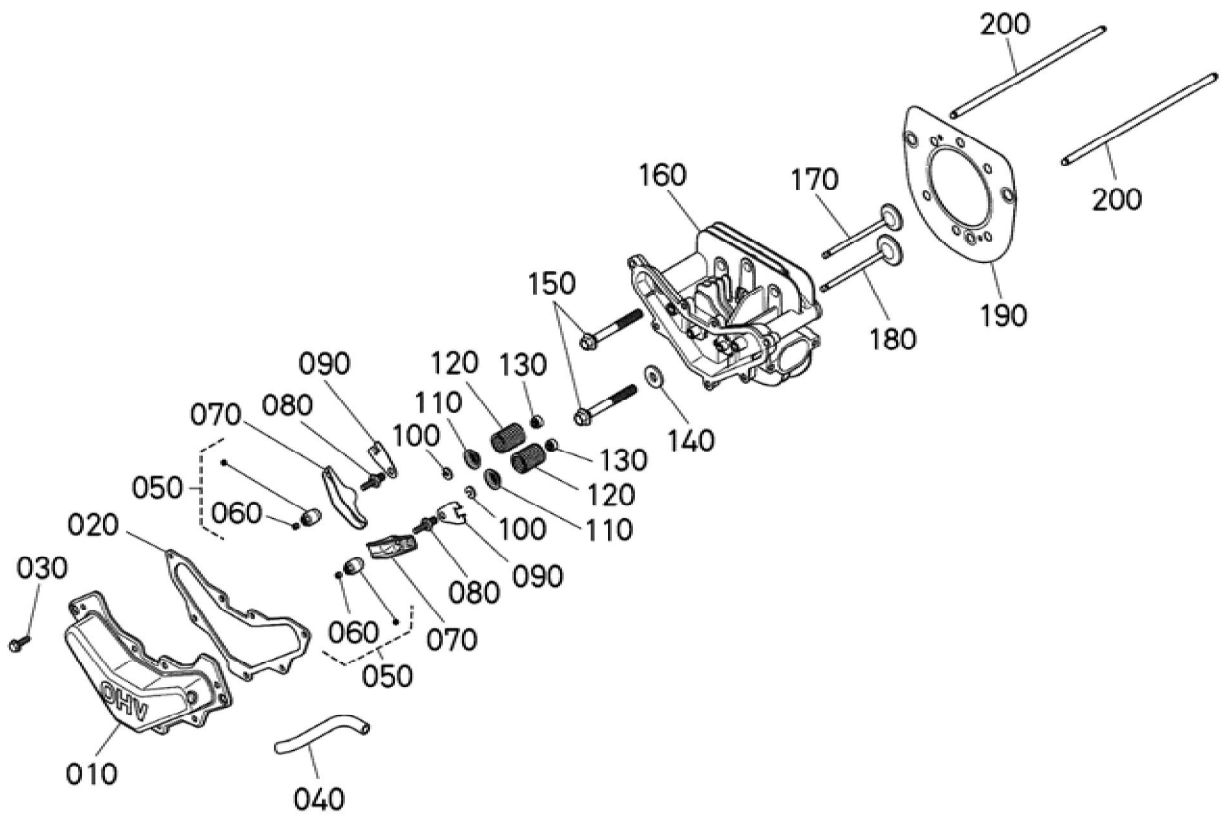


E7187-044-10

Update Date : 17-10-2019 Print Date : 10-03-2022

No.	Part Number	Part Name (POL)	Part Name (ENG)	QTY	IC	Serial No./PIN	Kg	Remarks
010	E7187-10230	PLATTE, VERSCHLUS SBAUGRUPP E	PLATE, CLOSURE ASSEMBLY	1			0.000	
020	E7194-96030	STOPFEN	PLUG,PIPE HEX.CTSK.1/8 "N.P.T.F	4			0.006	1/8
030	E7187-30010	DICHTRING	SEAL, OIL	1			0.026	
040	E7187-10280	DICHTUNG, VERSCHLUS SPLATTE	GASKET, CLOSURE PLATE	1			0.000	
050	E7187-10420	SCHRAUBE, SECHSKANT FLANSCH	SCREW, HEX FLANGE	14			0.000	
060	E7194-43910	SCHALTUNG	CONNECTOR	1			0.016	
070	E7187-32090	REGLERWEL LE	SHAFT,GOVE RNOR	1			0.012	
080	E7187-10440	SATZ, GETRIEBEBE GRENZERBA UGRUPPE	KIT, GOVERNOR GEAR ASSEMBLY	1			0.044	
090	E7194-55450	STIFT	PIN,GOVERN OR REGULATING	1			0.006	
100	E7187-10110	STIFT	PIN,GOVERN OR REGULATING 2	1			0.000	
110	E7187-32070	DECKEL	COVER	1			0.182	
120	E7187-32080	DICHTUNGSP LATTE	GASKET,OIL PASS	1			0.023	
130	E7185-35170	FLANSCHEN- BOLZEN	BOLT,FLANG E	6			0.006	M5*0.8*13
140	E7188-32110	OELFILTER	FILTER,OIL	1			0.270	
150	E7187-30090	STAB, PEILSTABBA UGRUPPE	BLADE, DIPSTICK ASSEMBLY	1			0.040	
160	E7187-30100	O RING	O-RING	2			0.004	
170	E7185-39010	SCHALTER	SWITCH,OIL PRESSURE	1			0.034	

Update Date : 17-10-2019 Print Date : 10-03-2022



E7187-034-10

Update Date : 17-10-2019 Print Date : 10-03-2022

No.	Part Number	Part Name (POL)	Part Name (ENG)	QTY	IC	Serial No./PIN	Kg	Remarks
010	E7187-10120	GRP.DECKEL	COVER,ASSEMBLY VALVE	1			0.000	
020	E7187-42020	DICHTUNGSPLATTE	GASKET,VALVE COVER	1			0.028	
030	E7182-00330	SCHRAUBE	SCREW,THREAD FORMING	7			0.000	
040	E7187-42040	SCHLAUCH	HOSE,BREATHING	1			0.016	
050	E7187-42030	GRP.KIPPHEBEL	ROCKER PIVOT ASSEMBLY	2			0.021	
060	E7187-42060	BOLZEN	SCREW,SET	4			0.002	
070	E7187-42070	KIPPHEBEL	ROCKER ARM	2			0.040	
080	E7187-42080	STEBBOLZEN	STUD,ROCKER	2			0.013	
090	E7187-42090	PLATTE	PLATE,GUIDE	2			0.008	
100	E7187-42100	VERSCHLUSSES	LOCK,RETAINER	2			0.004	
110	E7187-42110	KAPPE	CAP,VALVE SPRING	2			0.007	
120	E7187-42120	VENTILFEDER	SPRING,VALVE	2			0.022	
130	E7187-30120	VENTILDICHTUNG	SEAL, VALVE STEM	1			0.005	
140	E7194-03540	SCHEIBE	WASHER,PLAIN 13/32"	1			0.012	13/32
150	E7187-42130	FLANSCHENBOLZEN	SCREW,M10X 1.5X80	6			0.052	M10*1.5*80
160	E7187-30110	BAUSATZ, ZYLINDERKOPF	KIT, CYLINDER HEAD	1			2.190	
170	E7187-42160	AUSLASSVENTIL	VALVE,EXHAUST	1			0.052	
180	E7187-42170	EINLASSVENTIL	VALVE,INTAKE	1			0.060	
190	E7187-42140	GRP.DICHTUNGSPLATTE	KIT,CYLINDER HEAD GASKET	1			0.622	
200	E7187-30130	STOESSEL	ROD, PUSH	2			0.041	



**Download the full PDF manual instantly.**

**Our customer service e-mail:**

**[aservicemanualpdf@yahoo.com](mailto:aservicemanualpdf@yahoo.com)**