

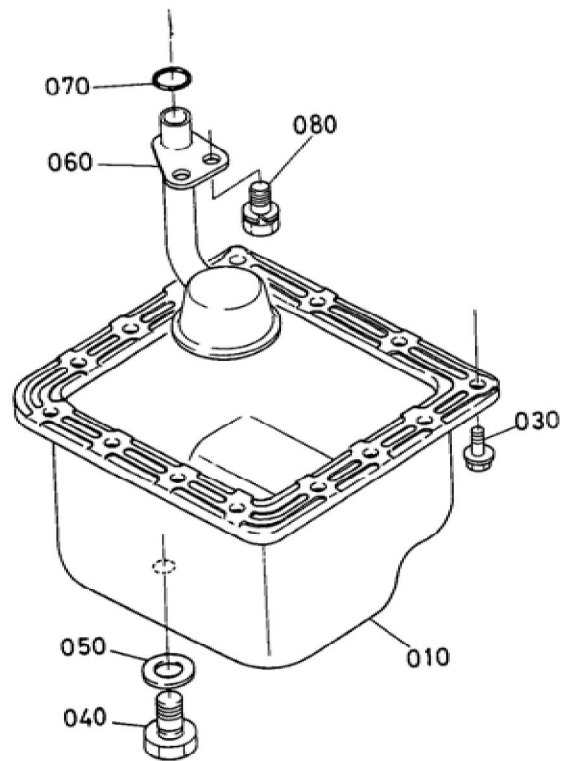
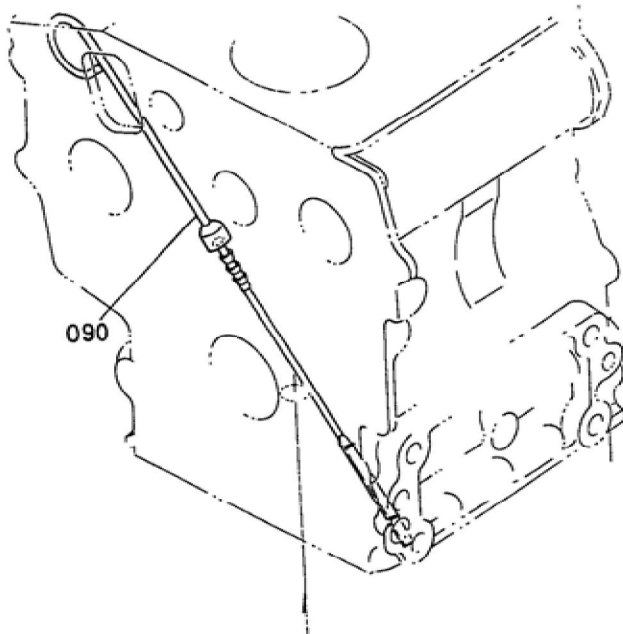
## BKIDK0374 &gt;&gt; T1600H-G &gt;&gt; MOTOR / MOTEUR &gt;&gt; T01000 KURBELGEHAEUSE / CRANKCASE

Update Date : 26-11-2015 Print Date : 10-03-2022

No.	Part Number	Part Name (POL)	Part Name (ENG)	QTY	IC	Serial No./PIN	Kg	Remarks
010	16851-01010	KOMP.KURBELGEHAEUSE	COMP.CRANKCASE	1		<=169246	0.000	
010	16851-01012	KOMP.KURBELGEHAEUSE	COMP.CRANKCASE	1	>>	=>169247	16.200	
020	16851-96260	KAPPE	CAP SEALING	3			0.005	
030	16851-96270	KAPPE	CAP SEALING	3			0.005	
040	15451-96270	KAPPE	CAP SEALING	2			0.010	
050	15261-96010	STOPFEN	PLUG	4			0.002	
060	15521-96020	STOPFEN	PLUG	3			0.003	
070	15521-96030	STOPFEN	PLUG	1			0.007	
080	15261-96160	STOPFEN	PLUG	1			0.020	
090	05012-00508	ZYLINDERSTIFT	PIN STRAIGHT	2			0.001	
100	05012-00814	ZYLINDERSTIFT	PIN STRAIGHT	2			0.006	
110	15221-33650	ROHRSTIFT	PIN PIPE	1			0.004	
120	15231-33960	ROHRSTIFT	PIN PIPE	2			0.001	
130	17331-59190	ROHRSTIFT	PIN PIPE	2			0.002	
140	16851-16210	DECKEL	COVER FUEL CAMSHAFT	1		<=746723	0.000	
140	16851-16212	DECKEL	COVER FUEL CAMSHAFT	1	>>	=>746724	0.030	
150	15221-33700	O RING	O RING	1			0.001	
160	15841-73020	GRP.ABLASSHAHN	ASSY COCK DRAIN	1			0.030	
170	16851-35010	GRP.OELPUMPE	ASSY PUMP OIL	1			0.240	
180	16851-35150	DICHTUNG,OELPUMPE	GASKET OIL PUMP	1		<=766820	0.000	
180	16851-35152	DICHTUNG,OELPUMPE	GASKET OIL PUMP	1	>>	=>766821	0.001	
180	15862-35150	DICHTUNG,OELPUMPE	GASKET OIL PUMP	1		<=746723	0.000	
180	16851-35152	DICHTUNG,OELPUMPE	GASKET OIL PUMP	1	=	=>746724	0.001	
190	15841-91050	BOLZEN	BOLT	3			0.010	
200	15841-35660	ZAHNRAD	GEAR OIL PUMP DRIVE	1			0.113	

Update Date : 26-11-2015 Print Date : 10-03-2022

No.	Part Number	Part Name (POL)	Part Name (ENG)	QTY	IC	Serial No./PIN	Kg	Remarks
210	05712-00408	KEIL	KEY FEATHER	1			0.001	
220	02783-50100	MUTTER	NUT FLANGE	1			0.010	
230	15531-39010	OELDRUCKS CHALTER	SWITCH OIL	1			0.032	



16851-002-10

## BKIDK0374 &gt;&gt; T1600H-G &gt;&gt; MOTOR / MOTEUR &gt;&gt; T02000 OELWANNE / OIL PAN

Update Date : 26-11-2015 Print Date : 10-03-2022

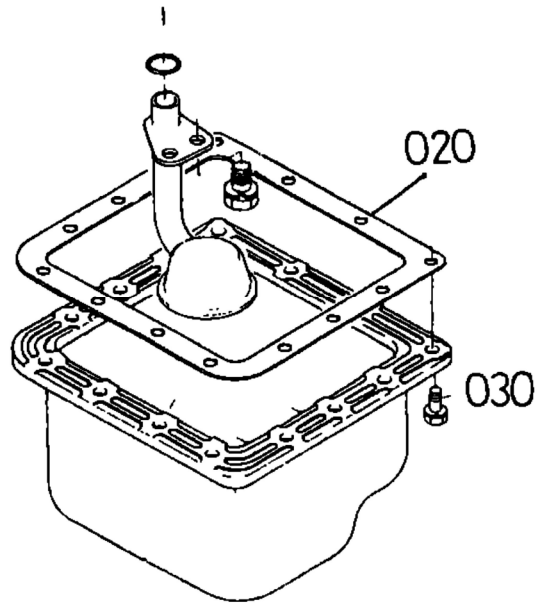
No.	Part Number	Part Name (POL)	Part Name (ENG)	QTY	IC	Serial No./PIN	Kg	Remarks
010	15852-01500	KOMP.OELW ANNE	COMP.OIL PAN	1			0.800	
030	01023-50612	BOLZEN	BOLT	14		<=169255	0.005	
030	01754-50610	SCHRAUBE	BOLT FLANGE	14	NI	=>169256	0.006	
040	15221-33750	STOPFEN	PLUG	1			0.032	
050	15109-33660	DICHTUNGSP LATTE	GASKET	1			0.001	
060	16851-32110	OELFILTER	FILTER OIL	1			0.110	
070	04811-00160	O RING	RING	1			0.001	
080	01123-50814	BOLZEN	BOLT	1			0.010	
090	16851-36410	OELMESSST AB	GAUGE OIL	1			0.030	

Update Date : 26-11-2015 Print Date : 10-03-2022

020 15841-0162-0

020 19461-0162-0

030 01023-50612

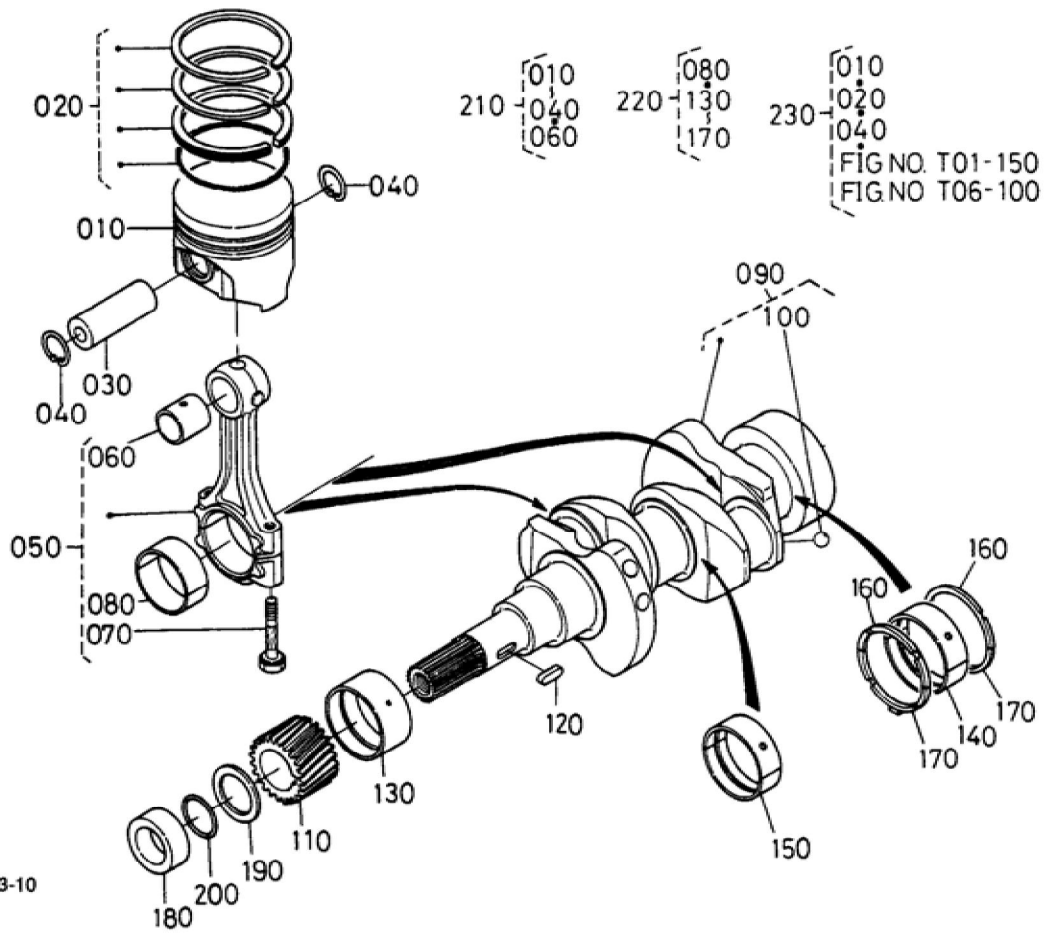


## BKIDK0374 &gt;&gt; T1600H-G &gt;&gt; MOTOR / MOTEUR &gt;&gt; T02000 OELWANNE / OIL PAN

Update Date : 26-11-2015 Print Date : 10-03-2022

No.	Part Number	Part Name (POL)	Part Name (ENG)	QTY	IC	Serial No./PIN	Kg	Remarks
020	15841-01620	DICHTUNG	GASKET OIL PAN	1		<=169255	0.000	
020	19461-01620	DICHTUNG	GASKET OIL PAN	1		<=169255	0.020	
030	01023-50612	BOLZEN	BOLT	14		<=169255	0.005	
030	01754-50610	SCHRAUBE	BOLT FLANGE	14	NI	=>169256	0.006	

Update Date : 26-11-2015 Print Date : 10-03-2022





Update Date : 26-11-2015 Print Date : 10-03-2022

No.	Part Number	Part Name (POL)	Part Name (ENG)	QTY	IC	Serial No./PIN	Kg	Remarks
010	16851-21110	KOLBEN	PISTON	2		<=193249	0.000	STD
010	16851-21112	KOLBEN	PISTON	2	>>	=>193250	0.230	STD
010	16851-21910	KOLBEN	PISTON	2		<=193249	0.000	+0.5MM
010	16851-21912	KOLBEN	PISTON	2	>>	=>193250	0.000	+0.5MM
010	16851-21900	KOLBEN	PISTON	2		=>193250	0.260	+0.25MM
020	16851-21050	GRP.KOLBEN RING	ASSY PISTON RING	2		<=193249	0.000	STD
020	16851-21052	GRP.KOLBEN RING	ASSY PISTON RING	2	>>	=>193250	0.040	STD
020	16853-21050	GRP.KOLBEN RING	ASSY PISTON RING	2	=	=>732674	0.040	STD
020	16851-21090	GRP.KOLBEN RING	ASSY PISTON RING	2		<=193249	0.000	+0.5MM
020	16851-21092	GRP.KOLBEN RING	ASSY PISTON RING	2	>>	=>193250	0.000	+0.5MM
020	16851-21093	GRP.KOLBEN RING	ASSY PISTON RING	1	>>	=>248677	0.030	+0.25MM
030	16851-21310	KOLBENBOLZEN	PIN PISTON	2			0.100	
040	15261-21330	SEEGERING	CIRCLIP PISTON PIN	4			0.001	
050	16851-22010	PLEUELSTANGE KOMP.	ASSY CONNECTING ROD	2			0.330	
060	16851-21980	BUCHSE,KOLBENSTIFT	BUSH PISTON PIN	2			0.010	
070	16851-22140	BOLZEN	BOLT CONNECTING ROD	4			0.012	
080	16851-22320	LAGERSCHALE	METAL CRANKPIN M	2			0.040	STD SET
080	15861-22970	LAGERSCHALE	METAL CRANKPIN	2			0.030	-0.2MM SET
080	15861-22980	LAGERSCHALE	METAL CRANKPIN	2			0.030	-0.4MM SET
090	16851-23010	KOMP.KURBELWELLE	COMP.CRANKSHAFT	1			4.000	
100	07715-03207	KUGEL	BALL	2			0.001	
110	15841-24110	ZAHNRAD	GEAR CRANKSHAFT	1			0.140	

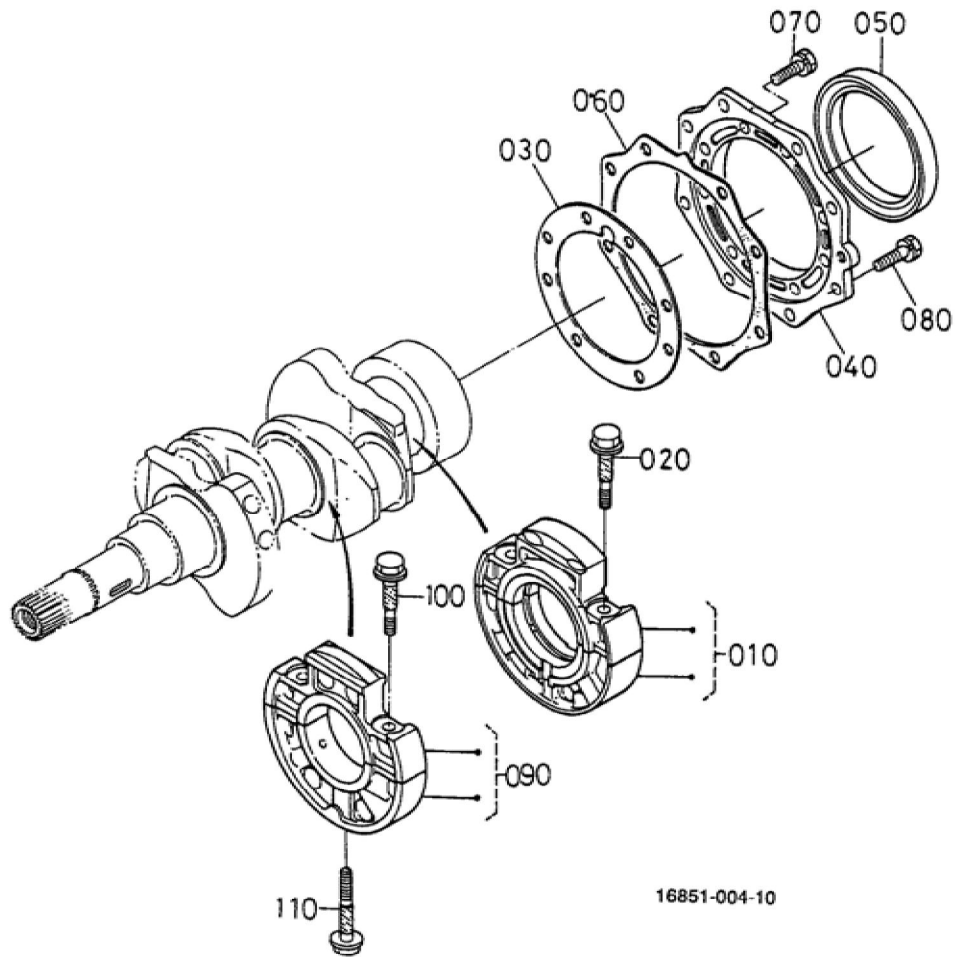
Update Date : 26-11-2015 Print Date : 10-03-2022

No.	Part Number	Part Name (POL)	Part Name (ENG)	QTY	IC	Serial No./PIN	Kg	Remarks
120	05712-00515	KEIL	KEY FEATHER	1			0.003	
130	15861-23470	LAGERSCHALE	METAL CRANKSHAFT	1			0.030	STD
130	15861-23910	LAGERSCHALE	METAL CRANKSHAFT	1			0.040	-0.2MM
130	15861-23920	LAGERSCHALE	METAL CRANKSHAFT	1			0.040	-0.4MM
140	16861-23480	LAGERSCHALE	METAL CRANKSHAFT M	1			0.030	STD SET
140	15694-23930	LAGERSCHALE	METAL CRANKSHAFT	1			0.040	-0.2MM SET
140	15694-23940	LAGERSCHALE	METAL CRANKSHAFT	1			0.046	-0.4MM SET
150	16861-23490	LAGERSCHALE	METAL CRANKSHAFT M	1			0.020	STD SET
150	15861-23860	LAGERSCHALE	METAL CRANKSHAFT	1			0.030	-0.2MM SET
150	15861-23870	LAGERSCHALE	METAL CRANKSHAFT	1			0.030	-0.4MM SET
160	15261-23530	LAGERSCHALE	METAL SIDE	2			0.006	STD
160	15261-23950	LAGERSCHALE	METAL SIDE	2			0.006	+0.2MM
160	15261-23960	LAGERSCHALE	METAL SIDE	2			0.007	+0.4MM
170	15261-23540	LAGERSCHALE	METAL SIDE	2			0.007	STD
170	15261-23970	LAGERSCHALE	METAL SIDE	2			0.006	+0.2MM
170	15261-23980	LAGERSCHALE	METAL SIDE	2			0.007	+0.4MM
180	15841-23250	HALSRING	COLLAR CRANKSHAFT	1			0.050	
190	15881-23310	OELABSTREIFRING	SLINGER OIL	1			0.004	
200	04811-16220	O RING	RING	1			0.001	

Update Date : 26-11-2015 Print Date : 10-03-2022

No.	Part Number	Part Name (POL)	Part Name (ENG)	QTY	IC	Serial No./PIN	Kg	Remarks
210	07916-28460	KOLBEN UND RINGSATZ	KIT COMBINATIO N STD	1			0.380	STD
210	07916-28470	KOLBEN UND RINGSATZ	KIT COMBINATIO N 0.25	1			0.100	+0.25MM
220	07916-28190	LAGERSCHA LEN KIT STD.	ENGINE METAL KIT STD	1			0.165	STD
230	16851-21000	KOLBEN KIT	KIT PISTON	1		=>193250	0.760	
230	16853-21000	GRP.KOLBEN	KIT PISTON	1	=	=>732346	0.850	

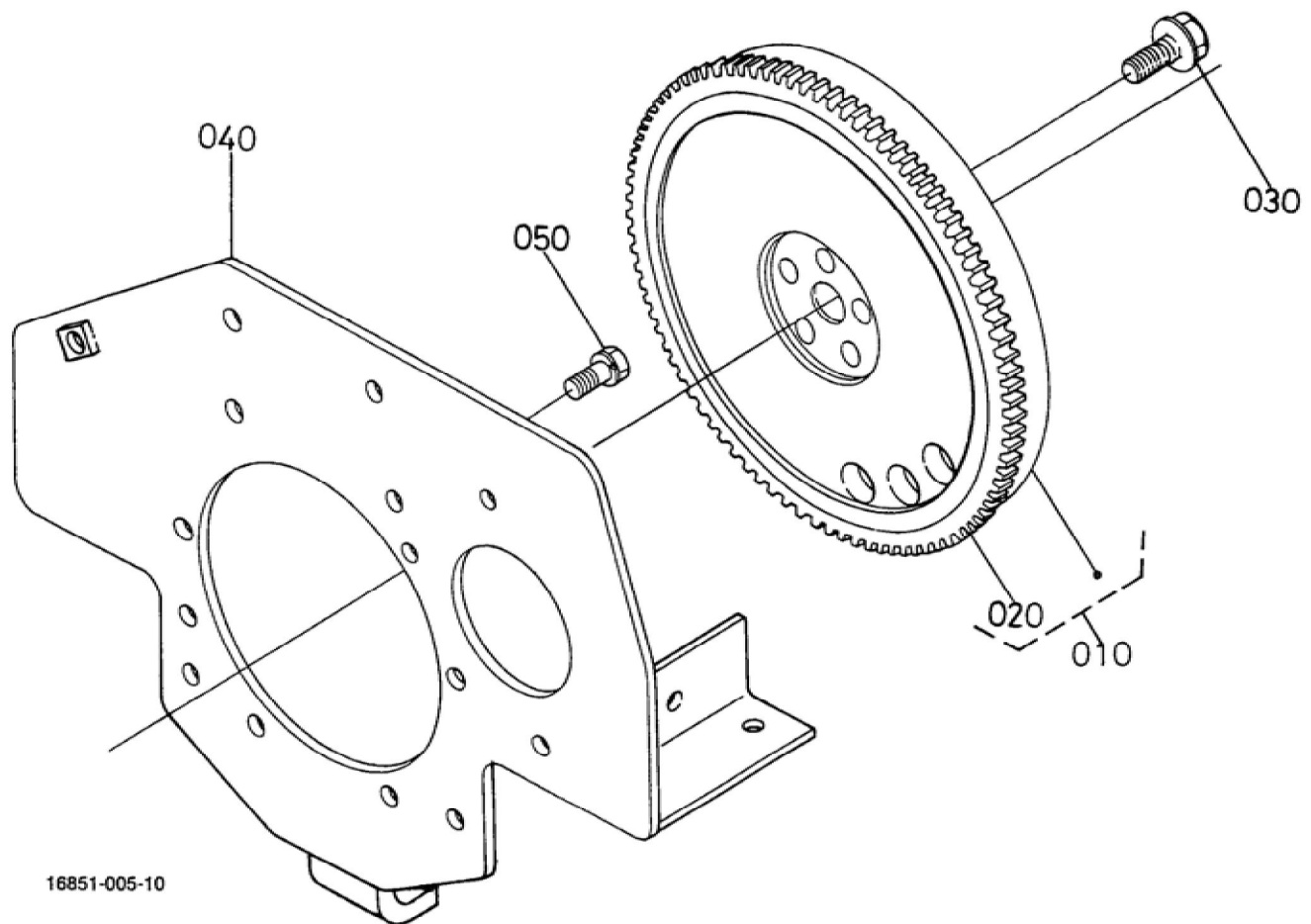
Update Date : 26-11-2015 Print Date : 10-03-2022



16851-004-10

Update Date : 26-11-2015 Print Date : 10-03-2022

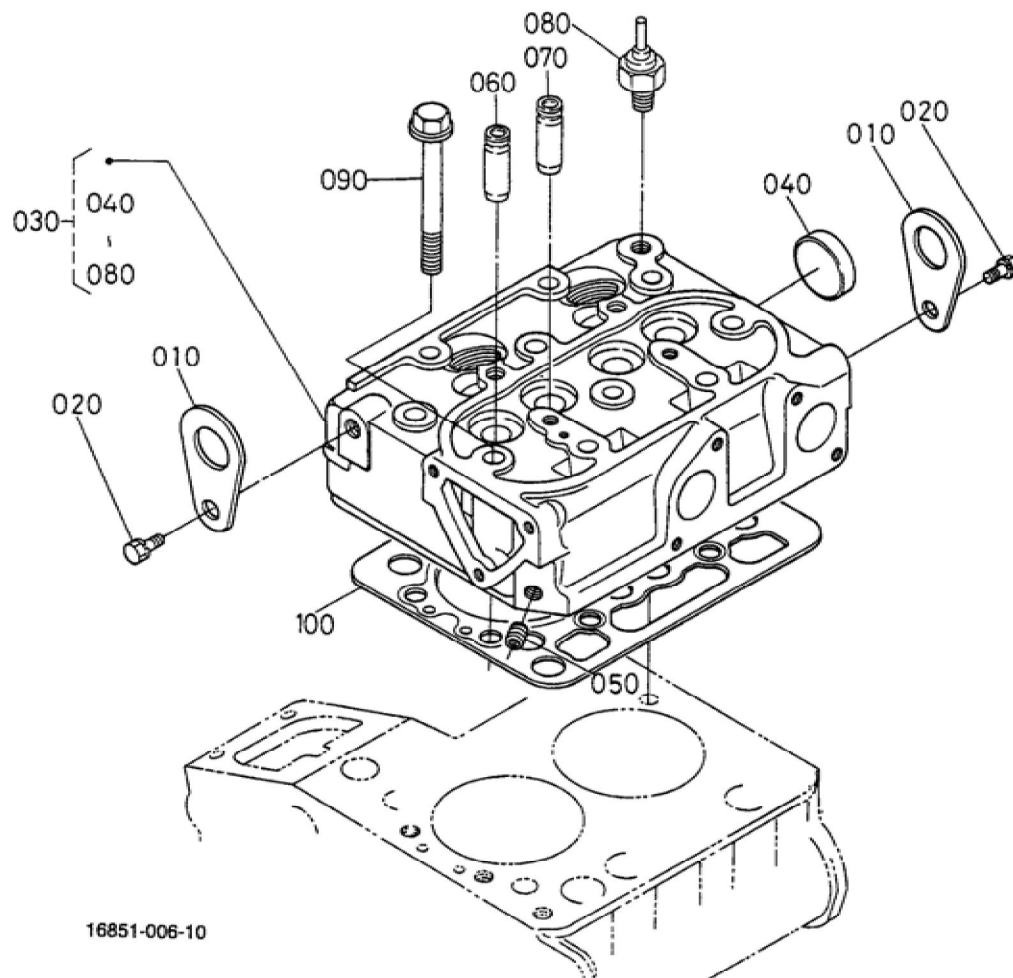
No.	Part Number	Part Name (POL)	Part Name (ENG)	QTY	IC	Serial No./PIN	Kg	Remarks
010	16851-04090	GRP.LAGERG EHAEUSE	ASSY CASE MAIN BRG.	1			0.000	
020	15841-04540	BOLZEN,LAG ERKASTEN	BOLT BEARING CASE	2			0.012	
030	15841-04360	DICHTUNG,L AGER	GASKET BRG.CASE	1		<=771520	0.000	
030	15852-04360	DICHTUNG,L AGER	GASKET BRG.CASE	1	>>	=>771521	0.005	
030	15862-04360	DICHTUNG	GASKET BRG.CASE	1		<=771520	0.000	
030	15852-04360	DICHTUNG,L AGER	GASKET BRG.CASE	1	=	=>771521	0.005	
040	15841-04810	DECKEL,LAG ERKASTEN	COVER BEARING CASE	1			0.160	
050	09560-00007	OELDICHTUN GSRING	SEAL OIL	1			0.029	
060	15841-04820	DICHTUNGSP LATTE	GASKET BRG.CASE COV.	1		<=771520	0.000	
060	15841-04822	DICHTUNGSP LATTE	GASKET BRG.CASE COV.	1	>>	=>771521	0.004	
060	15862-04820	DICHTUNG	GASKET BRG.CASE COV.	1		<=771520	0.000	
060	15841-04822	DICHTUNGSP LATTE	GASKET BRG.CASE COV.	1	=	=>771521	0.004	
070	01023-50620	BOLZEN	BOLT	8			0.006	
080	01023-50622	BOLZEN	BOLT	8			0.005	
090	16851-04040	GRP.LAGERG EHAEUSE	ASSY CASE MAIN BRG.	1			0.580	
100	15841-04540	BOLZEN,LAG ERKASTEN	BOLT BEARING CASE	2			0.012	
110	15841-04562	BOLZEN,LAG ERKASTEN	BOLT BEARING CASE	1			0.020	



## BKIDK0374 &gt;&gt; T1600H-G &gt;&gt; MOTOR / MOTEUR &gt;&gt; T05000 SCHWUNGRAD / FLYWHEEL

Update Date : 26-11-2015 Print Date : 10-03-2022

No.	Part Number	Part Name (POL)	Part Name (ENG)	QTY	IC	Serial No./PIN	Kg	Remarks
010	16851-25010	KOMP.SCHWUNGRAD	COMP.FLYWHEEL	1			5.900	
020	16851-63820	ZAHNKRANZ	GEAR RING	1			0.560	
030	15852-25160	BOLZEN,SCHWUNGRAD	BOLT FLYWHEEL	5			0.025	
040	66091-58020	ENDPLATTE	PLATE REAR END	1			2.300	
050	01123-60816	SCHRAUBE	BOLT	10			0.010	



16851-006-10



## BKIDK0374 &gt;&gt; T1600H-G &gt;&gt; MOTOR / MOTEUR &gt;&gt; T06000 ZYLINDERKOPF / CYLINDER HEAD

Update Date : 26-11-2015 Print Date : 10-03-2022

No.	Part Number	Part Name (POL)	Part Name (ENG)	QTY	IC	Serial No./PIN	Kg	Remarks
010	15841-01750	MOTORHAKEN	HOOK ENGINE	2			0.000	
020	01123-50814	BOLZEN	BOLT	2			0.010	
030	16851-03040	KOMP.ZYLINDERKOPF	COMP.CYLINDER HEAD	1		<=228158	0.000	
030	16851-03042	KOMP.ZYLINDERKOPF	COMP.CYLINDER HEAD	1	=	=>228159	5.400	
030	16851-03043	KOMP.ZYLINDERKOPF	COMP.CYLINDER HEAD	1	NI	=>489916	5.300	
040	15321-96260	KAPPE	CAP SEALING	1			0.014	
050	15261-96010	STOPFEN	PLUG	1			0.002	
060	15841-13540	EINLASSVENTILFUEHRUNG	GUIDE INLET VALVE	2			0.014	
070	15841-13560	AUSLASSVENTILFUEHRUNG	GUIDE EXHAUST VALVE	2			0.014	
080	66021-55330	THERMOSTAT	SENSOR THERMO	1			0.010	
090	14601-03450	ZYLINDERKOPFSCHRAUBE	BOLT CYLINDER HEAD	10			0.035	
100	16851-03310	ZYLINDERKOPFDICHTUNG	GASKET CYLINDER HEAD	1			0.050	



**Download the full PDF manual instantly.**

**Our customer service e-mail:**

**[aservicemanualpdf@yahoo.com](mailto:aservicemanualpdf@yahoo.com)**