

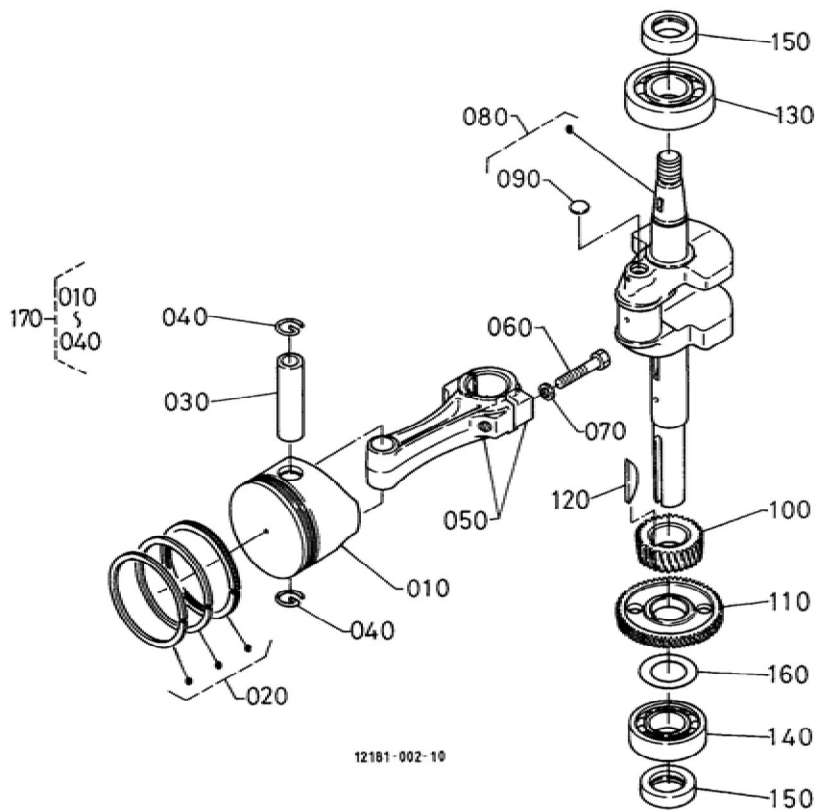
Update Date : 12-03-2015 Print Date : 10-03-2022

No.	Part Number	Part Name (POL)	Part Name (ENG)	QTY	IC	Serial No./PIN	Kg	Remarks
010	12181-01052	KURBELGEH AUSE DECKEL	ASSY COVER CRANKCASE	1		<=813647	1.940	
010	12181-01054	KURBELGEH AUSE DECKEL	ASSY COVER CRANKCASE	1	>>	=>813648	0.000	
020	12181-01180	DICHTUNG	GASKET CRANKCASE	1			0.000	
030	05012-00818	ZYLINDERSTI FT	PIN STRAIGHT	2			0.013	
040	12181-91110	BOLZEN	BOLT	9			0.020	
050	12181-02110	ZYLINDER- BLOCK	BLOCK CYLINDER	1			6.400	
060	12181-03043	KOMP.ZYLIN DERKOPF	COMP.CYLIN DER HEAD	1			2.290	
070	12181-13540	EINLASSVEN TILFUEHRUN G	GUIDE INTAKE VALVE	1		<=553712	0.020	
070	12181-13950	EINLASSVEN TILFUHRUNG	GUIDE INTAKE VALVE	1	>>	=>553713	0.020	
080	12181-13562	AUSLASSVEN TILFUEHRUN G	GUIDE EXHAUST VALVE	1		<=553712	0.022	
080	12181-13960	AUSLASSVEN TILFUHRUNG	GUIDE EXHAUST VALVE	1	>>	=>553713	0.100	
090	12181-13110	EINLASSVEN TIL	VALVE INTAKE	1			0.000	
100	12181-13120	AUSLASSVEN TIL	VALVE EXHAUST	1		<=553712	0.000	
100	12181-13122	AUSLASSVEN TIL	VALVE EXHAUST	1	>>	=>553713	0.063	
110	12181-13570	RING,VENTIL FUEHRUNG	RING VALVE GUIDE	2			0.001	
120	12181-13240	VENTIL- FEDER	SPRING VALVE	2			0.032	
130	12181-13340	HALTER, EINLASSFED ER	RETAINER IN- SPRING	1			0.020	
140	12181-13330	HALTER, AUSLASSFED ER	RETAINER EX -SPRING	1			0.020	
150	15221-13980	KLEMMSCHEI BE	COLLET VALVE SPRING	1			0.005	SET

Update Date : 12-03-2015 Print Date : 10-03-2022

No.	Part Number	Part Name (POL)	Part Name (ENG)	QTY	IC	Serial No./PIN	Kg	Remarks
160	15261-13360	KLEMMSCHEIBE	COLLET VALVE SPRING	1			0.001	SET
170	12181-13150	VENTILDICHTUNG	SEAL VALVE STEM	1			0.002	
180	12181-13410	SCHEIBE	WASHER VALVE SPRING	2			0.002	
190	12181-03310	ZYLINDERKOPFDICHTUNG	GASKET CYLINDER HEAD	1			0.008	
200	12181-94540	SCHLAUCHHUELSE	PIPE KNOCK	2			0.003	
210	12181-03450	ZYLINDERKOPFSCHRAUBE	BOLT CYLINDER HEAD	2		<=562731	0.042	
210	12627-03450	ZYLINDERKOPFSCHRAUBE	BOLT CYLINDER HEAD	2	NI	=>562732	0.040	
220	12181-03460	ZYLINDERKOPFSCHRAUBE	BOLT CYLINDER HEAD	2		<=562731	0.054	
220	12181-03462	ZYLINDERKOPFSCHRAUBE	BOLT CYLINDER HEAD	2	NI	=>562732	0.060	
230	12181-03470	ZYLINDERKOPFSCHRAUBE	BOLT CYLINDER HEAD	1		<=562731	0.070	
230	12181-03472	ZYLINDERKOPFSCHRAUBE	BOLT CYLINDER HEAD	1	NI	=>562732	0.074	
240	01754-50850	SCHRAUBE	BOLT FLANGE	1			0.022	
250	12181-03540	SCHEIBE	WASHER HEAD BOLT	2			0.002	
260	12181-03020	GRP.ZYLINDERKOPF	ASSY CYLINDER HEAD	1		<=553712	0.000	
260	12181-03022	GRP.ZYLINDERKOPF	ASSY CYLINDER HEAD	1	>>	=>553713	0.000	

Update Date : 12-03-2015 Print Date : 10-03-2022

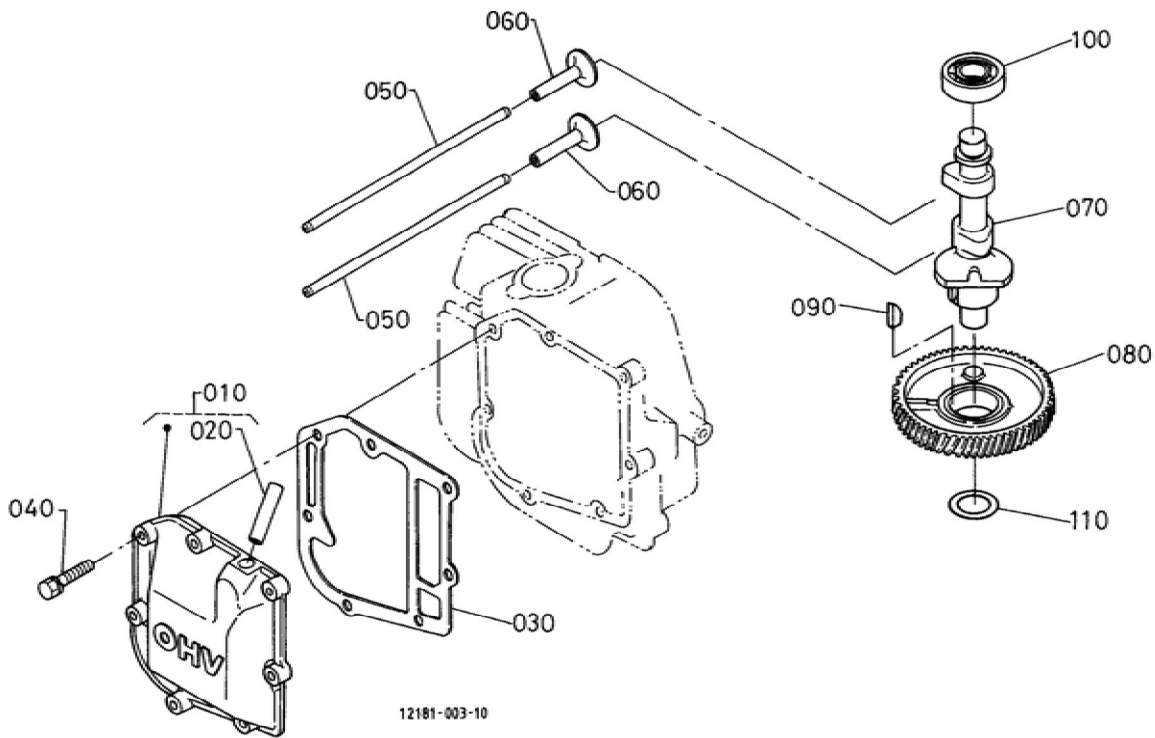


Update Date : 12-03-2015 Print Date : 10-03-2022

No.	Part Number	Part Name (POL)	Part Name (ENG)	QTY	IC	Serial No./PIN	Kg	Remarks
010	12181-21110	KOLBEN	PISTON	1			0.000	STD
010	12181-21910	KOLBEN	PISTON	1			0.000	+0.25MM
010	12181-21920	KOLBEN	PISTON	1			0.280	+0.50MM
020	12181-21052	GRP.KOLBEN RING	ASSY PISTON RING	1			0.000	STD
020	12181-21092	GRP.KOLBEN RING	ASSY PISTON RING	1			0.000	+0.25MM
020	12181-21102	GRP.KOLBEN RING	ASSY PISTON RING	1			0.000	+0.50MM
030	12181-21310	KOLBENBOLZEN	PIN PISTON	1			0.090	
040	12181-21330	KOLBEN-BOLZEN KRAMPE	CLIP PISTON PIN	2			0.001	
050	12181-22010	PLEUELSTANGE KOMP.	ASSY ROD CONNECTING	1			0.270	STD
050	12181-22050	PLEUELSTANGE KOMP.	ASSY ROD CONNECTING	1			0.276	-0.25MM
050	12181-22060	PLEUELSTANGE KOMP.	ASSY ROD CONNECTING	1			0.270	-0.50MM
060	13961-22140	BOLZEN	BOLT CONNECTING ROD	2			0.020	
070	12181-22170	BEILAGE	WASHER ROD BOLT	2			0.002	
080	12181-23010	KOMP.KURBELWELLE	COMP.CRANKSHAFT	1			3.000	
090	06311-75015	STOPFEN	PLUG EXPANSION	1			0.002	
100	12181-24110	KURBELANTRIEBSTEIL	GEAR CRANKSHAFT	1			0.185	
110	12181-26440	GETRIEBESCHWINGE	GEAR BALANCER	1			0.220	
120	12181-95240	SCHEIBENKEIL	KEY WOODRUFF	1			0.004	
130	08103-06306	KUGELLAGER	BEARING BALL	1			0.345	
140	08103-06206	KUGELLAGER	BEARING BALL	1			0.195	

Update Date : 12-03-2015 Print Date : 10-03-2022

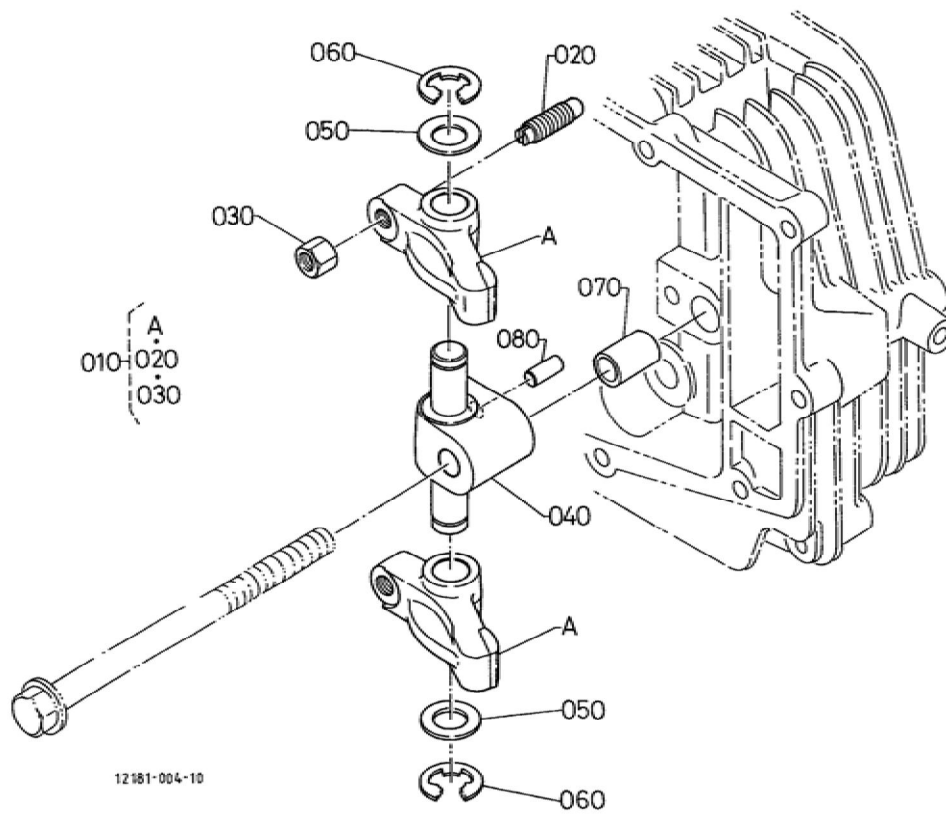
No.	Part Number	Part Name (POL)	Part Name (ENG)	QTY	IC	Serial No./PIN	Kg	Remarks
150	13961-16640	OELDICHTUNGSRING	SEAL OIL	2			0.010	
160	13641-23680	BEILAGE	SHIM	1			0.002	0.20MM
160	13641-23620	BEILAGE	SHIM	1			0.001	0.30MM
160	13641-23630	BEILAGE	SHIM	1			0.002	0.40MM
160	13641-23650	BEILAGE	SHIM	1			0.001	0.50MM
160	12181-23620	BEILAGE	SHIM	1			0.003	0.60MM
160	12181-23630	BEILAGE	SHIM	1			0.003	0.70MM
170	12181-21850	KOLBEN,UEBERMASS	PISTON SET O/S	1			0.000	+0.25MM
170	12181-21862	KOLBEN,UEBERMASS	PISTON SET O/S	1			0.000	+0.50MM



BKIDA0039 >> T1400H-WG >> MOTOR / ENGINE >> G03000 NOCKENWELLE / CAMSHAFT

Update Date : 12-03-2015 Print Date : 10-03-2022

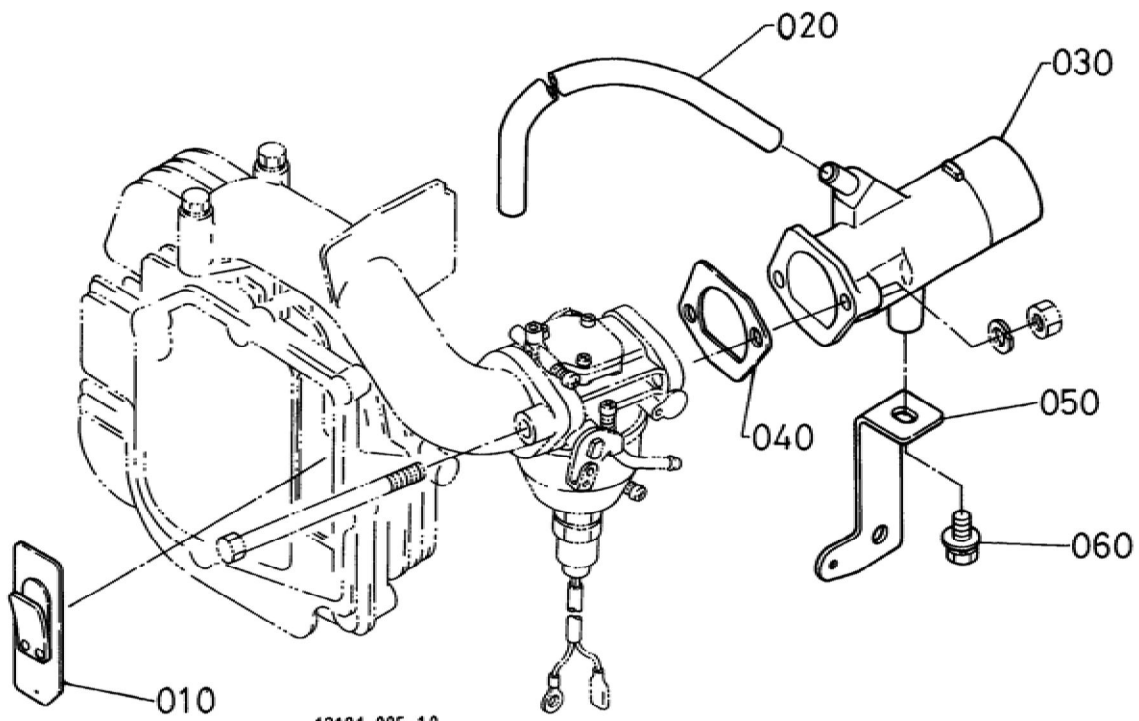
No.	Part Number	Part Name (POL)	Part Name (ENG)	QTY	IC	Serial No./PIN	Kg	Remarks
010	12181-14500	VENTILDECK EL	COMP COVER CYL.HEAD	1			0.245	
020	12181-05550	DICHTUNG	JOINT BREATHER TUBE	1			0.005	
030	12181-14520	VENTILDECK ELDICHTUNG	GASKET HEAD COVER	1		<=562731	0.000	
030	12182-14520	VENTILDECK ELDICHTUNG	GASKET HEAD COVER	1	>>	=>562732	0.010	
040	01202-50625	BOLZEN	BOLT	7			0.014	
050	13811-15110	STOESSELST ANGE	PUSH ROD	2		<=553712	0.024	
050	12181-15110	STOESSELST ANGE	PUSH ROD	2	NI	=>553713	0.020	
060	12181-15550	STOESSEL	TAPPET	2			0.032	
070	12181-16150	NOCKENWEL LE	CAMSHAFT	1			0.550	
080	12181-16510	ZAHNRAD	GEAR CAMSHAFT	1		<=756267	0.000	
080	12181-16512	ZAHNRAD	GEAR CAMSHAFT	1	>>	=>756268	0.545	
090	12181-95230	SCHEIBEN- KEIL	KEY WOODRUFF	1			0.003	
100	08103-06203	KUGELLAGE R	BEARING BALL	1			0.065	
110	12181-16620	BEILAGE	SHIM	1			0.002	0.50MM
110	12181-16630	BEILAGE	SHIM	1			0.002	0.60MM
110	12181-16640	BEILAGE	SHIM	1			0.003	0.80MM
110	12181-16650	BEILAGE	SHIM	1			0.002	0.90MM
110	12181-16660	BEILAGE	SHIM	1			0.004	1.00MM
110	12181-16670	BEILAGE	SHIM	1			0.005	1.20MM
110	12181-16670	BEILAGE	SHIM	1			0.005	1.20MM



BKIDA0039 >> T1400H-WG >> MOTOR / ENGINE >> G04000 KIPPHEBEL / ROCKER ARM

Update Date : 12-03-2015 Print Date : 10-03-2022

No.	Part Number	Part Name (POL)	Part Name (ENG)	QTY	IC	Serial No./PIN	Kg	Remarks
010	12181-14020	GRP.KIPPHEBEL	ASSY ROCKER ARM	2		<=553712	0.040	
010	12181-14022	GRP.KIPPHEBEL	ASSY ROCKER ARM	2	NI	=>553713	0.040	
020	13801-14230	STELLSCHRAUBE	SCREW ADJUSTING	2		<=553712	0.005	
020	12181-14230	STELLSCHRAUBE	SCREW ADJUSTING	2	NI	=>553713	0.007	
030	15261-14240	MUTTER	NUT	2			0.002	
040	12181-14060	KIPPHEBELWELLE	ASSY SHAFT ROCKERARM	1			0.150	
050	12181-14430	SCHEIBE	WASHER ROCKER ARM	2		<=569020	0.001	
050	44312-16240	DRUCKRING	COLLAR THRUST	2	NI	=>569021	0.005	
060	04613-00100	SPRENGRING, AUSSEN	CIR CLIP EXTERNAL	2			0.001	
070	12181-94540	SCHLAUCHHUELSE	PIPE KNOCK	1			0.003	
080	05012-00608	ZYLINDERSTIFT	PIN STRAIGHT	1			0.002	

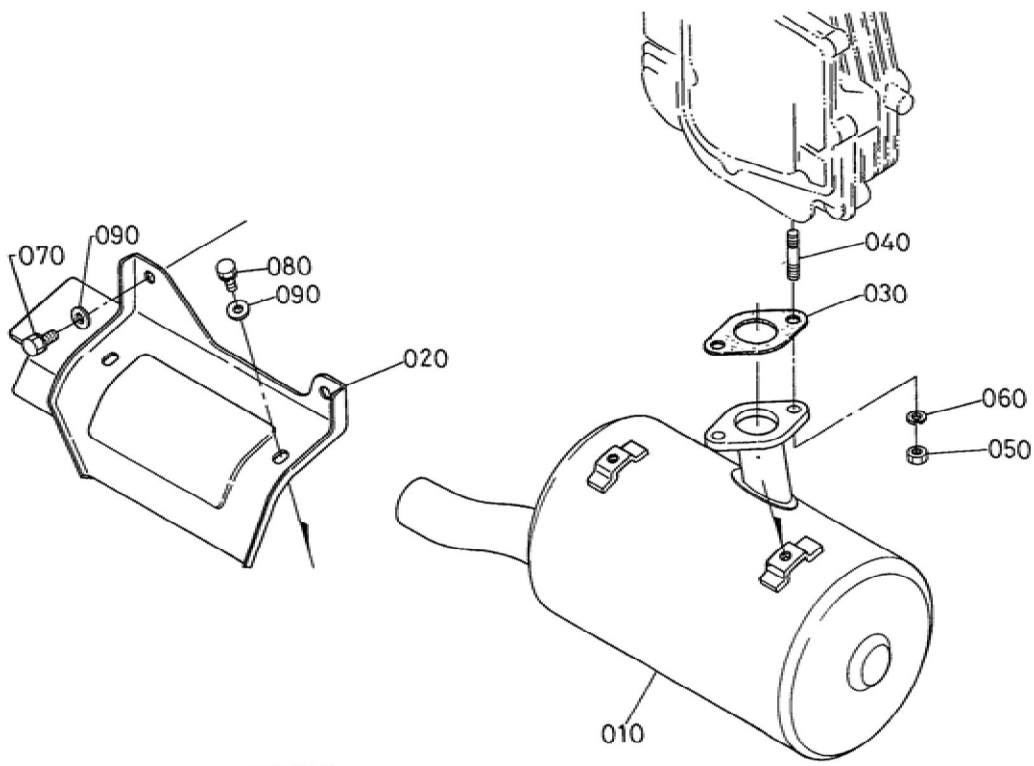


12181-005-10

BKIDA0039 >> T1400H-WG >> MOTOR / ENGINE >> G05000 ENTLUEFTER / BREATHER

Update Date : 12-03-2015 Print Date : 10-03-2022

No.	Part Number	Part Name (POL)	Part Name (ENG)	QTY	IC	Serial No./PIN	Kg	Remarks
010	12181-05010	ENTLUEFTER KOMP.	COMP.BREATH ER	1			0.027	
020	12181-05510	ROEHRE,ENT LUEFTER	TUBE BREATHER	1			0.030	
030	12181-11600	STUTZEN	COMP ELBOW A/C	1			0.190	
040	12181-11510	DICHTUNG	GASKET A/CELBOW	1			0.000	
050	12181-11580	STUETZE	STAY A/C ELBOW	1			0.070	
060	01125-60816	BOLZEN	BOLT	2			0.010	



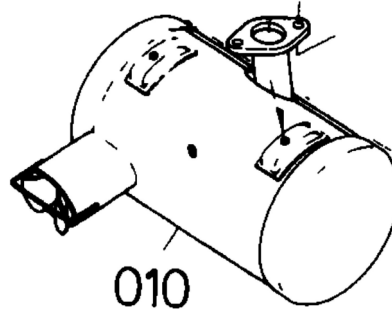
12161-006-10

BKIDA0039 >> T1400H-WG >> MOTOR / ENGINE >> G06000 AUSPUFF / MUFFLER

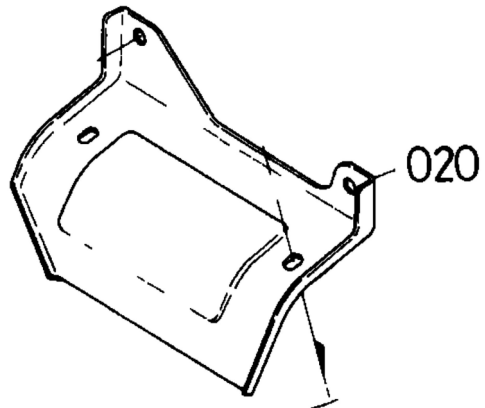
Update Date : 12-03-2015 Print Date : 10-03-2022

No.	Part Number	Part Name (POL)	Part Name (ENG)	QTY	IC	Serial No./PIN	Kg	Remarks
010	12181-12110	AUSPUFF KOMP.	COMP.MUFFLER	1		<=553712	0.000	
010	12181-12116	AUSPUFF KOMP.	COMP.MUFFLER	1	>>	=>553713	0.000	
010	12181-12118	AUSPUFF KOMP.	COMP.MUFFLER	1	>>	=>559371	0.300	
010	12181-12120	AUSPUFF KOMP.	COMP.MUFFLER	1	>>	=>562382	2.170	
020	12181-12510	STUETZE AUSPUFF	STAY MUFFLER 2	1		<=562381	0.000	
020	12181-12513	STUETZE AUSPUFF	STAY MUFFLER 2	1	>>	=>562382	0.360	
030	12579-12230	DICHTUNG	GASKET MUFFLER	1			0.001	
040	01518-50818	STEBOLZEN	STUD	2		<=568320	0.011	
040	01518-50822	STEBOLZEN	STUD	2	>>	=>568321	0.012	
050	02114-50080	MUTTER	NUT	2			0.005	
060	04512-60080	FEDERRING	WASHER SPRING	2			0.002	
070	01123-60814	BOLZEN	BOLT	2			0.010	
080	01123-50820	SCHRAUBE	BOLT	2			0.011	
090	04013-60080	SCHEIBE	WASHER PLAIN	4			0.002	

010 12181-1211-0



020 12181-1251-0



BKIDA0039 >> T1400H-WG >> MOTOR / ENGINE >> G06000 AUSPUFF / MUFFLER

Update Date : 12-03-2015 Print Date : 10-03-2022

No.	Part Number	Part Name (POL)	Part Name (ENG)	QTY	IC	Serial No./PIN	Kg	Remarks
010	12181-12110	AUSPUFF KOMP.	COMP.MUFFLER	1		<=553712	0.000	
010	12181-12116	AUSPUFF KOMP.	COMP.MUFFLER	1	>>	=>553713	0.000	
010	12181-12118	AUSPUFF KOMP.	COMP.MUFFLER	1	>>	=>559371	0.300	
010	12181-12120	AUSPUFF KOMP.	COMP.MUFFLER	1	>>	=>562382	2.170	
020	12181-12510	STUETZE AUSPUFF	STAY MUFFLER 2	1		<=562381	0.000	
020	12181-12513	STUETZE AUSPUFF	STAY MUFFLER 2	1	>>	=>562382	0.360	



Download the full PDF manual instantly.

Our customer service e-mail:

aservicemanualpdf@yahoo.com