

BKIDK5061 >> STW37C >> MOTOR / ENGINE >> 000102 KURBELGEHAEUSE / CRANKCASE

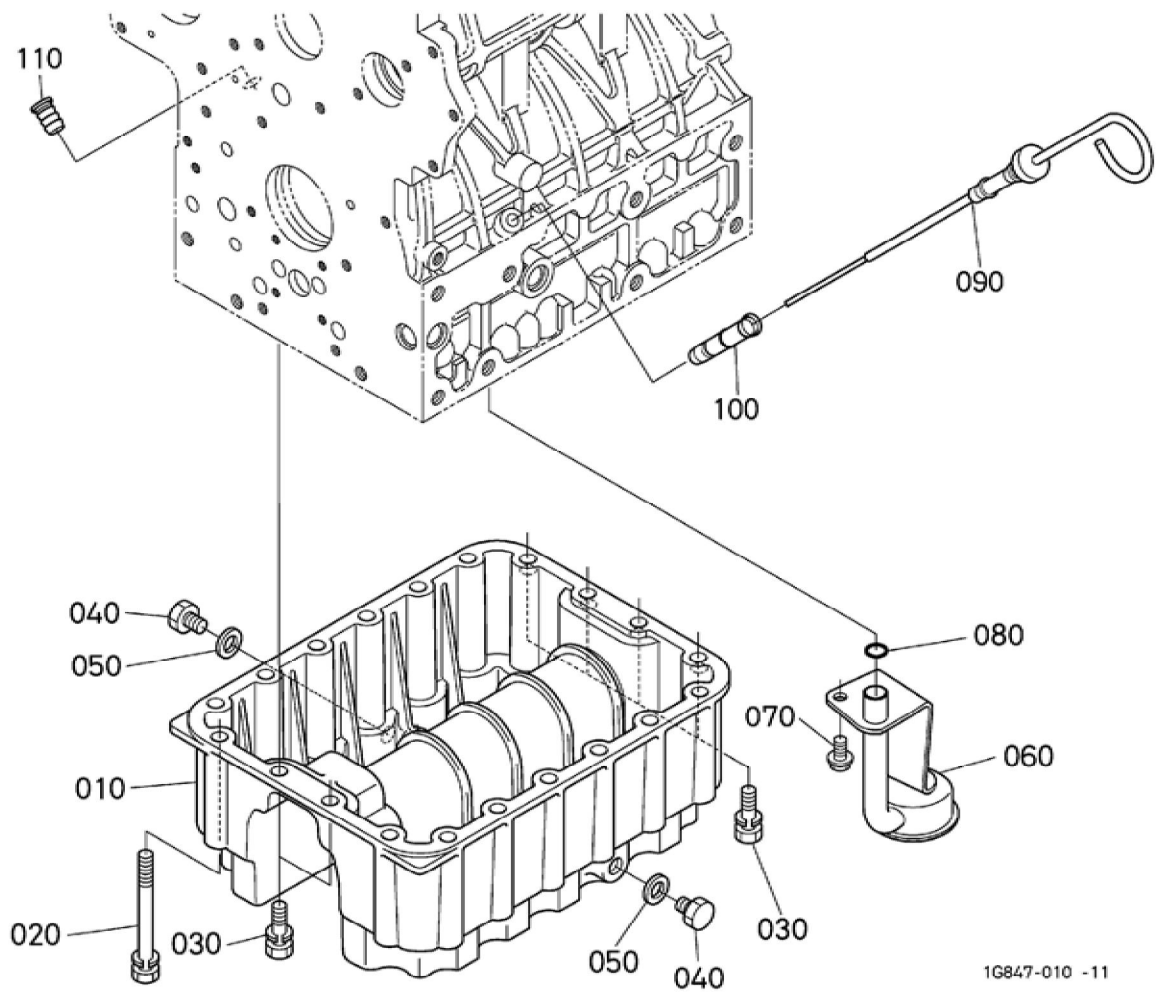
Update Date : 2019/01/18 Print Date : 2022/03/16

No.	Part Number	Part Name (POL)	Part Name (ENG)	QTY	IC	Serial No./PIN	Kg	Remarks
010	1A388-01010	KOMP.KURBELGEHAEUSE	CRANKCASE, COMP	1		<=7GPZ999	0.000	
010	1A388-01013	KOMP.KURBELGEHAEUSE	CRANKCASE, COMP	1	>>	>=7GQ0001	0.000	
020	15521-96020	STOPFEN	PLUG	5			0.003	
030	15521-96030	STOPFEN	PLUG	2			0.007	
040	17391-96160	STOPFEN	PLUG,EXPANSION	3			0.003	
050	16271-96160	STOPFEN	PLUG,EXPANSION	1			0.025	
060	15221-03380	STOPFEN	CAP,SEALING	5			0.017	
070	15221-03390	STOPFEN	CAP,SEALING	2			0.030	
080	05012-00408	ZYLINDERSTIFT	PIN,STRAIGHT	2			0.001	
090	05012-00609	ZYLINDERSTIFT	PIN,STRAIGHT	3			0.003	
100	05012-00612	ZYLINDERSTIFT	PIN, STRAIGHT	2			0.003	
110	05012-01018	ZYLINDERSTIFT	PIN,STRAIGHT	2			0.012	
120	15221-33650	ROHRSTIFT	PIN,PIPE	1			0.004	
130	06312-10020	STOPFEN	W-PLUG	1			0.016	
140	1G896-33610	BOLZEN	PLUG	1			0.008	
150	15021-33660	DICHTUNGSPLATTE	PACKING	1			0.001	
160	1J860-33140	OELEINFUELLSSTOPFEN	PLUG,OIL FILLER	1			0.030	
170	1A021-33110	FLANSCH	FLANGE,OIL FILLER	1			0.070	
180	1A021-51660	DICHTUNGSPLATTE	GASKET, PUMP COVER	1		<=7HXZ999	0.003	
180	1A021-51663	DICHTUNGSPLATTE	GASKET, PUMP COVER	1	>>	>=7HY0001	0.003	
190	01023-50618	BOLZEN	BOLT,SEMS	1			0.006	
200	15471-35013	GRP.OELPUMPE	ASSY PUMP,OIL	1			0.550	
210	1A021-35150	DICHTUNGSPLATTE	GASKET,OIL PUMP	1			0.001	

BKIDK5061 >> STW37C >> MOTOR / ENGINE >> 000102 KURBELGEHAEUSE / CRANKCASE

Update Date : 2019/01/18 Print Date : 2022/03/16

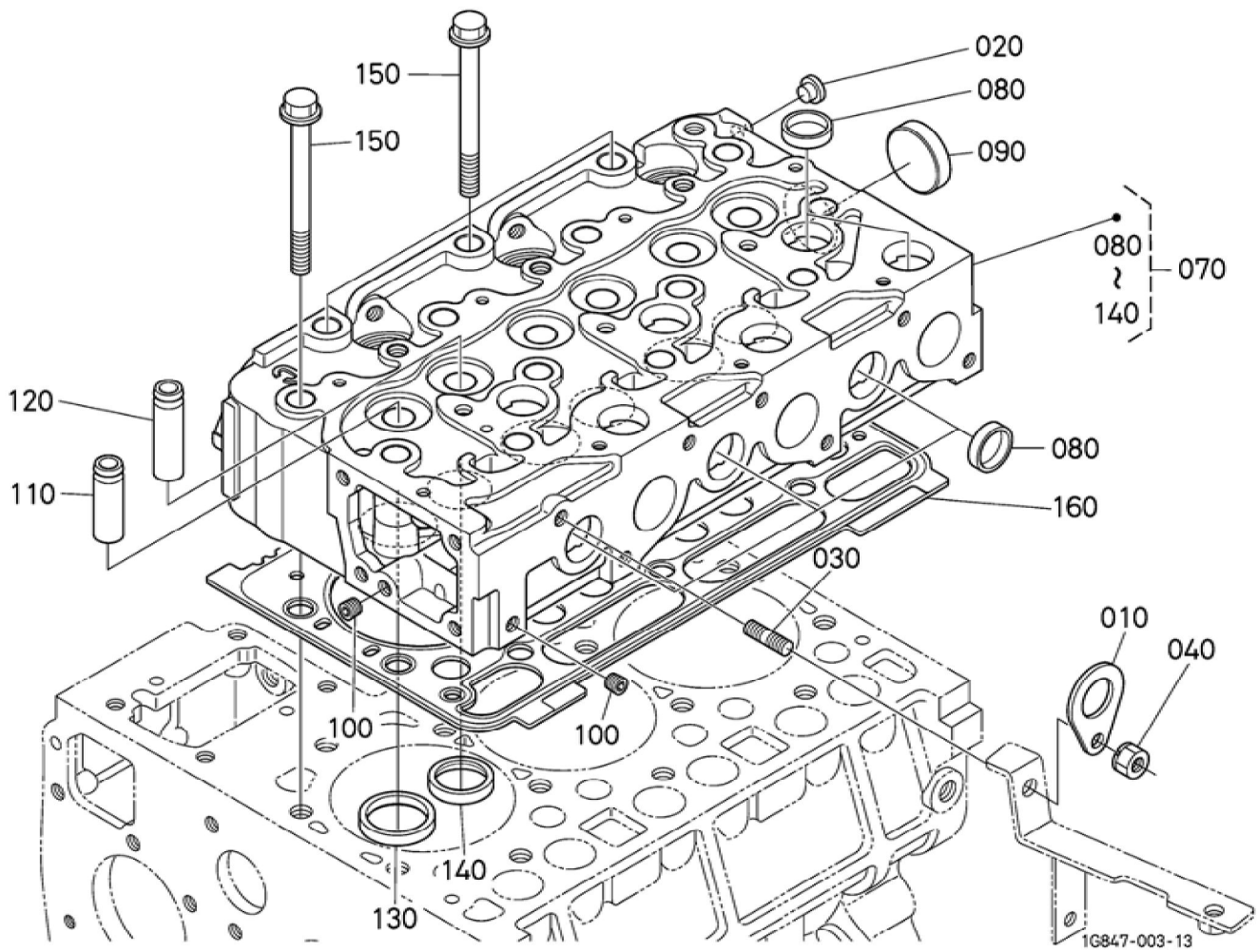
No.	Part Number	Part Name (POL)	Part Name (ENG)	QTY	IC	Serial No./PIN	Kg	Remarks
220	01023-50650	BOLZEN	BOLT,SEMS	4			0.012	
230	1G896-35660	ZAHNRAD	GEAR,OIL PUMP DRIVE	1			0.135	
240	05712-00410	KEIL	KEY,FEATHE R	1			0.001	
250	15221-35682	MUTTER	NUT	1			0.014	
260	1A021-57483	TRAEGER	BRACKET (ACCEL.CABL E)	1			0.125	
270	01023-50622	BOLZEN	BOLT,SEMS	3			0.005	



BKIDK5061 >> STW37C >> MOTOR / ENGINE >> 000200 OELWANNE / OIL PAN

Update Date : 2019/01/18 Print Date : 2022/03/16

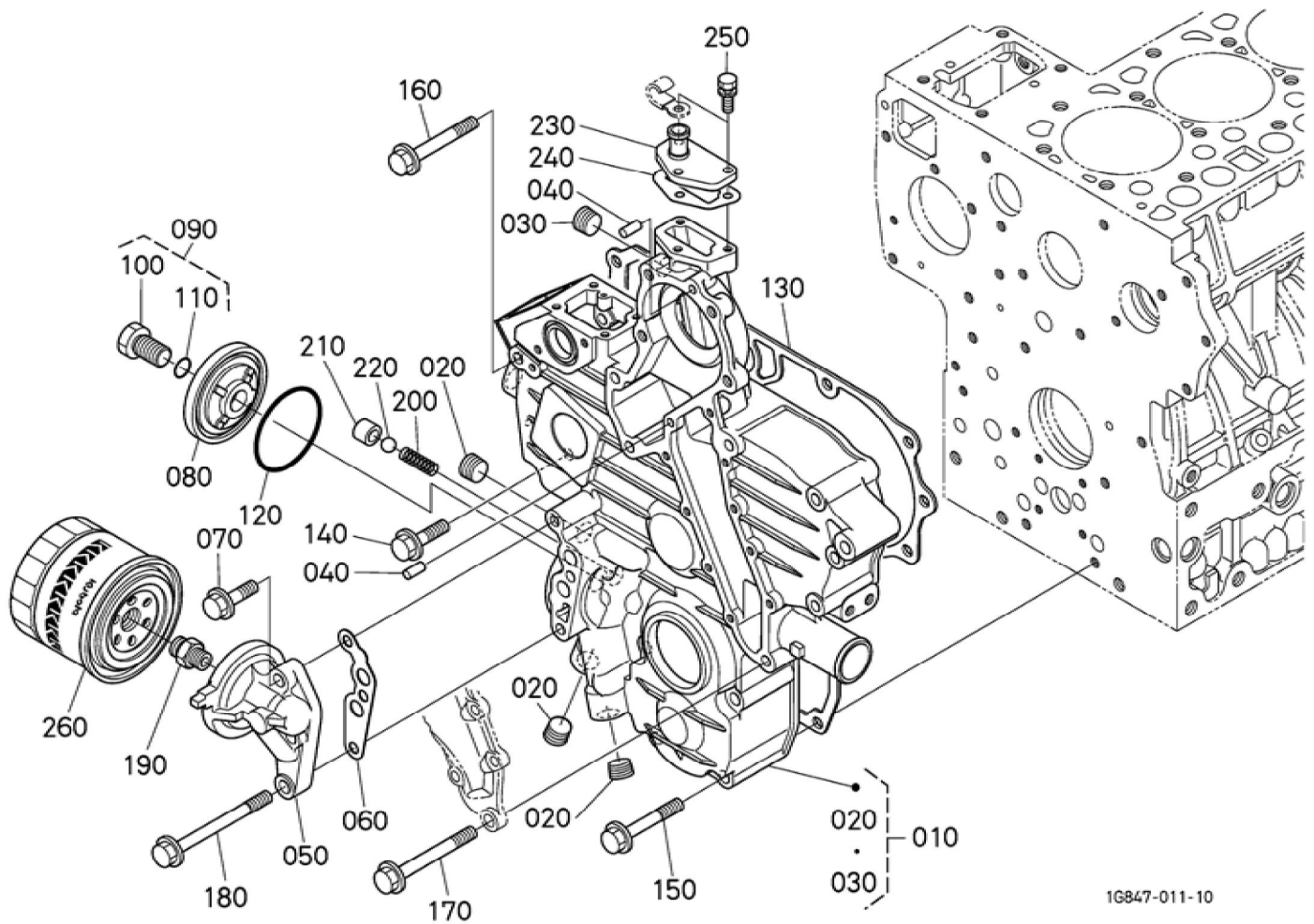
No.	Part Number	Part Name (POL)	Part Name (ENG)	QTY	IC	Serial No./PIN	Kg	Remarks
010	1J830-01610	OELWANNE	OIL PAN	1			3.550	
020	01133-51002	BOLZEN	BOLT,SEMS	14			0.070	
030	1A091-91010	BOLZEN	BOLT,SEMS	6			0.025	
040	16427-33750	ENTLEERUN GSSTOPFEN	PLUG,DRAIN	2			0.030	
050	6C090-58960	DICHTUNGSP LATTE	GASKET	2			0.005	
060	1A024-32110	OELFILTER	FILTER(OIL)	1		<=7FZZ999	0.220	ORDER BY REF.No.060 NEW PART
060	1A328-32110	OELFILTER	FILTER(OIL,1)	1	>>	>=7GA0001	0.240	
070	01754-50812	SCHRAUBE	BOLT,FLANG E	1			0.010	
080	04817-00160	O RING	O RING	1			0.001	
090	1G851-36414	OELMESSST AB	GAUGE,OIL	1			0.040	
100	17456-36420	FUEHRUNG, OELMESSST AB	GUIDE (GAUGE,OIL)	1			0.030	
110	1G513-36550	STOPFEN, OELMESSST AB	PLUG,OIL GAUGE	1			0.004	



BKIDK5061 >> STW37C >> MOTOR / ENGINE >> 000300 ZYLINDERKOPF / CYLINDER HEAD

Update Date : 2019/01/18 Print Date : 2022/03/16

No.	Part Number	Part Name (POL)	Part Name (ENG)	QTY	IC	Serial No./PIN	Kg	Remarks
010	15221-01750	MOTORHAKE N	HOOK,ENGIN E	1			0.040	
020	09980-10075	KAPPE	CAP,PROTEC TOR	1			0.001	
030	15471-91530	STEBOLZEN	BOLT,STUD	1			0.010	
040	16429-92010	MUTTER	NUT WITH LOCK WASHER	1			0.007	
070	1G841-03043	KOMP.ZYLIN DERKOPF	HEAD,CYL,C OMP	1			15.000	
080	15221-03370	STOPFEN	PLUG,CUP TYPE	9			0.010	
090	15221-03490	STOPFEN	CAP,SEALING	1			0.020	
100	15261-96010	STOPFEN	PLUG	2			0.002	
110	1G896-13580	EINLASSVEN TILFUEHRUN G	GUIDE,VALVE ,INLET	3			0.020	
120	1C010-13560	AUSLASSVEN TILFUEHRUN G	GUIDE,EXHA UST VALVE	3			0.025	
130	16415-13620	VENTILSITZ, EINLASSVEN TIL	SEAT,VALVE (INLET)	3			0.010	
140	16415-13612	VENTILSITZ, AUSLASSVEN TIL	SEAT (EXHAUST VALVE)	3			0.010	
150	19013-03450	ZYLINDERKO PFSCHRAUB E	BOLT,HEAD (CYLINDER)	14			0.077	
160	1G750-03312	ZYLINDERKO PFDICHTUNG	GASKET,CYL. HEAD	1			0.220	



BKIDK5061 >> STW37C >> MOTOR / ENGINE >> 000402 GETRIEBEGHAEUSE / GEAR CASE

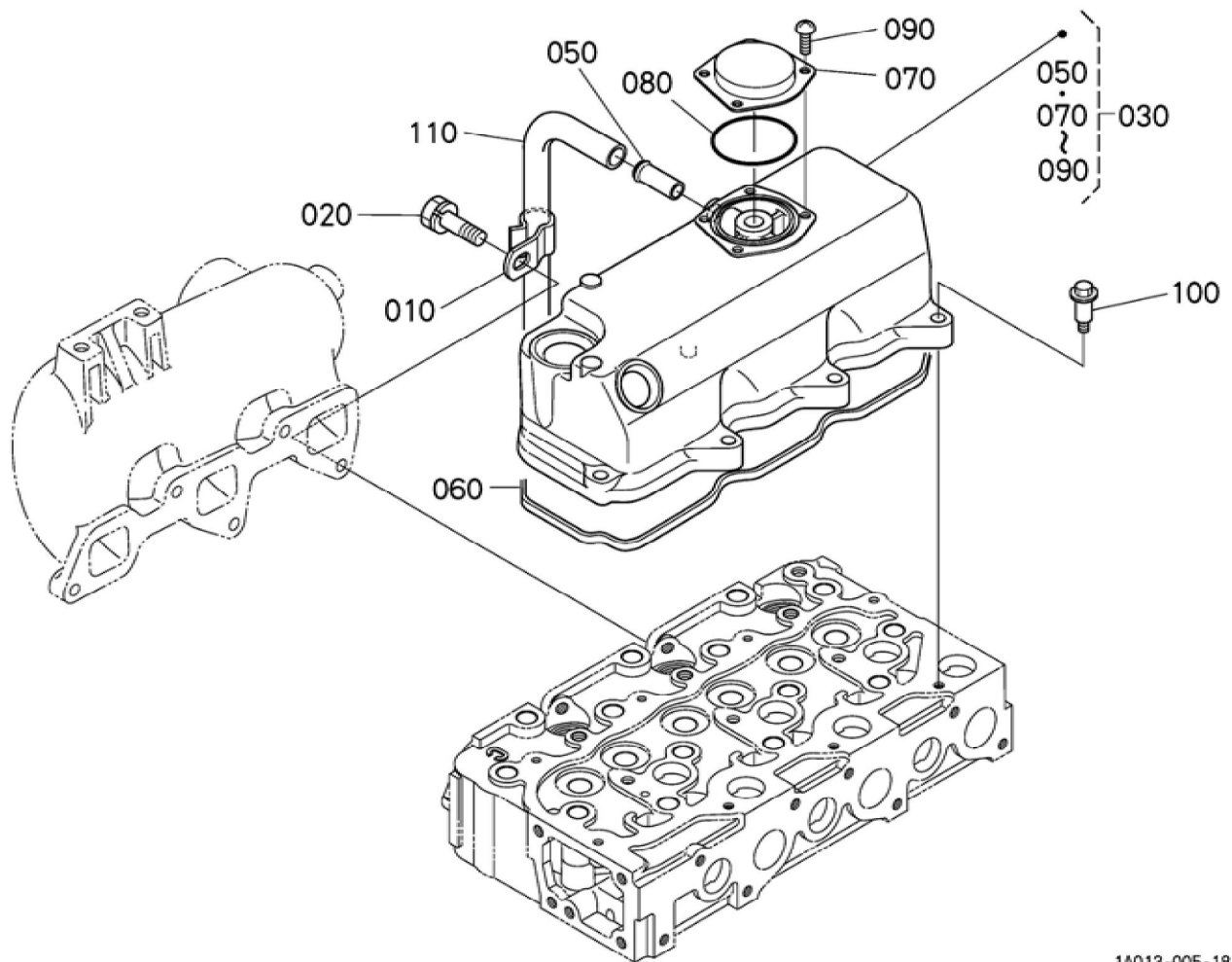
Update Date : 2019/01/18 Print Date : 2022/03/16

No.	Part Number	Part Name (POL)	Part Name (ENG)	QTY	IC	Serial No./PIN	Kg	Remarks
010	1G423-04022	KMP.GETRIEBEGEHAEUSE	COMP.CASE, GEAR	1			3.850	
020	16241-96020	STOPFEN	PLUG	3			0.015	
030	1A021-96020	STOPFEN	PLUG	1			0.020	
040	05012-00612	ZYLINDERSTIFT	PIN, STRAIGHT	2			0.003	
050	1G742-32615	HALTER, OELFILTER	BASE,OIL FILTER	1			0.245	
060	1J860-32620	DICHTUNGSPLATTE	GASKET(OIL FILTER BASE)	1			0.002	
070	01754-50830	SCHRAUBE	BOLT,FLANGE	1			0.050	
080	17331-32880	DECKEL	COVER	1			0.075	
090	17331-32910	KOMP.BOLZEN	BOLT,COMP	1			0.070	
100	17331-32900	BOLZEN	BOLT	1			0.060	
110	04817-00150	O RING	O RING	1			0.001	
120	19202-96830	O RING	O RING	1			0.010	
130	1G701-04130	DICHTUNG	GASKET,GEAR CASE	1			0.021	
140	01754-50830	SCHRAUBE	BOLT,FLANGE	1			0.050	
150	1A021-91030	SCHRAUBE	BOLT,SEMS	7			0.030	
160	01754-50875	SCHRAUBE	BOLT,FLANGE	2			0.030	
170	01754-50885	SCHRAUBE	BOLT,FLANGE	3			0.032	
180	1A021-91040	SCHRAUBE	BOLT	2			0.045	
190	1A021-32290	VERBINDUNGSSTUECK	PIPE(JOINT)	1			0.050	
200	15241-36950	FEDER	SPRING	1			0.004	
210	15521-36930	SITZ,VENTIL	SEAT,VALVE	1			0.015	
220	07715-03213	KUGEL	BALL	1			0.004	
230	15521-73320	FLANSCH	FLANGE,WATER RETURN	1			0.040	
240	1A021-73332	DICHTUNGSPLATTE	GASKET (RETURN FLANGE)	1			0.001	

Update Date : 2019/01/18 Print Date : 2022/03/16

No.	Part Number	Part Name (POL)	Part Name (ENG)	QTY	IC	Serial No./PIN	Kg	Remarks
250	01023-50620	BOLZEN	BOLT,SEMS	3			0.006	
260	HH164-32430	OELFILTERP ATRONE	FILTER (CARTRIDGE, OIL)	1			0.500	

Update Date : 2019/01/18 Print Date : 2022/03/16





Download the full PDF manual instantly.

Our customer service e-mail:

aservicemanualpdf@yahoo.com