

BKIDK5263 >> ST401C >> MOTOR / ENGINE >> 000102 KURBELGHAEUSE / CRANKCASE

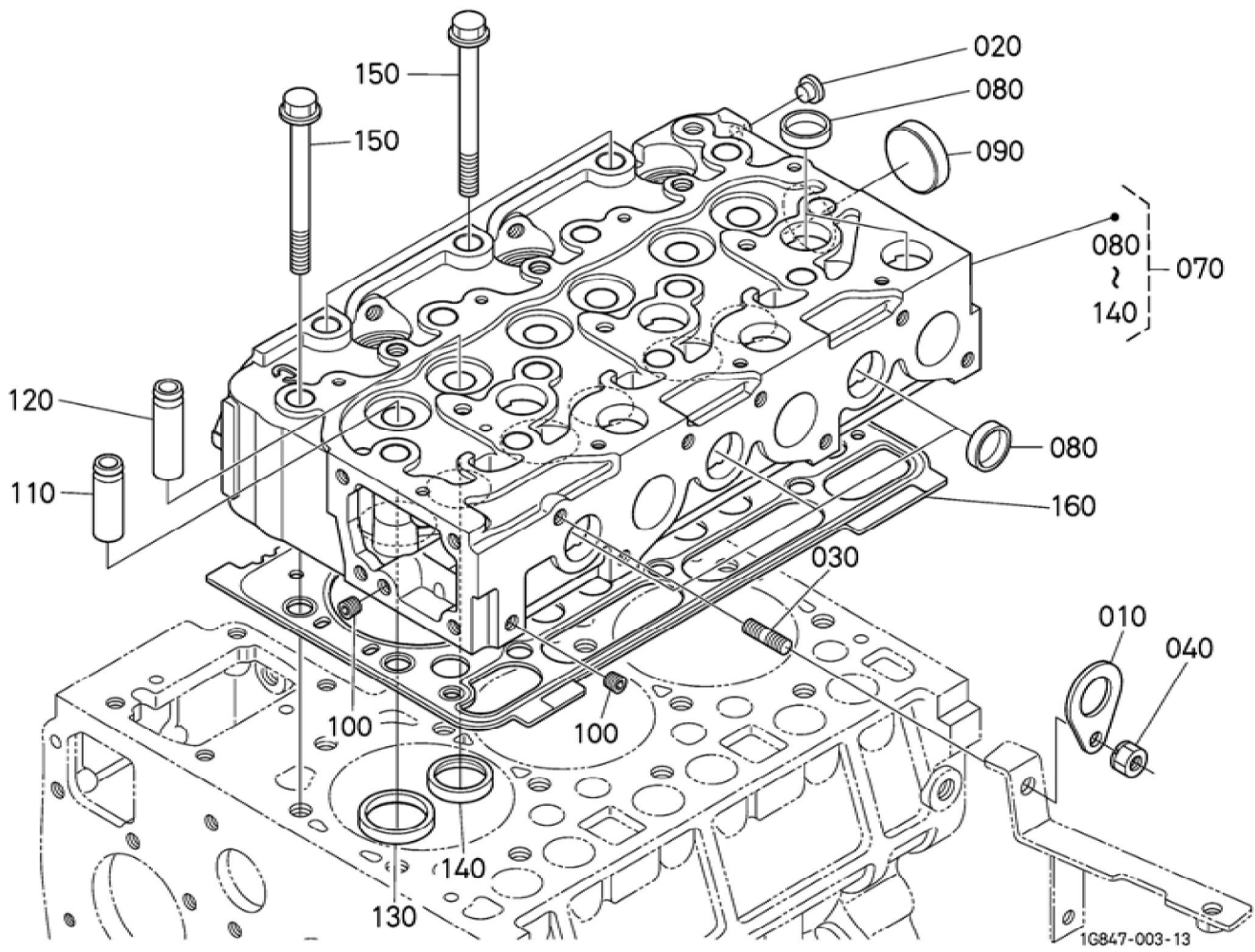
Update Date : 2020/02/20 Print Date : 2022/03/15

No.	Part Number	Part Name (POL)	Part Name (ENG)	QTY	IC	Serial No./PIN	Kg	Remarks
010	1A388-01013	KOMP.KURBELGHAEUSE	CRANKCASE, COMP	1			0.000	
020	15521-96020	STOPFEN	PLUG	5			0.003	
030	15521-96030	STOPFEN	PLUG	2			0.007	
040	17391-96160	STOPFEN	PLUG,EXPANSION	3			0.003	
050	16271-96160	STOPFEN	PLUG,EXPANSION	1			0.025	
060	15221-03380	STOPFEN	CAP,SEALING	5			0.017	
070	15221-03390	STOPFEN	CAP,SEALING	2			0.030	
080	05012-00408	ZYLINDERSTIFT	PIN,STRAIGHT	2			0.001	
090	05012-00609	ZYLINDERSTIFT	PIN,STRAIGHT	3			0.003	
100	05012-00612	ZYLINDERSTIFT	PIN, STRAIGHT	2			0.003	
110	05012-01018	ZYLINDERSTIFT	PIN,STRAIGHT	2			0.012	
120	15221-33650	ROHRSTIFT	PIN,PIPE	1			0.004	
130	06312-10020	STOPFEN	W-PLUG	1			0.016	
140	1G896-33610	BOLZEN	PLUG	1			0.008	
150	15021-33660	DICHTUNGSPLATTE	PACKING	1			0.001	
160	1J860-33140	OELEINFUELLSSTOPFEN	PLUG,OIL FILLER	1			0.030	
170	1A021-33112	EINFUELLSFLANSCH	FLANGE,OIL FILLER	1			0.070	
180	1A021-51663	DICHTUNGSPLATTE	GASKET, PUMP COVER	1			0.003	
190	01023-50618	BOLZEN	BOLT,SEMS	1			0.006	
200	15471-35013	GRP.OELPUMPE	ASSY PUMP,OIL	1			0.550	
210	1A021-35150	DICHTUNGSPLATTE	GASKET,OIL PUMP	1			0.001	
220	01023-50650	BOLZEN	BOLT,SEMS	4			0.012	
230	1G896-35660	ZAHNRAD	GEAR,OIL PUMP DRIVE	1			0.135	

BKIDK5263 >> ST401C >> MOTOR / ENGINE >> 000102 KURBELGHAEUSE / CRANKCASE

Update Date : 2020/02/20 Print Date : 2022/03/15

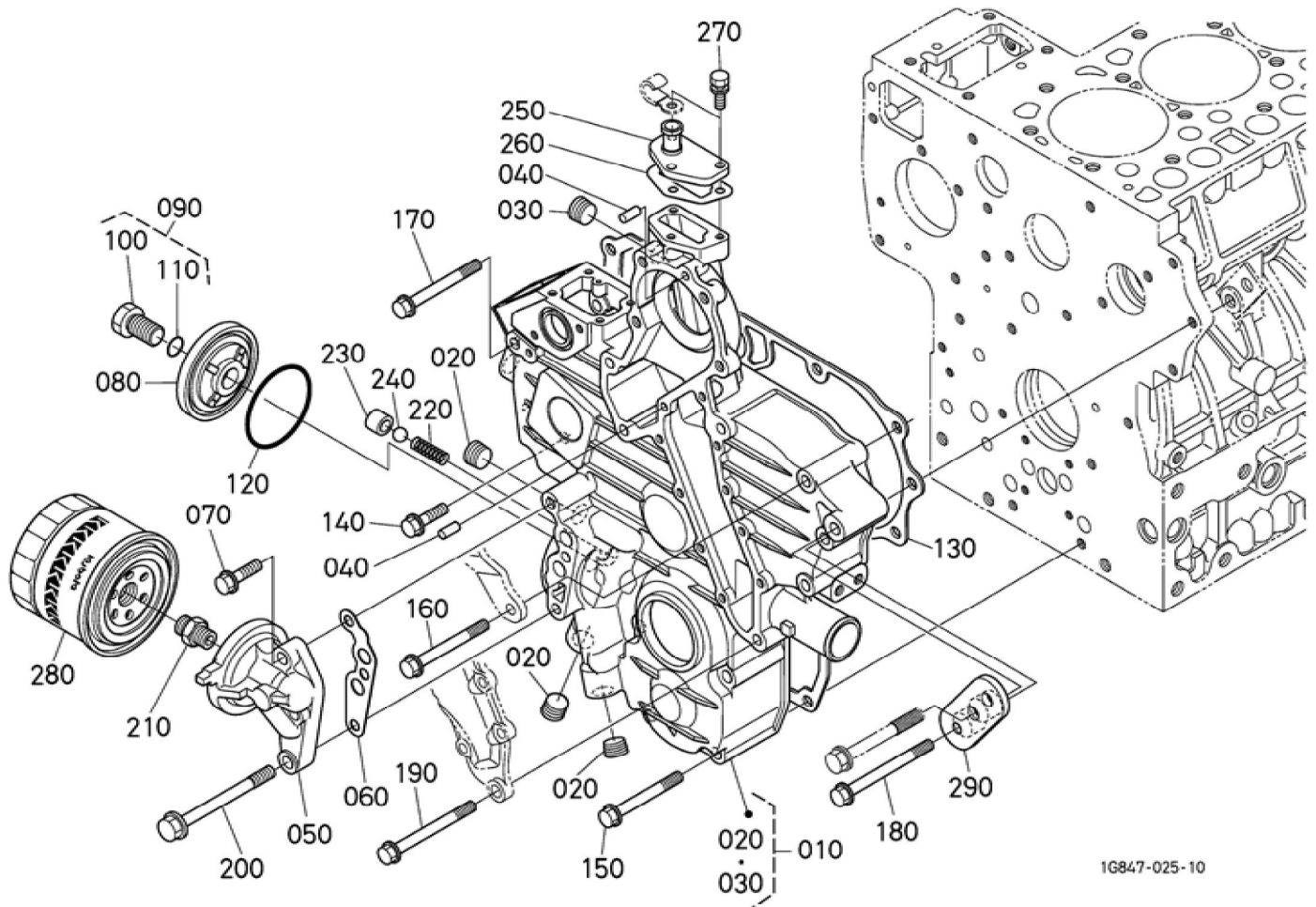
No.	Part Number	Part Name (POL)	Part Name (ENG)	QTY	IC	Serial No./PIN	Kg	Remarks
240	05712-00410	KEIL	KEY,FEATHER	1			0.001	
250	15221-35682	MUTTER	NUT	1			0.014	
260	1A021-57483	TRAEGER	BRACKET (ACCEL.CABLE)	1			0.125	
270	01023-50622	BOLZEN	BOLT,SEMS	3			0.005	



BKIDK5263 >> ST401C >> MOTOR / ENGINE >> 000300 ZYLINDERKOPF / CYLINDER HEAD

Update Date : 2020/02/20 Print Date : 2022/03/15

No.	Part Number	Part Name (POL)	Part Name (ENG)	QTY	IC	Serial No./PIN	Kg	Remarks
010	15221-01750	MOTORHAKE N	HOOK,ENGIN E	1			0.040	
020	09980-10075	KAPPE	CAP,PROTEC TOR	1			0.001	
030	15471-91530	STEBOLZEN	BOLT,STUD	1			0.010	
040	16429-92010	MUTTER	NUT WITH LOCK WASHER	1			0.007	
070	1G841-03043	KOMP.ZYLIN DERKOPF	HEAD,CYL,C OMP	1			15.000	
080	15221-03370	STOPFEN	PLUG,CUP TYPE	9			0.010	
090	15221-03490	STOPFEN	CAP,SEALING	1			0.020	
100	15261-96010	STOPFEN	PLUG	2			0.002	
110	1G896-13580	EINLASSVEN TILFUEHRUN G	GUIDE,VALVE ,INLET	3		<=7JVZ999	0.020	
110	1J829-13580	VENTILFUEH RUNG	GUIDE,VALVE (INLET)	3	>>	>=7JW0001	0.020	
120	1C010-13560	AUSLASSVEN TILFUEHRUN G	GUIDE,EXHA UST VALVE	3		<=7JVZ999	0.025	
120	1J829-13560	VENTILFUEH RUNG	GUIDE,VALVE (EXHAUST)	3	>>	>=7JW0001	0.020	
130	16415-13620	VENTILSITZ, EINLASSVEN TIL	SEAT,VALVE (INLET)	3			0.010	
140	16415-13612	VENTILSITZ, AUSLASSVEN TIL	SEAT (EXHAUST VALVE)	3			0.010	
150	19013-03450	ZYLINDERKO PFSCHRAUB E	BOLT,HEAD (CYLINDER)	14			0.077	
160	1G750-03312	ZYLINDERKO PFDICHTUNG	GASKET,CYL. HEAD	1			0.220	



BKIDK5263 >> ST401C >> MOTOR / ENGINE >> 000402 GETRIEBE GEHAEUSE / GEAR CASE

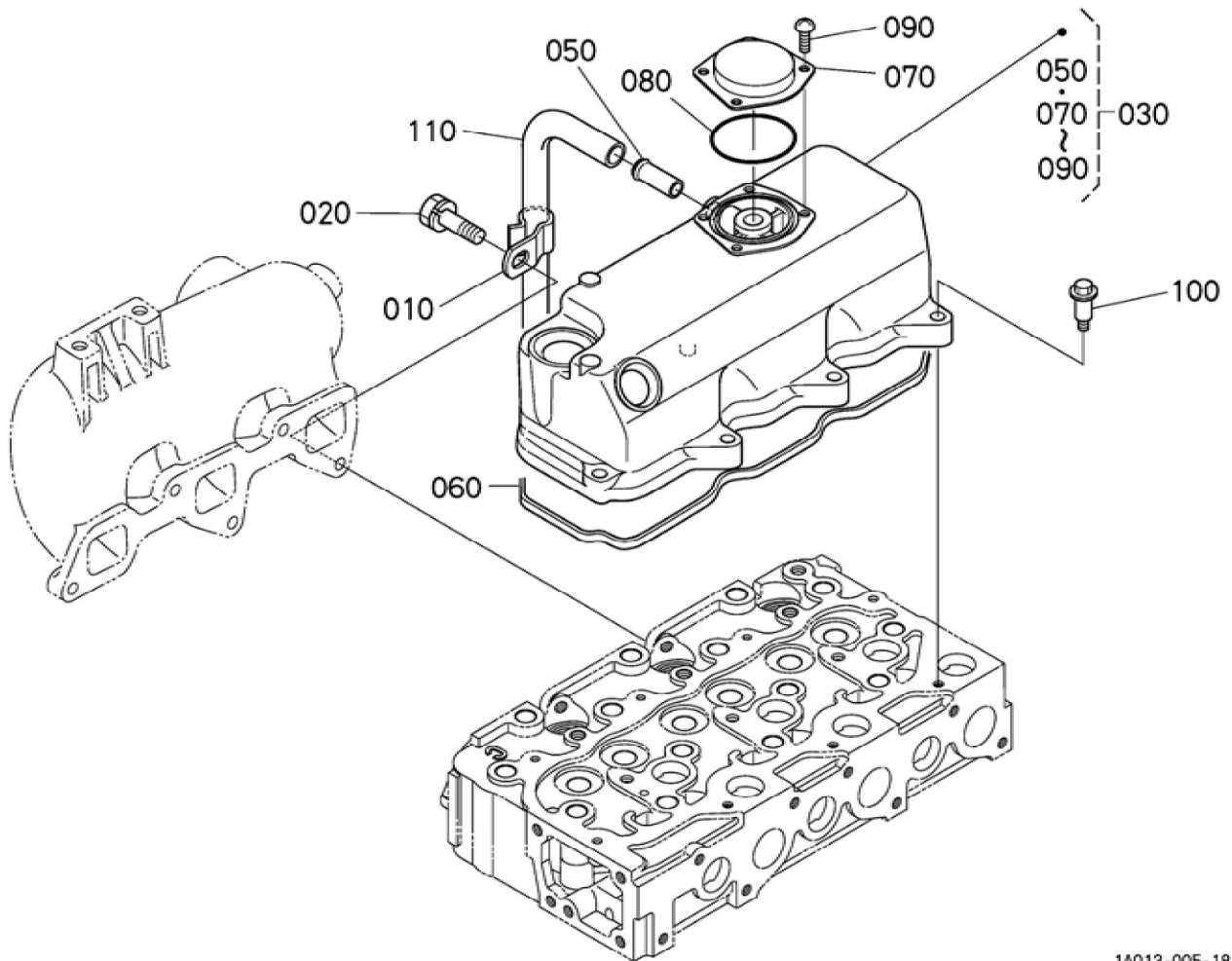
Update Date : 2020/02/20 Print Date : 2022/03/15

No.	Part Number	Part Name (POL)	Part Name (ENG)	QTY	IC	Serial No./PIN	Kg	Remarks
010	1A494-04020	KMP.GETRIEBE GEHAEUSE	CASE,GEAR, COMP	1			4.600	
020	16241-96020	STOPFEN	PLUG	3			0.015	
030	1A021-96020	STOPFEN	PLUG	1			0.020	
040	05012-00612	ZYLINDERSTIFT	PIN, STRAIGHT	2			0.003	
050	1G742-32615	HALTER, OELFILTER	BASE,OIL FILTER	1			0.245	
060	1J860-32620	DICHTUNGSP LATTE	GASKET(OIL FILTER BASE)	1			0.002	
070	01754-50830	SCHRAUBE	BOLT,FLANG E	1			0.050	
080	17331-32880	DECKEL	COVER	1			0.075	
090	17331-32910	KOMP.BOLZE N	BOLT,COMP	1			0.070	
100	17331-32900	BOLZEN	BOLT	1			0.060	
110	04817-00150	O RING	O RING	1			0.001	
120	19202-96830	O RING	O RING	1			0.010	
130	1G701-04130	DICHTUNG	GASKET,GEA R CASE	1			0.021	
140	01754-50830	SCHRAUBE	BOLT,FLANG E	1			0.050	
150	1A021-91030	SCHRAUBE	BOLT,SEMS	5			0.030	
160	16467-91020	BOLZEN	HEX.BOLT	1			0.030	
170	01754-50875	SCHRAUBE	BOLT,FLANG E	2			0.030	
180	01754-50890	SCHRAUBE	BOLT,FLANG E	1			0.030	
190	01754-50885	SCHRAUBE	BOLT,FLANG E	3			0.032	
200	1A021-91040	SCHRAUBE	BOLT	2			0.045	
210	1A021-32290	VERBINDUNG SSTUECK	PIPE(JOINT)	1			0.050	
220	15241-36950	FEDER	SPRING	1			0.004	
230	15521-36930	SITZ,VENTIL	SEAT,VALVE	1			0.015	
240	07715-03213	KUGEL	BALL	1			0.004	
250	15521-73320	FLANSCH	FLANGE,WAT ER RETURN	1			0.040	

BKIDK5263 >> ST401C >> MOTOR / ENGINE >> 000402 GETRIEBE GEHAEUSE / GEAR CASE

Update Date : 2020/02/20 Print Date : 2022/03/15

No.	Part Number	Part Name (POL)	Part Name (ENG)	QTY	IC	Serial No./PIN	Kg	Remarks
260	1A021-73332	DICHTUNGSP LATTE	GASKET (RETURN FLANGE)	1			0.001	
270	01023-50620	BOLZEN	BOLT,SEMS	3			0.006	
280	HH164-32430	OELFILTERP ATRONE	FILTER (CARTRIDGE, OIL)	1			0.500	
290	1G847-64350	STUETZE	SUPPORT (ALTERNATO R)	1			0.160	

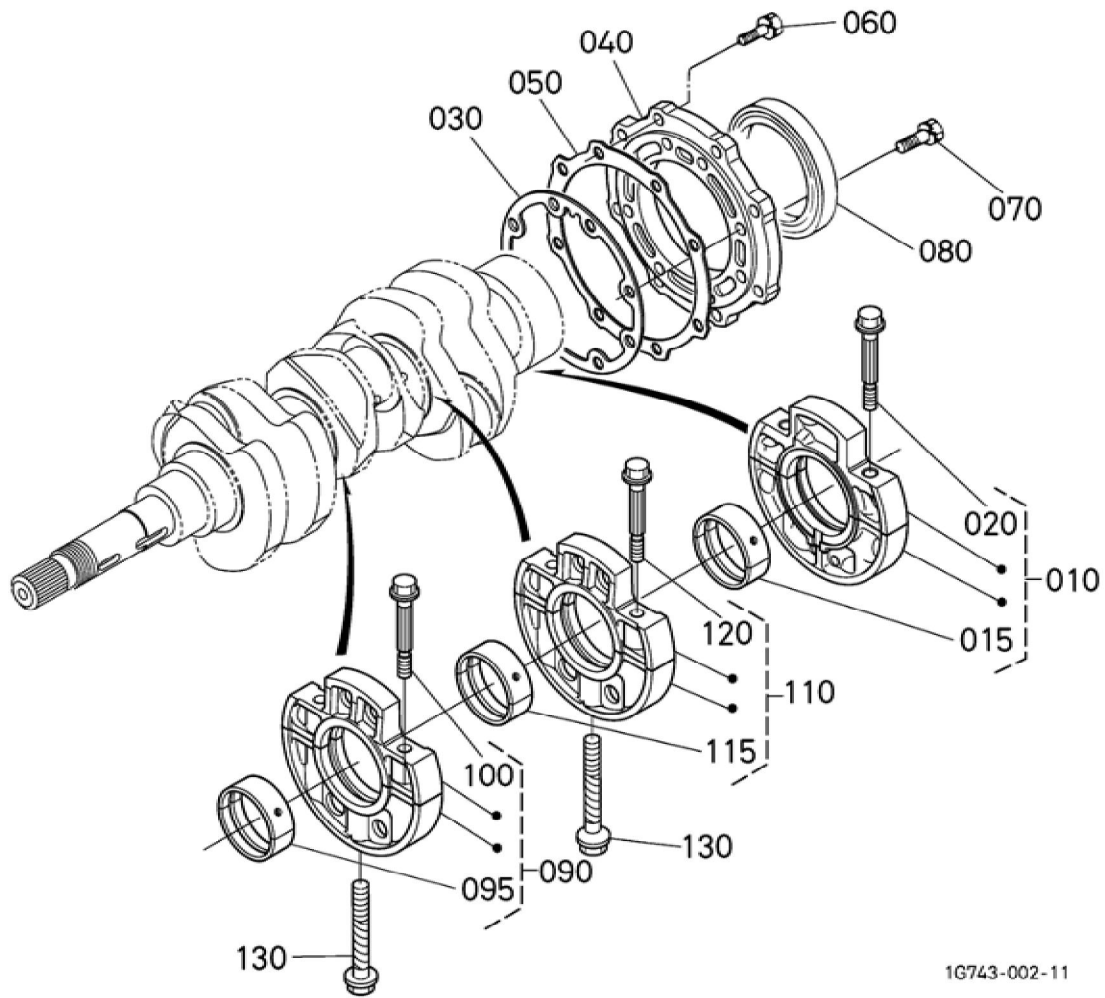


BKIDK5263 >> ST401C >> MOTOR / ENGINE >> 000500 DECKEL OBEN / HEAD COVER

Update Date : 2020/02/20 Print Date : 2022/03/15

No.	Part Number	Part Name (POL)	Part Name (ENG)	QTY	IC	Serial No./PIN	Kg	Remarks
010	1A091-05580	KLAMMER	CLAMP	1			0.006	
020	01123-50822	BOLZEN	BOLT,SEMS	1			0.012	
030	1A021-14505	VENTILDECKEL	ASSY COVER,CYL. HEAD	1			1.240	
050	17331-73342	WASSERROHR	PIPE,WATER RETURN	1			0.010	
060	1A021-14523	VENTILDECKELDICHTUNG	GASKET (COVER,HEAD)	1			0.020	
070	1G742-05120	ENTLUEFTERDECKEL	COVER,BREATHHER	1			0.035	
080	1A021-05430	O RING	O RING,BREATHHER	1			0.001	
090	03054-50510	SCHRAUBE	SCREW,PAN HEAD (PHILLIPS)	4			0.003	
100	1G911-91022	BOLZEN	BOLT	8			0.015	
110	15837-05510	ENTLUEFTUNGSRÖHR	PIPE,BREATHHER	1			0.060	

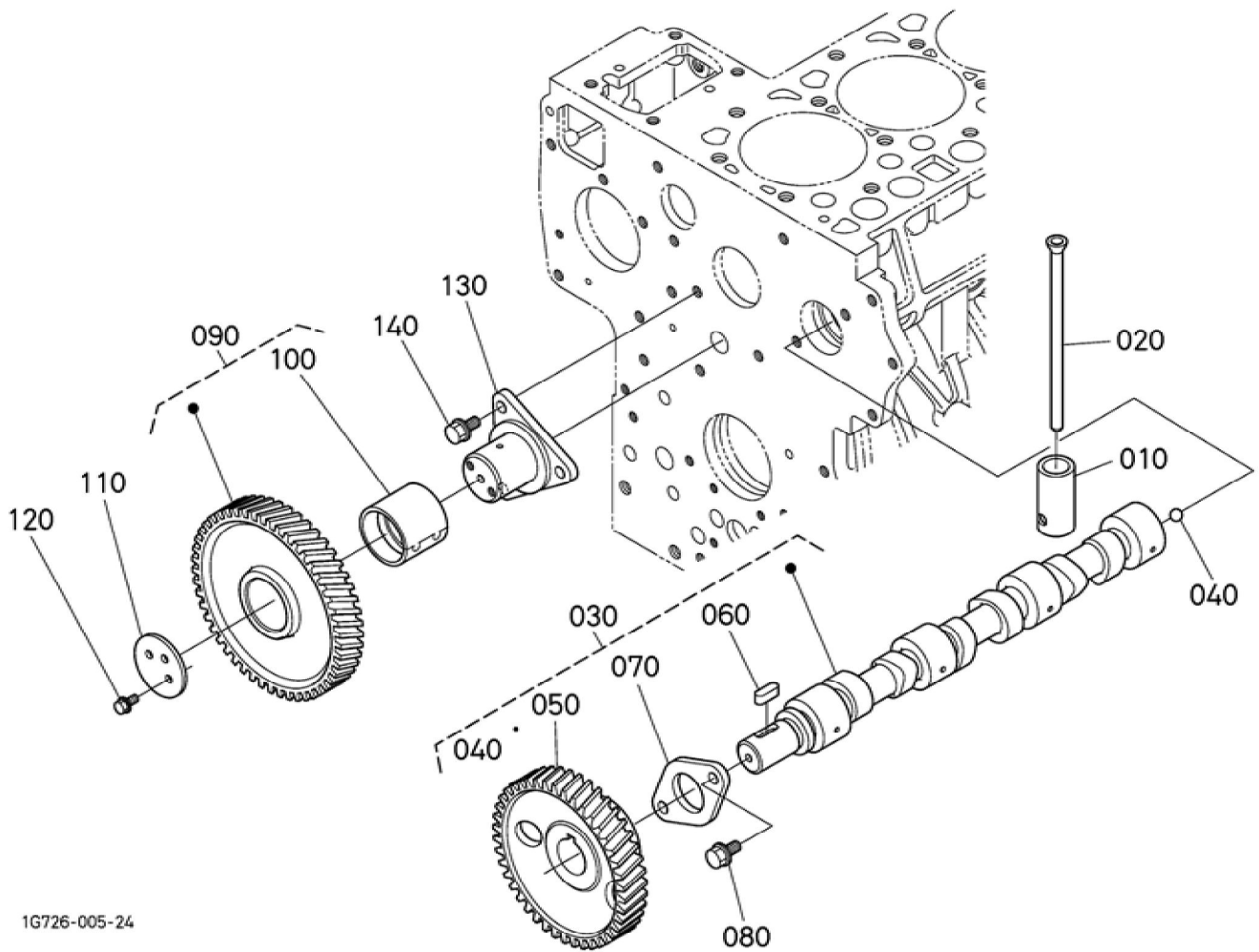
Update Date : 2020/02/20 Print Date : 2022/03/15



Update Date : 2020/02/20 Print Date : 2022/03/15

No.	Part Number	Part Name (POL)	Part Name (ENG)	QTY	IC	Serial No./PIN	Kg	Remarks
010	1A041-07095	GRP.LAGERGEHAEUSE	ASSY BRG.CASE,WHEEL	1			1.340	
015	1A091-23482	LAGERSCHAULE	METAL,CRANKSHAFT	1			0.050	STD SET
020	1A091-04540	BOLZEN, LAGERKASTEN	BOLT,BEARING CASE	2			0.035	
030	1A091-04362	DICHTUNG	GASKET,BEARING CASE	1			0.020	
040	1G851-04813	DECKEL,LAGERKASTEN	COVER,BEARING CASE	1			0.495	
050	1A091-04820	DICHTUNG	GASKET,CASE COVER	1			0.009	
060	01123-50825	BOLZEN	BOLT,SEMS	8			0.013	
070	01123-50828	BOLZEN	BOLT,SEMS	8			0.014	
080	16433-04460	OELDICHTUNGSRING	SEAL,OIL	1			0.063	
090	1A091-07045	GRP.LAGERGEHAEUSE	ASSY BRG.CASE,MAIN	1			1.340	
095	1A091-23482	LAGERSCHAULE	METAL,CRANKSHAFT	1			0.050	STD SET
100	1A091-04540	BOLZEN, LAGERKASTEN	BOLT,BEARING CASE	2			0.035	
110	1A091-07055	GRP.LAGERGEHAEUSE	ASSY BRG.CASE,MAIN	1			1.340	
115	1A091-23482	LAGERSCHAULE	METAL,CRANKSHAFT	1			0.050	STD SET
120	1A091-04540	BOLZEN, LAGERKASTEN	BOLT,BEARING CASE	2			0.035	
130	15601-04560	BOLZEN, LAGERKASTEN	BOLT,BEARING CASE	2			0.060	

Update Date : 2020/02/20 Print Date : 2022/03/15



1G726-005-24



Download the full PDF manual instantly.

Our customer service e-mail:

aservicemanualpdf@yahoo.com