

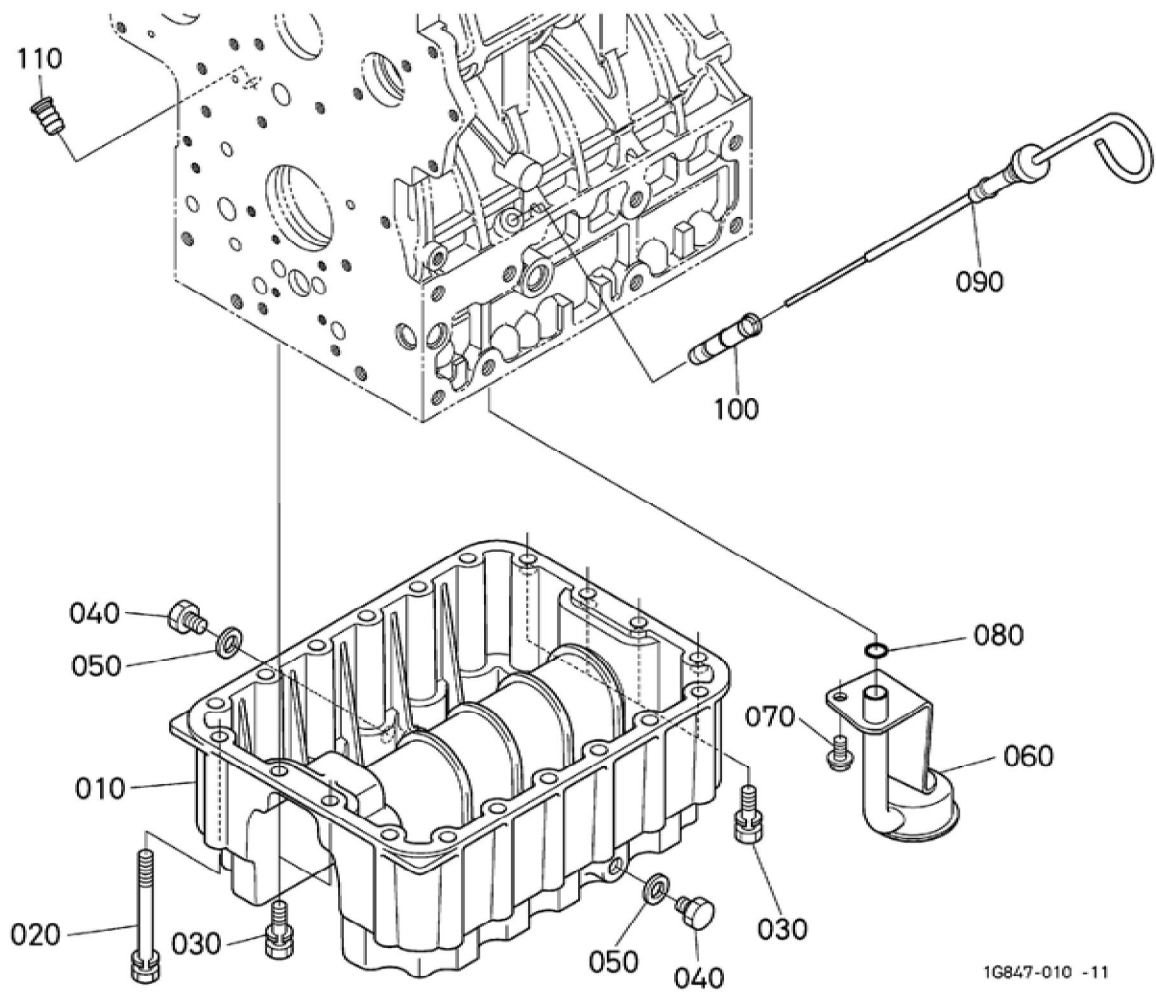
BKIDK5260 >> ST401 >> MOTOR / ENGINE >> 000102 KURBELGHAEUSE / CRANKCASE

Update Date : 2020/03/04 Print Date : 2022/03/15

| No. | Part Number | Part Name (POL) | Part Name (ENG) | QTY | IC | Serial No./PIN | Kg | Remarks |
|-----|-------------|---------------------|---------------------|-----|----|----------------|-------|---------|
| 010 | 1A388-01013 | KOMP.KURBELGEHAEUSE | CRANKCASE, COMP | 1 | | | 0.000 | |
| 020 | 15521-96020 | STOPFEN | PLUG | 5 | | | 0.003 | |
| 030 | 15521-96030 | STOPFEN | PLUG | 2 | | | 0.007 | |
| 040 | 17391-96160 | STOPFEN | PLUG,EXPANSION | 3 | | | 0.003 | |
| 050 | 16271-96160 | STOPFEN | PLUG,EXPANSION | 1 | | | 0.025 | |
| 060 | 15221-03380 | STOPFEN | CAP,SEALING | 5 | | | 0.017 | |
| 070 | 15221-03390 | STOPFEN | CAP,SEALING | 2 | | | 0.030 | |
| 080 | 05012-00408 | ZYLINDERSTIFT | PIN,STRAIGHT | 2 | | | 0.001 | |
| 090 | 05012-00609 | ZYLINDERSTIFT | PIN,STRAIGHT | 3 | | | 0.003 | |
| 100 | 05012-00612 | ZYLINDERSTIFT | PIN, STRAIGHT | 2 | | | 0.003 | |
| 110 | 05012-01018 | ZYLINDERSTIFT | PIN,STRAIGHT | 2 | | | 0.012 | |
| 120 | 15221-33650 | ROHRSTIFT | PIN,PIPE | 1 | | | 0.004 | |
| 130 | 06312-10020 | STOPFEN | W-PLUG | 1 | | | 0.016 | |
| 140 | 1G896-33610 | BOLZEN | PLUG | 1 | | | 0.008 | |
| 150 | 15021-33660 | DICHTUNGSPLATTE | PACKING | 1 | | | 0.001 | |
| 160 | 1J860-33140 | OELEINFUELLSSTOPFEN | PLUG,OIL FILLER | 1 | | | 0.030 | |
| 170 | 1A021-33112 | EINFUELLSFLANSCH | FLANGE,OIL FILLER | 1 | | | 0.070 | |
| 180 | 1A021-51663 | DICHTUNGSPLATTE | GASKET, PUMP COVER | 1 | | | 0.003 | |
| 190 | 01023-50618 | BOLZEN | BOLT,SEMS | 1 | | | 0.006 | |
| 200 | 15471-35013 | GRP.OELPUMPE | ASSY PUMP,OIL | 1 | | | 0.550 | |
| 210 | 1A021-35150 | DICHTUNGSPLATTE | GASKET,OIL PUMP | 1 | | | 0.001 | |
| 220 | 01023-50650 | BOLZEN | BOLT,SEMS | 4 | | | 0.012 | |
| 230 | 1G896-35660 | ZAHNRAD | GEAR,OIL PUMP DRIVE | 1 | | | 0.135 | |

Update Date : 2020/03/04 Print Date : 2022/03/15

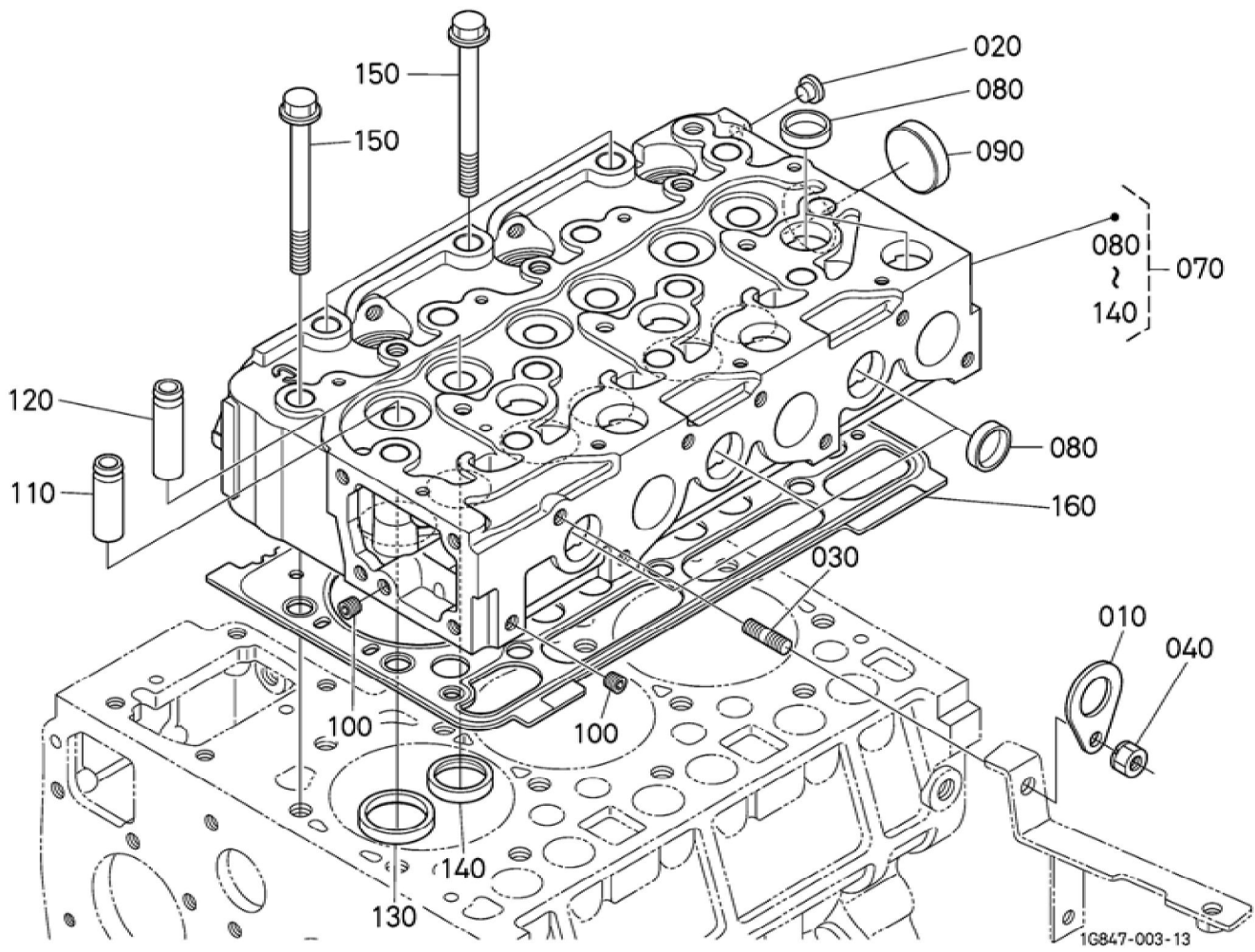
| No. | Part Number | Part Name (POL) | Part Name (ENG) | QTY | IC | Serial No./PIN | Kg | Remarks |
|-----|-------------|-----------------|-----------------------|-----|----|----------------|-------|---------|
| 240 | 05712-00410 | KEIL | KEY,FEATHER | 1 | | | 0.001 | |
| 250 | 15221-35682 | MUTTER | NUT | 1 | | | 0.014 | |
| 260 | 1A021-57483 | TRAEGER | BRACKET (ACCEL.CABLE) | 1 | | | 0.125 | |
| 270 | 01023-50622 | BOLZEN | BOLT,SEMS | 3 | | | 0.005 | |



BKIDK5260 >> ST401 >> MOTOR / ENGINE >> 000200 OELWANNE / OIL PAN

Update Date : 2020/03/04 Print Date : 2022/03/15

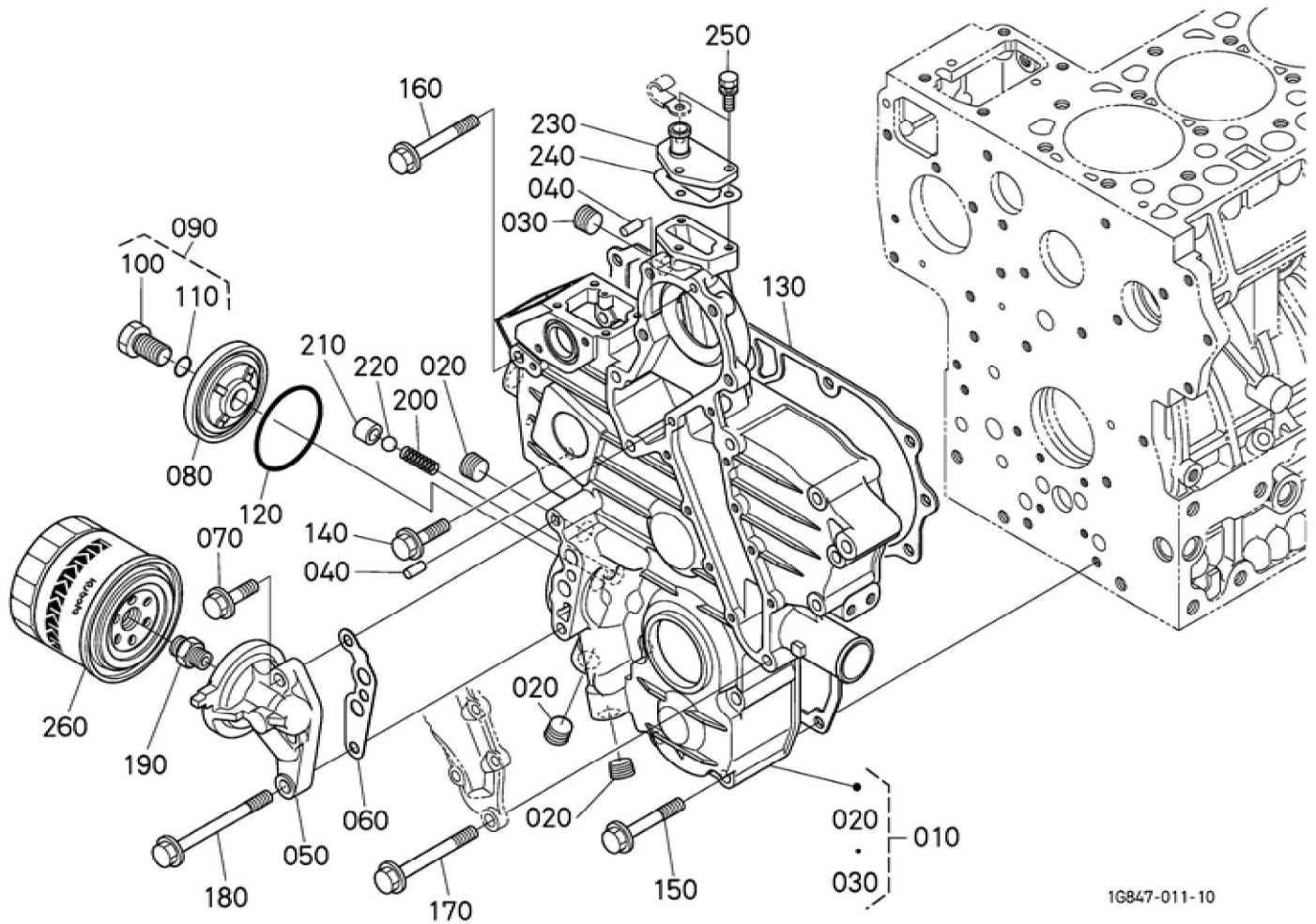
| No. | Part Number | Part Name (POL) | Part Name (ENG) | QTY | IC | Serial No./PIN | Kg | Remarks |
|-----|-------------|-----------------------|-------------------|-----|----|----------------|-------|---------|
| 010 | 1J830-01610 | OELWANNE | OIL PAN | 1 | | | 3.550 | |
| 020 | 01133-51002 | BOLZEN | BOLT,SEMS | 14 | | | 0.070 | |
| 030 | 1A091-91010 | BOLZEN | BOLT,SEMS | 6 | | | 0.025 | |
| 040 | 16427-33750 | ENTLEERUNGSSTOPFEN | PLUG,DRAIN | 2 | | | 0.030 | |
| 050 | 6C090-58960 | DICHTUNGSPLATTE | GASKET | 2 | | | 0.005 | |
| 060 | 1A328-32110 | OELFILTER | FILTER(OIL,1) | 1 | | | 0.240 | |
| 070 | 01754-50812 | SCHRAUBE | BOLT,FLANGE | 1 | | | 0.008 | |
| 080 | 04817-00160 | O RING | O RING | 1 | | | 0.001 | |
| 090 | 1G851-36414 | OELMESSSTAB | GAUGE,OIL | 1 | | | 0.040 | |
| 100 | 17456-36420 | FUEHRUNG, OELMESSSTAB | GUIDE (GAUGE,OIL) | 1 | | | 0.030 | |
| 110 | 1G513-36550 | STOPFEN, OELMESSSTAB | PLUG,OIL GAUGE | 1 | | | 0.004 | |



BKIDK5260 >> ST401 >> MOTOR / ENGINE >> 000300 ZYLINDERKOPF / CYLINDER HEAD

Update Date : 2020/03/04 Print Date : 2022/03/15

| No. | Part Number | Part Name (POL) | Part Name (ENG) | QTY | IC | Serial No./PIN | Kg | Remarks |
|-----|-------------|----------------------------------|----------------------------|-----|----|----------------|--------|---------|
| 010 | 15221-01750 | MOTORHAKE N | HOOK,ENGIN E | 1 | | | 0.040 | |
| 020 | 09980-10075 | KAPPE | CAP,PROTEC TOR | 1 | | | 0.001 | |
| 030 | 15471-91530 | STEBOLZEN | BOLT,STUD | 1 | | | 0.010 | |
| 040 | 16429-92010 | MUTTER | NUT WITH LOCK WASHER | 1 | | | 0.007 | |
| 070 | 1G841-03043 | KOMP.ZYLIN DERKOPF | HEAD,CYL,C OMP | 1 | | | 15.000 | |
| 080 | 15221-03370 | STOPFEN | PLUG,CUP TYPE | 9 | | | 0.010 | |
| 090 | 15221-03490 | STOPFEN | CAP,SEALING | 1 | | | 0.020 | |
| 100 | 15261-96010 | STOPFEN | PLUG | 2 | | | 0.002 | |
| 110 | 1G896-13580 | EINLASSVEN TILFUEHRUN G | GUIDE,VALVE ,INLET | 3 | | <=7JVZ999 | 0.020 | |
| 110 | 1J829-13580 | VENTILFUEH RUNG | GUIDE,VALVE (INLET) | 3 | >> | >=7JW0001 | 0.020 | |
| 120 | 1C010-13560 | AUSLASSVEN TILFUEHRUN G | GUIDE,EXHA UST VALVE | 3 | | <=7JVZ999 | 0.025 | |
| 120 | 1J829-13560 | VENTILFUEH RUNG | GUIDE,VALVE (EXHAUST) | 3 | >> | >=7JW0001 | 0.020 | |
| 130 | 16415-13620 | VENTILSITZ, EINLASSVEN TIL | SEAT,VALVE (INLET) | 3 | | | 0.010 | |
| 140 | 16415-13612 | VENTILSITZ, AUSLASSVEN TIL | SEAT (EXHAUST VALVE) | 3 | | | 0.010 | |
| 150 | 19013-03450 | ZYLINDERKO PFSCHRAUB E | BOLT,HEAD (CYLINDER) | 14 | | | 0.077 | |
| 160 | 1G750-03312 | ZYLINDERKO PFDICHTUNG | GASKET,CYL. HEAD | 1 | | | 0.220 | |



BKIDK5260 >> ST401 >> MOTOR / ENGINE >> 000402 GETRIEBE GEHAEUSE / GEAR CASE

Update Date : 2020/03/04 Print Date : 2022/03/15

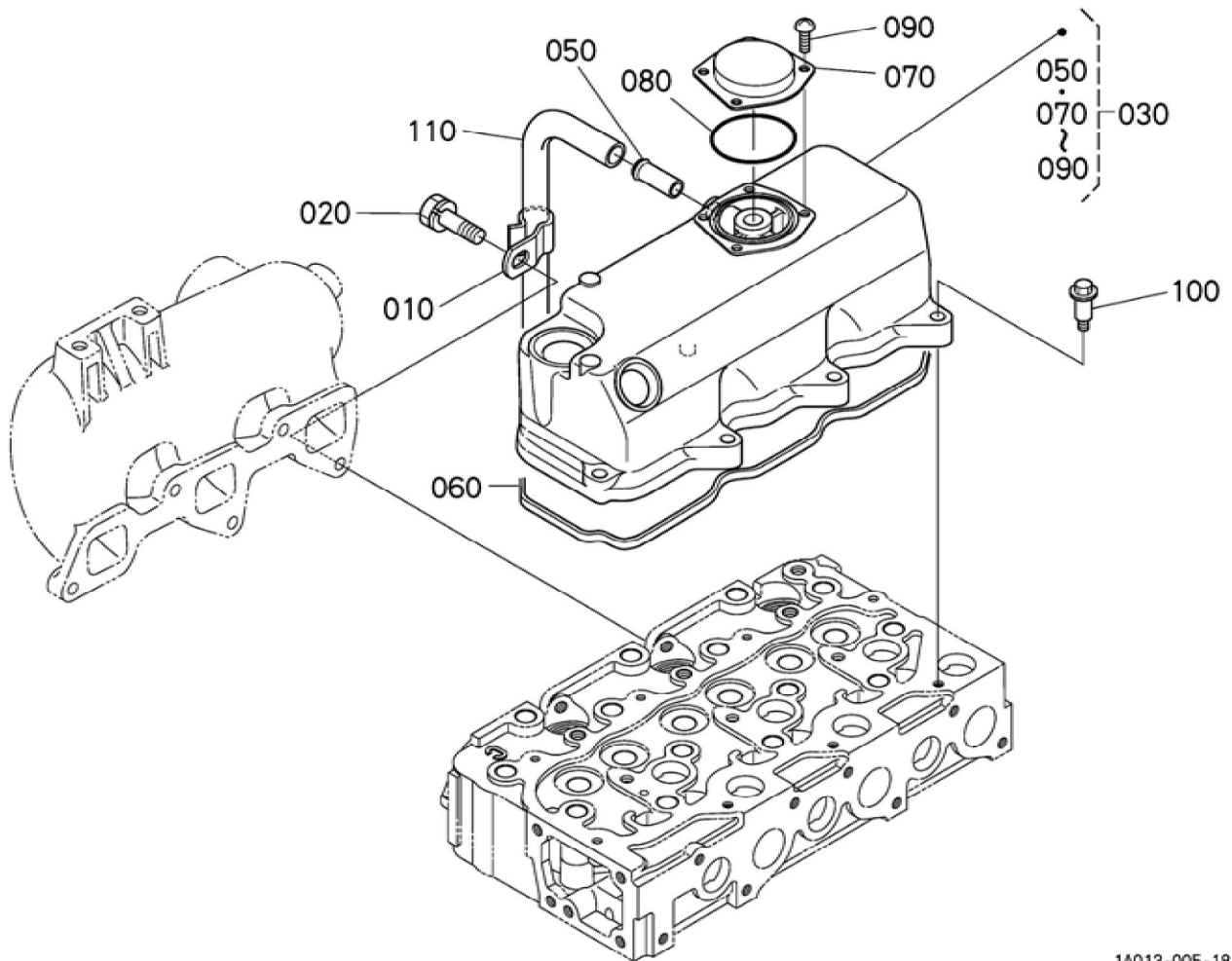
| No. | Part Number | Part Name (POL) | Part Name (ENG) | QTY | IC | Serial No./PIN | Kg | Remarks |
|-----|-------------|--------------------------|-------------------------------|-----|----|----------------|-------|---------|
| 010 | 1G423-04022 | KMP.GETRIEBE GEHAEUSE | COMP.CASE, GEAR | 1 | | | 3.850 | |
| 020 | 16241-96020 | STOPFEN | PLUG | 3 | | | 0.015 | |
| 030 | 1A021-96020 | STOPFEN | PLUG | 1 | | | 0.020 | |
| 040 | 05012-00612 | ZYLINDERSTIFT | PIN, STRAIGHT | 2 | | | 0.003 | |
| 050 | 1G742-32615 | HALTER, OELFILTER | BASE,OIL FILTER | 1 | | | 0.245 | |
| 060 | 1J860-32620 | DICHTUNGSP LATTE | GASKET(OIL FILTER BASE) | 1 | | | 0.002 | |
| 070 | 01754-50830 | SCHRAUBE | BOLT,FLANG E | 1 | | | 0.016 | |
| 080 | 17331-32880 | DECKEL | COVER | 1 | | | 0.075 | |
| 090 | 17331-32910 | KOMP.BOLZE N | BOLT,COMP | 1 | | | 0.070 | |
| 100 | 17331-32900 | BOLZEN | BOLT | 1 | | | 0.060 | |
| 110 | 04817-00150 | O RING | O RING | 1 | | | 0.001 | |
| 120 | 19202-96830 | O RING | O RING | 1 | | | 0.010 | |
| 130 | 1G701-04130 | DICHTUNG | GASKET,GEA R CASE | 1 | | | 0.021 | |
| 140 | 01754-50830 | SCHRAUBE | BOLT,FLANG E | 1 | | | 0.016 | |
| 150 | 1A021-91030 | SCHRAUBE | BOLT,SEMS | 7 | | | 0.030 | |
| 160 | 01754-50875 | SCHRAUBE | BOLT,FLANG E | 2 | | | 0.030 | |
| 170 | 01754-50885 | SCHRAUBE | BOLT,FLANG E | 3 | | | 0.032 | |
| 180 | 1A021-91040 | SCHRAUBE | BOLT | 2 | | | 0.045 | |
| 190 | 1A021-32290 | VERBINDUNG SSTUECK | PIPE(JOINT) | 1 | | | 0.050 | |
| 200 | 15241-36950 | FEDER | SPRING | 1 | | | 0.004 | |
| 210 | 15521-36930 | SITZ,VENTIL | SEAT,VALVE | 1 | | | 0.015 | |
| 220 | 07715-03213 | KUGEL | BALL | 1 | | | 0.004 | |
| 230 | 15521-73320 | FLANSCH | FLANGE,WAT ER RETURN | 1 | | | 0.040 | |
| 240 | 1A021-73332 | DICHTUNGSP LATTE | GASKET (RETURN FLANGE) | 1 | | | 0.001 | |

BKIDK5260 >> ST401 >> MOTOR / ENGINE >> 000402 GETRIEBE GEHAEUSE / GEAR CASE

Update Date : 2020/03/04 Print Date : 2022/03/15

| No. | Part Number | Part Name (POL) | Part Name (ENG) | QTY | IC | Serial No./PIN | Kg | Remarks |
|-----|-------------|----------------------|-------------------------------|-----|----|----------------|-------|---------|
| 250 | 01023-50620 | BOLZEN | BOLT,SEMS | 3 | | | 0.006 | |
| 260 | HH164-32430 | OELFILTERP ATRONE | FILTER (CARTRIDGE, OIL) | 1 | | | 0.500 | |

Update Date : 2020/03/04 Print Date : 2022/03/15

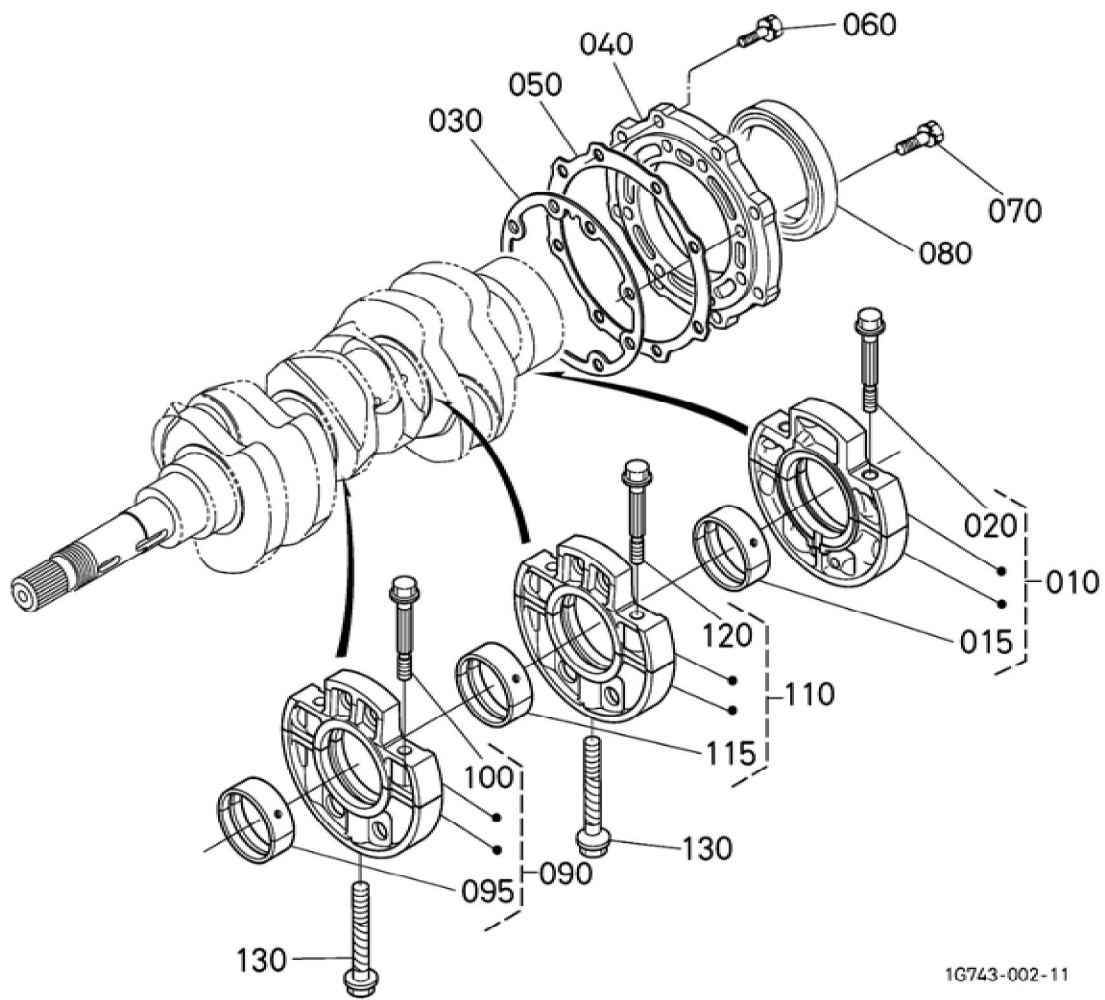


BKIDK5260 >> ST401 >> MOTOR / ENGINE >> 000500 DECKEL OBEN / HEAD COVER

Update Date : 2020/03/04 Print Date : 2022/03/15

| No. | Part Number | Part Name (POL) | Part Name (ENG) | QTY | IC | Serial No./PIN | Kg | Remarks |
|-----|-------------|---------------------|---------------------------|-----|----|----------------|-------|---------|
| 010 | 1A091-05580 | KLAMMER | CLAMP | 1 | | | 0.006 | |
| 020 | 01123-50822 | BOLZEN | BOLT,SEMS | 1 | | | 0.012 | |
| 030 | 1A021-14505 | VENTILDECKEL | ASSY COVER,CYL. HEAD | 1 | | | 1.240 | |
| 050 | 17331-73342 | WASSERROHR | PIPE,WATER RETURN | 1 | | | 0.010 | |
| 060 | 1A021-14523 | VENTILDECKELDICHUNG | GASKET (COVER,HEAD) | 1 | | | 0.020 | |
| 070 | 1G742-05120 | ENTLUEFTERDECKEL | COVER,BREATH ER | 1 | | | 0.035 | |
| 080 | 1A021-05430 | O RING | O RING,BREATH ER | 1 | | | 0.001 | |
| 090 | 03054-50510 | SCHRAUBE | SCREW,PAN HEAD (PHILLIPS) | 4 | | | 0.003 | |
| 100 | 1G911-91022 | BOLZEN | BOLT | 8 | | | 0.015 | |
| 110 | 15837-05510 | ENTLUEFTUNGSRÖHR | PIPE,BREATH ER | 1 | | | 0.060 | |

Update Date : 2020/03/04 Print Date : 2022/03/15





Download the full PDF manual instantly.

Our customer service e-mail:

aservicemanualpdf@yahoo.com