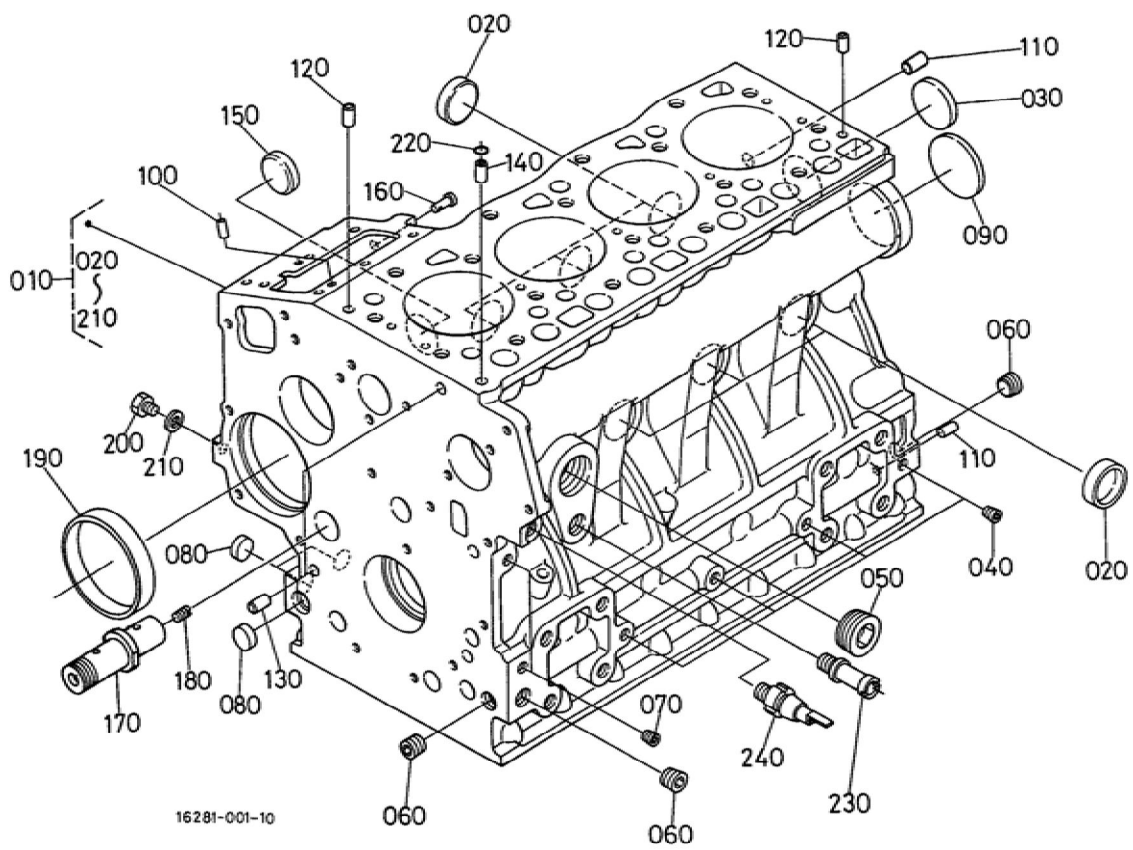


Update Date : 2020/04/27 Print Date : 2022/03/14



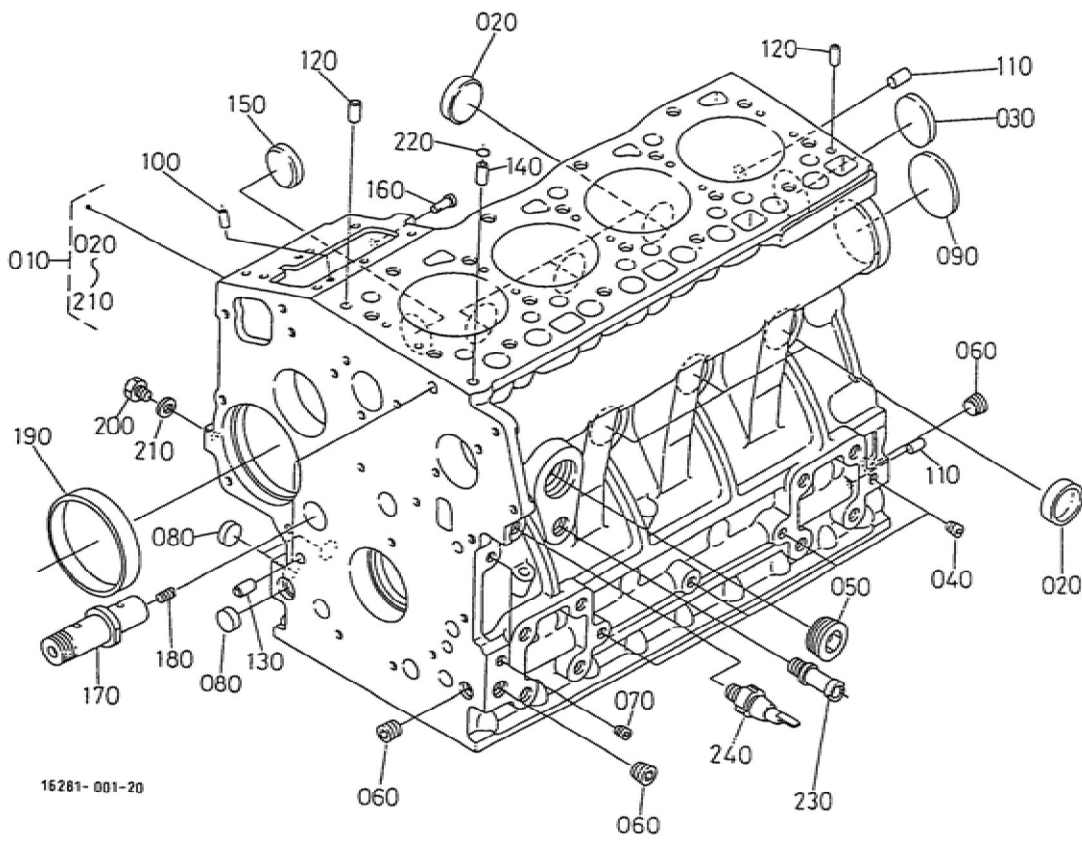
Update Date : 2020/04/27 Print Date : 2022/03/14

No.	Part Number	Part Name (POL)	Part Name (ENG)	QTY	IC	Serial No./PIN	Kg	Remarks
010	16281-01033	KOMP.KURBELGEHAEUSE	COMP.CRANKCASE	1		<=550292	0.000	
010	16281-01035	KOMP.KURBELGEHAEUSE	COMP.CRANKCASE	1	>>	=>550293	46.000	
010	16281-01035	KOMP.KURBELGEHAEUSE	COMP.CRANKCASE	1		<=741870	46.000	
010	16281-01035	KOMP.KURBELGEHAEUSE	COMP.CRANKCASE	1		=>10001	46.000	
010	16281-01035	KOMP.KURBELGEHAEUSE	COMP.CRANKCASE	1		<=116859	46.000	
020	15451-96270	KAPPE	CAP SEALING	6			0.010	
030	15221-03490	STOPFEN	CAP SEALING	1			0.020	
040	15261-96010	STOPFEN	PLUG	4			0.002	
050	16271-96020	STOPFEN	PLUG	1		<=550292	0.000	
050	16683-96020	STOPFEN	PLUG	1	>>	=>550293	0.088	
060	16241-96010	STOPFEN	PLUG	3			0.007	
070	15521-96020	STOPFEN	PLUG	2			0.003	
080	17391-96160	STOPFEN	PLUG EXPANSION	3			0.003	
090	16271-96160	STOPFEN	PLUG EXPANSION	1			0.025	
100	05012-00508	ZYLINDERSTIFT	PIN STRAIGHT	2			0.001	
110	05012-00814	ZYLINDERSTIFT	PIN STRAIGHT	2			0.006	
120	05012-00610	ZYLINDERSTIFT	PIN STRAIGHT	2			0.003	
130	15231-33960	ROHRSTIFT	PIN PIPE	2			0.001	
140	16241-33650	ROHRSTIFT	PIN PIPE	1			0.002	
150	15221-56280	STARTFEDERSTIFT	PLUG FUEL CAMSHAFT	1			0.006	
160	16221-56280	STARTFEDERSTIFT	PIN START SPRING	1			0.005	
170	16251-24260	WELLE	SHAFT IDLE GEAR	1			0.180	
180	15521-93610	ANSCHLAGSCHRAUBE	SCREW SET	1			0.002	

Update Date : 2020/04/27 Print Date : 2022/03/14

No.	Part Number	Part Name (POL)	Part Name (ENG)	QTY	IC	Serial No./PIN	Kg	Remarks
190	16271-55350	BUCHSE	BUSH GOVERNOR GEAR	1			0.060	
200	15221-33610	STOPFEN	PLUG	1			0.009	
210	15021-33660	DICHTUNGSP LATTE	GASKET	1			0.001	
220	15221-33700	O RING	O RING	1			0.001	
230	15321-73340	WASSERROH R	PIPE WATER RETURN	1			0.016	
240	15531-39010	OELDRUCKS CHALTER	SWITCH OIL	1			0.032	
251	16251-24060	WELLE KOMP.	COMP SHAFT IDLE	1			0.180	

Update Date : 2020/04/27 Print Date : 2022/03/14

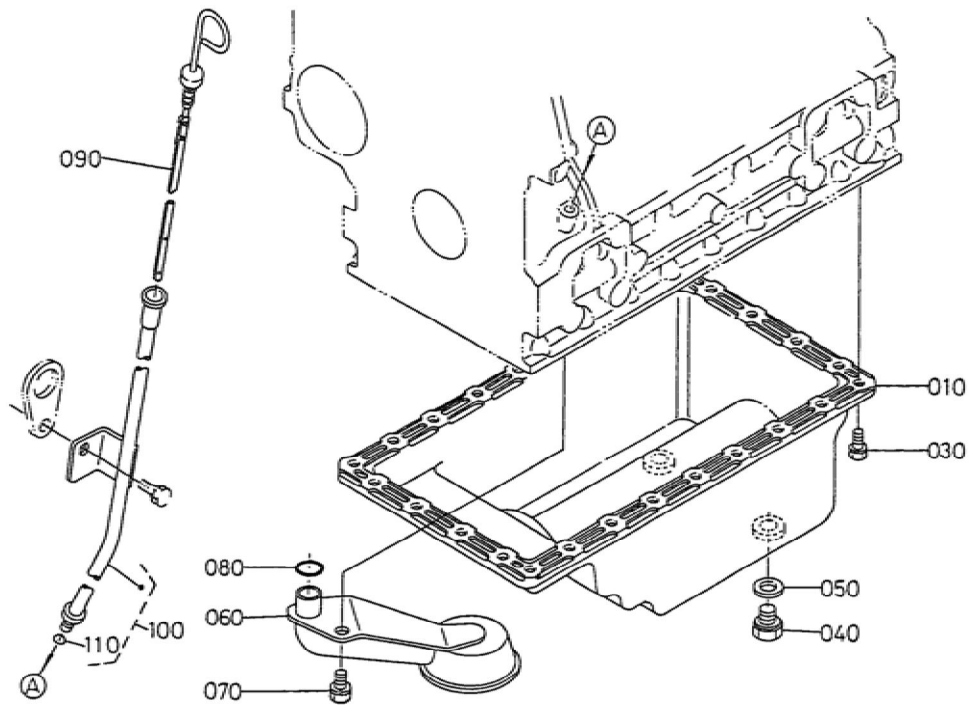


Update Date : 2020/04/27 Print Date : 2022/03/14

No.	Part Number	Part Name (POL)	Part Name (ENG)	QTY	IC	Serial No./PIN	Kg	Remarks
010	16281-01035	KOMP.KURBELGEHAEUSE	COMP.CRANKCASE	1		<=741870	46.000	
010	16281-01035	KOMP.KURBELGEHAEUSE	COMP.CRANKCASE	1		=>10001	46.000	
010	16281-01036	KOMP.KURBELGEHAEUSE	COMP.CRANKCASE	1	NI	=>116860	48.000	
020	15451-96270	KAPPE	CAP SEALING	6			0.010	
030	15221-03490	STOPFEN	CAP SEALING	1			0.020	
040	15261-96010	STOPFEN	PLUG	4			0.002	
050	16683-96020	STOPFEN	PLUG	1			0.088	
060	16241-96010	STOPFEN	PLUG	3			0.007	
070	15521-96020	STOPFEN	PLUG	2			0.003	
080	17391-96160	STOPFEN	PLUG EXPANSION	3			0.003	
090	16271-96160	STOPFEN	PLUG EXPANSION	1			0.025	
100	05012-00508	ZYLINDERSTIFT	PIN STRAIGHT	2			0.001	
110	05012-00814	ZYLINDERSTIFT	PIN STRAIGHT	2			0.006	
120	05012-00610	ZYLINDERSTIFT	PIN STRAIGHT	2			0.003	
130	15231-33960	ROHRSTIFT	PIN PIPE	2			0.001	
140	16241-33650	ROHRSTIFT	PIN PIPE	1			0.002	
150	16241-96262	STOPFEN	PLUG FUEL CAMSHAFT	1			0.007	
160	15221-56283	STARTFEDERSTIFT	PIN START SPRING	1			0.000	
170	16251-24260	WELLE	SHAFT IDLE GEAR	1			0.180	
180	15521-93610	ANSCHLAGSCHRAUBE	SCREW SET	1			0.002	
190	16271-55350	BUCHSE	BUSH GOVERNOR GEAR	1			0.060	
200	15221-33610	STOPFEN	PLUG	1			0.009	
210	15021-33660	DICHTUNGSPLATTE	GASKET	1			0.001	

Update Date : 2020/04/27 Print Date : 2022/03/14

No.	Part Number	Part Name (POL)	Part Name (ENG)	QTY	IC	Serial No./PIN	Kg	Remarks
220	15221-33700	O RING	O RING	1			0.001	
230	15321-73340	WASSERROH R	PIPE WATER RETURN	1			0.016	
240	15531-39010	OELDRUCKS CHALTER	SWITCH OIL	1			0.032	
251	16251-24060	WELLE KOMP.	COMP SHAFT IDLE	1			0.180	

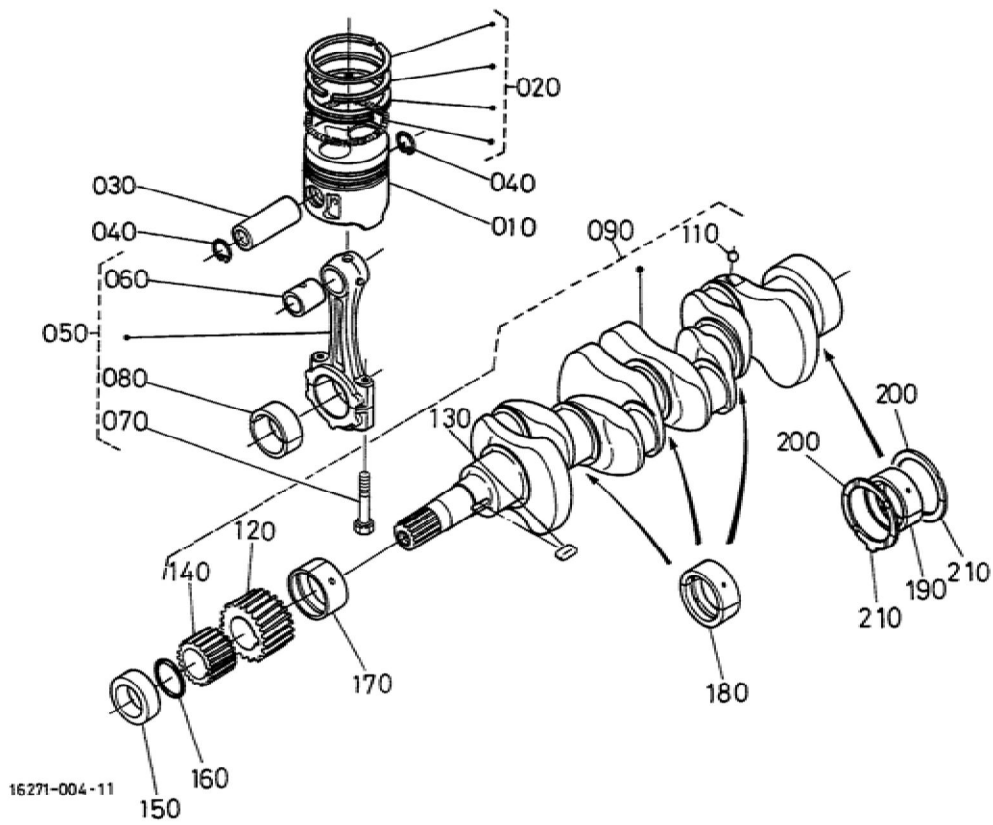


BKIDK0259 >> ST-30 >> MOTOR / ENGINE >> T00200 OL-FANGER / OIL PAN

Update Date : 2020/04/27 Print Date : 2022/03/14

No.	Part Number	Part Name (POL)	Part Name (ENG)	QTY	IC	Serial No./PIN	Kg	Remarks
010	16271-01502	KOMP.OELW ANNE	COMP.OIL PAN	1			1.700	
030	01023-50612	BOLZEN	BOLT	26			0.005	
040	16271-33750	STOPFEN	PLUG	2			0.034	
050	16271-33660	DICHTUNGSP LATTE	GASKET	2			0.000	
050	15109-14630	DICHTUNGSP LATTE	GASKET	2			0.001	
050	15471-96650	DICHTUNGSP LATTE	GASKET	2	=		0.002	
060	16271-32113	OELFILTER	FILTER OIL	1		<=749870	0.000	
060	16271-32113	OELFILTER	FILTER OIL	1		=>10001	0.000	
060	16271-32113	OELFILTER	FILTER OIL	1		<=25928	0.000	
060	16271-32114	OELFILTER	FILTER OIL	1	>>	=>25929	0.220	
070	01123-50816	SCHRAUBE	BOLT	1			0.011	
080	04814-00160	O RING	O RING	1			0.001	
090	16271-36413	OELMESSST AB	GAUGE OIL	1	=	<=741870	0.040	
090	16271-36413	OELMESSST AB	GAUGE OIL	1		=>10001	0.040	
090	16271-36413	OELMESSST AB	GAUGE OIL	1	>>	=>139736	0.040	
100	16241-36500	GRP.FUEHRU NG	ASSY GUIDE OIL GAUGE	1			0.140	
110	04814-00090	O RING	O RING	1			0.001	

Update Date : 2020/04/27 Print Date : 2022/03/14





Download the full PDF manual instantly.

Our customer service e-mail:

aservicemanualpdf@yahoo.com