

BKIDK0492 >> ST ALPHA-35 >> MOTOR / ENGINE >> 000102 KURBELGHAEUSE / CRANKCASE

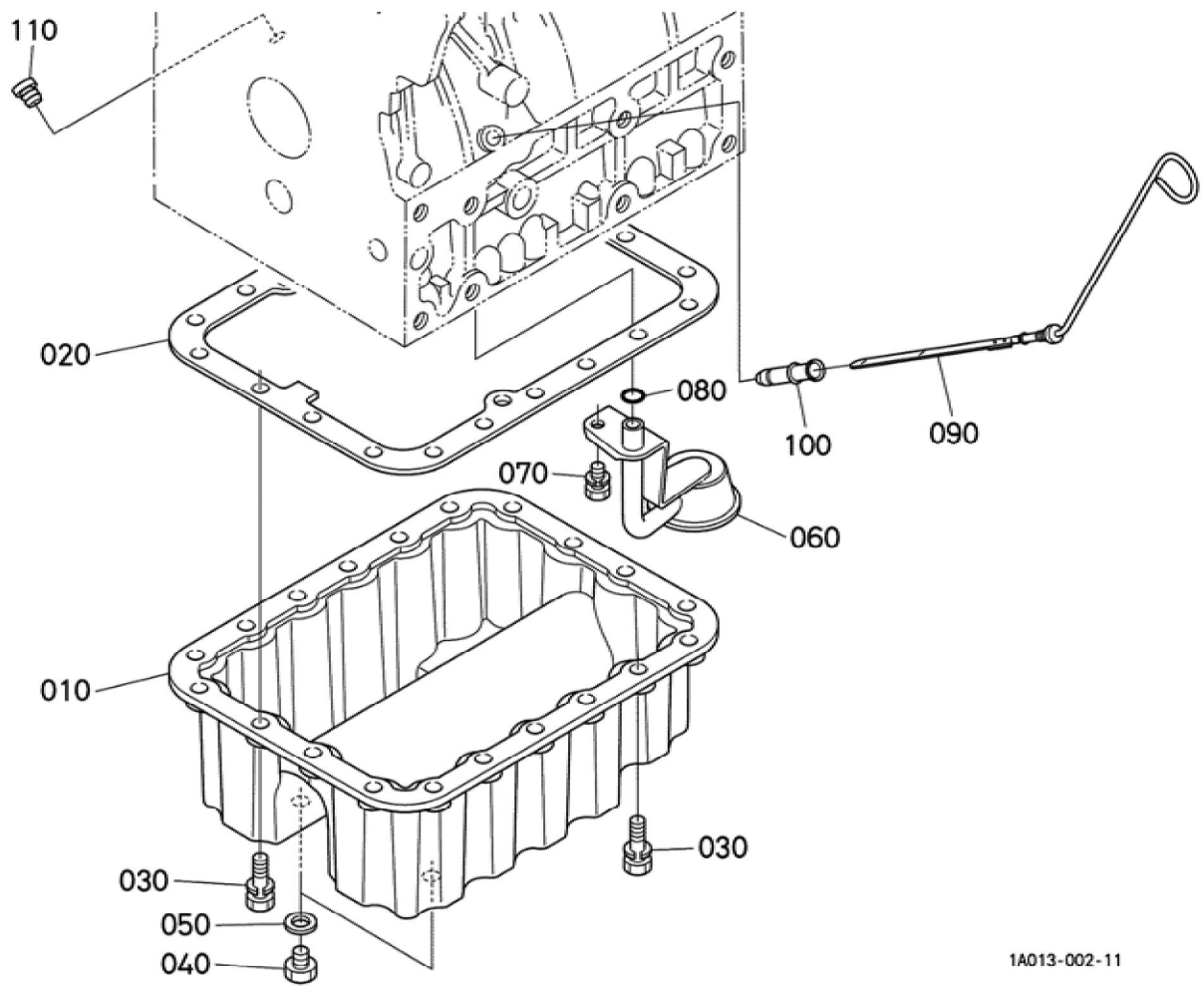
Update Date : 2019/01/17 Print Date : 2022/03/14

No.	Part Number	Part Name (POL)	Part Name (ENG)	QTY	IC	Serial No./PIN	Kg	Remarks
010	1A033-01010	KOMP.KURBELGEHAEUSE	COMP.CRANKCASE	1		<=1Y0497	48.500	
010	1A033-01013	KOMP.KURBELGEHAEUSE	COMP.CRANKCASE	1		>=2A0001	48.500	
010	1A033-01014	KOMP.KURBELGEHAEUSE	COMP.CRANKCASE	1	NI	>=3S0001	48.500	
020	15521-96020	STOPFEN	PLUG	5			0.003	
030	15521-96030	STOPFEN	PLUG	2			0.007	
040	17391-96160	STOPFEN	PLUG,EXPANSION	3			0.003	
050	06311-75045	STOPFEN	PLUG,EXPANSION	1		<=3G0450	0.026	
050	16271-96160	STOPFEN	PLUG,EXPANSION	1	NI	>=3J0001	0.025	
060	15221-03380	STOPFEN	CAP,SEALING	5			0.017	
070	15221-03390	STOPFEN	CAP,SEALING	2			0.030	
080	05012-00408	ZYLINDERSTIFT	PIN,STRAIGHT	2			0.001	
090	05012-00609	ZYLINDERSTIFT	PIN,STRAIGHT	3			0.003	
100	05012-00612	ZYLINDERSTIFT	PIN,STRAIGHT	2			0.003	
110	05012-01018	ZYLINDERSTIFT	PIN,STRAIGHT	2			0.012	
120	15221-33650	ROHRSTIFT	PIN,PIPE	1			0.004	
130	15321-73340	WASSERROHR	PIPE(WATER RETURN)	1			0.016	
140	15221-33610	STOPFEN	PLUG	1			0.009	
140	15469-33610	STOPFEN	PLUG	1	=		0.008	
150	15021-33660	DICHTUNGSPLATTE	PACKING	1			0.001	
160	15571-33140	OELEINFUELSSTOPFEN	PLUG,OIL FILLER	1		<=1L0119	0.030	
160	16427-33140	OELEINFUELSSTOPFEN	PLUG,OIL FILLER	1	>>	>=1N0001	0.025	
170	1A021-33110	FLANSCH	FLANGE,OIL FILLER	1			0.070	

BKIDK0492 >> ST ALPHA-35 >> MOTOR / ENGINE >> 000102 KURBELGHAEUSE / CRANKCASE

Update Date : 2019/01/17 Print Date : 2022/03/14

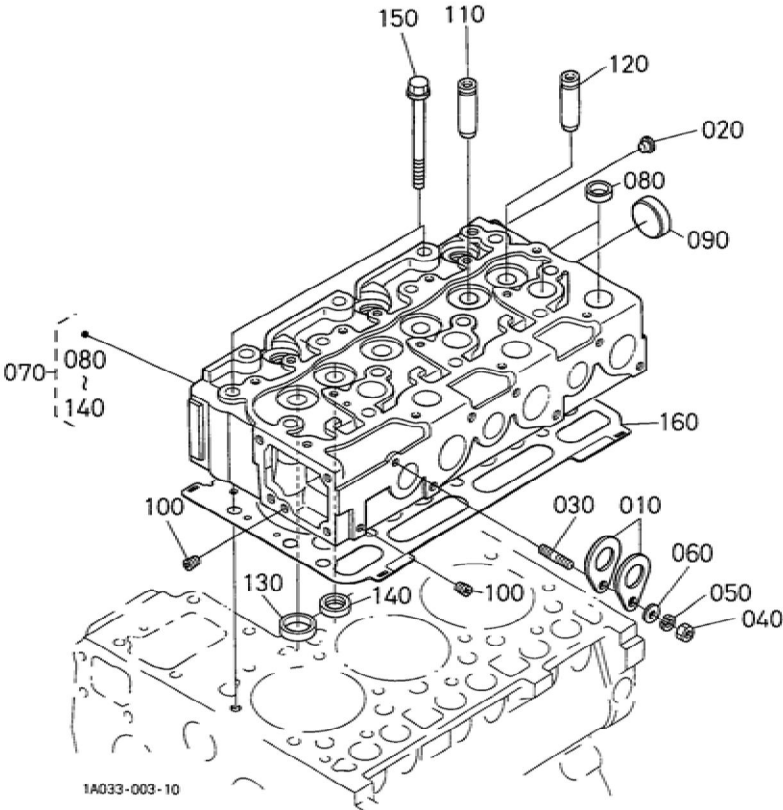
No.	Part Number	Part Name (POL)	Part Name (ENG)	QTY	IC	Serial No./PIN	Kg	Remarks
180	1A021-51660	DICHTUNGSP LATTE	GASKET, PUMP COVER	1			0.003	
190	01023-50618	BOLZEN	BOLT,SEMS	1			0.006	
200	15471-35012	GRP.OELPUM PE	ASSY PUMP OIL	1			0.550	
210	1A021-35150	DICHTUNGSP LATTE	GASKET,OIL PUMP	1			0.001	
220	01023-50650	BOLZEN	BOLT,SEMS	4			0.012	
230	19202-35660	ZAHNRAD	GEAR,OIL PUMP DRIVE	1			0.230	
240	05712-00410	KEIL	KEY,FEATHE R	1			0.001	
250	15221-35682	MUTTER	NUT	1			0.014	
260	1A021-57480	HALTER	BRACKET,AC CEL.CABLE	1		<=17435	0.125	
260	1A021-57483	TRAEGER	BRACKET (ACCEL.CABL E)	1	>>	>=17436	0.125	
270	01023-50622	BOLZEN	BOLT,SEMS	3			0.005	



BKIDK0492 >> ST ALPHA-35 >> MOTOR / ENGINE >> 000200 OL-FANGER / OIL PAN

Update Date : 2019/01/17 Print Date : 2022/03/14

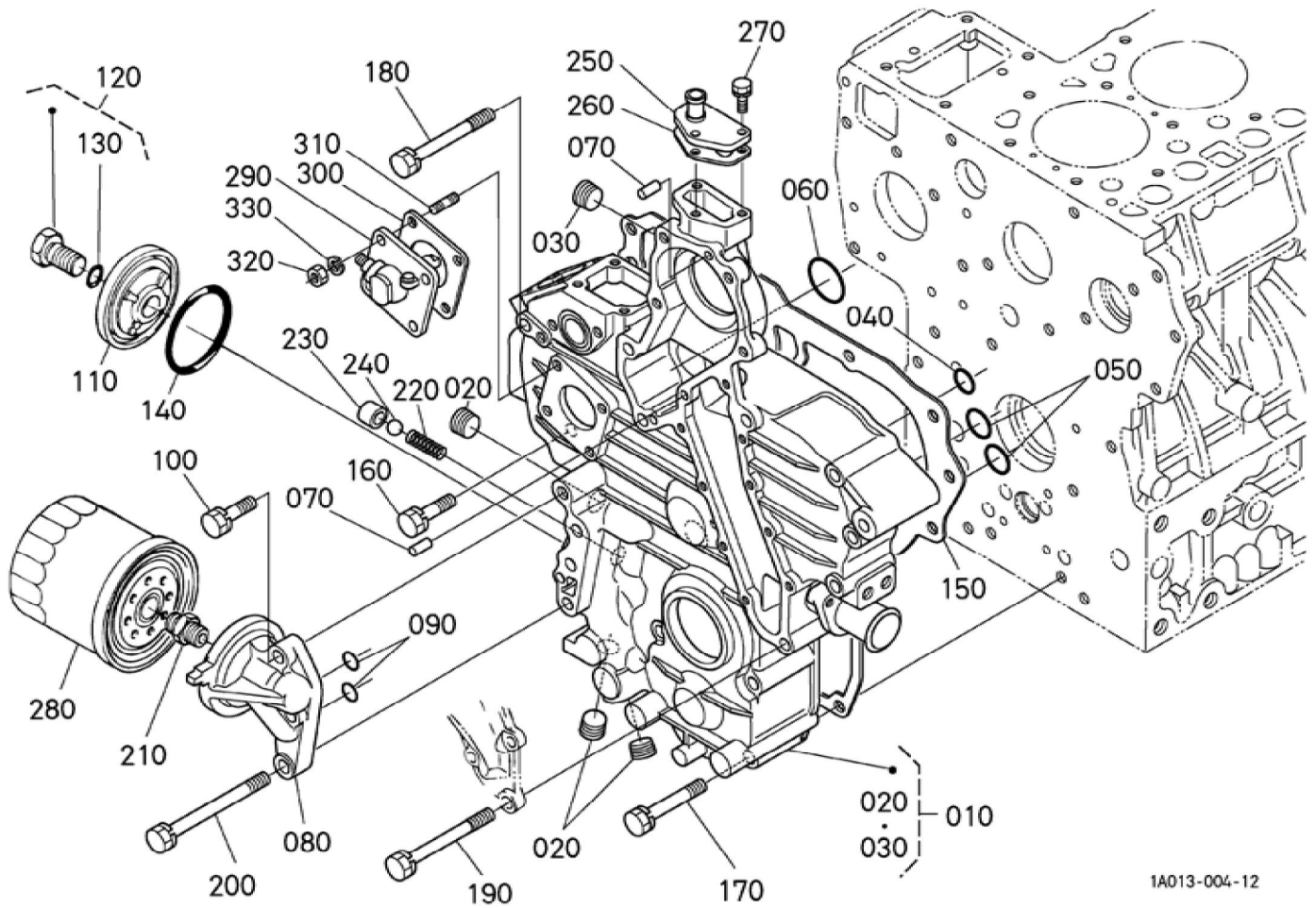
No.	Part Number	Part Name (POL)	Part Name (ENG)	QTY	IC	Serial No./PIN	Kg	Remarks
010	1A033-01610	OELWANNE	OIL PAN	1			7.800	
020	1A021-01620	DICHTUNG	GASKET,OIL PAN	1			0.014	
030	01133-51028	BOLZEN	BOLT,SEMS	20			0.027	
040	16427-33750	ENTLEERUNGSSTOPFEN	PLUG,DRAIN	2			0.030	
050	6C090-58960	DICHTUNGSPLATTE	GASKET	2			0.005	
060	16427-32110	OELFILTER	FILTER,OIL	1			0.200	
070	01123-50814	BOLZEN	BOLT,SEMS	1			0.010	
080	04811-00160	O RING	O RING	1			0.001	
080	04817-00160	O RING	O RING	1	>>		0.001	
090	1A033-36410	OELMESSSTAB	GAUGE,OIL	1			0.050	
100	17456-36420	FUEHRUNG, OELMESSSTAB	GUIDE (GAUGE,OIL)	1			0.030	
110	1G513-36550	STOPFEN, OELMESSSTAB	PLUG,OIL GAUGE	1		>=2A0001	0.004	



BKIDK0492 >> ST ALPHA-35 >> MOTOR / ENGINE >> 000302 ZYLINDERKOPF / CYLINDER HEAD

Update Date : 2019/01/17 Print Date : 2022/03/14

No.	Part Number	Part Name (POL)	Part Name (ENG)	QTY	IC	Serial No./PIN	Kg	Remarks
010	15221-01750	MOTORHAKE N	HOOK,ENGINE	2			0.040	
020	09980-10075	KAPPE	CAP,PROTECTOR	1			0.001	
030	15471-91530	STEBBOLZEN	BOLT,STUD	1			0.010	
040	02156-50080	MUTTER	HEX.NUT	1			0.004	
050	04512-50080	FEDERRING	WASHER SPRING	1			0.002	
060	04012-50080	SCHEIBE	WASHER,PLAIN	1			0.001	
070	1A033-03040	KOMP.ZYLINDERKOPF	COMP.CYLINDER HEAD	1		<=2A0506	15.000	
070	1A033-03042	KOMP.ZYLINDERKOPF	COMP.CYLINDER HEAD	1	>>	>=2C0001	15.000	
080	15221-03370	STOPFEN	PLUG,CUP TYPE	9			0.010	
090	15221-03490	STOPFEN	CAP,SEALING	1			0.020	
100	15261-96010	STOPFEN	PLUG	2			0.002	
110	17321-13580	EINLASSVENTILFUEHRUNG	GUIDE,INLET VALVE	3			0.015	
120	1C010-13560	AUSLASSVENTILFUEHRUNG	GUIDE,EXHAUST VALVE	3			0.025	
130	16415-13620	VENTILSITZ, EINLASSVENTIL	SEAT,VALVE (INLET)	3			0.010	
140	16415-13612	VENTILSITZ, AUSLASSVENTIL	SEAT (EXHAUST VALVE)	3			0.010	
150	19013-03450	ZYLINDERKOPFSCHRAUBE	BOLT,HEAD (CYLINDER)	14			0.077	
160	1G750-03310	ZYLINDERKOPFDICHTUNG	GASKET,CYLINDER HEAD	1			0.220	



BKIDK0492 >> ST ALPHA-35 >> MOTOR / ENGINE >> 000400 GETRIEBE GEHAEUSE / GEAR CASE

Update Date : 2019/01/17 Print Date : 2022/03/14

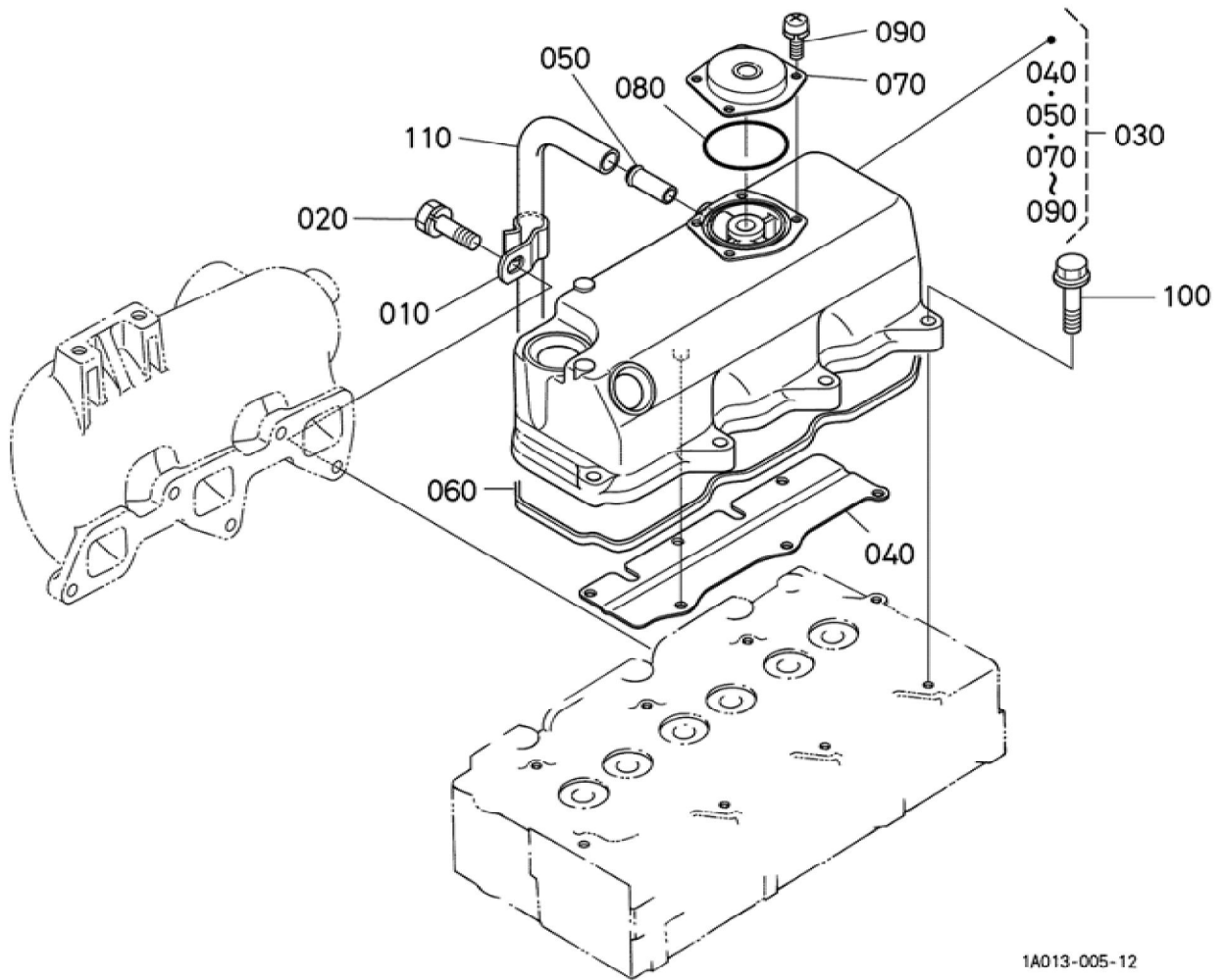
No.	Part Number	Part Name (POL)	Part Name (ENG)	QTY	IC	Serial No./PIN	Kg	Remarks
010	1A033-04020	GRP.GETRIEBEGEHAEUSE	ASSY CASE,GEAR	1			3.800	
020	16241-96020	STOPFEN	PLUG	3			0.015	
030	1A021-96020	STOPFEN	PLUG	1			0.020	
040	04811-00150	O RING	O RING	1			0.001	
050	04811-00220	O RING	O RING	2			0.001	
060	04811-00360	O RING	RING	1			0.002	
070	05012-00612	ZYLINDERSTIFT	PIN, STRAIGHT	2			0.003	
080	1A021-32610	HALTER, OELFILTER	BASE,OIL FILTER	1			0.250	
090	04811-00150	O RING	O RING	2			0.001	
090	04817-00150	O RING	O RING	2	>>		0.001	
100	01123-50835	BOLZEN	BOLT,SEMS	1			0.020	
110	17331-32880	DECKEL	COVER	1			0.075	
120	17331-32910	KOMP.BOLZEN	BOLT,COMP	1			0.070	
130	04811-00150	O RING	O RING	1			0.001	
130	04817-00150	O RING	O RING	1	>>		0.001	
140	19202-96830	O RING	O RING	1			0.010	
150	1A021-04130	DICHTUNG	GASKET,GEAR CASE	1			0.019	
160	01123-50835	BOLZEN	BOLT,SEMS	1			0.020	
170	01123-50870	BOLZEN	BOLT,SEMS	7			0.029	
180	17367-91010	BOLZEN	BOLT	2			0.005	
190	17367-91020	BOLZEN	BOLT	3			0.035	
200	1A021-91010	BOLZEN	BOLT	2			0.045	
210	15521-32291	VERBINDUNG SSTUECK	JOINT,PIPE	1		<=17435	0.000	
210	1A021-32290	VERBINDUNG SSTUECK	PIPE(JOINT)	1	>>	>=17436	0.050	
220	15241-36950	FEDER	SPRING	1			0.004	
230	15521-36930	SITZ,VENTIL	SEAT,VALVE	1			0.015	
240	07715-03213	KUGEL	BALL	1			0.004	
250	15521-73320	FLANSCH	FLANGE,WATER RETURN	1			0.040	
260	1A021-73330	DICHTUNGSP LATTE	GASKET,RETURN FLANGE	1			0.001	

BKIDK0492 >> ST ALPHA-35 >> MOTOR / ENGINE >> 000400 GETRIEBE GEHAEUSE / GEAR CASE

Update Date : 2019/01/17 Print Date : 2022/03/14

No.	Part Number	Part Name (POL)	Part Name (ENG)	QTY	IC	Serial No./PIN	Kg	Remarks
270	01023-50620	BOLZEN	BOLT,SEMS	3			0.006	
280	17321-32431	OELFILTERP ATRONE	CARTRIDGE, OIL FILTER	1			0.000	BESTELLEN SIE BITTE POS.280 NEUE TEILE
280	16414-32430	OELFILTERP ATRONE	FILTER,OIL	1	=		0.450	ORDER BY REF.No.280 NEW PART.
280	HH164-32430	OELFILTERP ATRONE	FILTER (CARTRIDGE, OIL)	1	>>		0.500	
290	38240-34660	GEHAEUSE, STUNDENZA EHLERANTRI EB	ASSY HOUR METER GEAR	1			0.335	
300	15296-88130	DICHTUNG	GASKET,H/M ETER UNIT	1			0.002	
300	1G751-88130	DICHTUNG	GASKET (H/METER)	1	=		0.001	
310	15221-88210	STEBOLZEN	BOLT,STUD	4			0.005	
320	02056-50060	MUTTER	HEX.NUT	4			0.002	
330	04512-50060	FEDERRING	WASHER,SP RING LOCK	4			0.001	

Update Date : 2019/01/17 Print Date : 2022/03/14





Download the full PDF manual instantly.

Our customer service e-mail:

aservicemanualpdf@yahoo.com