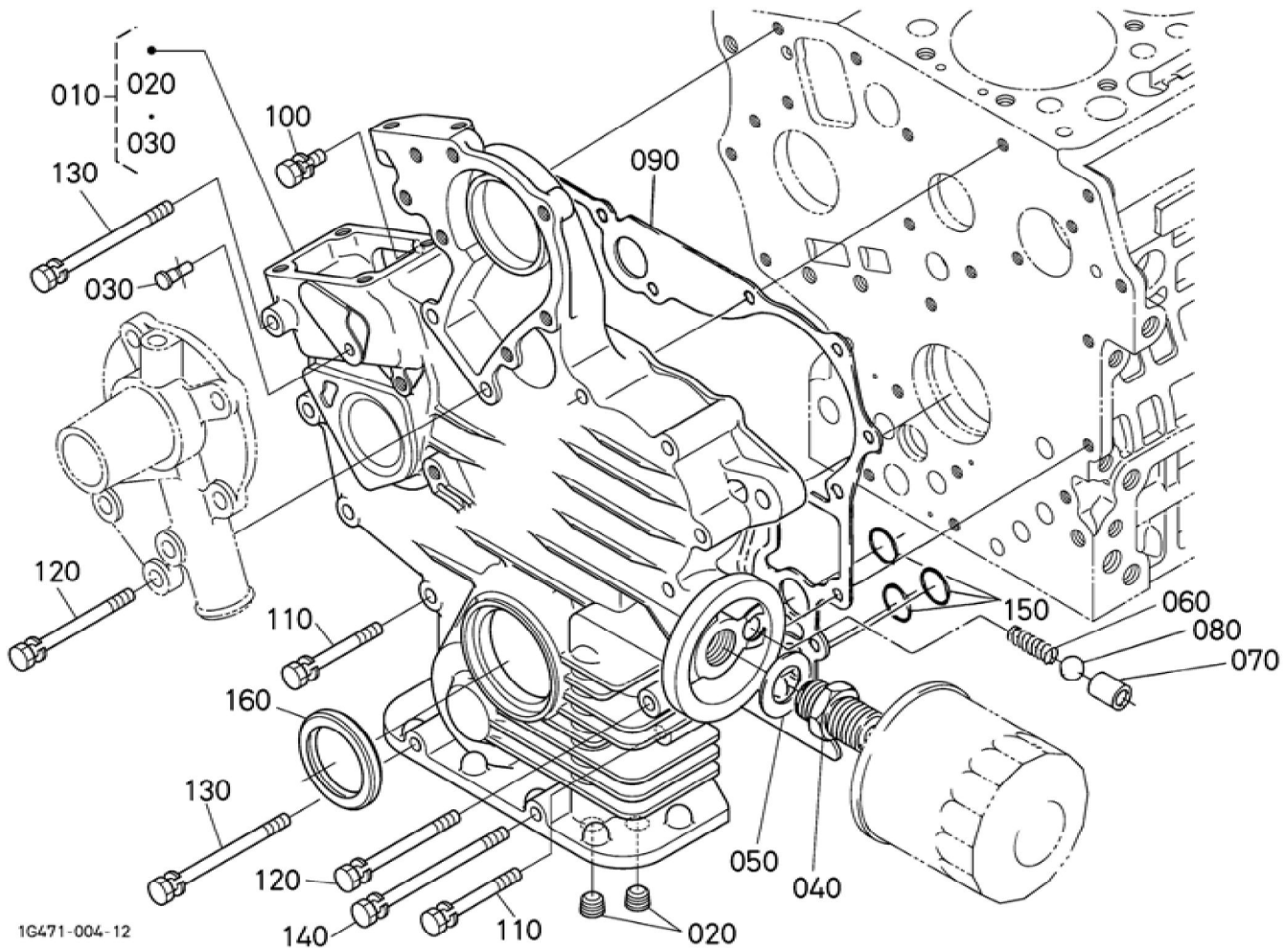


Update Date : 2020/04/27 Print Date : 2022/03/25

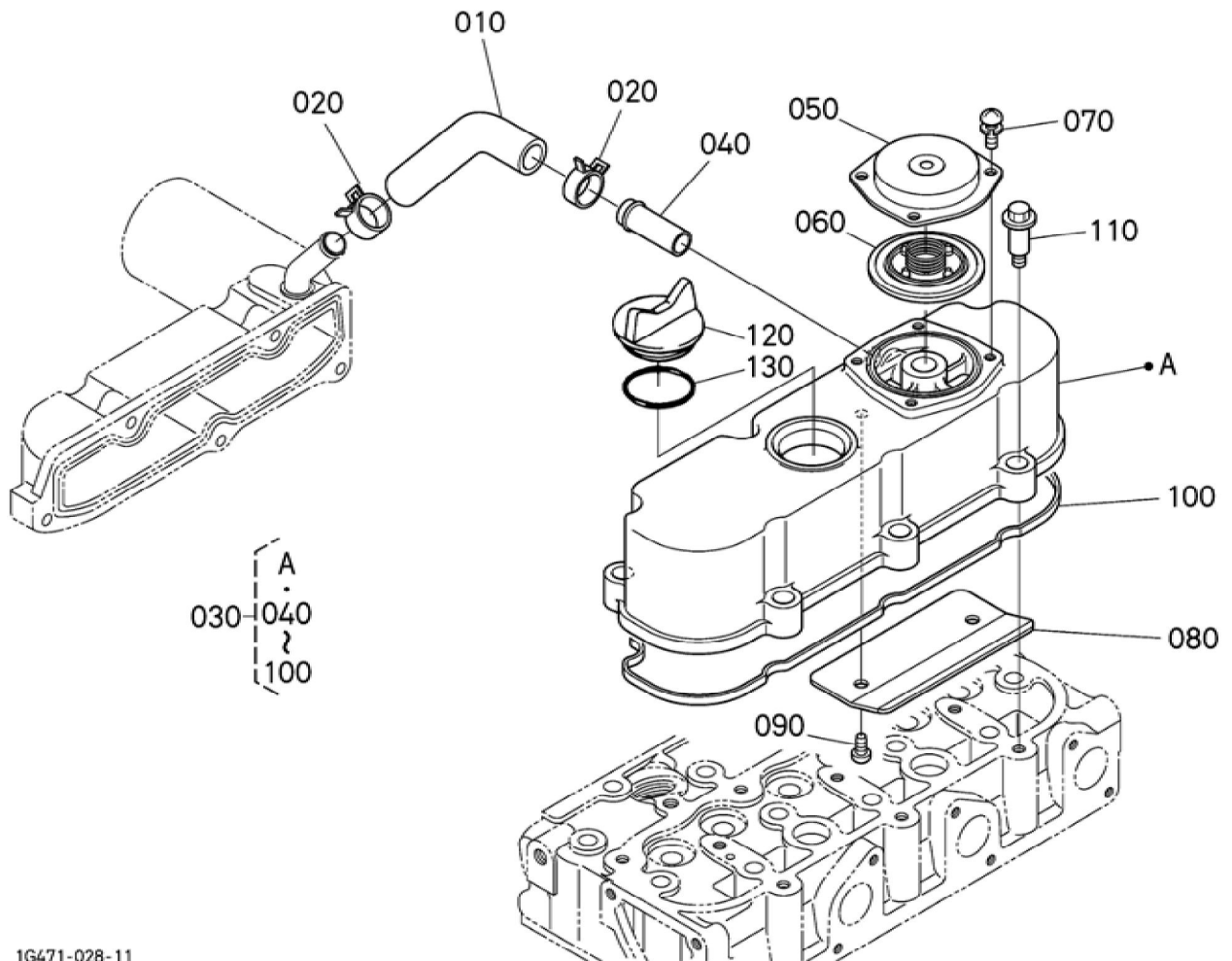


1G471-004-12

Update Date : 2020/04/27 Print Date : 2022/03/25

No.	Part Number	Part Name (POL)	Part Name (ENG)	QTY	IC	Serial No./PIN	Kg	Remarks
010	1G460-04023	GETRIEBE GEHAEUSE,K OMP.	COMP.CASE GEAR	1			2.120	
020	15521-96030	STOPFEN	PLUG	2			0.007	
030	15841-56280	STARTFEDER STIFT	PIN START SPRING	1			0.005	
040	15241-32290	VERBINDUNG SSTUECK	JOINT PIPE	1			0.053	
050	15841-94010	SCHEIBE	WASHER PLAIN	1			0.003	
060	16851-36950	FEDER	SPRING	1			0.020	
070	15841-36930	SITZ,VENTIL	SEAT VALVE	1			0.003	
080	07715-03211	KUGEL	BALL	1			0.003	
090	1E125-04130	DICHTUNG	GASKET GEAR CASE	1			0.009	
100	01023-50618	BOLZEN	BOLT	1			0.006	
110	01023-60650	BOLZEN	BOLT	8			0.015	
120	15841-91010	BOLZEN	BOLT	3			0.014	
130	01023-50680	BOLZEN	BOLT	2			0.017	
140	01023-50690	BOLZEN	BOLT	1			0.019	
150	04814-06130	O RING	O RING	3			0.001	
160	1G471-04140	OELDICHTUN GSRING	SEAL OIL	1			0.010	

Update Date : 2020/04/27 Print Date : 2022/03/25



Update Date : 2020/04/27 Print Date : 2022/03/25

No.	Part Number	Part Name (POL)	Part Name (ENG)	QTY	IC	Serial No./PIN	Kg	Remarks
010	1G960-05512	ENTLUEFTUNG GSROHR	TUBE BREATHER	1			0.008	
020	09318-88125	SCHLAUCHS CHELLE	CLAMP HOSE	2			0.001	
030	1G960-14503	VENTILDECK EL	ASSY COVER CYL.HEAD	1			0.640	
040	16241-73370	ROHR	PIPE WATER RETURN	1			0.007	
050	1G801-05120	ENTLUEFTER DECKEL	COVER BREATHER	1			0.035	
060	1G911-05203	ENTLUEFTER	COMP.VALVE BREATHER	1			0.010	
070	03024-50510	SCHRAUBE	SCREW WITH WASHER	4			0.002	
080	1G460-05370	OELSCHILD,E NTLUEFTER	SHIELD BREATHER	1			0.020	
090	16861-93310	SCHRAUBE	SCREW	2			0.001	
100	1G962-14520	VENTILDECK ELDICHTUNG	GASKET HEAD COVER	1			0.007	
110	1G911-91022	BOLZEN	BOLT	6			0.015	
120	E9151-33140	OELEINFUEL LSTOPFEN	PLUG OIL FILLER	1			0.017	
130	04814-50300	O RING	O RING	1			0.001	



Download the full PDF manual instantly.

Our customer service e-mail:

aservicemanualpdf@yahoo.com