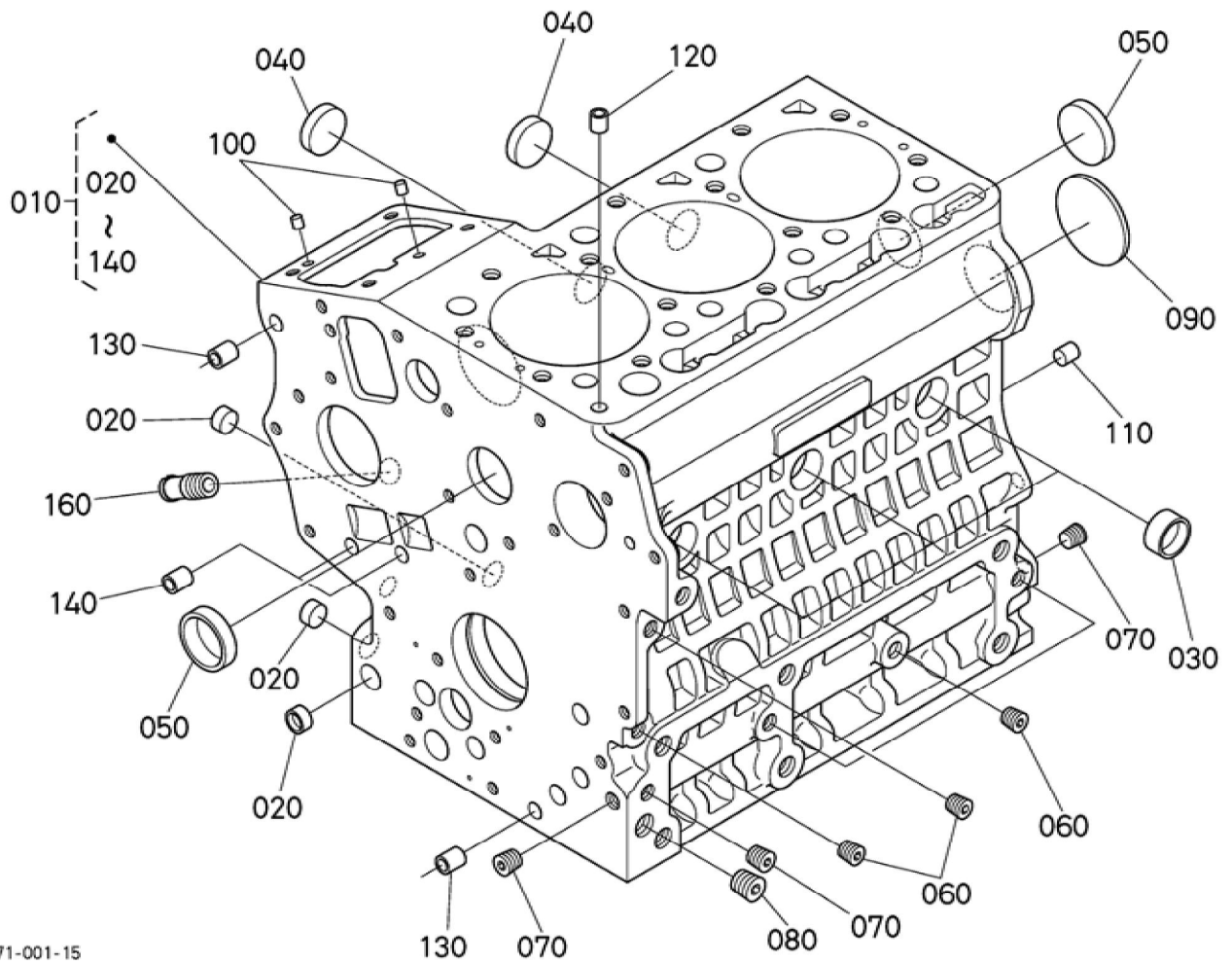


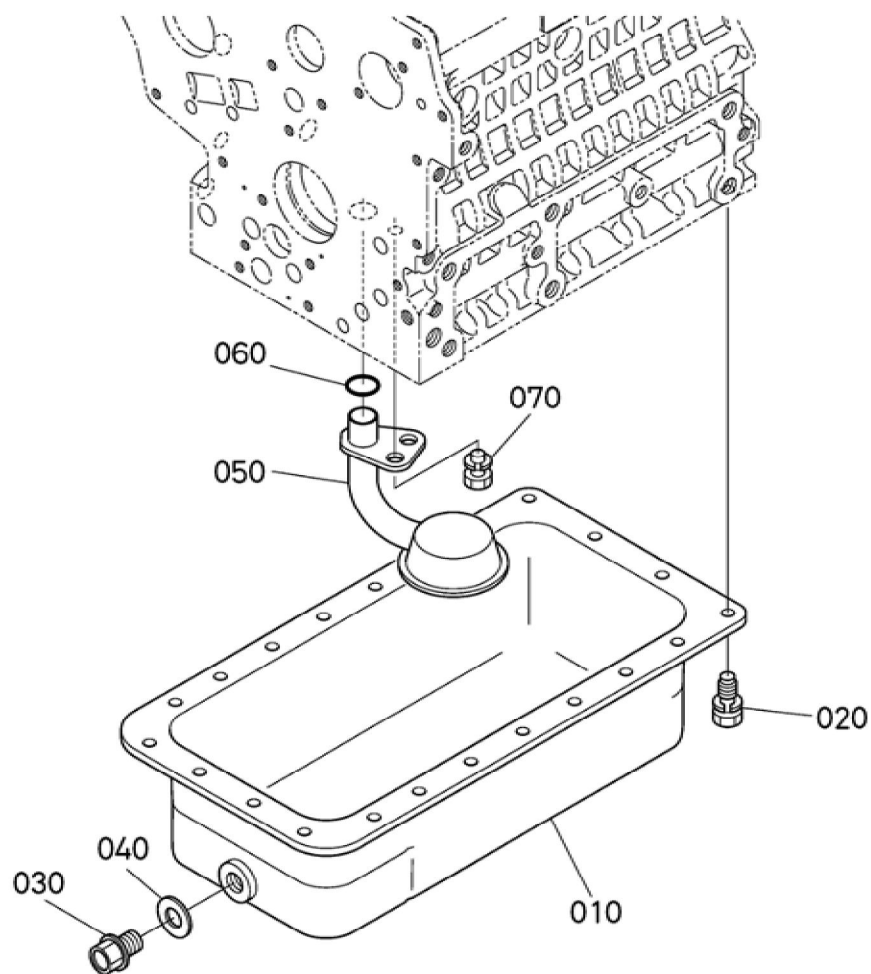
Update Date : 2020/04/27 Print Date : 2022/03/24



Update Date : 2020/04/27 Print Date : 2022/03/24

No.	Part Number	Part Name (POL)	Part Name (ENG)	QTY	IC	Serial No./PIN	Kg	Remarks
010	1G471-01016	KOMP.KURBELGEHAEUSE	COMP.CRANKCASE	1		<=6P7711	23.000	
010	1G471-01018	KOMP.KURBELGEHAEUSE	COMP.CRANKCASE	1	>>	=>6Q0001	23.000	
010	1G471-01019	KOMP.KURBELGEHAEUSE	ASSY CRANKCASE	1	NI	=>9C0001	23.000	
020	16851-96260	KAPPE	CAP,SEALING	3			0.005	
030	16851-96270	KAPPE	CAP,SEALING	3			0.005	
040	06311-85025	STOEPSEL,ABDICHTUNG	CAP,SEALING	2			0.010	
050	15451-96270	KAPPE	CAP,SEALING	2			0.010	
060	15261-96010	STOPFEN	PLUG	5			0.002	
070	15521-96020	STOPFEN	PLUG	3			0.003	
080	15521-96030	STOPFEN	PLUG	1			0.007	
090	15261-96160	STOPFEN	PLUG,EXPANSION	1			0.020	
100	05012-00508	ZYLINDERSTIFT	PIN,STRAIGHT	2			0.001	
110	05012-00814	ZYLINDERSTIFT	PIN,STRAIGHT	2			0.006	
120	15221-33650	ROHRSTIFT	PIN,PIPE	1			0.004	
130	15231-33960	ROHRSTIFT	PIN,PIPE	2			0.001	
140	17331-59190	ROHRSTIFT	PIN,PIPE	2		<=9A9492	0.002	
140	15231-33960	ROHRSTIFT	PIN,PIPE	2	>>	=>9C0001	0.001	
160	15321-73340	WASSERROHR	PIPE,WATER RETURN	1			0.016	

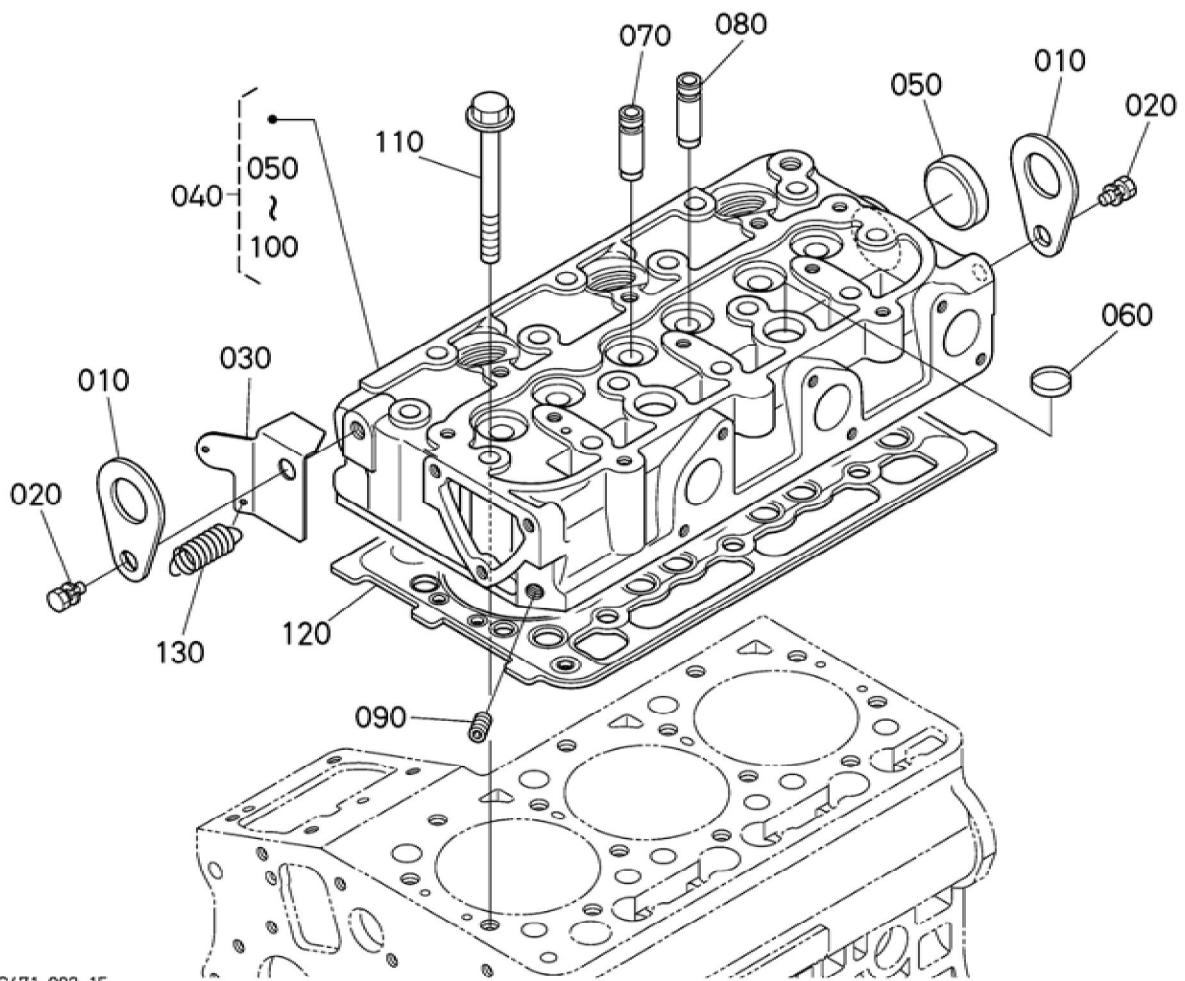
Update Date : 2020/04/27 Print Date : 2022/03/24



Update Date : 2020/04/27 Print Date : 2022/03/24

No.	Part Number	Part Name (POL)	Part Name (ENG)	QTY	IC	Serial No./PIN	Kg	Remarks
010	1G471-01500	KOMP.OELW ANNE	COMP.OIL PAN	1			1.080	
020	01023-50614	BOLZEN	BOLT	22			0.005	
030	16326-33750	ENTLEERUN GSSTOPFEN	PLUG,DRAIN	1			0.025	
030	13901-33750	ENTLEERUN GSSTOPFEN	PLUG,DRAIN	1	=		0.025	
040	6C090-58960	DICHTUNGSP LATTE	GASKET	1			0.005	
050	15857-32113	OELFILTER	FILTER,OIL	1			0.120	
060	04814-00160	O RING	O RING	1			0.001	
070	01123-60814	BOLZEN	BOLT	1			0.010	

Update Date : 2020/04/27 Print Date : 2022/03/24





Download the full PDF manual instantly.

Our customer service e-mail:

aservicemanualpdf@yahoo.com