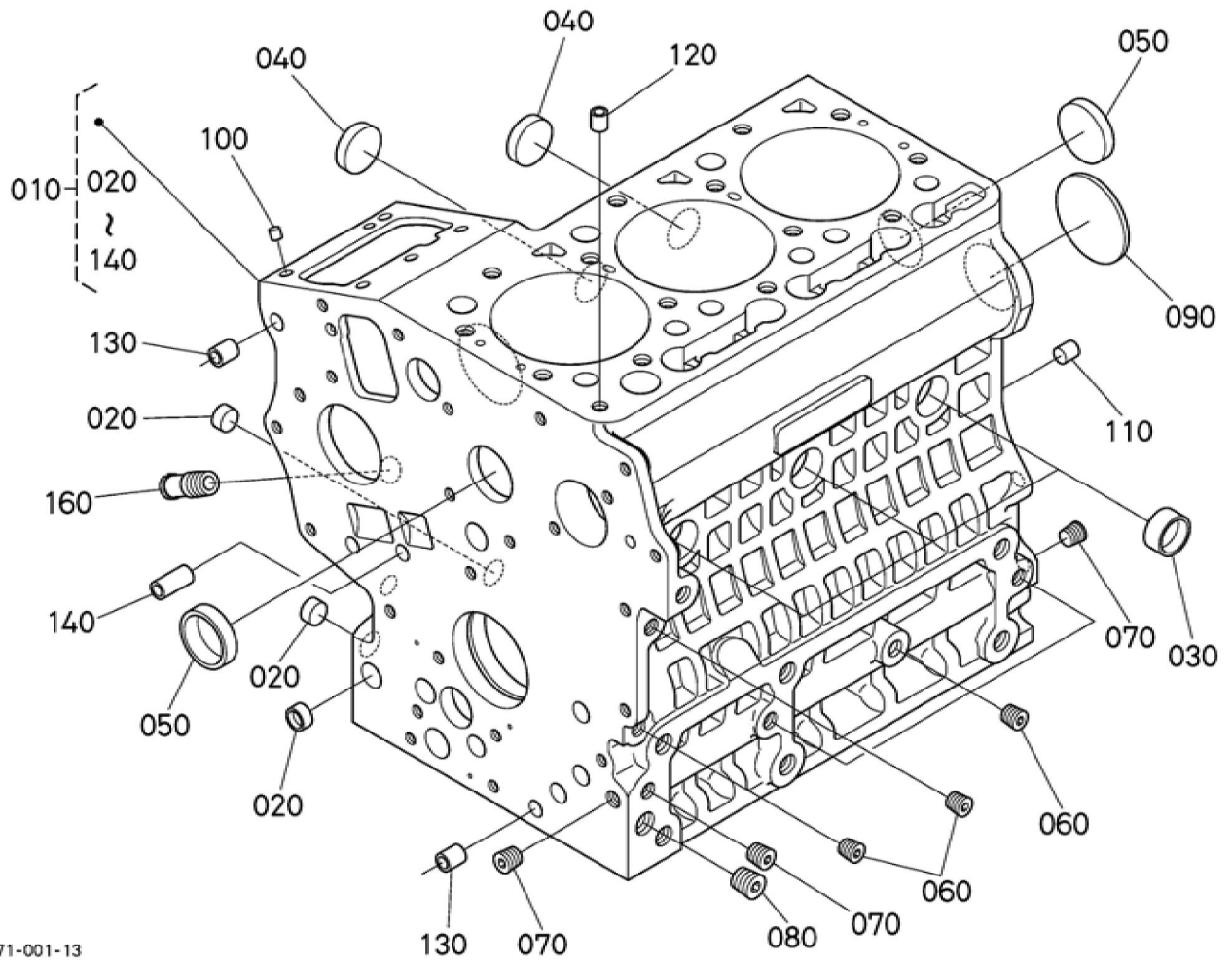


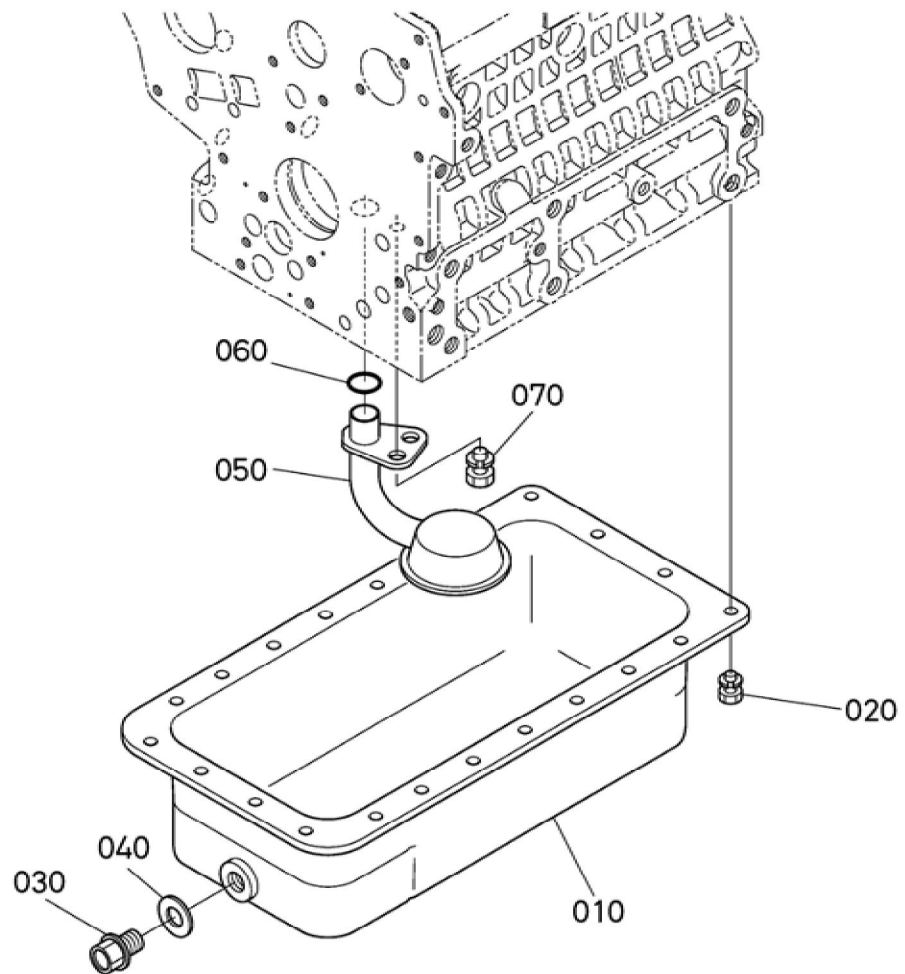
Update Date : 2020/04/27 Print Date : 2022/03/23



Update Date : 2020/04/27 Print Date : 2022/03/23

No.	Part Number	Part Name (POL)	Part Name (ENG)	QTY	IC	Serial No./PIN	Kg	Remarks
010	1G471-01015	KOMP.KURBELGEHAEUSE	COMP.CRANKCASE	1		<=5K3572	23.000	
010	1G471-01016	KOMP.KURBELGEHAEUSE	COMP.CRANKCASE	1	>>	=>5L0599	23.000	
020	16851-96260	KAPPE	CAP SEALING	3			0.005	
030	16851-96270	KAPPE	CAP SEALING	3			0.005	
040	06311-85025	STOEPSEL,ABDICHTUNG	CAP SEALING	2			0.010	
050	15451-96270	KAPPE	CAP SEALING	2			0.010	
060	15261-96010	STOPFEN	PLUG	5			0.002	
070	15521-96020	STOPFEN	PLUG	3			0.003	
080	15521-96030	STOPFEN	PLUG	1			0.007	
090	15261-96160	STOPFEN	PLUG EXPANSION	1			0.020	
100	05012-00508	ZYLINDERSTIFT	PIN STRAIGHT	2			0.001	
110	05012-00814	ZYLINDERSTIFT	PIN STRAIGHT	2			0.006	
120	15221-33650	ROHRSTIFT	PIN PIPE	1			0.004	
130	15231-33960	ROHRSTIFT	PIN PIPE	2			0.001	
140	17331-59190	ROHRSTIFT	PIN PIPE	2			0.002	
160	15321-73340	WASSERROHR	PIPE WATER RETURN	1			0.016	

Update Date : 2020/04/27 Print Date : 2022/03/23

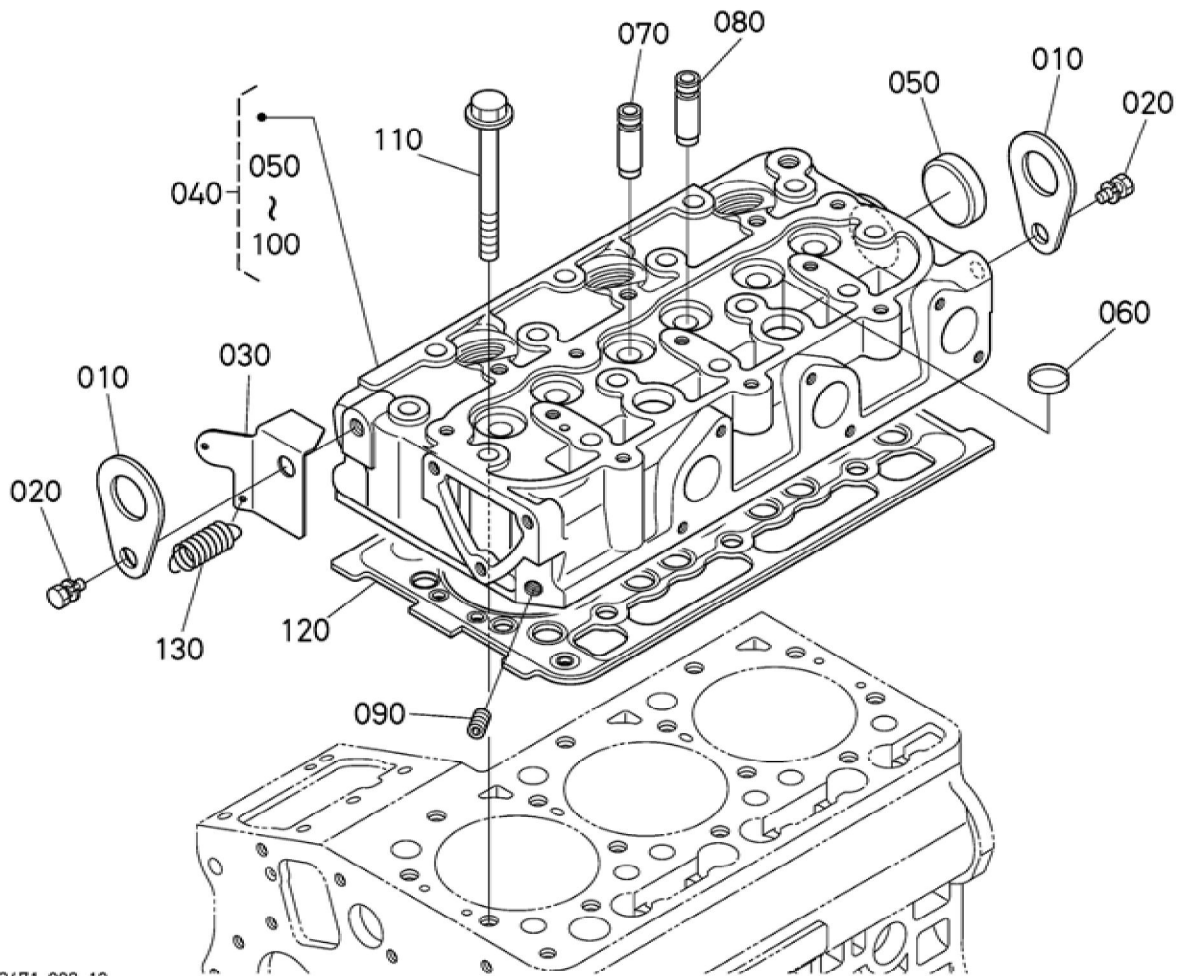


1G471-002-11

Update Date : 2020/04/27 Print Date : 2022/03/23

No.	Part Number	Part Name (POL)	Part Name (ENG)	QTY	IC	Serial No./PIN	Kg	Remarks
010	1G471-01500	KOMP.OELW ANNE	COMP.OIL PAN	1			1.080	
020	01023-50614	BOLZEN	BOLT	22			0.005	
030	16326-33750	ENTLEERUN GSSTOPFEN	PLUG DRAIN	1			0.025	
040	6C090-58960	DICHTUNGSP LATTE	GASKET	1			0.005	
050	15857-32113	OELFILTER	FILTER OIL	1			0.120	
060	04814-00160	O RING	O RING	1			0.001	
070	01123-60814	BOLZEN	BOLT	1			0.010	

Update Date : 2020/04/27 Print Date : 2022/03/23

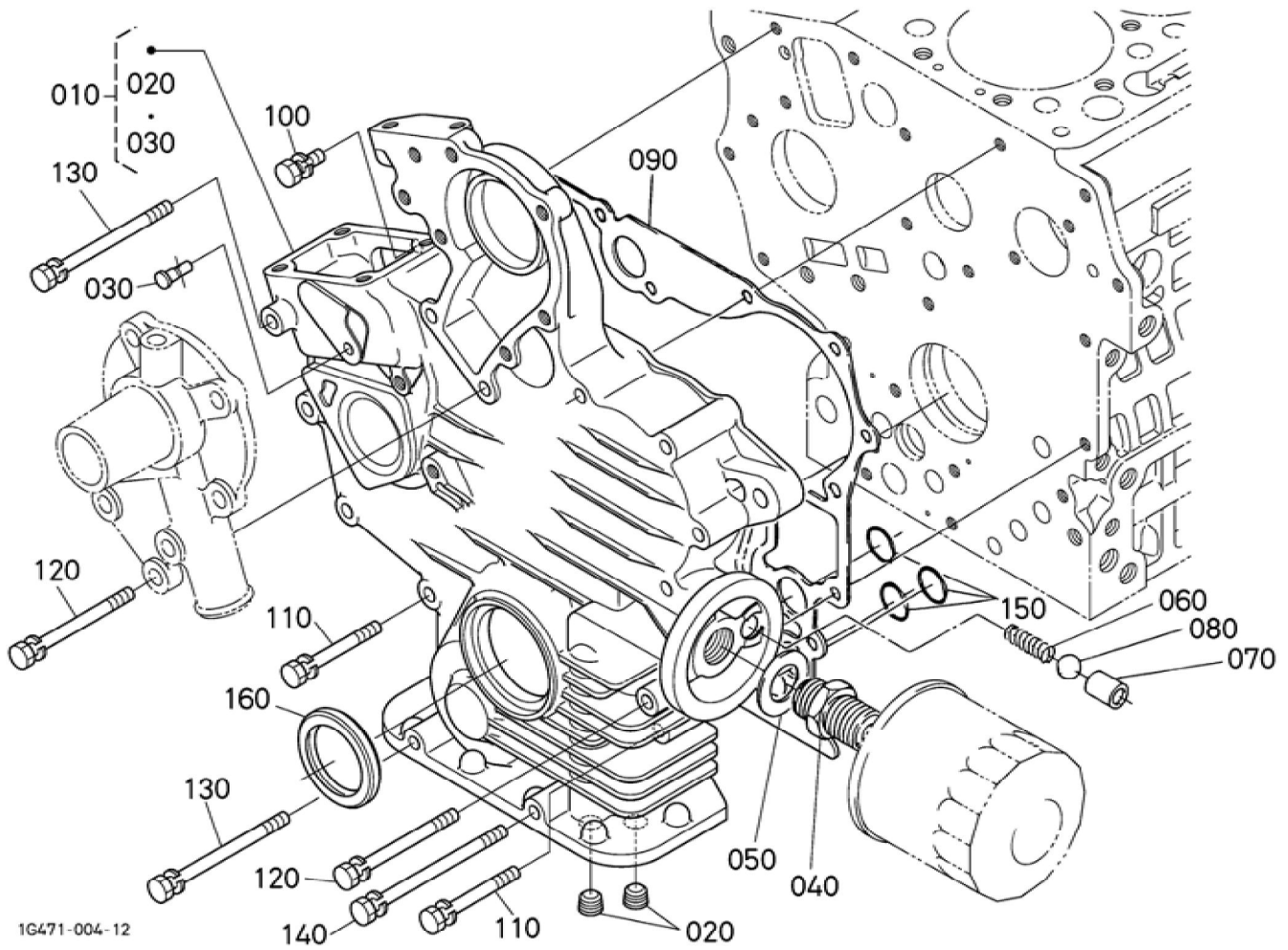


1G471-003-12

Update Date : 2020/04/27 Print Date : 2022/03/23

No.	Part Number	Part Name (POL)	Part Name (ENG)	QTY	IC	Serial No./PIN	Kg	Remarks
010	15221-01750	MOTORHAKEN	HOOK ENGINE	2			0.040	
020	01123-60816	BOLZEN	BOLT	2			0.010	
030	16667-57692	STREBE	STAY	1			0.100	
040	1G962-03042	KOMP.ZYLINDERKOPF	COMP.CYLINDER HEAD	1		<=5V3977	7.000	
040	H1G90-03040	KOMP.ZYLINDERKOPF	COMP.CYLINDER HEAD	1	>>	<=5V3977	7.000	
040	1G962-03045	KOMP.ZYLINDERKOPF	COMP.CYLINDER HEAD	1	NI	=>5W0001	7.000	
050	15321-96260	KAPPE	CAP SEALING	1			0.014	
060	15261-03370	STOEPSEL,ABDICHTUNG	CAP SEALING	2			0.005	
070	15841-13540	EINLASSVENTILFUEHRUNG	GUIDE INLET VALVE	3			0.014	
080	15841-13560	AUSLASSVENTILFUEHRUNG	GUIDE EXHAUST VALVE	3			0.014	
090	15261-96010	STOPFEN	PLUG	1			0.002	
100	15841-96020	STOPFEN	PLUG	1			0.020	NICHT MEHR IN GEBRAUCH
110	14601-03450	ZYLINDERKOPFSCHRAUBE	BOLT CYLINDER HEAD	14			0.035	
120	1G962-03310	ZYLINDERKOPFDICHTUNG	GASKET CYLINDER HEAD	1		<=5V3977	0.060	
120	1G962-03312	ZYLINDERKOPFDICHTUNG	GASKET CYLINDER HEAD	1	NI	=>5W0001	0.060	
130	19837-57920	RUECKZUGFEDER	SPRING RETURN	1			0.007	

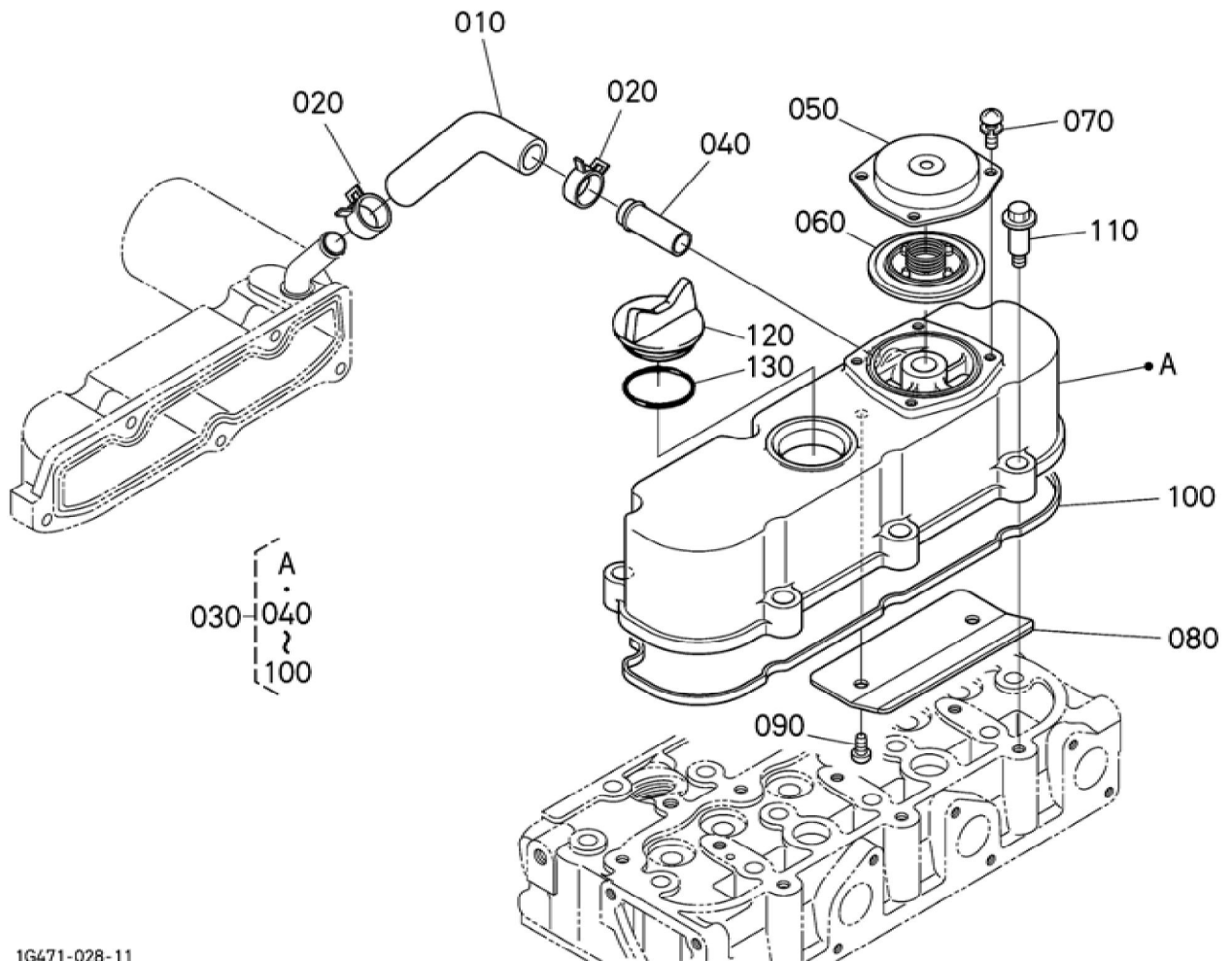
Update Date : 2020/04/27 Print Date : 2022/03/23



Update Date : 2020/04/27 Print Date : 2022/03/23

No.	Part Number	Part Name (POL)	Part Name (ENG)	QTY	IC	Serial No./PIN	Kg	Remarks
010	1G460-04023	GETRIEBE GEHAEUSE,K OMP.	COMP.CASE GEAR	1			2.120	
020	15521-96030	STOPFEN	PLUG	2			0.007	
030	15841-56280	STARTFEDER STIFT	PIN START SPRING	1			0.005	
040	15241-32290	VERBINDUNG SSTUECK	JOINT PIPE	1			0.053	
050	15841-94010	SCHEIBE	WASHER PLAIN	1			0.003	
060	16851-36950	FEDER	SPRING	1			0.020	
070	15841-36930	SITZ,VENTIL	SEAT VALVE	1			0.003	
080	07715-03211	KUGEL	BALL	1			0.003	
090	1E125-04130	DICHTUNG	GASKET GEAR CASE	1			0.009	
100	01023-50618	BOLZEN	BOLT	1			0.006	
110	01023-60650	BOLZEN	BOLT	8			0.015	
120	15841-91010	BOLZEN	BOLT	3			0.014	
130	01023-50680	BOLZEN	BOLT	2			0.017	
140	01023-50690	BOLZEN	BOLT	1			0.019	
150	04814-06130	O RING	O RING	3			0.001	
160	1G471-04140	OELDICHTUN GSRING	SEAL OIL	1			0.010	

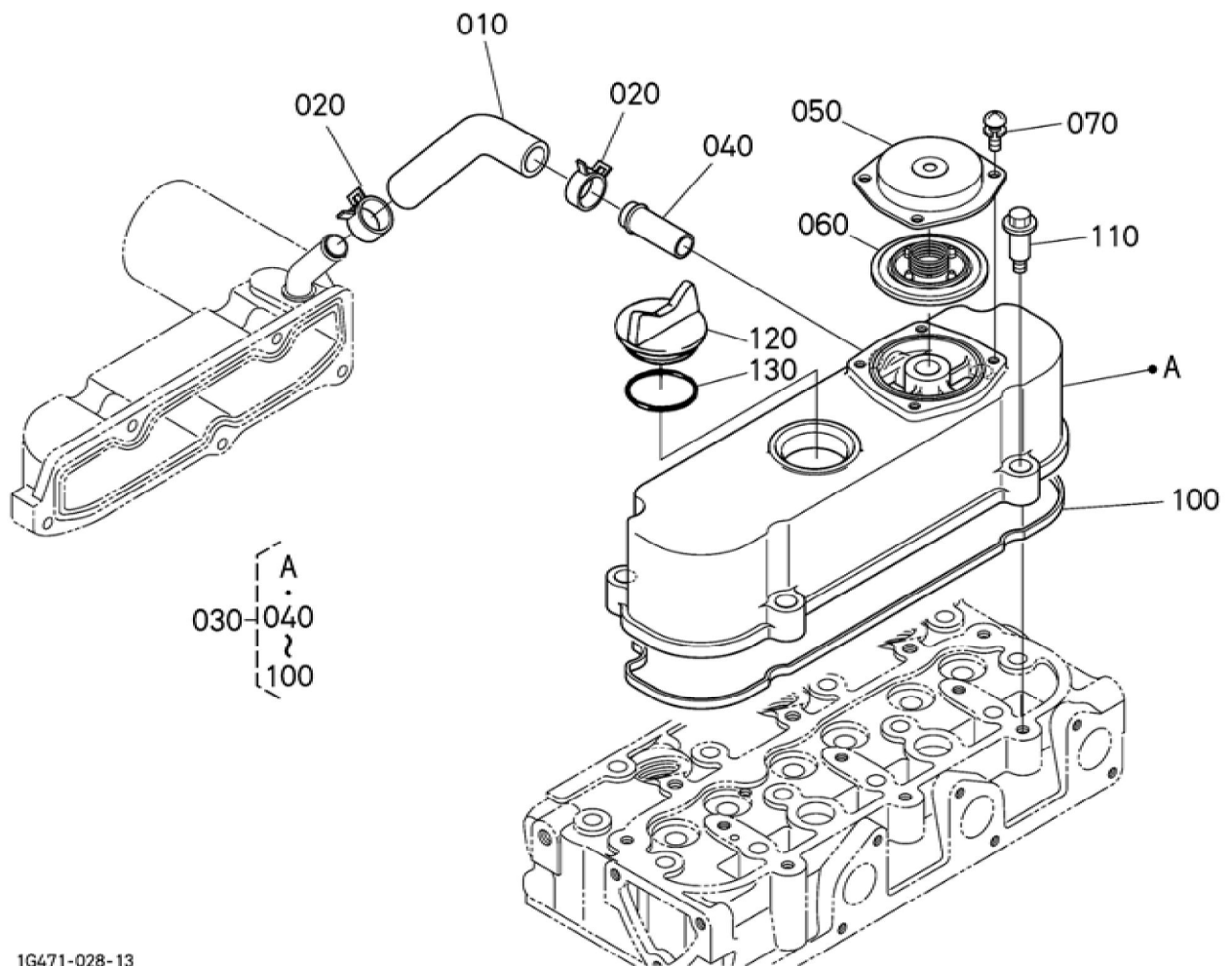
Update Date : 2020/04/27 Print Date : 2022/03/23



Update Date : 2020/04/27 Print Date : 2022/03/23

No.	Part Number	Part Name (POL)	Part Name (ENG)	QTY	IC	Serial No./PIN	Kg	Remarks
010	1G960-05512	ENTLUEFTUNG GSROHR	TUBE BREATHER	1			0.008	
020	09318-88125	SCHLAUCHS CHELLE	CLAMP HOSE	2			0.001	
030	1G960-14503	VENTILDECK EL	ASSY COVER CYL.HEAD	1			0.640	
040	16241-73370	ROHR	PIPE WATER RETURN	1			0.007	
050	1G801-05120	ENTLUEFTER DECKEL	COVER BREATHER	1			0.035	
060	1G911-05203	ENTLUEFTER	COMP.VALVE BREATHER	1			0.010	
070	03024-50510	SCHRAUBE	SCREW WITH WASHER	4			0.002	
080	1G460-05370	OELSCHILD,E NTLUEFTER	SHIELD BREATHER	1			0.020	
090	16861-93310	SCHRAUBE	SCREW	2			0.001	
100	1G962-14520	VENTILDECK ELDICHTUNG	GASKET HEAD COVER	1			0.007	
110	1G911-91022	BOLZEN	BOLT	6			0.015	
120	E9151-33140	OELEINFUEL LSTOPFEN	PLUG OIL FILLER	1			0.017	
130	04814-50300	O RING	O RING	1			0.001	

Update Date : 2020/04/27 Print Date : 2022/03/23





Download the full PDF manual instantly.

Our customer service e-mail:

aservicemanualpdf@yahoo.com