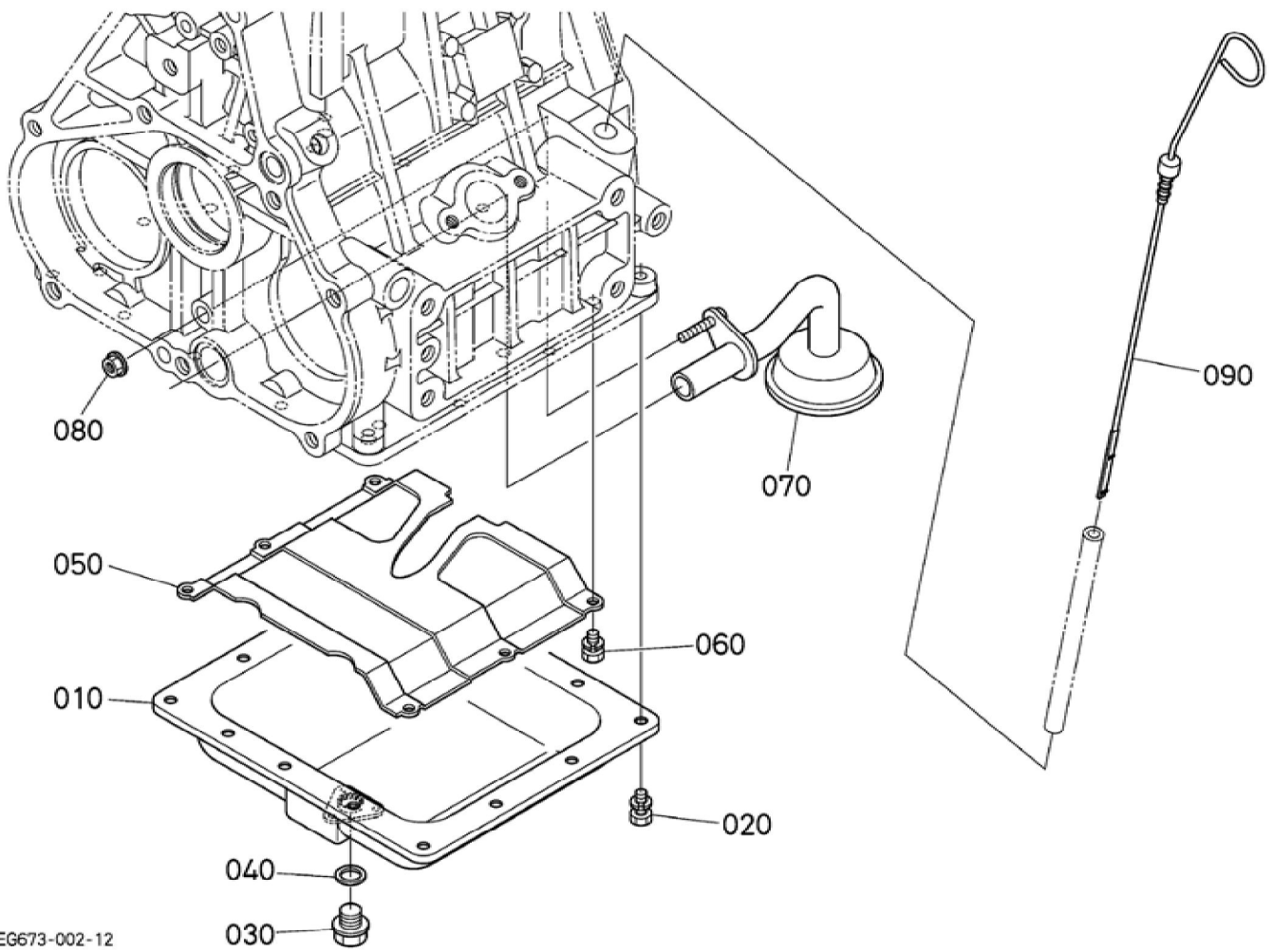


Update Date : 2020/02/29 Print Date : 2022/03/22

No.	Part Number	Part Name (POL)	Part Name (ENG)	QTY	IC	Serial No./PIN	Kg	Remarks
010	EG673-02038	ZYLINDERBLOCK,KOMP.	COMP.CYLINDER BLOCK	1			6.270	
020	EG673-23470	LAGERSCHAULE	METAL,CRANKSHAFT	1			0.032	
030	EG673-36420	FUEHRUNG, OELMESSSTAB	GUIDE,OIL GAUGE	1			0.063	
040	08103-06002	KUGELLAGER	BEARING,BALL	2			0.030	
050	04611-00320	SPRENGRING	SAFETY RING	2			0.002	
060	E9151-96010	STOPFEN	PLUG	2			0.010	
070	EG673-36440	STANDER	STAY,OIL GAUGE GUIDE	1			0.027	
080	01754-50612	SCHRAUBE	BOLT,FLANGE	2			0.005	
090	01518-50855	STEBOLZEN	BOLT,STUD	1			0.020	
100	05012-00616	ZYLINDERSTIFT	PIN	1			0.004	
110	13325-94510	FUEHRUNG, EINLASSVENTIL	PIN,STRAIGHT	2			0.009	
120	12631-94930	ROHRSTIFT	PIN,PIPE	3			0.003	
130	04817-06100	O RING	O RING	1			0.001	
140	04817-00160	O RING	O RING	1			0.001	
150	06331-35012	STOPFEN	PLUG	2			0.024	
160	04724-00120	DICHTUNGSPLATTE	GASKET	2			0.002	



## BKIDK5296 &gt;&gt; RTV500S5R-EU &gt;&gt; MOTOR / ENGINE &gt;&gt; 102000 OEL-FANGER / OIL PAN

Update Date : 2020/02/29 Print Date : 2022/03/22

No.	Part Number	Part Name (POL)	Part Name (ENG)	QTY	IC	Serial No./PIN	Kg	Remarks
010	EG673-01500	KOMP.OELW ANNE	COMP.OIL PAN	1			0.776	
020	01023-50614	BOLZEN	BOLT,SEMS	14			0.005	
030	13901-33750	ENTLEERUN GSSTOPFEN	PLUG,DRAIN	1			0.025	
040	15862-96670	DICHTUNGSP LATTE	GASKET	1			0.001	
050	E9151-01650	PLATTE	PLATE,OIL PAN	1			0.230	
060	01023-50612	BOLZEN	BOLT,SEMS	6			0.005	
070	E9151-32110	OELFILTER	FILTER,OIL	1			0.120	
080	02751-50060	MUTTER	NUT,FLANGE	1			0.005	
090	EG673-36410	OELMESSST AB	GAUGE,OIL	1			0.030	

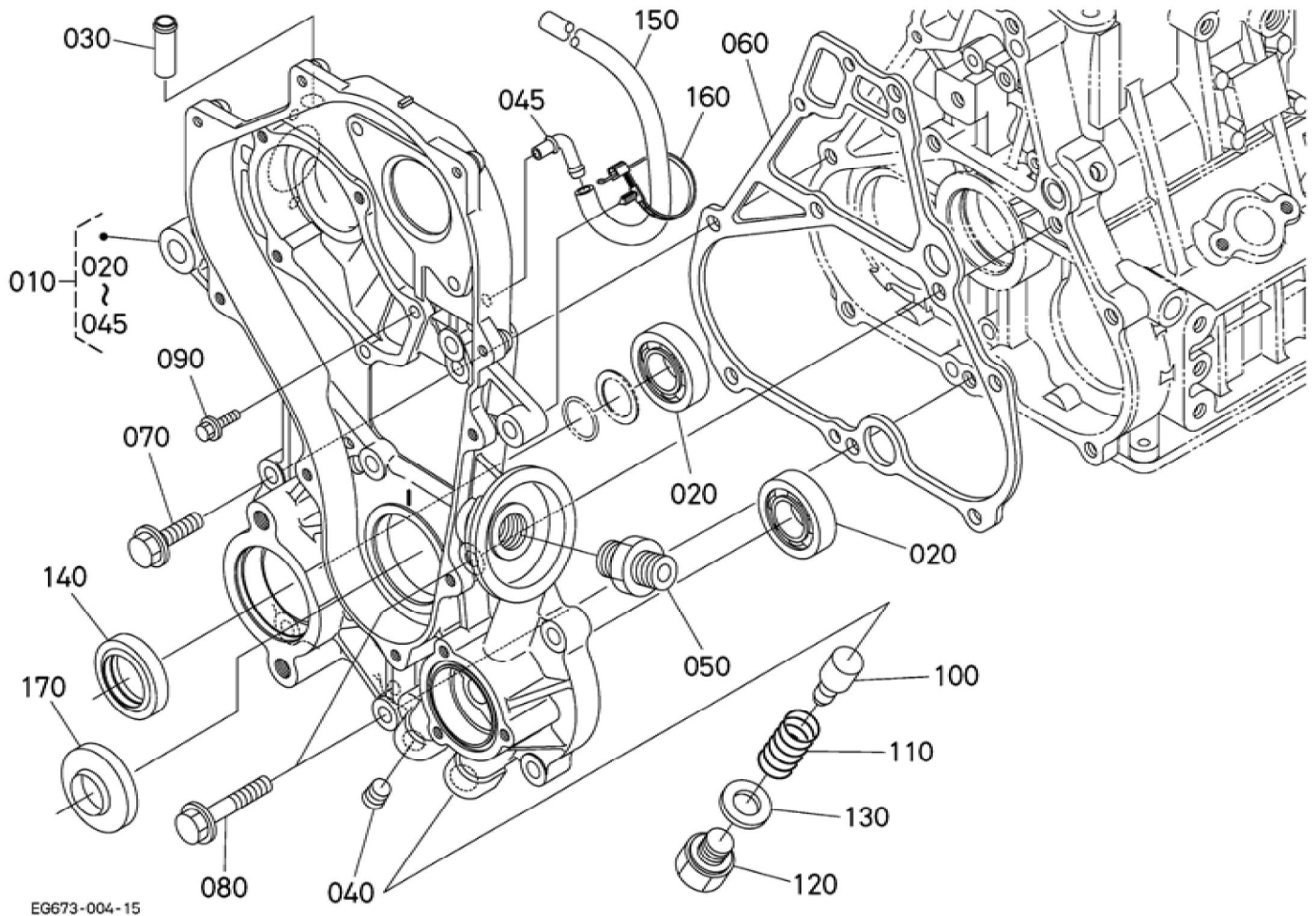


## BKIDK5296 &gt;&gt; RTV500S5R-EU &gt;&gt; MOTOR / ENGINE &gt;&gt; 103000 ZYLINDERKOPF / CYLINDER HEAD

Update Date : 2020/02/29 Print Date : 2022/03/22

No.	Part Number	Part Name (POL)	Part Name (ENG)	QTY	IC	Serial No./PIN	Kg	Remarks
010	EG673-03034	GRP.ZYLINDERKOPF	ASSY CYLINDER HEAD	1			2.665	
020	EG675-13540	FUEHRUNG,VENTIL	GUIDE,VALVE	4			0.009	
030	16851-96270	KAPPE	CAP,SEALING	2			0.005	
040	16241-73370	ROHR	PIPE,WATER RETURN	1			0.007	
050	01518-50822	STEBBOLZEN	BOLT,STUD	2			0.012	
060	E9151-03450	BOLZEN	BOLT,HEAD	6			0.031	
070	E9161-03310	ZYLINDERKOPFDICHTUNG	GASKET,HEAD	1			0.025	
080	EG673-96020	BOLZEN	PLUG	1			0.030	
090	EG673-96800	O RING	O RING	1			0.005	

Update Date : 2020/02/29 Print Date : 2022/03/22



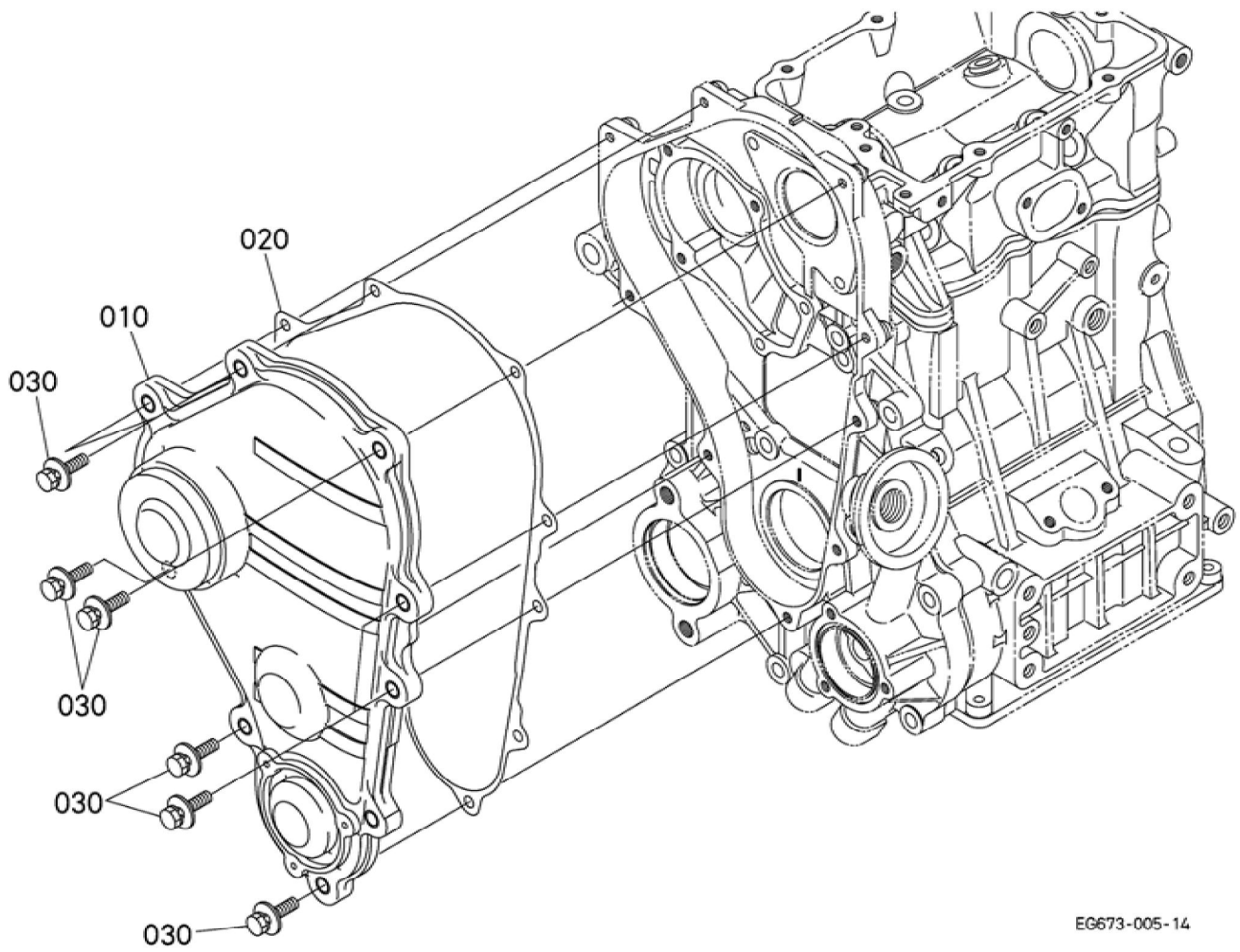
EG673-004-15

Update Date : 2020/02/29 Print Date : 2022/03/22

No.	Part Number	Part Name (POL)	Part Name (ENG)	QTY	IC	Serial No./PIN	Kg	Remarks
010	EG673-01044	ABDECKUNG	COVER,CRANKCASE	1			2.250	
020	08103-06004	KUGELLAGER	BEARING,BALL	2			0.066	
030	16241-73370	ROHR	PIPE,WATER RETURN	1			0.007	
040	15521-96030	STOPFEN	PLUG	1			0.007	
045	12182-45150	SCHALTUNG	JOINT,FUEL PUMP	1			0.010	
050	15241-32290	VERBINDUNGSSTUECK	JOINT,PIPE	1			0.053	
060	EG673-01340	DICHTUNG,KULBELHAEU.	GASKET (CRANKCASE)	1			0.010	
070	01754-50830	SCHRAUBE	BOLT,FLANGE	6			0.016	
080	01754-50845	SCHRAUBE	BOLT,FLANGE	2			0.021	
090	01754-50616	SCHRAUBE	BOLT,FLANGE	3			0.006	
100	E9151-36920	UEBERLAUFVENTIL	VALVE,RELIEF	1			0.010	
110	EG673-36950	FEDER	SPRING,RELIEF VALVE	1			0.003	
120	06331-35014	STOPFEN	PLUG	1			0.030	
130	04724-00140	DICHTUNGSPLATTE	GASKET	1			0.002	
140	EG673-26560	OELDICHTUNGSRING	SEAL,OIL	1			0.014	
150	09661-60750	KRAFTSTOFFROHR	TUBE,FUEL	1			0.054	
160	RP421-54120	KLAMMER	CLAMP(7047-3470-40)	1			0.003	
170	15877-04140	OELDICHTUNGSRING	SEAL,OIL	1			0.011	



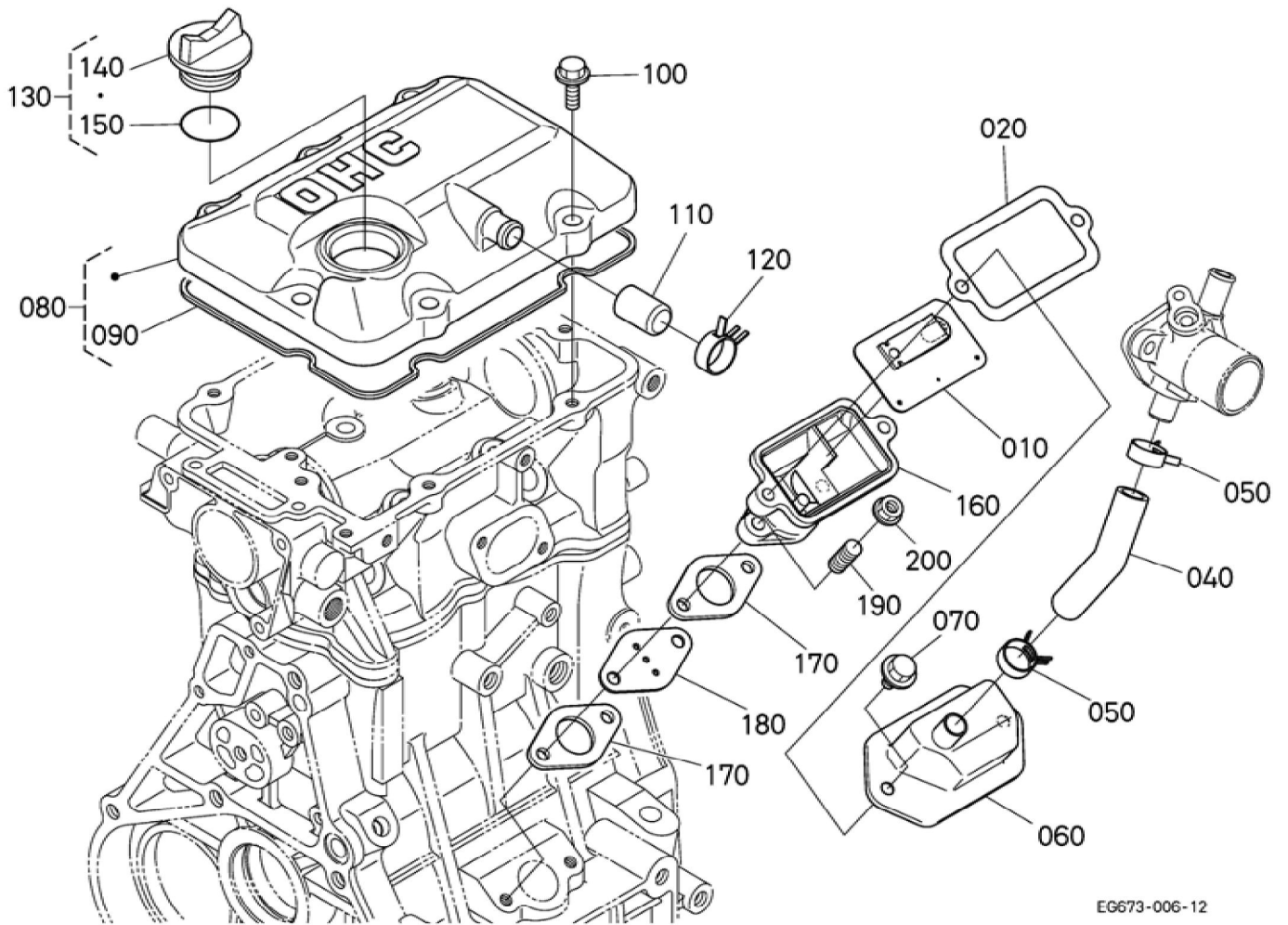
Update Date : 2020/02/29 Print Date : 2022/03/22



Update Date : 2020/02/29 Print Date : 2022/03/22

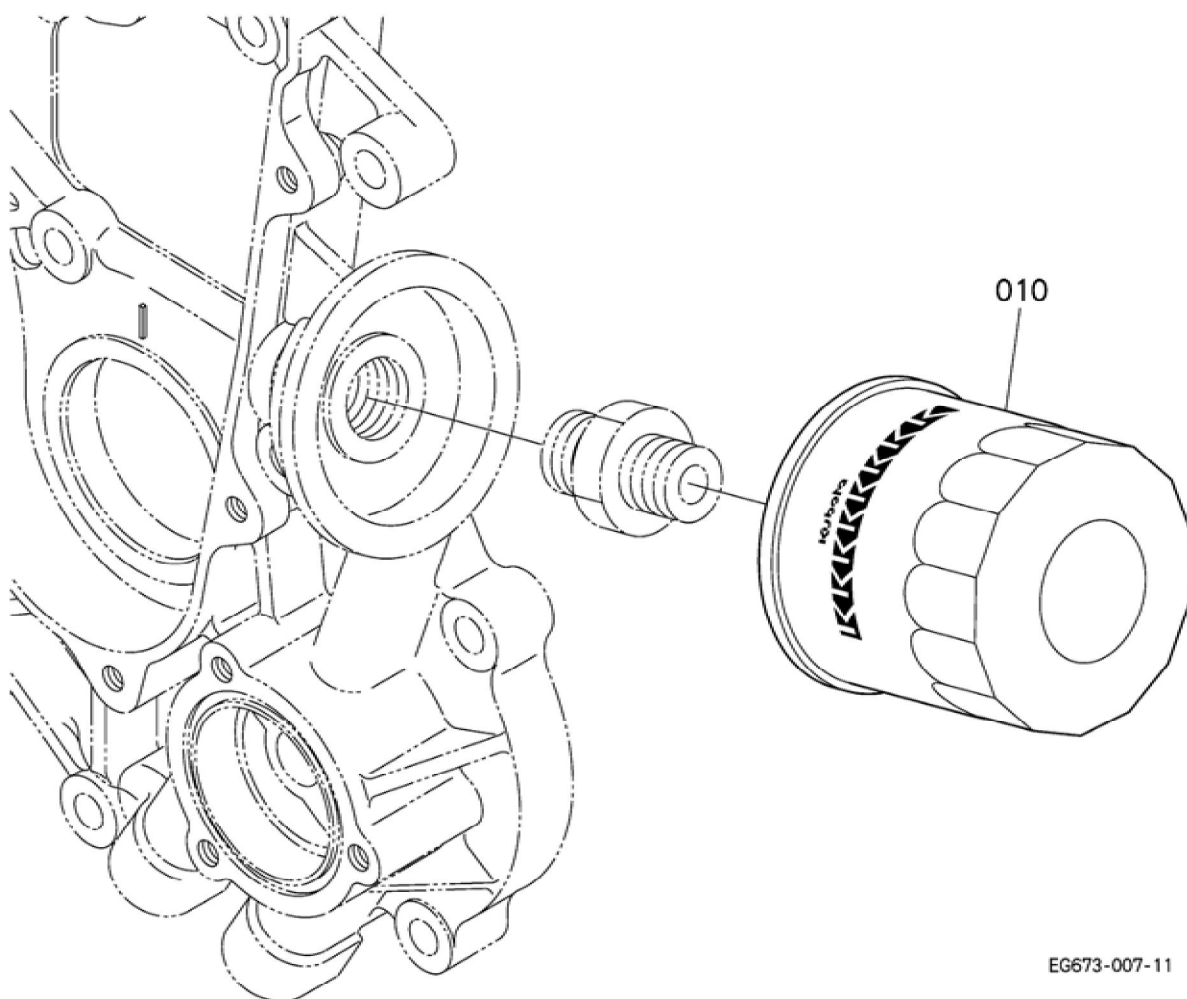
No.	Part Number	Part Name (POL)	Part Name (ENG)	QTY	IC	Serial No./PIN	Kg	Remarks
010	EG673-01302	DECKEL,KOMP.	COMP.COVER,BELT	1			0.245	
020	E9153-04130	DICHTUNGSPLATTE	GASKET,BELT COVER	1			0.006	
030	EG673-91050	BOLZEN	BOLT	9			0.010	

Update Date : 2020/02/29 Print Date : 2022/03/22



Update Date : 2020/02/29 Print Date : 2022/03/22

No.	Part Number	Part Name (POL)	Part Name (ENG)	QTY	IC	Serial No./PIN	Kg	Remarks
010	EG673-05020	ENTLUEFTER KOMP.	COMP.BREATH ER	1			0.026	
020	EG371-05430	DICHTUNGSP LATTE	GASKET,BRE ATHER	1			0.002	
040	EG673-05522	ENTLUEFTUN GSROHR	TUBE,BREAT HER	1			0.013	
050	09318-88155	SCHLAUCHBI NDER	CLAMP, HOSE	2			0.005	
060	EG673-05400	DECKEL	COMP.COVE R,BREATH ER	1			0.066	
070	01754-50612	SCHRAUBE	BOLT,FLANG E	2			0.005	
080	EG673-14500	VENTILDECK EL	ASSY COVER,CYL. HEAD	1			0.335	
090	E9151-14520	O RING	O RING,HEAD COVER	1			0.010	
100	01754-50625	SCHRAUBE	BOLT,FLANG E	7			0.008	
110	EG673-05890	KAPPE	CAP,BREATH ER	1			0.004	
120	16259-05580	SCHLAUCHBI NDER	BAND,PIPE	1			0.030	
130	1C010-33080	BLINDSTOPF EN	ASSY PLUG,O/FILL ER	1			0.018	
140	E9151-33140	OELEINFUEL LSTOPFEN	PLUG(OIL FILLER)	1			0.017	
150	04817-50300	O RING	O RING	1			0.001	
160	EG673-05620	FLANSCH	FLANGE,BRE ATHER	1			0.094	
170	E9151-52140	DICHTUNGSP LATTE	GASKET,FUE L PUMP	2			0.001	
180	EG673-05470	DISTANZSCH EIBE	SPACER	1			0.014	
190	01518-50620	STEBOLZEN	BOLT,STUD	2			0.006	
200	02751-50060	MUTTER	NUT,FLANGE	2			0.005	

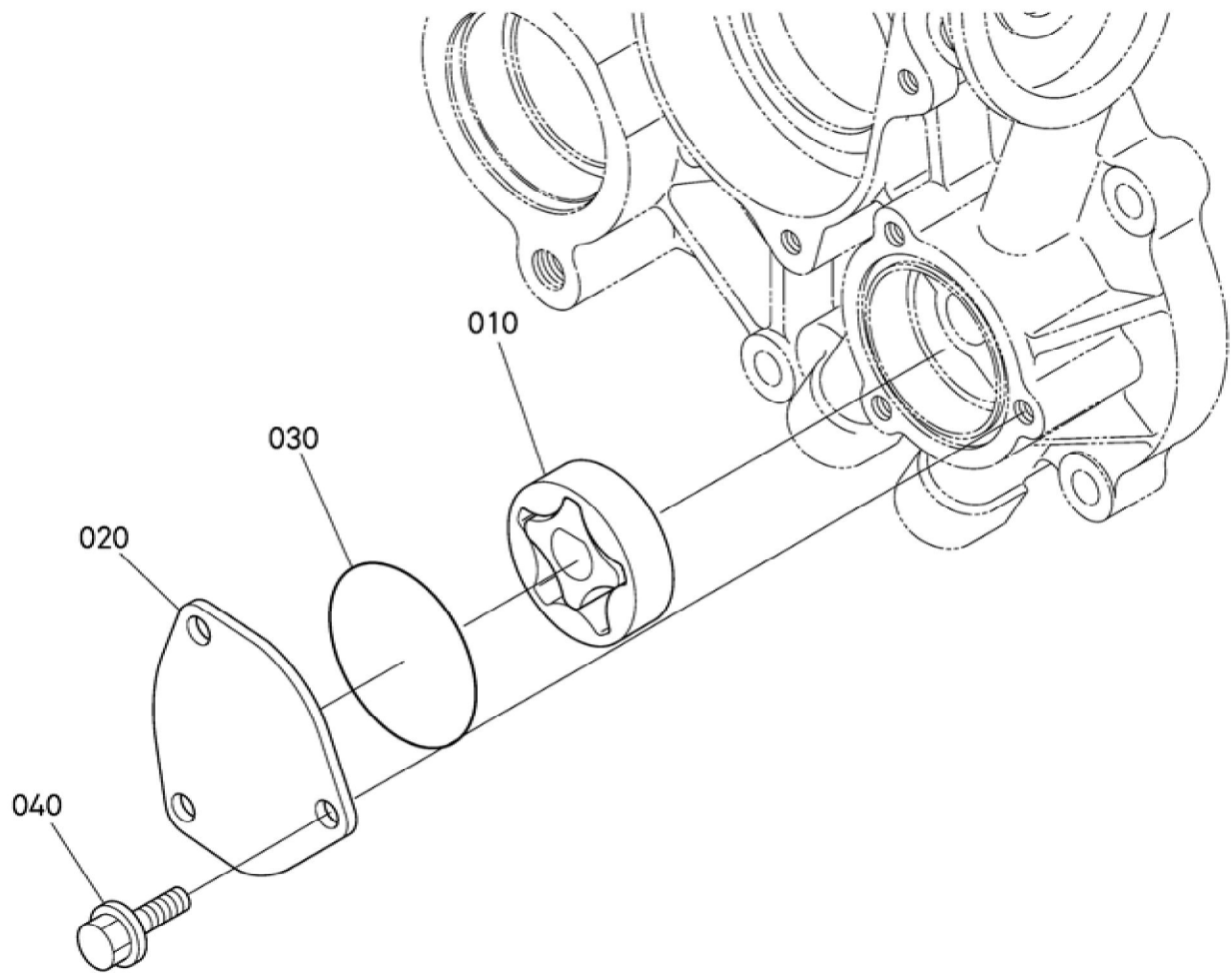


BKIDK5296 >> RTV500S5R-EU >> MOTOR / ENGINE >> 106000 OELFILTER / OIL FILTER

Update Date : 2020/02/29 Print Date : 2022/03/22

No.	Part Number	Part Name (POL)	Part Name (ENG)	QTY	IC	Serial No./PIN	Kg	Remarks
010	HH150-32430	OELFILTERP ATRONE	FILTER (CARTRIDGE, OIL)	1			0.200	

Update Date : 2020/02/29 Print Date : 2022/03/22





**Download the full PDF manual instantly.**

**Our customer service e-mail:**

**[aservicemanualpdf@yahoo.com](mailto:aservicemanualpdf@yahoo.com)**