

BKIDK5047 >> RTV400CIR-A/H >> MOTOR / ENGINE >> 101000 KURBELGHAEUSE / CRANKCASE

Update Date : 2019/10/03 Print Date : 2022/03/18

No.	Part Number	Part Name (POL)	Part Name (ENG)	QTY	IC	Serial No./PIN	Kg	Remarks
010	E7179-10010	KURBELGEHAEUSE	CRANK CASE CP	1			7.200	
020	E7179-10020	OELDICHTUNGSRING	OIL SEAL	1			0.013	
030	E7179-10030	KUGELLAGER	BALL BEARING	1			0.288	
040	E4181-02140	LAGER	BEARING,BALL	1			0.044	
050	E7179-10050	ROHR	PIPE KNOCK	2			0.003	
060	E4181-33750	STOPFEN	PLUG	1			0.022	
070	E4181-33850	DICHTUNGSPLATTE	GASKET	1			0.001	
080	E7179-10060	HAKEN	LIFT HOOK	1			0.141	
090	E7179-10070	BOLZEN/SCHNEIBE	BOLT AND WASHER AY	2			0.021	
100	E7179-10080	KUGELLAGER	MAINBEARING COVER CP	1			2.347	
110	E7179-10030	KUGELLAGER	BALL BEARING	1			0.288	
120	E4181-02140	LAGER	BEARING,BALL	1			0.044	
130	E7179-10110	BLIND-STOPFEN	BLIND PLUG	1			0.003	
140	E7179-10120	STOPFEN	PLUG (PT1/4)	1			0.006	
150	E4181-33750	STOPFEN	PLUG	1			0.022	
160	E4181-33850	DICHTUNGSPLATTE	GASKET	1			0.001	
170	E7179-10130	ROTOR	INNER ROTOR (SCAV)	1			0.019	
180	E7179-10140	ROTOR	OUTER ROTOR	1			0.036	
190	E7179-10150	ABDECKUNG	PUMP COVER	1			0.097	
200	E7179-10160	WELLE	OIL PUMP SHAFT	1			0.037	
210	E7179-10170	ZAHNRAD	PUMP GEAR	1			0.140	
220	E7179-10180	DISTANZSCHNEIBE	SPACER	1			0.004	

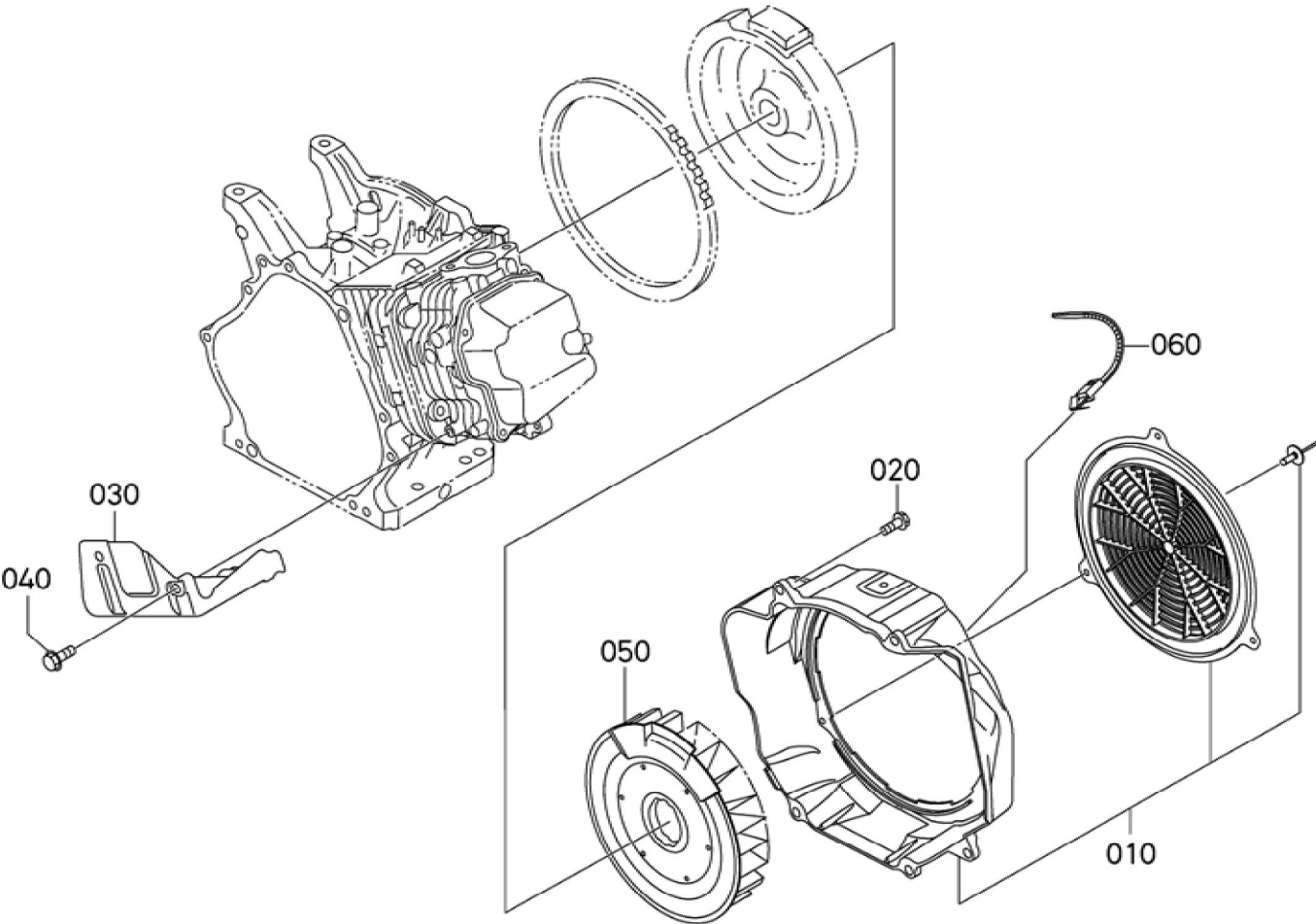
Update Date : 2019/10/03 Print Date : 2022/03/18

No.	Part Number	Part Name (POL)	Part Name (ENG)	QTY	IC	Serial No./PIN	Kg	Remarks
230	E7179-10190	SCHELLE	CLIP,SNAPRING	1			0.001	
240	E7179-10200	STIFT	DOWEL PIN	3			0.001	
250	E7179-10210	SCHRAUBE	FLANGE BOLT	4			0.007	
260	E7179-10220	ROHR	SUCTION PIPE CP	1			0.028	
270	E7179-10230	SCHRAUBE	FLANGE BOLT	1			0.007	
280	E7179-10240	OELFILTER	UNION-OIL FILTER	1			0.051	
290	E7179-10250	OELDRUCKSCHALTER	SWITCH OIL PRESSURE	1			0.032	
300	E7179-10260	SCHRAUBE	FLANGE BOLT	6			0.023	
310	E7179-10270	SCHRAUBE	FLANGE BOLT	1			0.030	
320	E7179-10280	SCHRAUBE	FLANGE BOLT	1			0.040	
330	E7179-10290	ZYLINDERKOPF	CYLINDER HEAD AY	1			1.810	
340	E7179-10300	STEBBOLZEN	STUD	2			0.017	
350	E7179-10310	STEBBOLZEN	STUD	2			0.011	
360	E7179-10320	DICHTUNGEN	SEAL-EXH VALVE	1			0.001	
370	E7179-10330	SCHELLE	CLIP	1			0.001	
380	E7179-10340	HALTEPLATTE	RETAINER PLATE	1			0.002	
390	E7179-10350	ZYLINDERKOPFDICHTUNG	GASKET (HEAD)	1			0.042	
400	E7179-10360	STIFT	DOWEL PIN	2			0.002	
410	E4181-03080	SCHRAUBE	BOLT,FLANGE	4			0.053	
420	E7179-10370	SCHRAUBE	FLANGE BOLT	2			0.018	
430	E7179-10382	DECKEL	ROCKER COVER CP	1			0.360	

Update Date : 2019/10/03 Print Date : 2022/03/18

No.	Part Number	Part Name (POL)	Part Name (ENG)	QTY	IC	Serial No./PIN	Kg	Remarks
440	E7179-10390	DICHTUNGSP LATTE	GASKET (ROCKER COVER)	1			0.002	
450	E4181-14520	SCHRAUBE	BOLT,FLANG E	4			0.005	
460	E7179-60050	OELMESSST AB	OIL GAUGE CP	1			0.021	
470	E7179-60060	KAPPE	OIL FILLER CAP CP	1			0.011	
480	E7179-60070	O RING	O RING	1			0.001	
490	HH150-32430	OELFILTERP ATRONE	FILTER (CARTRIDGE, OIL)	1			0.200	
500	E7179-70170	DRAHT	WIRE CP(OIL PRE.SW)	1			0.007	
510	E7179-70180	BAND	WIRE BAND	1			0.001	
520	E7179-10400	DICHTUNG	GASKET(SET)	1			0.090	

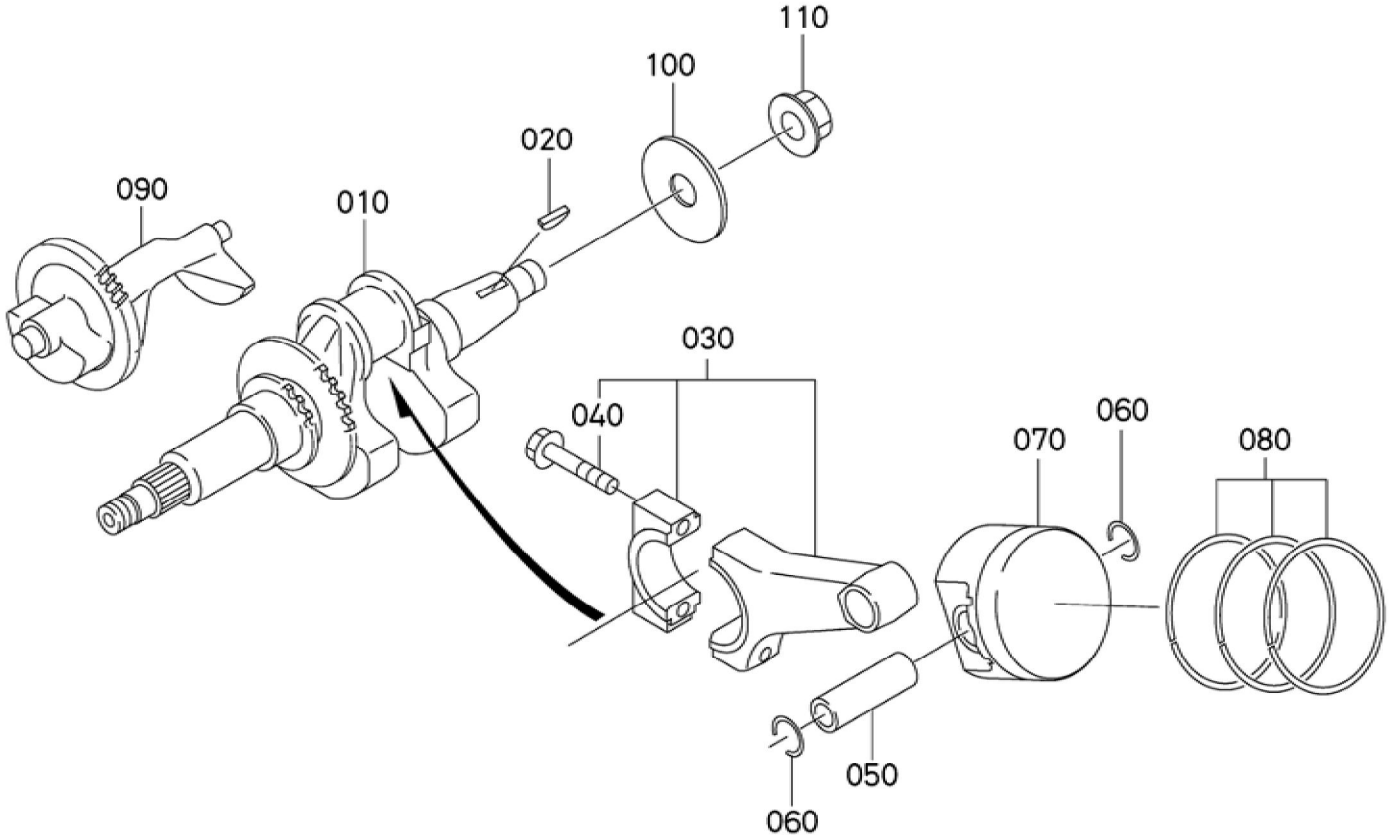
Update Date : 2019/10/03 Print Date : 2022/03/18



Update Date : 2019/10/03 Print Date : 2022/03/18

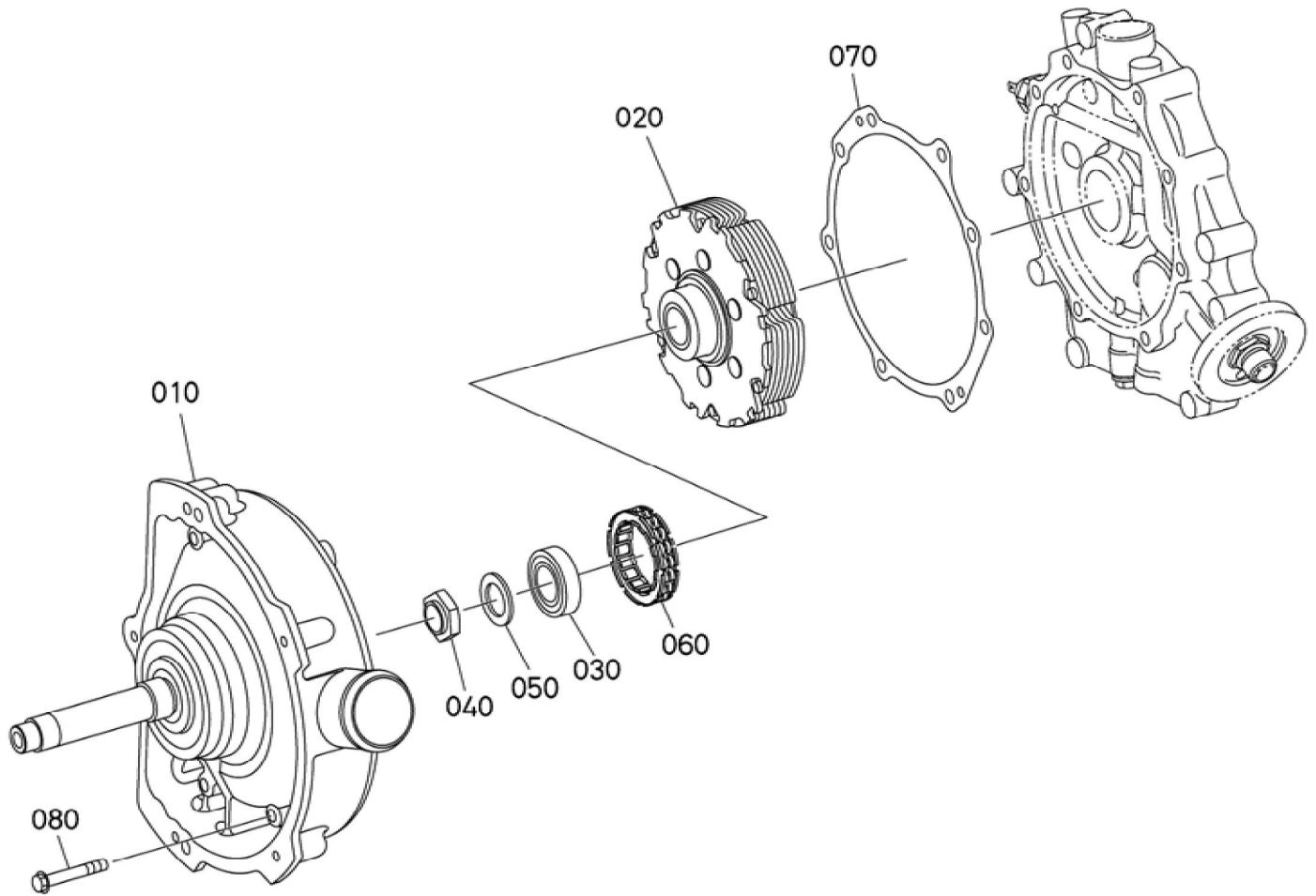
No.	Part Number	Part Name (POL)	Part Name (ENG)	QTY	IC	Serial No./PIN	Kg	Remarks
010	E7179-50050	DECKEL	FAN COVER CP	1			0.770	
020	E7179-50010	SCHRAUBE	FLANGE BOLT	5			0.006	
030	E7179-50040	LEITBLECH	BAFFLE 2 (HEAD) CP	1			0.087	
040	E4181-14520	SCHRAUBE	BOLT,FLANGE	3			0.005	
050	E7179-70040	GEBLAESE	COOLING BLOWER	1			0.243	
060	E7179-70120	KLAMMER	CLAMP	1			0.002	

Update Date : 2019/10/03 Print Date : 2022/03/18



Update Date : 2019/10/03 Print Date : 2022/03/18

No.	Part Number	Part Name (POL)	Part Name (ENG)	QTY	IC	Serial No./PIN	Kg	Remarks
010	E7179-20000	KURBELWELLE	CRANKSHAFT CP	1			4.165	
020	E7179-20010	SCHEIBEN-KEIL	WOODRUFF KEY	1			0.004	
030	E7179-20020	PLEUELSTANGE	CONNECTING ROD AY	1			0.286	
040	E4181-22140	SCHRAUBE	BOLT,FLANGE	2			0.016	
050	E7179-20030	KOLBENBOLZEN	PISTON PIN	1			0.083	
060	E7179-20040	SCHELLE	CLIP	2			0.001	
070	E7179-20052	KOLBEN	PISTON	1			0.246	STD
070	E7179-20062	KOLBEN	PISTON	1			0.252	+0.25mm
070	E7179-20072	KOLBEN	PISTON	1			0.252	+0.50mm
080	E7179-20080	KOLBENRINGE	PISTON RING SET	1			0.022	STD
080	E7179-20090	KOLBENRINGE	PISTON RING SET	1			0.020	+0.25mm
080	E7179-20100	KOLBENRINGE	PISTON RING SET	1			0.021	+0.50mm
090	E7179-20110	SCHWINGWELLE	BALANCER SHAFT	1			1.016	
100	E7179-70050	SCHEIBE	WASHER	1			0.053	
110	E4181-67350	MUTTER	NUT,FLANGE	1			0.036	

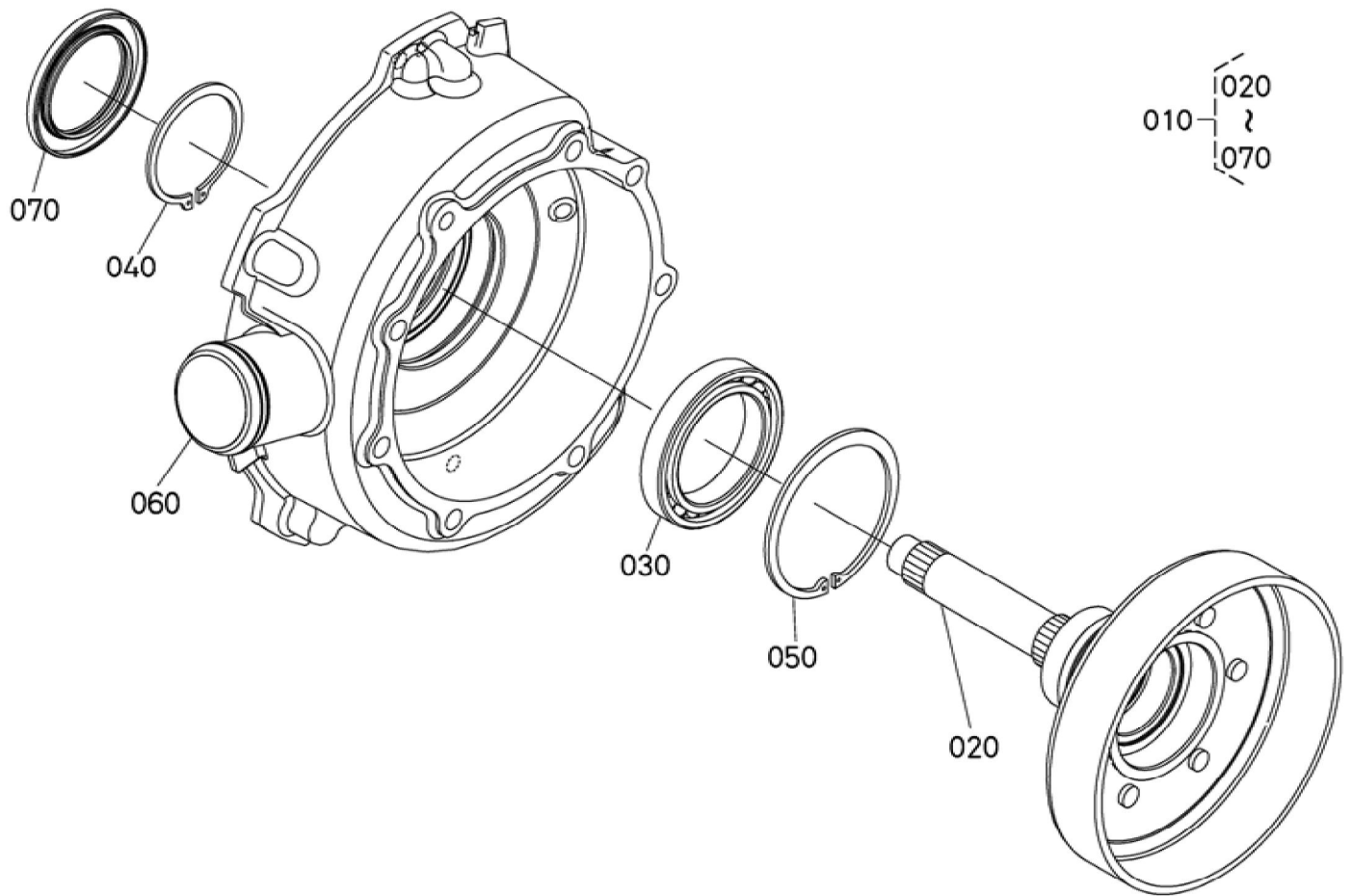


BKIDK5047 >> RTV400CIR-A/H >> MOTOR / ENGINE >> 114000 KUPPLUNG / CLUTCH

Update Date : 2019/10/03 Print Date : 2022/03/18

No.	Part Number	Part Name (POL)	Part Name (ENG)	QTY	IC	Serial No./PIN	Kg	Remarks
010	K7211-14302	GRP.KUPPLUNG	CASE,ASSY (CLUTCH)	1			3.800	
020	K7211-14100	GRP.KUPPLUNG	CLUTCH,ASSY(DRIVE)	1			2.230	
030	E7179-80100	KUGELLAGER	BALL BEARING	1			0.075	
040	E7179-80110	MUTTER	LOCK NUT	1			0.027	
050	E7179-80120	SCHEIBE	WASHER	1			0.013	
060	K7211-14260	KUPPLUNG	CLUTCH(ONE-WAY)	1			0.083	
070	E7179-80130	DICHTUNGSPLATTE	GASKET (CLUTCH CASE)	1			0.005	
080	E7179-80140	SCHRAUBE	FLANGE BOLT	6			0.028	

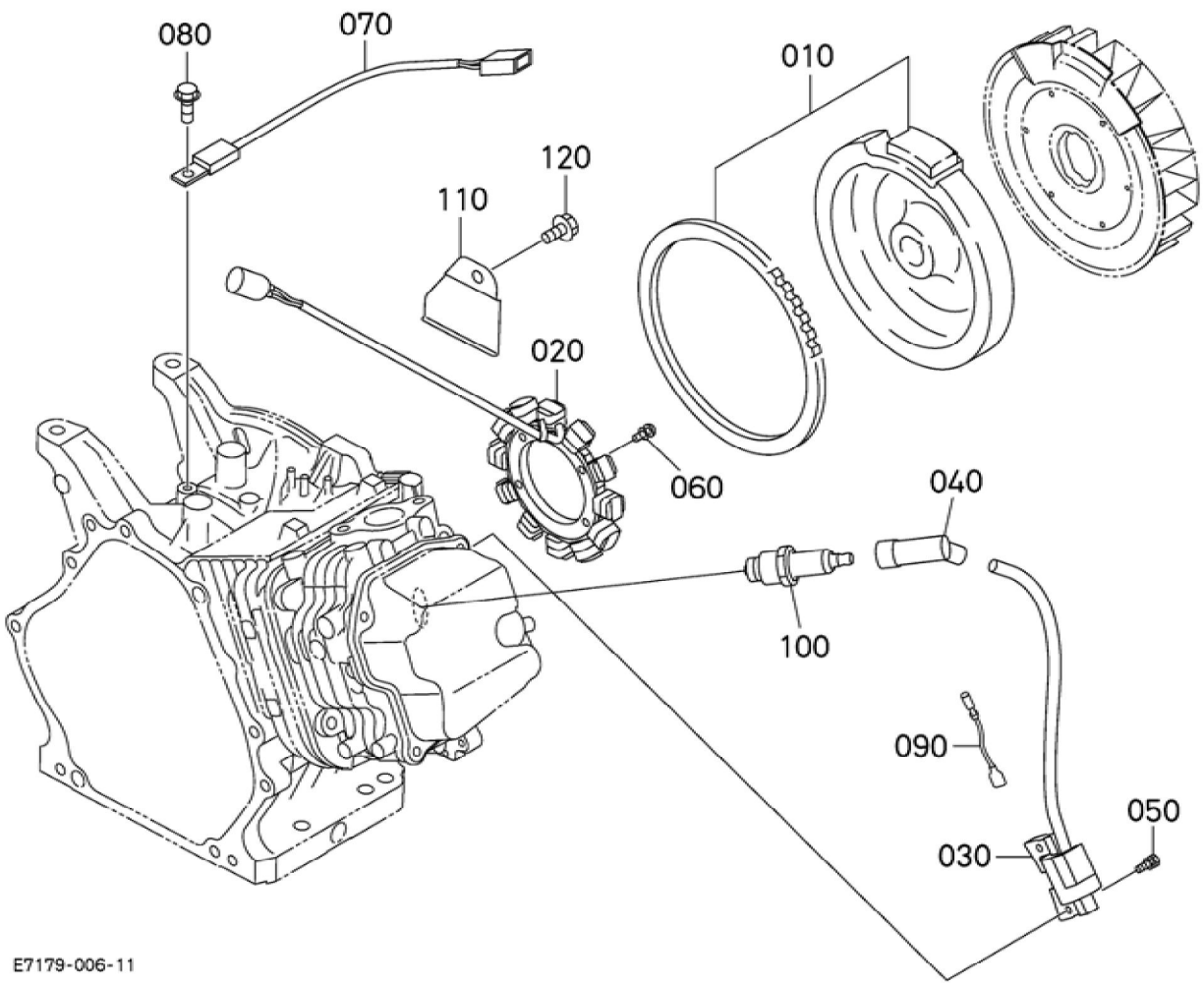
Update Date : 2019/10/03 Print Date : 2022/03/18



Update Date : 2019/10/03 Print Date : 2022/03/18

No.	Part Number	Part Name (POL)	Part Name (ENG)	QTY	IC	Serial No./PIN	Kg	Remarks
010	K7211-14302	GRP.KUPPLUNG	CASE,ASSY (CLUTCH)	1			3.800	
020	K7211-14310	WELLE	SHAFT,OUTER CLUTCH	1			1.820	
030	K7211-14320	KUGELLAGER	BEARING,BALL(6911C3)	1			0.184	
040	K7211-14330	SPRENGRING, AUSSEN	CIRCLIP	1			0.014	
050	K7211-14340	SPRENGRING	CIRCLIP	1			0.024	
060	K7211-14360	KUPPLUNGSGEHAEUSE	CASE (CLUCH)	1			1.710	
070	K7211-14372	OELDICHTUNGSRING	SEAL,OIL (HTC507206)	1			0.021	

Update Date : 2019/10/03 Print Date : 2022/03/18



E7179-006-11



Download the full PDF manual instantly.

Our customer service e-mail:

aservicemanualpdf@yahoo.com