

## BKIDK5046 &gt;&gt; RTV400CI-A/H &gt;&gt; MOTOR / ENGINE &gt;&gt; 101000 KURBELGHAEUSE / CRANKCASE

Update Date : 2019/10/03 Print Date : 2022/03/17

| No. | Part Number | Part Name (POL)  | Part Name (ENG)      | QTY | IC | Serial No./PIN | Kg    | Remarks |
|-----|-------------|------------------|----------------------|-----|----|----------------|-------|---------|
| 010 | E7179-10010 | KURBELGEHAEUSE   | CRANK CASE CP        | 1   |    |                | 7.200 |         |
| 020 | E7179-10020 | OELDICHTUNGSRING | OIL SEAL             | 1   |    |                | 0.013 |         |
| 030 | E7179-10030 | KUGELLAGER       | BALL BEARING         | 1   |    |                | 0.288 |         |
| 040 | E4181-02140 | LAGER            | BEARING,BALL         | 1   |    |                | 0.044 |         |
| 050 | E7179-10050 | ROHR             | PIPE KNOCK           | 2   |    |                | 0.003 |         |
| 060 | E4181-33750 | STOPFEN          | PLUG                 | 1   |    |                | 0.022 |         |
| 070 | E4181-33850 | DICHTUNGSPLATTE  | GASKET               | 1   |    |                | 0.001 |         |
| 080 | E7179-10060 | HAKEN            | LIFT HOOK            | 1   |    |                | 0.141 |         |
| 090 | E7179-10070 | BOLZEN/SCHLEIBE  | BOLT AND WASHER AY   | 2   |    |                | 0.021 |         |
| 100 | E7179-10080 | KUGELLAGER       | MAINBEARING COVER CP | 1   |    |                | 2.347 |         |
| 110 | E7179-10030 | KUGELLAGER       | BALL BEARING         | 1   |    |                | 0.288 |         |
| 120 | E4181-02140 | LAGER            | BEARING,BALL         | 1   |    |                | 0.044 |         |
| 130 | E7179-10110 | BLIND-STOPFEN    | BLIND PLUG           | 1   |    |                | 0.003 |         |
| 140 | E7179-10120 | STOPFEN          | PLUG (PT1/4)         | 1   |    |                | 0.006 |         |
| 150 | E4181-33750 | STOPFEN          | PLUG                 | 1   |    |                | 0.022 |         |
| 160 | E4181-33850 | DICHTUNGSPLATTE  | GASKET               | 1   |    |                | 0.001 |         |
| 170 | E7179-10130 | ROTOR            | INNER ROTOR (SCAV)   | 1   |    |                | 0.019 |         |
| 180 | E7179-10140 | ROTOR            | OUTER ROTOR          | 1   |    |                | 0.036 |         |
| 190 | E7179-10150 | ABDECKUNG        | PUMP COVER           | 1   |    |                | 0.097 |         |
| 200 | E7179-10160 | WELLE            | OIL PUMP SHAFT       | 1   |    |                | 0.037 |         |
| 210 | E7179-10170 | ZAHNRAD          | PUMP GEAR            | 1   |    |                | 0.140 |         |
| 220 | E7179-10180 | DISTANZSCHLEIBE  | SPACER               | 1   |    |                | 0.004 |         |

## BKIDK5046 &gt;&gt; RTV400CI-A/H &gt;&gt; MOTOR / ENGINE &gt;&gt; 101000 KURBELGHAEUSE / CRANKCASE

Update Date : 2019/10/03 Print Date : 2022/03/17

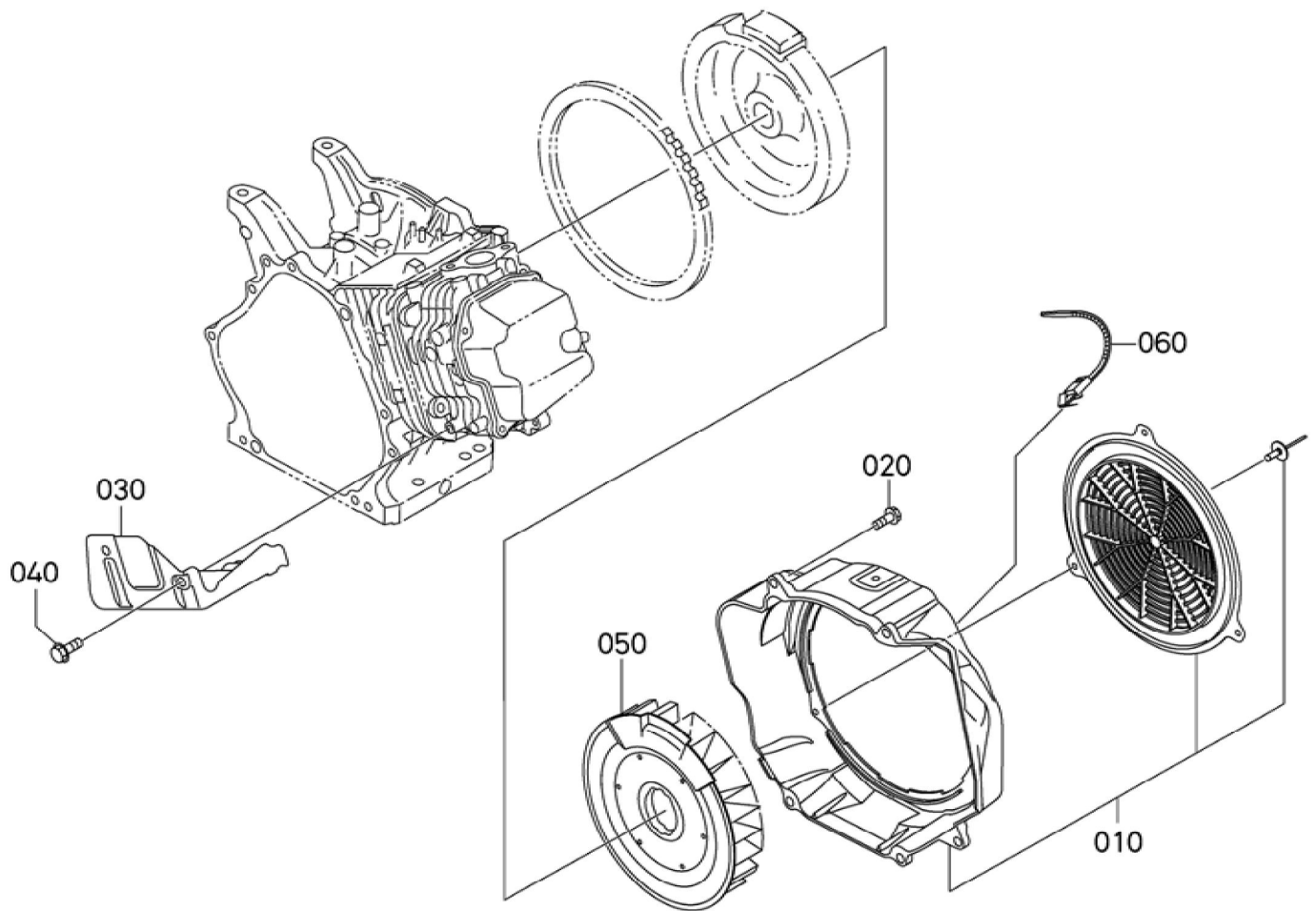
| No. | Part Number | Part Name (POL)      | Part Name (ENG)     | QTY | IC | Serial No./PIN | Kg    | Remarks |
|-----|-------------|----------------------|---------------------|-----|----|----------------|-------|---------|
| 230 | E7179-10190 | SCHELLE              | CLIP,SNAPRING       | 1   |    |                | 0.001 |         |
| 240 | E7179-10200 | STIFT                | DOWEL PIN           | 3   |    |                | 0.001 |         |
| 250 | E7179-10210 | SCHRAUBE             | FLANGE BOLT         | 4   |    |                | 0.007 |         |
| 260 | E7179-10220 | ROHR                 | SUCTION PIPE CP     | 1   |    |                | 0.028 |         |
| 270 | E7179-10230 | SCHRAUBE             | FLANGE BOLT         | 1   |    |                | 0.007 |         |
| 280 | E7179-10240 | OELFILTER            | UNION-OIL FILTER    | 1   |    |                | 0.051 |         |
| 290 | E7179-10250 | OELDRUCKSCHALTER     | SWITCH OIL PRESSURE | 1   |    |                | 0.032 |         |
| 300 | E7179-10260 | SCHRAUBE             | FLANGE BOLT         | 6   |    |                | 0.023 |         |
| 310 | E7179-10270 | SCHRAUBE             | FLANGE BOLT         | 1   |    |                | 0.030 |         |
| 320 | E7179-10280 | SCHRAUBE             | FLANGE BOLT         | 1   |    |                | 0.040 |         |
| 330 | E7179-10290 | ZYLINDERKOPF         | CYLINDER HEAD AY    | 1   |    |                | 1.810 |         |
| 340 | E7179-10300 | STEBBOLZEN           | STUD                | 2   |    |                | 0.017 |         |
| 350 | E7179-10310 | STEBBOLZEN           | STUD                | 2   |    |                | 0.011 |         |
| 360 | E7179-10320 | DICHTUNGEN           | SEAL-EXH VALVE      | 1   |    |                | 0.001 |         |
| 370 | E7179-10330 | SCHELLE              | CLIP                | 1   |    |                | 0.001 |         |
| 380 | E7179-10340 | HALTEPLATTE          | RETAINER PLATE      | 1   |    |                | 0.002 |         |
| 390 | E7179-10350 | ZYLINDERKOPFDICHTUNG | GASKET (HEAD)       | 1   |    |                | 0.042 |         |
| 400 | E7179-10360 | STIFT                | DOWEL PIN           | 2   |    |                | 0.002 |         |
| 410 | E4181-03080 | SCHRAUBE             | BOLT,FLANGE         | 4   |    |                | 0.053 |         |
| 420 | E7179-10370 | SCHRAUBE             | FLANGE BOLT         | 2   |    |                | 0.018 |         |
| 430 | E7179-10382 | DECKEL               | ROCKER COVER CP     | 1   |    |                | 0.360 |         |

## BKIDK5046 &gt;&gt; RTV400CI-A/H &gt;&gt; MOTOR / ENGINE &gt;&gt; 101000 KURBELGHAUSE / CRANKCASE

Update Date : 2019/10/03 Print Date : 2022/03/17

| No. | Part Number | Part Name (POL)      | Part Name (ENG)               | QTY | IC | Serial No./PIN | Kg    | Remarks |
|-----|-------------|----------------------|-------------------------------|-----|----|----------------|-------|---------|
| 440 | E7179-10390 | DICHTUNGSP<br>LATTE  | GASKET<br>(ROCKER<br>COVER)   | 1   |    |                | 0.002 |         |
| 450 | E4181-14520 | SCHRAUBE             | BOLT,FLANG<br>E               | 4   |    |                | 0.005 |         |
| 460 | E7179-60050 | OELMESSST<br>AB      | OIL GAUGE<br>CP               | 1   |    |                | 0.021 |         |
| 470 | E7179-60060 | KAPPE                | OIL FILLER<br>CAP CP          | 1   |    |                | 0.011 |         |
| 480 | E7179-60070 | O RING               | O RING                        | 1   |    |                | 0.001 |         |
| 490 | HH150-32430 | OELFILTERP<br>ATRONE | FILTER<br>(CARTRIDGE,<br>OIL) | 1   |    |                | 0.200 |         |
| 500 | E7179-70170 | DRAHT                | WIRE CP(OIL<br>PRE.SW)        | 1   |    |                | 0.007 |         |
| 510 | E7179-70180 | BAND                 | WIRE BAND                     | 1   |    |                | 0.001 |         |
| 520 | E7179-10400 | DICHTUNG             | GASKET(SET)                   | 1   |    |                | 0.090 |         |

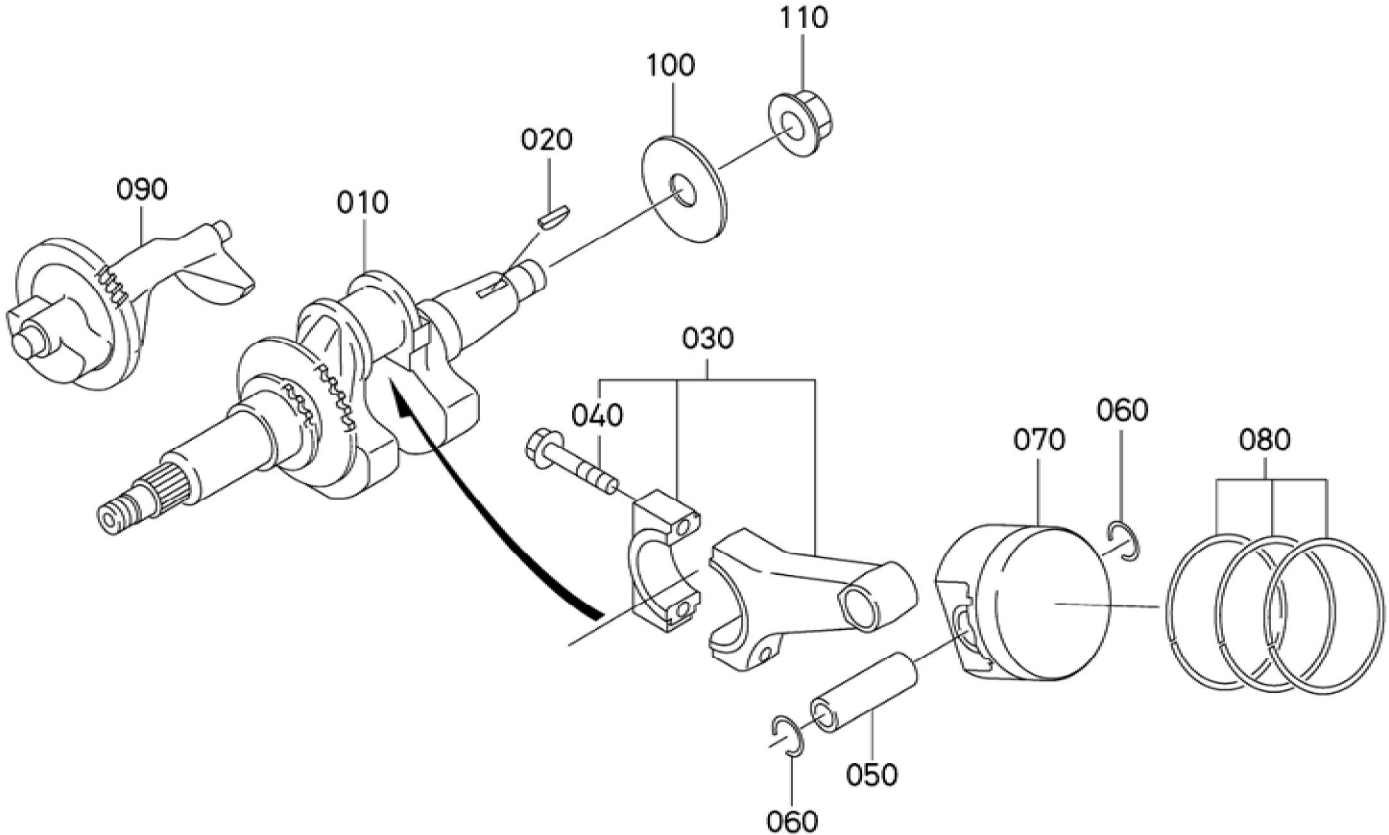
Update Date : 2019/10/03 Print Date : 2022/03/17



Update Date : 2019/10/03 Print Date : 2022/03/17

| No. | Part Number | Part Name (POL) | Part Name (ENG)       | QTY | IC | Serial No./PIN | Kg    | Remarks |
|-----|-------------|-----------------|-----------------------|-----|----|----------------|-------|---------|
| 010 | E7179-50050 | DECKEL          | FAN COVER<br>CP       | 1   |    |                | 0.770 |         |
| 020 | E7179-50010 | SCHRAUBE        | FLANGE<br>BOLT        | 5   |    |                | 0.006 |         |
| 030 | E7179-50040 | LEITBLECH       | BAFFLE 2<br>(HEAD) CP | 1   |    |                | 0.087 |         |
| 040 | E4181-14520 | SCHRAUBE        | BOLT,FLANG<br>E       | 3   |    |                | 0.005 |         |
| 050 | E7179-70040 | GEBLAESE        | COOLING<br>BLOWER     | 1   |    |                | 0.243 |         |
| 060 | E7179-70120 | KLAMMER         | CLAMP                 | 1   |    |                | 0.002 |         |

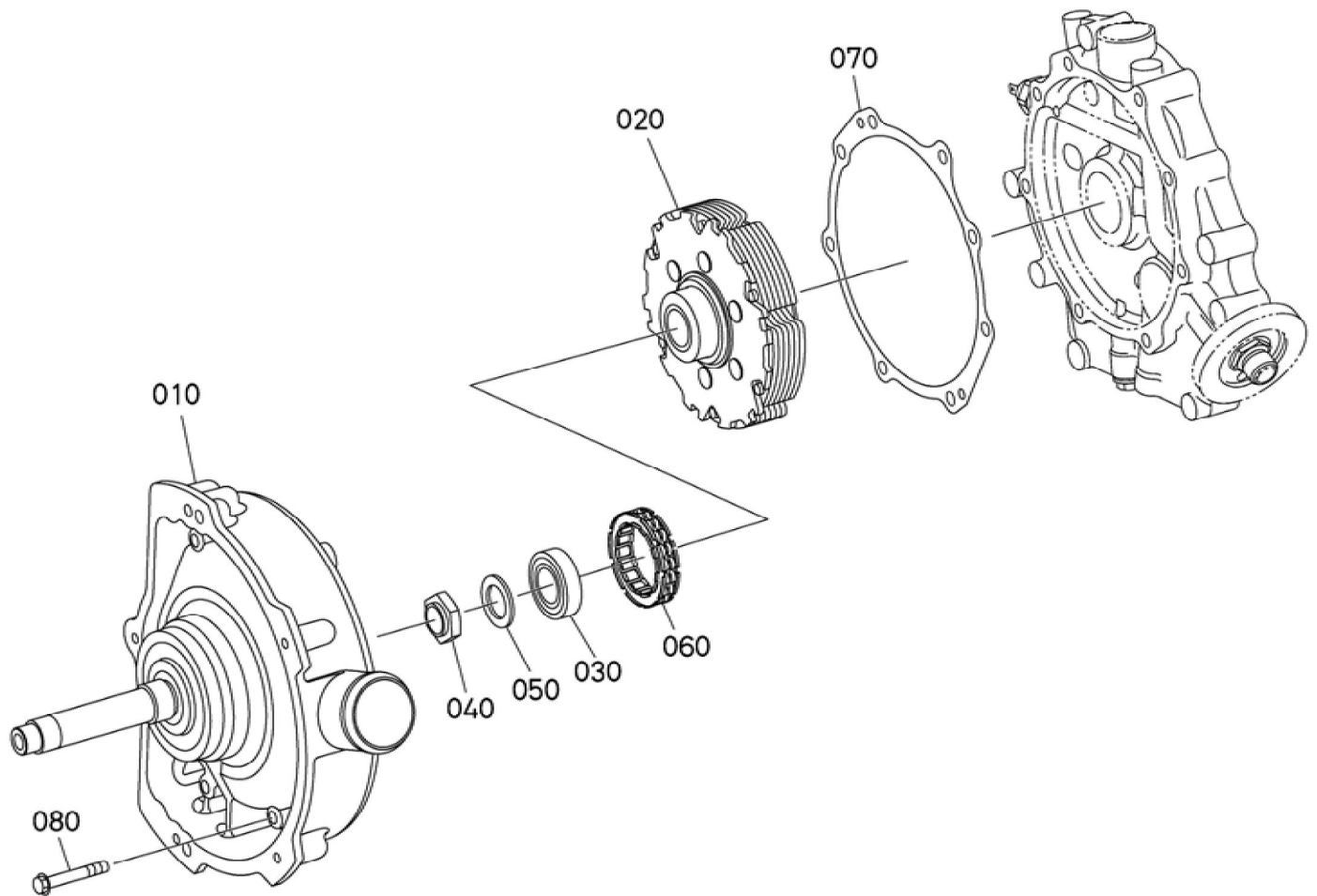
Update Date : 2019/10/03 Print Date : 2022/03/17



Update Date : 2019/10/03 Print Date : 2022/03/17

| No. | Part Number | Part Name (POL) | Part Name (ENG)   | QTY | IC | Serial No./PIN | Kg    | Remarks |
|-----|-------------|-----------------|-------------------|-----|----|----------------|-------|---------|
| 010 | E7179-20000 | KURBELWELLE     | CRANKSHAFT CP     | 1   |    |                | 4.165 |         |
| 020 | E7179-20010 | SCHEIBEN-KEIL   | WOODRUFF KEY      | 1   |    |                | 0.004 |         |
| 030 | E7179-20020 | PLEUELSTANGE    | CONNECTING ROD AY | 1   |    |                | 0.286 |         |
| 040 | E4181-22140 | SCHRAUBE        | BOLT,FLANGE       | 2   |    |                | 0.016 |         |
| 050 | E7179-20030 | KOLBENBOLZEN    | PISTON PIN        | 1   |    |                | 0.083 |         |
| 060 | E7179-20040 | SCHELLE         | CLIP              | 2   |    |                | 0.001 |         |
| 070 | E7179-20052 | KOLBEN          | PISTON            | 1   |    |                | 0.246 | STD     |
| 070 | E7179-20062 | KOLBEN          | PISTON            | 1   |    |                | 0.252 | +0.25mm |
| 070 | E7179-20072 | KOLBEN          | PISTON            | 1   |    |                | 0.252 | +0.50mm |
| 080 | E7179-20080 | KOLBENRINGE     | PISTON RING SET   | 1   |    |                | 0.022 | STD     |
| 080 | E7179-20090 | KOLBENRINGE     | PISTON RING SET   | 1   |    |                | 0.020 | +0.25mm |
| 080 | E7179-20100 | KOLBENRINGE     | PISTON RING SET   | 1   |    |                | 0.021 | +0.50mm |
| 090 | E7179-20110 | SCHWINGWELLE    | BALANCER SHAFT    | 1   |    |                | 1.016 |         |
| 100 | E7179-70050 | SCHEIBE         | WASHER            | 1   |    |                | 0.053 |         |
| 110 | E4181-67350 | MUTTER          | NUT,FLANGE        | 1   |    |                | 0.036 |         |



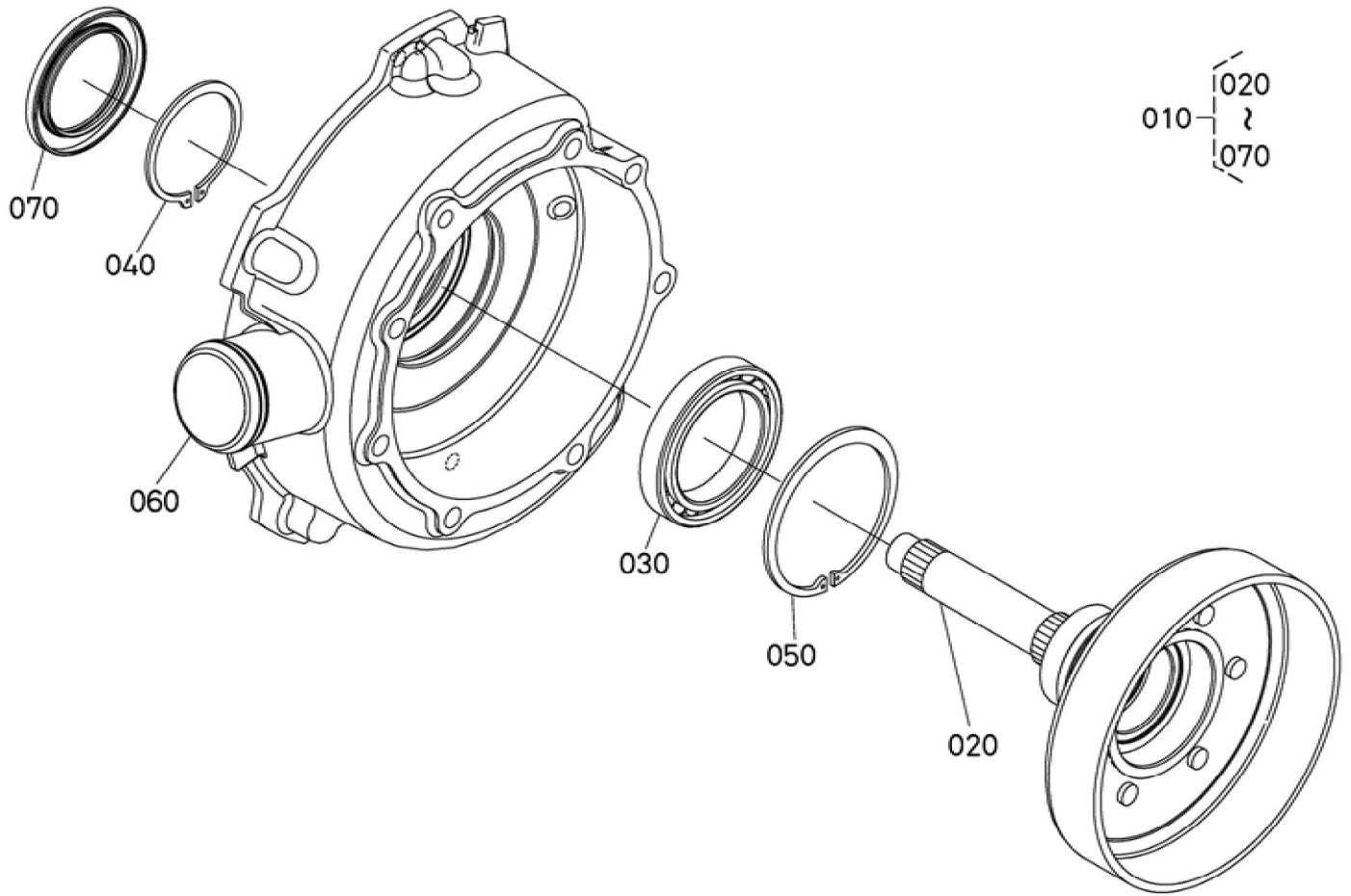


## BKIDK5046 &gt;&gt; RTV400CI-A/H &gt;&gt; MOTOR / ENGINE &gt;&gt; 114000 KUPPLUNG / CLUTCH

Update Date : 2019/10/03 Print Date : 2022/03/17

| No. | Part Number | Part Name (POL) | Part Name (ENG)      | QTY | IC | Serial No./PIN | Kg    | Remarks |
|-----|-------------|-----------------|----------------------|-----|----|----------------|-------|---------|
| 010 | K7211-14302 | GRP.KUPPLUNG    | CASE,ASSY (CLUTCH)   | 1   |    |                | 3.800 |         |
| 020 | K7211-14100 | GRP.KUPPLUNG    | CLUTCH,ASSY(DRIVE)   | 1   |    |                | 2.230 |         |
| 030 | E7179-80100 | KUGELLAGER      | BALL BEARING         | 1   |    |                | 0.075 |         |
| 040 | E7179-80110 | MUTTER          | LOCK NUT             | 1   |    |                | 0.027 |         |
| 050 | E7179-80120 | SCHEIBE         | WASHER               | 1   |    |                | 0.013 |         |
| 060 | K7211-14260 | KUPPLUNG        | CLUTCH(ONE-WAY)      | 1   |    |                | 0.083 |         |
| 070 | E7179-80130 | DICHTUNGSPLATTE | GASKET (CLUTCH CASE) | 1   |    |                | 0.005 |         |
| 080 | E7179-80140 | SCHRAUBE        | FLANGE BOLT          | 6   |    |                | 0.028 |         |

Update Date : 2019/10/03 Print Date : 2022/03/17





**Download the full PDF manual instantly.**

**Our customer service e-mail:**

**[aservicemanualpdf@yahoo.com](mailto:aservicemanualpdf@yahoo.com)**