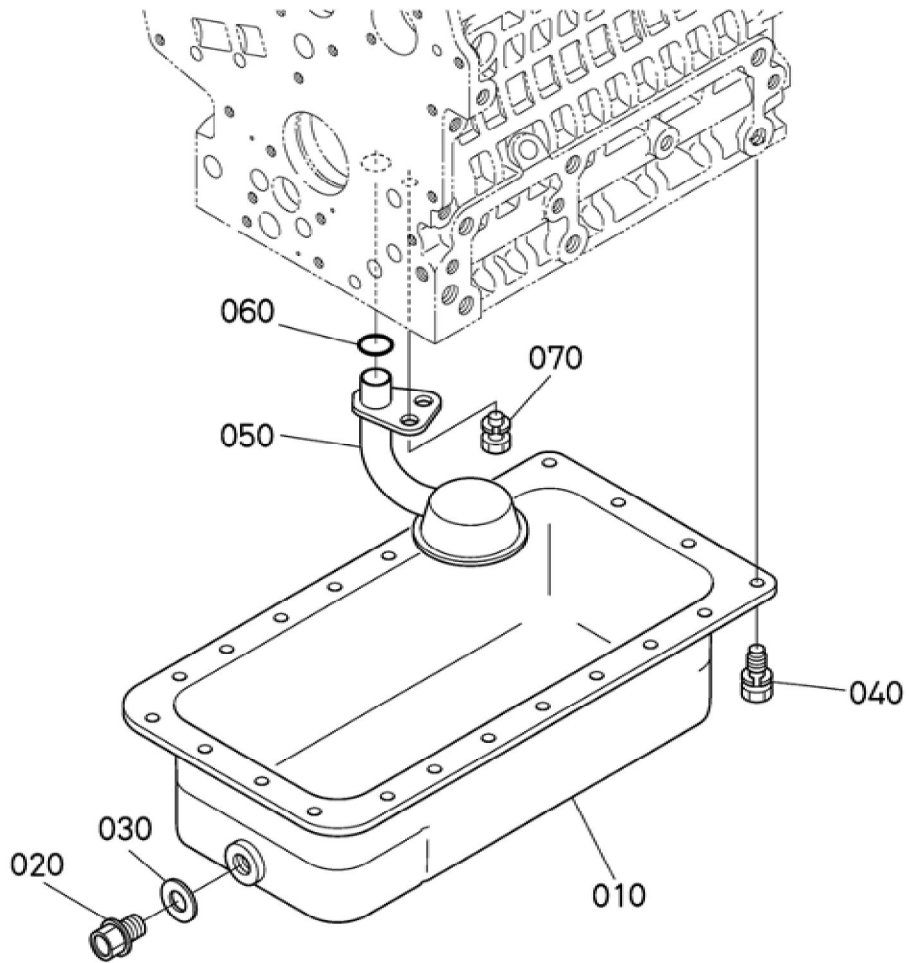


BKIDK5114 >> RTV-X900MWEU >> MOTOR / ENGINE >> 000100 KURBELGHAEUSE / CRANKCASE

Update Date : 2020/04/27 Print Date : 2022/03/27

No.	Part Number	Part Name (POL)	Part Name (ENG)	QTY	IC	Serial No./PIN	Kg	Remarks
010	1G826-01012	KOMP.KURBELGEHAEUSE	CRANKCASE, COMP	1			28.000	
020	16851-96260	KAPPE	CAP,SEALING	3			0.005	
030	16851-96270	KAPPE	CAP,SEALING	3			0.005	
040	06311-85025	STOEPSEL,ABDICHTUNG	CAP,SEALING	2			0.010	
050	15451-96270	KAPPE	CAP,SEALING	2			0.010	
060	15261-96010	STOPFEN	PLUG	5			0.002	
070	15521-96020	STOPFEN	PLUG	3			0.003	
080	15521-96030	STOPFEN	PLUG	1			0.007	
090	15261-96160	STOPFEN	PLUG,EXPANSION	1			0.020	
100	05012-00508	ZYLINDERSTIFT	PIN,STRAIGHT	2			0.001	
110	05012-00814	ZYLINDERSTIFT	PIN,STRAIGHT	2			0.006	
120	15221-33650	ROHRSTIFT	PIN,PIPE	1			0.004	
130	17331-59190	ROHRSTIFT	PIN,PIPE	2			0.002	
140	17331-59190	ROHRSTIFT	PIN,PIPE	2			0.002	
150	06311-55020	STOPFEN	PLUG	1			0.031	
160	04717-01320	GUMMIUNTERLAGE	WASHER,SEAL	1			0.002	
170	1G513-36550	STOPFEN, OELMESSSTAB	PLUG,OIL GAUGE	1			0.004	

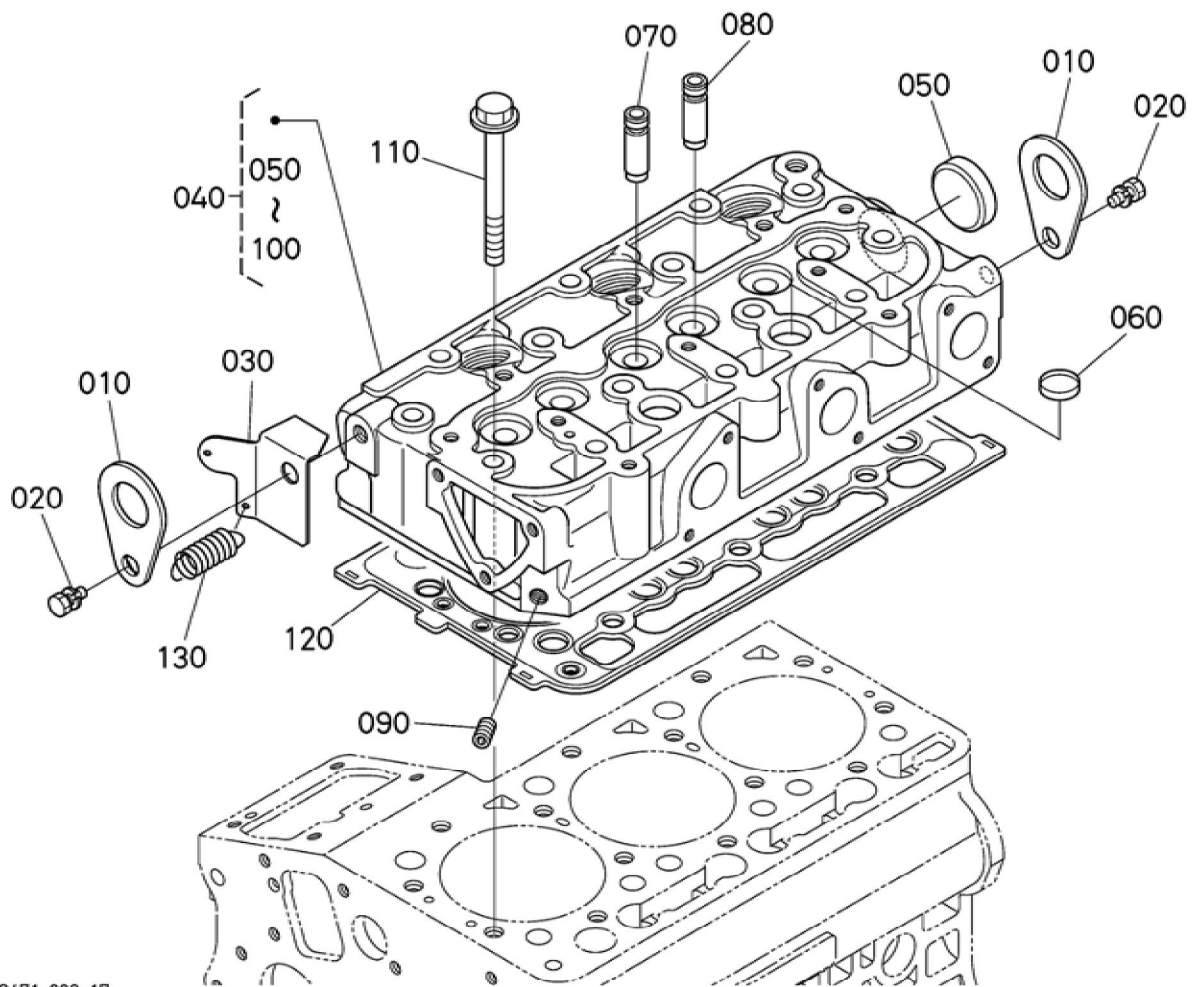


BKIDK5114 >> RTV-X900MWEU >> MOTOR / ENGINE >> 000200 OL-FANGER / OIL PAN

Update Date : 2020/04/27 Print Date : 2022/03/27

No.	Part Number	Part Name (POL)	Part Name (ENG)	QTY	IC	Serial No./PIN	Kg	Remarks
010	1G471-01500	KOMP.OELW ANNE	PAN,OIL,COM P	1			1.080	
020	13901-33750	ENTLEERUN GSSTOPFEN	PLUG,DRAIN	1			0.025	
030	6C090-58960	DICHTUNGSP LATTE	GASKET	1			0.005	
040	01023-50612	BOLZEN	BOLT,SEMS	22			0.005	
050	15857-32113	OELFILTER	FILTER(OIL)	1			0.120	
060	04814-00160	O RING	O RING	1			0.001	
070	01123-50814	BOLZEN	BOLT,SEMS	1			0.010	

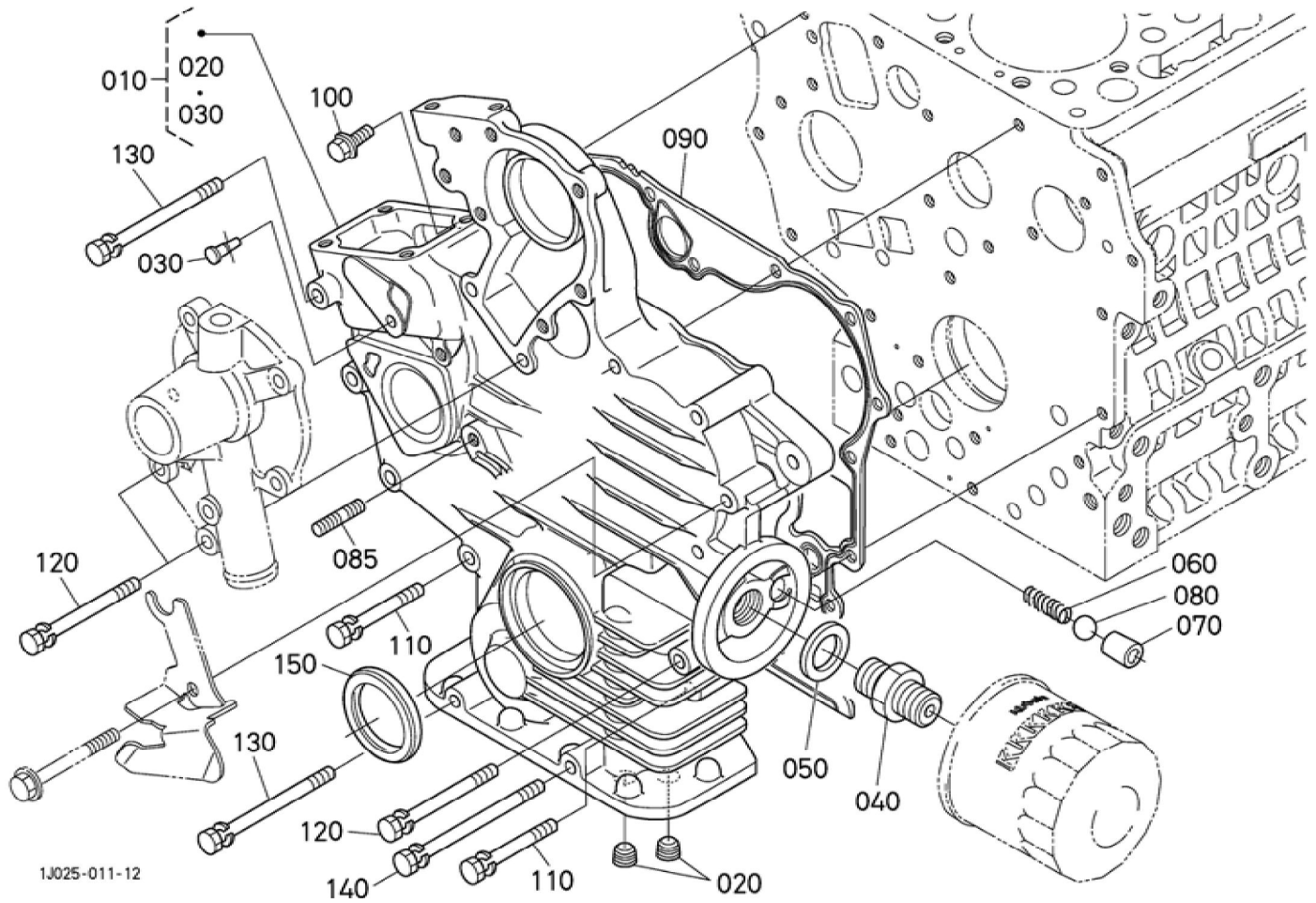
Update Date : 2020/04/27 Print Date : 2022/03/27



BKIDK5114 >> RTV-X900MWEU >> MOTOR / ENGINE >> 000300 ZYLINDERKOPF / CYLINDER HEAD

Update Date : 2020/04/27 Print Date : 2022/03/27

No.	Part Number	Part Name (POL)	Part Name (ENG)	QTY	IC	Serial No./PIN	Kg	Remarks
010	15221-01750	MOTORHAKE N	HOOK,ENGIN E	2			0.040	
020	01123-50816	SCHRAUBE	BOLT,SEMS	2			0.011	
030	16667-57692	STREBE	STAY	1			0.100	
040	1J025-03040	KOMP.ZYLIN DERKOPF	HEAD,CYLIN DER,COMP	1			7.000	
050	15321-96260	KAPPE	CAP,SEALING	1			0.014	
060	15261-03370	STOEPSEL,A BDICHTUNG	CAP,SEALING	2			0.005	
070	15841-13540	EINLASSVEN TILFUEHRUN G	GUIDE,VALVE (INLET)	3			0.014	
080	15841-13560	AUSLASSVEN TILFUEHRUN G	GUIDE (EXHAUST VALVE)	3			0.014	
090	15261-96010	STOPFEN	PLUG	1			0.002	
100	1G090-96010	STECKER	PLUG	1			0.003	AUßER GEBRAUCH
110	14601-03450	ZYLINDERKO PFSCHRAUB E	BOLT,HEAD (CYLINDER)	14			0.035	
120	1G962-03313	ZYLINDERKO PFDICHTUNG	GASKET,CYL. HEAD	1			0.060	
130	19837-57923	RUECKZUGF EDER	SPRING,RET URN	1			0.005	



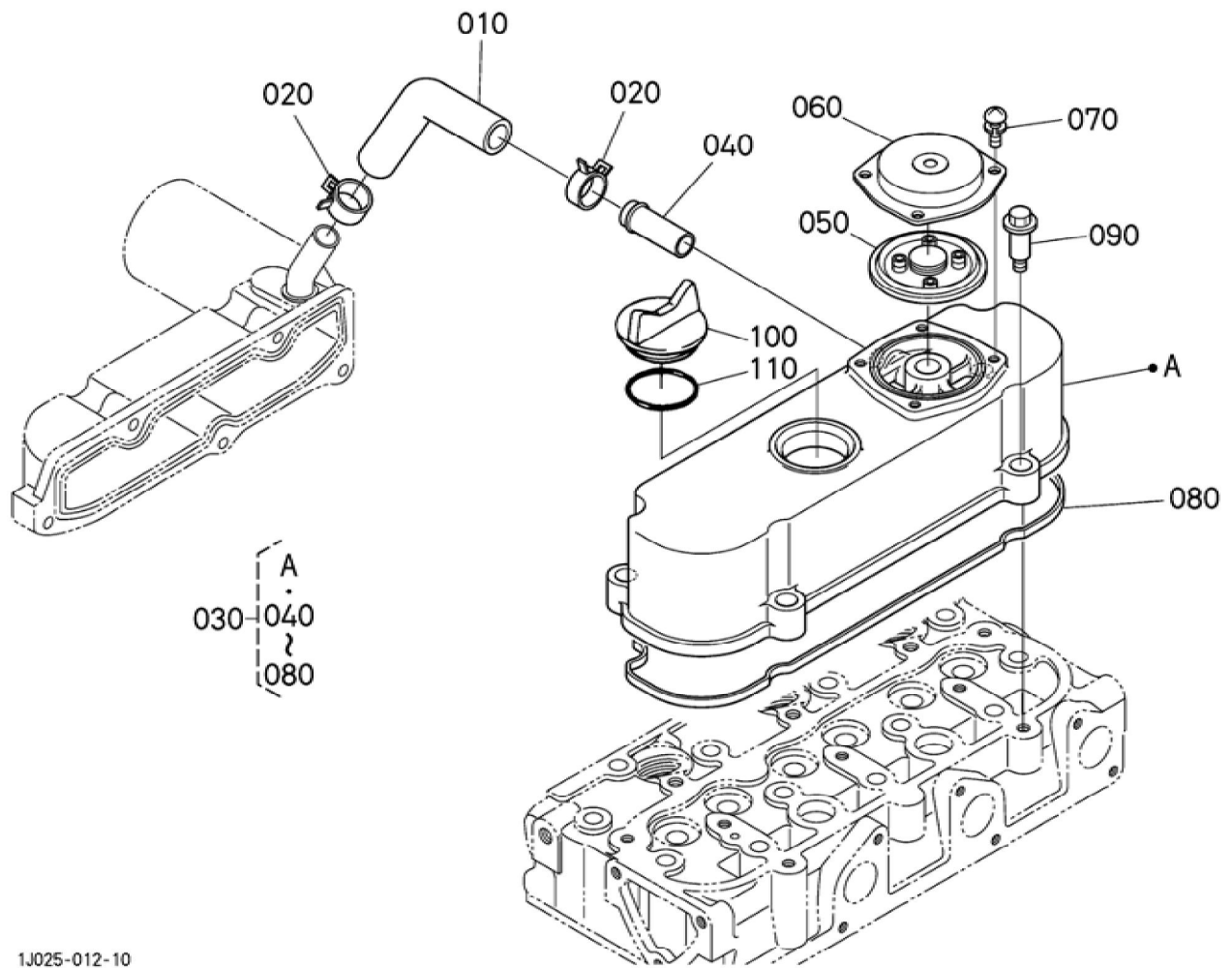
1J025-011-12

BKIDK5114 >> RTV-X900MWEU >> MOTOR / ENGINE >> 000400 GETRIEBE GEHAEUSE / GEAR CASE

Update Date : 2020/04/27 Print Date : 2022/03/27

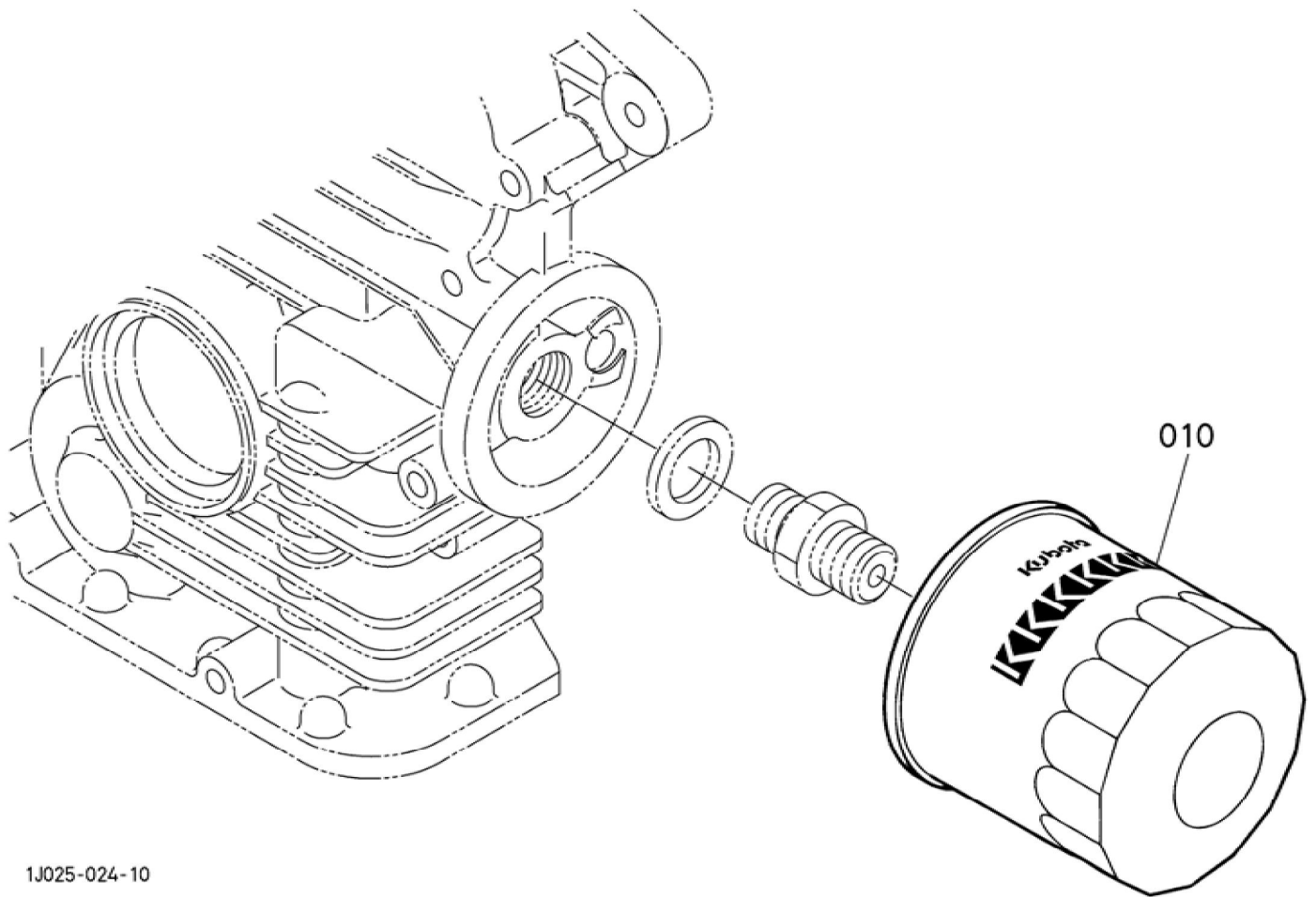
No.	Part Number	Part Name (POL)	Part Name (ENG)	QTY	IC	Serial No./PIN	Kg	Remarks
010	1G460-04024	GETRIEBE GEHAEUSE,K OMP.	COMP.CASE, GEAR	1			2.120	
020	15521-96030	STOPFEN	PLUG	2			0.007	
030	15841-56280	STARTFEDER STIFT	PIN(START SPRING)	1			0.005	
040	15241-32290	VERBINDUNG SSTUECK	JOINT,PIPE	1			0.053	
050	15841-94010	SCHEIBE	WASHER,PLA IN	1			0.003	
060	16851-36950	FEDER	SPRING	1			0.020	
070	15841-36930	SITZ,VENTIL	SEAT,VALVE	1			0.003	
080	07715-03211	KUGEL	BALL	1			0.003	
085	15841-91510	STEBBOLZEN	STUD	1			0.007	
090	1G962-04130	DICHTUNG	GASKET,GEA R CASE	1			0.028	
100	01754-50616	SCHRAUBE	BOLT,FLANG E	1			0.006	
110	01023-50650	BOLZEN	BOLT,SEMS	8			0.012	
120	15841-91010	BOLZEN	BOLT	3			0.014	
130	01023-50680	BOLZEN	BOLT,SEMS	2			0.017	
140	01023-50690	BOLZEN	BOLT,SEMS	1			0.019	
150	1G471-04140	OELDICHTUN GSRING	OIL SEAL	1		<=4EVZ999	0.010	
150	1J094-04140	OELDICHTUN GSRING	SEAL,OIL	1	>>	>=4EW0001	0.013	

Update Date : 2020/04/27 Print Date : 2022/03/27



Update Date : 2020/04/27 Print Date : 2022/03/27

No.	Part Number	Part Name (POL)	Part Name (ENG)	QTY	IC	Serial No./PIN	Kg	Remarks
010	1G960-05513	SCHLAUCH	TUBE (BREATHING)	1			0.008	
020	09318-88125	SCHLAUCHS CHELLE	CLAMP,HOSE	2			0.001	
030	1G960-14505	VENTILDECK EL	HEAD COVER,ASSY	1			0.640	
040	16241-73370	ROHR	PIPE,WATER RETURN	1			0.007	
050	1G911-05203	ENTLUEFTER	COMP VALVE,BREA THER	1			0.010	
060	1G801-05120	ENTLUEFTER DECKEL	COVER,BREA THER	1			0.035	
070	03024-50510	SCHRAUBE	SCREW,SEM S(PAN HEAD)	4			0.002	
080	1G962-14522	VENTILDECK ELDICHTUNG	GASKET,HEA D COVER	1			0.007	
090	1G911-91022	BOLZEN	BOLT	4			0.015	
100	E9151-33140	OELEINFUEL LSTOPFEN	PLUG(OIL FILLER)	1			0.017	
110	1J001-96770	O RING	O RING	1			0.001	





Download the full PDF manual instantly.

Our customer service e-mail:

aservicemanualpdf@yahoo.com