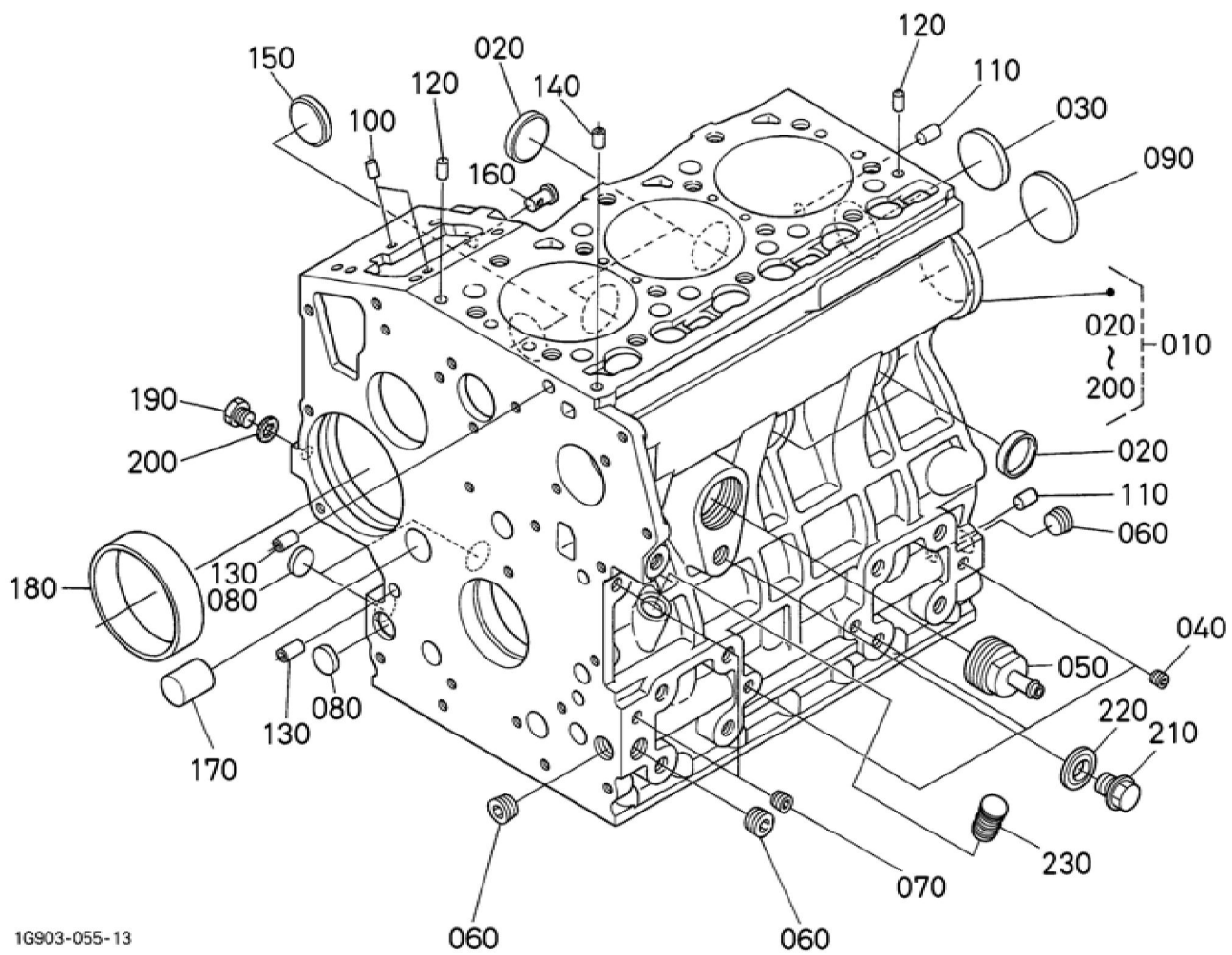
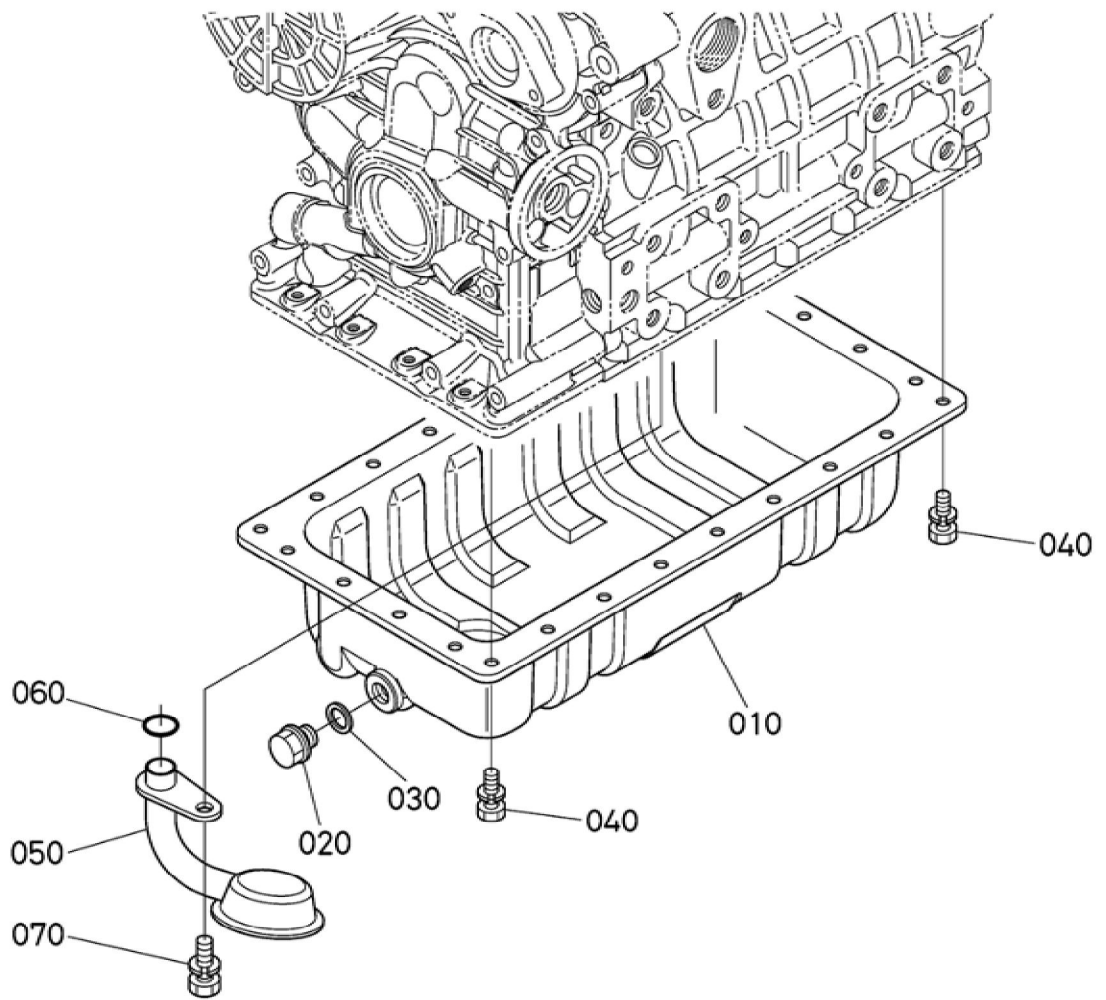


Update Date : 2020/07/02 Print Date : 2022/03/26



Update Date : 2020/07/02 Print Date : 2022/03/26

No.	Part Number	Part Name (POL)	Part Name (ENG)	QTY	IC	Serial No./PIN	Kg	Remarks
010	1G675-01016	KURBELGHAUSE,KOMP.	COMP.CRANKCASE	1		<=1KHZ999	31.000	
010	1J422-01012	KOMP.KURBELGEHAEUSE	COMP.CRANKCASE	1	>>	>=1KJ0001	40.000	
020	15451-96270	KAPPE	CAP,SEALING	4			0.010	
030	15221-03490	STOPFEN	CAP,SEALING	1			0.020	
040	15261-96010	STOPFEN	PLUG	3			0.002	
050	16241-73173	ANSCHLUSSSTUECK	JOINT,DRAIN PIPE	1			0.095	
060	16241-96010	STOPFEN	PLUG	3			0.007	
070	15521-96020	STOPFEN	PLUG	2			0.003	
080	17391-96160	STOPFEN	PLUG,EXPANSION	3			0.003	
090	16271-96160	STOPFEN	PLUG,EXPANSION	1			0.025	
100	05012-00508	ZYLINDERSTIFT	PIN,STRAIGHT	2			0.001	
110	05012-00814	ZYLINDERSTIFT	PIN,STRAIGHT	2			0.006	
120	05012-00610	ZYLINDERSTIFT	PIN,STRAIGHT	2			0.003	
130	15231-33960	ROHRSTIFT	PIN,PIPE	2			0.001	
140	16241-33650	ROHRSTIFT	PIN,PIPE	1			0.002	
150	16241-96262	STOPFEN	PLUG,FUEL CAMSHAFT	1			0.007	
160	16261-56280	STARTFEDERSTIFT	PIN(START SPRING)	1			0.004	
170	16282-96010	STOPFEN	PLUG	1			0.090	
180	16271-55350	BUCHSE	BUSHING (GEAR,GOVERNOR)	1			0.060	
190	1G896-33610	BOLZEN	PLUG	1			0.008	
200	15021-33660	DICHTUNGSPLATTE	PACKING	1			0.001	
210	06311-55020	STOPFEN	PLUG	1			0.031	
220	04717-01320	GUMMIUNTERLAGE	WASHER,SEAL	1			0.002	
230	1G513-36550	STOPFEN, OELMESSSTAB	PLUG,OIL GAUGE	1			0.004	

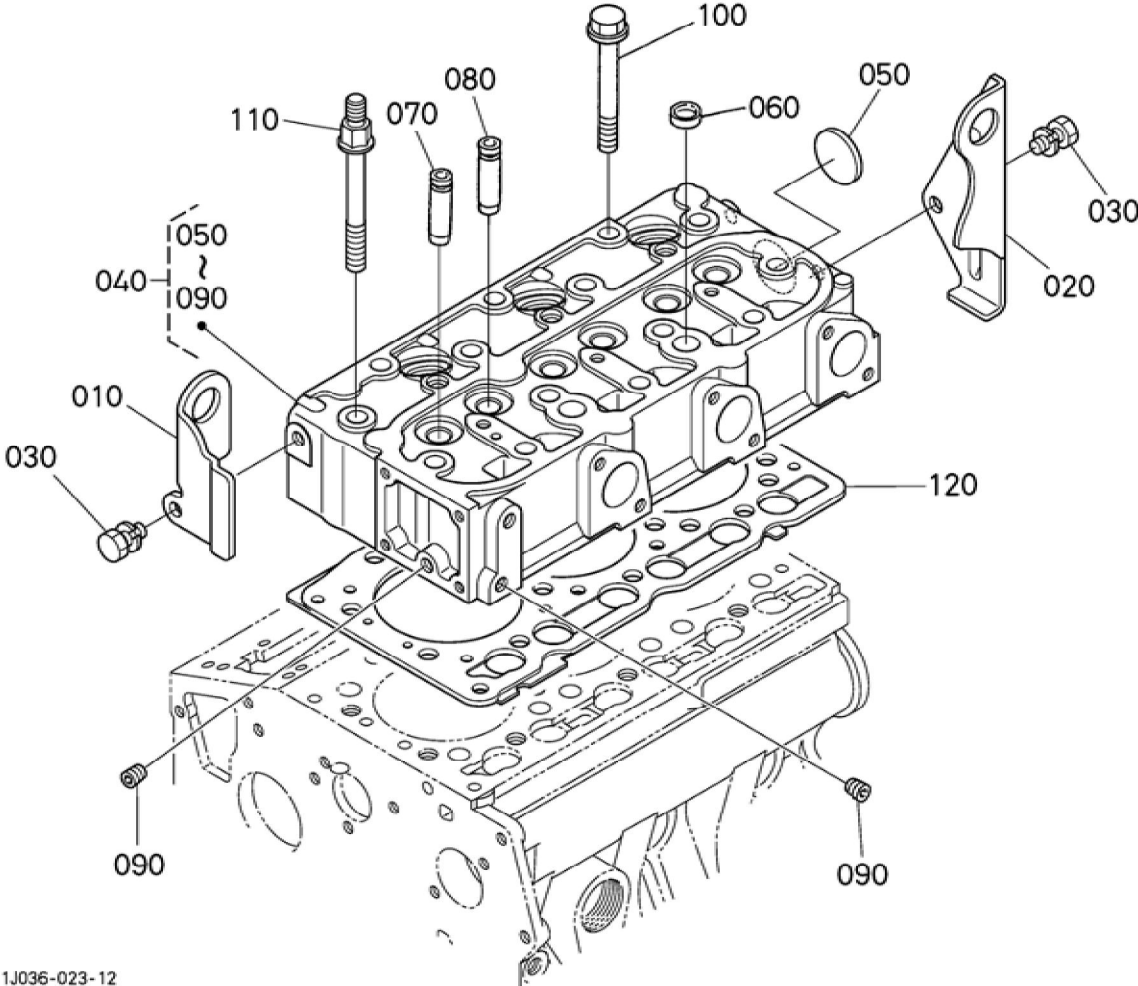


BKIDK5288 >> RTV-X1110TWEU MC >> MOTOR / ENGINE >> 000200 OELWANNE / OIL PAN

Update Date : 2020/07/02 Print Date : 2022/03/26

No.	Part Number	Part Name (POL)	Part Name (ENG)	QTY	IC	Serial No./PIN	Kg	Remarks
010	1G910-01500	OELWANNE,K OMP.	COMP.OIL PAN	1			1.600	
020	13901-33750	ENTLEERUN GSSTOPFEN	PLUG,DRAIN	1			0.025	
030	6C090-58960	DICHTUNGSP LATTE	GASKET	1			0.005	
040	01023-50614	BOLZEN	BOLT,SEMS	26			0.005	
050	1G910-32110	KRAFTSTOFF ILTER	FILTER,OIL	1			0.100	
060	04814-00160	O RING	O RING	1			0.001	
070	01123-50816	SCHRAUBE	BOLT,SEMS	1			0.011	

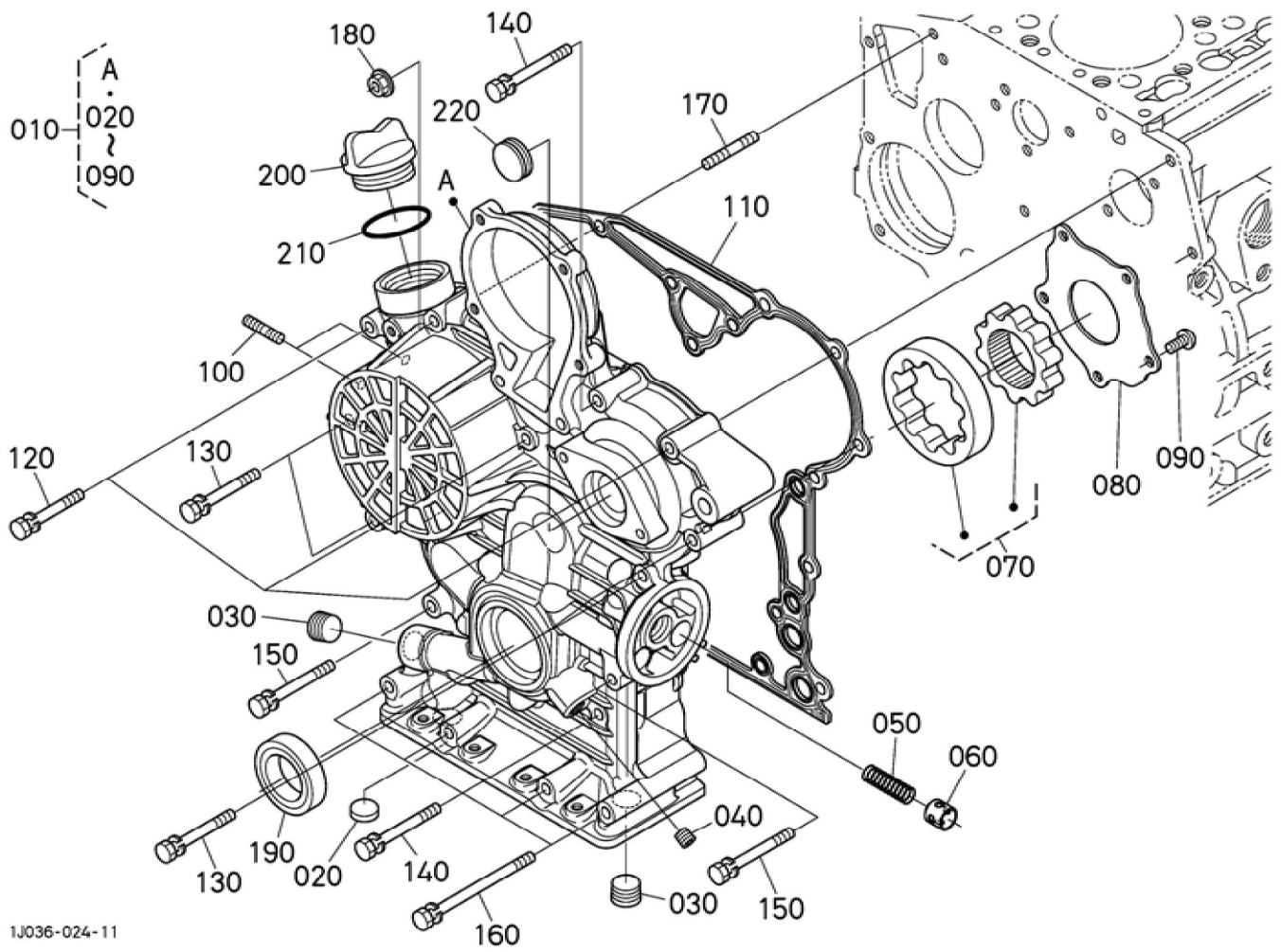
Update Date : 2020/07/02 Print Date : 2022/03/26



Update Date : 2020/07/02 Print Date : 2022/03/26

No.	Part Number	Part Name (POL)	Part Name (ENG)	QTY	IC	Serial No./PIN	Kg	Remarks
010	16241-01753	HAKEN	HOOK,ENGINE	1			0.140	
020	16241-01770	MOTORHAKEN	HOOK,ENGINE	1			0.175	
030	01123-50814	BOLZEN	BOLT,SEMS	2			0.010	
040	1J096-03040	KOMP.ZYLINDERKOPF	HEAD,CYLINDER COMP	1			9.300	
050	15321-96260	KAPPE	CAP,SEALING	1			0.014	
060	15261-03370	STOEPSEL,ABDICHTUNG	CAP,SEALING	2			0.005	
070	16261-13540	EINLASSVENTILFUEHRUNG	GUIDE,INLET VALVE	3			0.020	
080	16261-13560	AUSLASSVENTILFUEHRUNG	GUIDE,EXHAUST VALVE	3			0.019	
090	15261-96010	STOPFEN	PLUG	2			0.002	
100	16241-03450	ZYLINDERKOPFSCHRAUBE	BOLT,HEAD (CYLINDER)	13			0.050	
110	16216-03450	ZYLINDERKOPFSCHRAUBE	BOLT,CYLINDER HEAD	1			0.070	
120	1G063-03310	ZYLINDERKOPFDICHTUNG	GASKET (HEAD,CYL)	1			0.160	

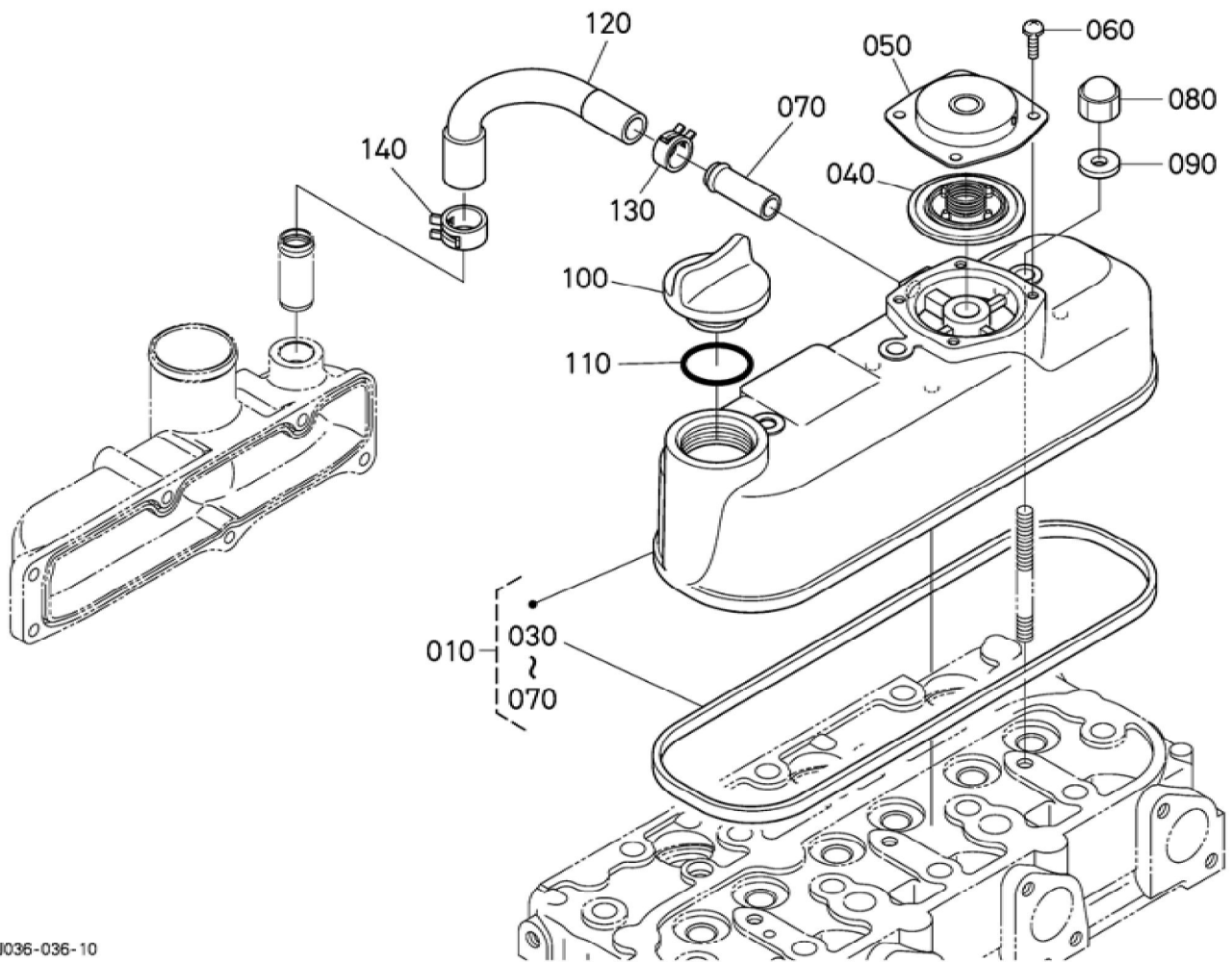
Update Date : 2020/07/02 Print Date : 2022/03/26



Update Date : 2020/07/02 Print Date : 2022/03/26

No.	Part Number	Part Name (POL)	Part Name (ENG)	QTY	IC	Serial No./PIN	Kg	Remarks
010	1G910-04025	GETRIEBE GEHAEUSE,K OMP.	CASE,GEAR, COMP	1			2.900	
020	06311-85016	STOEPSEL,A BDICHTUNG	CAP,SEALING	1			0.003	
030	16241-96020	STOPFEN	PLUG	2			0.015	
040	15521-96020	STOPFEN	PLUG	1			0.003	
050	1J050-36950	FEDER	SPRING	1			0.004	
060	1J050-36930	UEBERLAUFV ENTIL	VALVE (RELIEF)	1			0.005	
070	1J050-35070	ROTOR KOMP.	ROTOR,ASSY (OIL PUMP)	1			0.244	
080	1J050-35132	DECKEL, OELPUMPE	COVER(OIL PUMP)	1			0.085	
090	03017-50614	SCHRAUBE	SCREW,BINDI NG(PHILLIPS)	5			0.005	
100	16245-91540	STEBBOLZEN	STUD	2			0.005	
110	1G700-04132	DICHTUNG	GASKET,GEA R CASE	1		<=1KKZ999	0.015	REIHENFOLG E VON REF.No.110 NEUE TEILE.
110	1G700-04133	DICHTUNG	GASKET,GEA R CASE	1	>>	>=1KL0001	0.015	
120	01023-50645	BOLZEN	BOLT,SEMS	3			0.010	
130	01023-50650	BOLZEN	BOLT,SEMS	4			0.012	
140	01023-50655	BOLZEN	BOLT,SEMS	2			0.012	
150	01023-50670	BOLZEN	BOLT,SEMS	2			0.015	
160	01023-50685	BOLZEN	BOLT,SEMS	4			0.018	
170	16245-91530	STEBBOLZEN	STUD	1			0.010	
180	02751-50060	MUTTER	NUT,FLANGE	1			0.005	
190	16241-04212	OELDICHTUN GSRING	SEAL,OIL	1		<=1KKZ999	0.012	
190	1J036-04210	SIMMERRING	SEAL,OIL	1	>>	>=1KL0001	0.016	
200	E9151-33140	OELEINFUEL LSTOPFEN	PLUG(OIL FILLER)	1			0.017	
210	1J001-96770	O RING	O RING	1			0.001	
220	16264-83342	DECKEL, GETRIEBEGE HAEUSE	COVER,GEAR CASE	1			0.010	

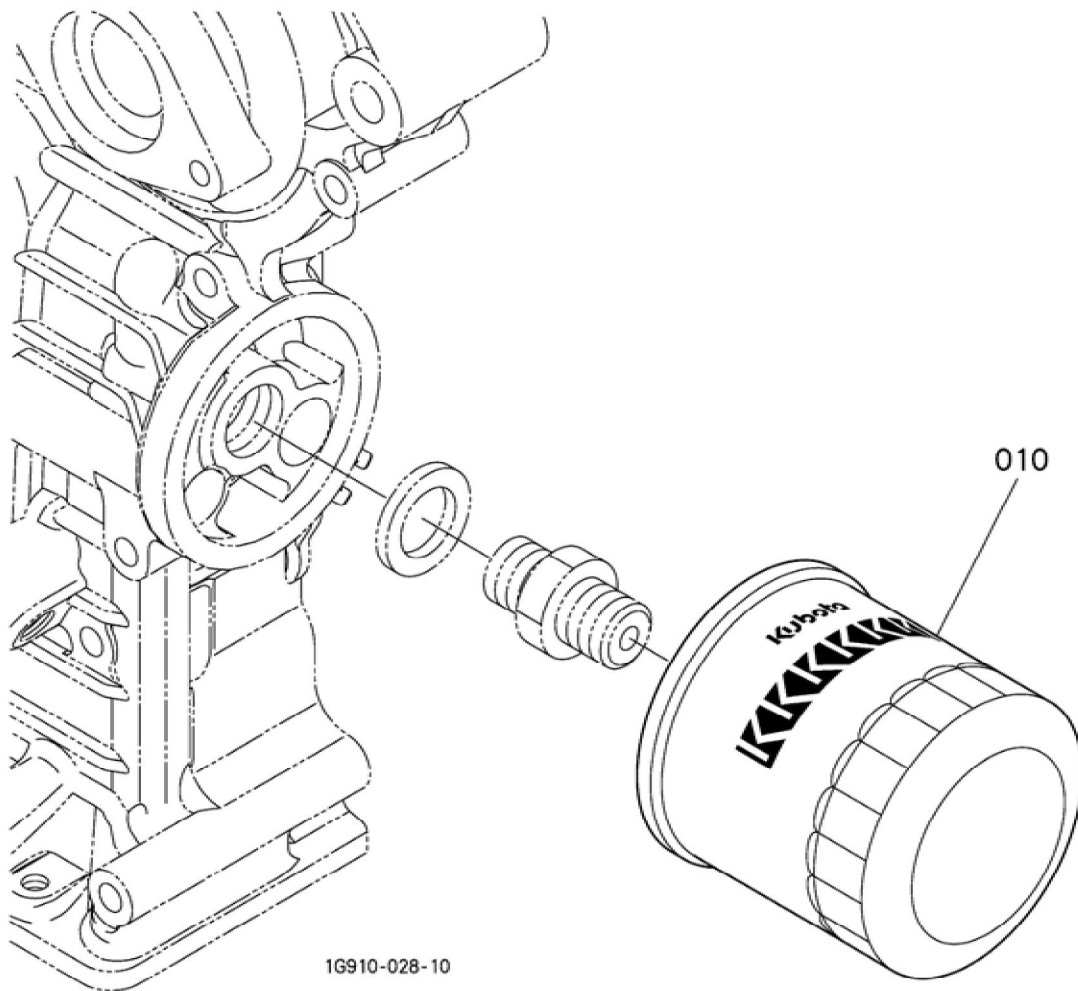
Update Date : 2020/07/02 Print Date : 2022/03/26



BKIDK5288 >> RTV-X1110TWEU MC >> MOTOR / ENGINE >> 000500 DECKEL OBEN / HEAD COVER

Update Date : 2020/07/02 Print Date : 2022/03/26

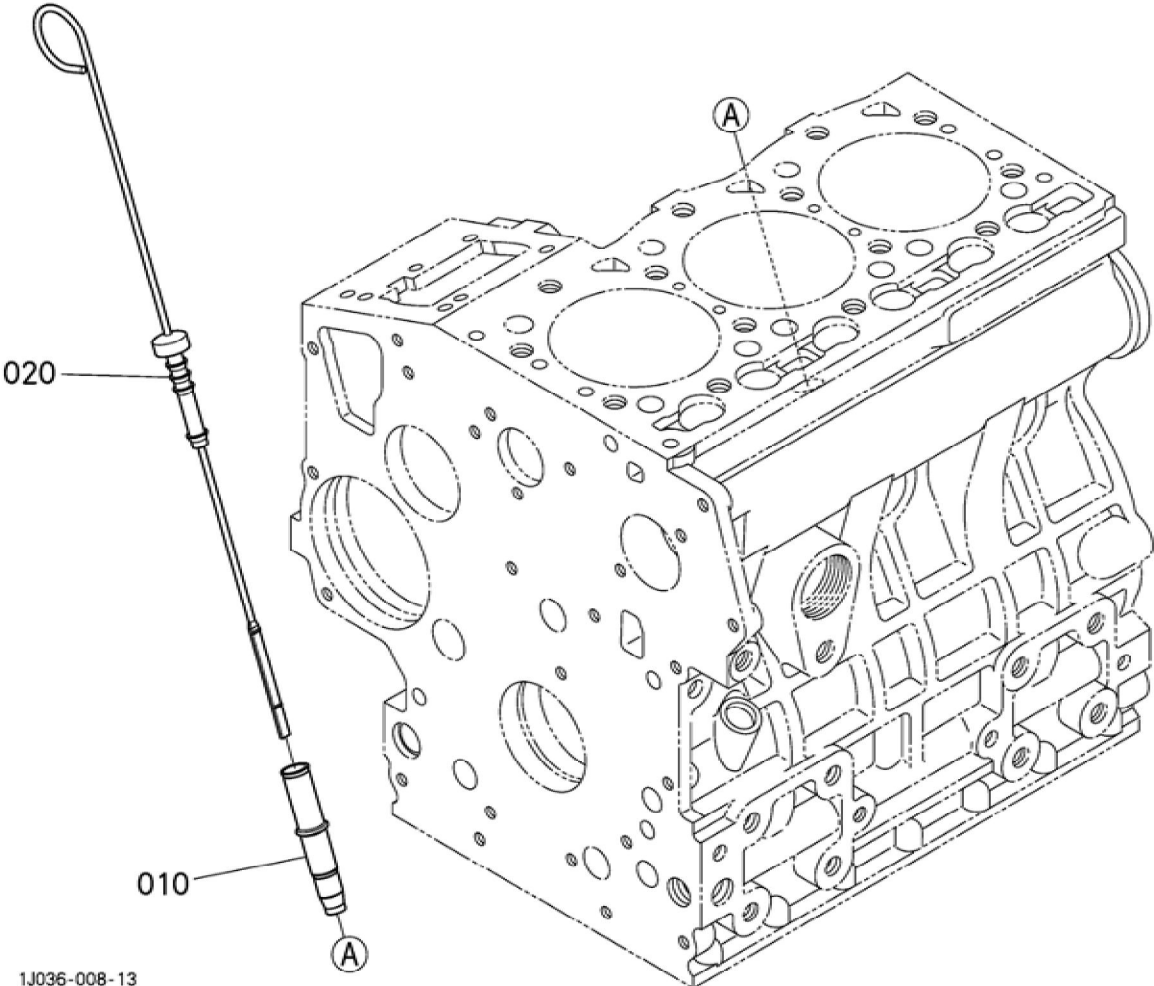
No.	Part Number	Part Name (POL)	Part Name (ENG)	QTY	IC	Serial No./PIN	Kg	Remarks
010	1G032-14580	DECKEL OBEN,KOMP.	COVER,HEAD ,ASSY	1			0.800	
030	16261-14524	VENTILDECK ELDICHTUNG	GASKET,HEAD COVER	1			0.010	
040	1G911-05203	ENTLUEFTER	COMP VALVE,BREATH ER	1			0.010	
050	1G801-05120	ENTLUEFTER DECKEL	COVER,BREATH ER	1			0.035	
060	03024-50510	SCHRAUBE	SCREW,SEMS (PAN HEAD)	4			0.002	
070	17331-73342	WASSERROHR	PIPE,WATER RETURN	1			0.010	
080	15952-92330	MUTTER	NUT,CAP	3			0.010	
090	15951-96660	DICHTUNGSP LATTE	PACKING	3			0.001	
100	E9151-33140	OELEINFUEL LSTOPFEN	PLUG(OIL FILLER)	1			0.017	
110	1J001-96770	O RING	O RING	1			0.001	
120	1G032-05512	ENTLUFTUN GSROHR	TUBE,BREATH ER	1			0.017	
130	09318-88150	SCHLAUCHBI NDER	CLAMPHOSE	1			0.004	
140	16259-05580	SCHLAUCHBI NDER	BAND,PIPE	1			0.030	



BKIDK5288 >> RTV-X1110TWEU MC >> MOTOR / ENGINE >> 000600 OELFILTER / OIL FILTER

Update Date : 2020/07/02 Print Date : 2022/03/26

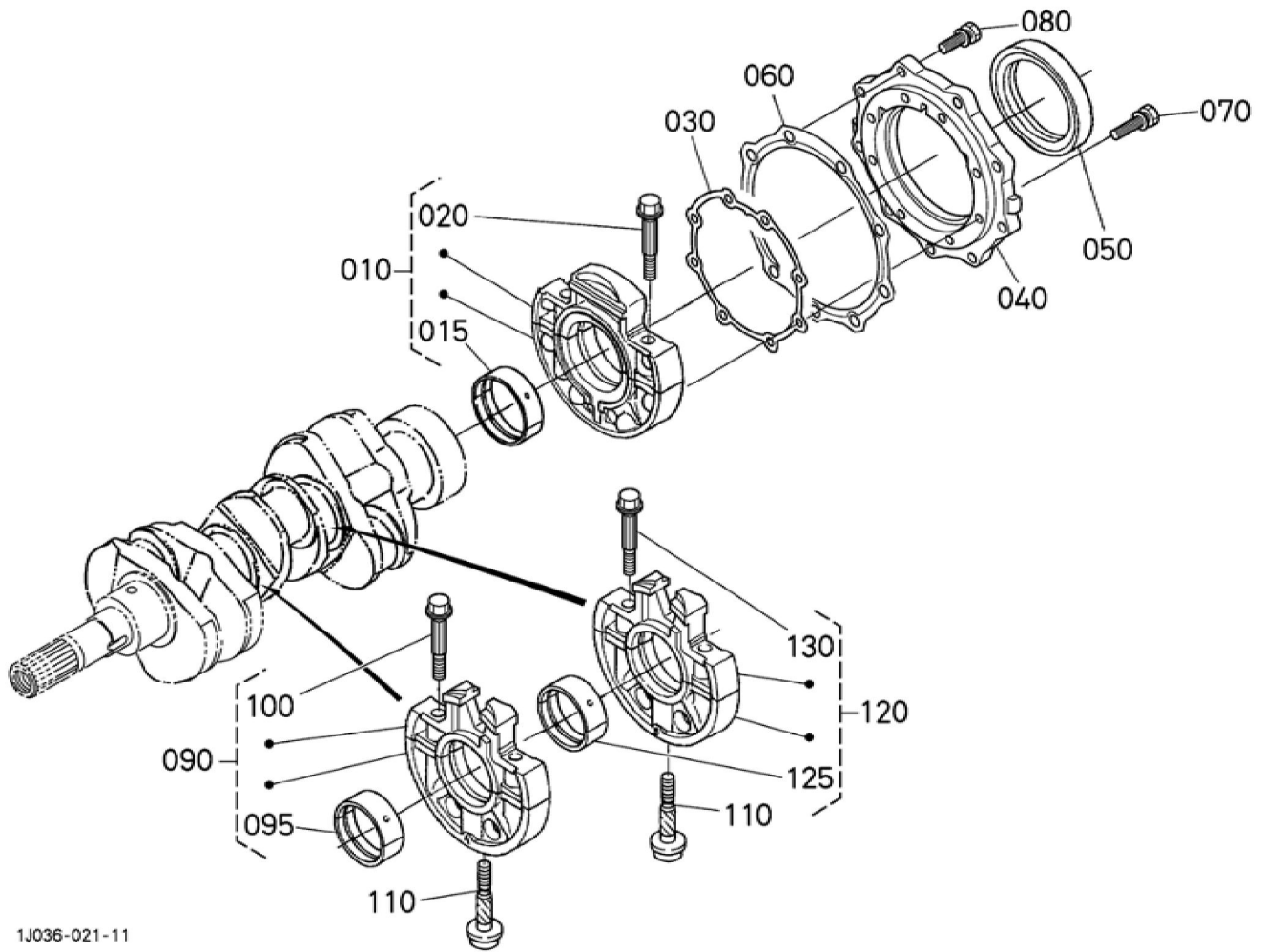
No.	Part Number	Part Name (POL)	Part Name (ENG)	QTY	IC	Serial No./PIN	Kg	Remarks
010	HH150-32094	OELFILTERP ATRONE	CARTRIDGE OIL FILTER	1			0.300	



Update Date : 2020/07/02 Print Date : 2022/03/26

No.	Part Number	Part Name (POL)	Part Name (ENG)	QTY	IC	Serial No./PIN	Kg	Remarks
010	16809-36420	FUEHRUNG, OELMESSST AB	GUIDE (GAUGE,OIL)	1			0.028	
020	17450-36410	OELMESSST AB	GAUGE,OIL	1			0.030	

Update Date : 2020/07/02 Print Date : 2022/03/26





Download the full PDF manual instantly.

Our customer service e-mail:

aservicemanualpdf@yahoo.com