

BKIDK5234 >> RT140 >> ENGINE / ENGINE >> 000100 KURBELGEHAEUSE / CRANKCASE

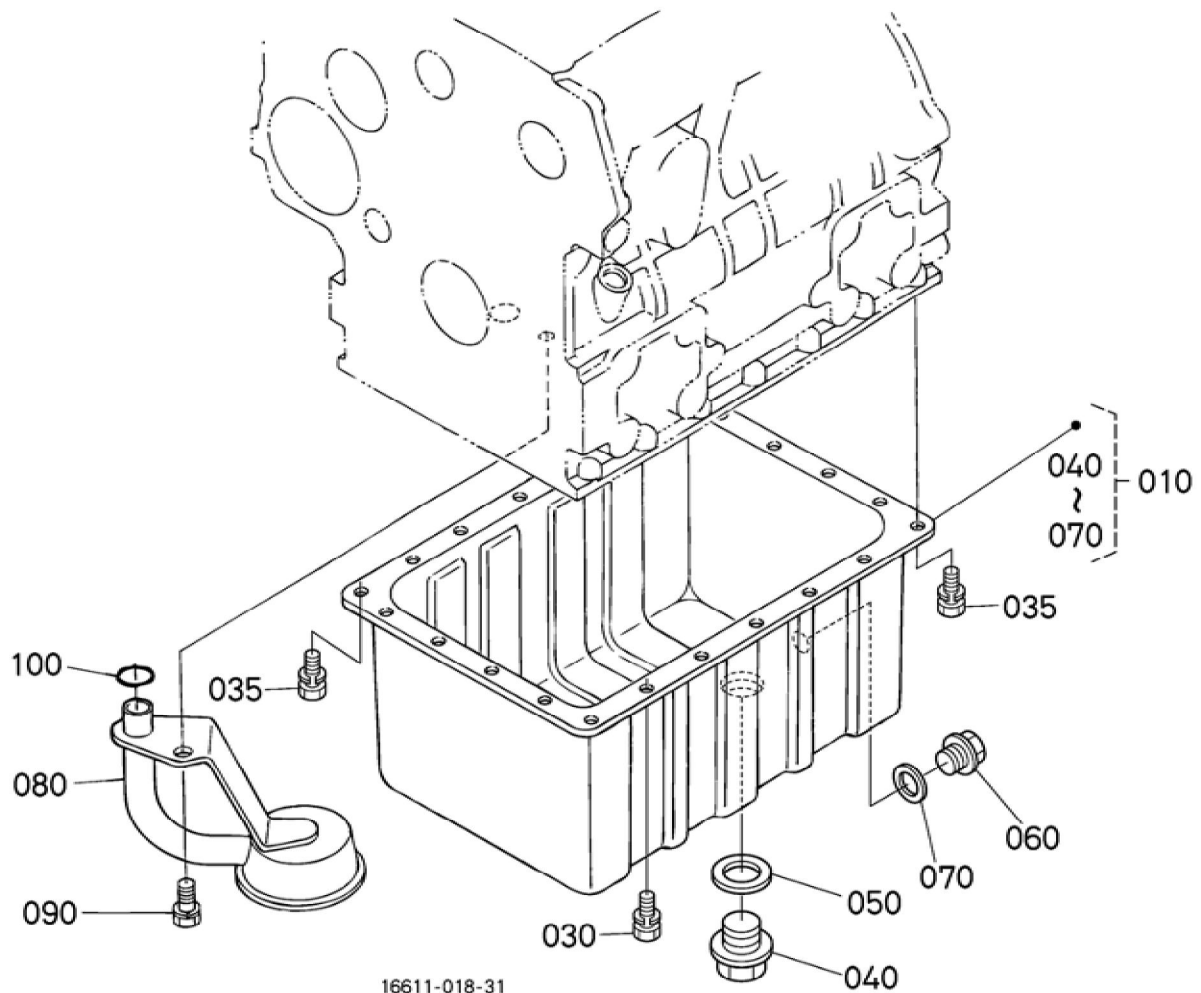
Update Date : 2019/12/12 Print Date : 2022/03/13

No.	Part Number	Part Name (POL)	Part Name (ENG)	QTY	IC	Serial No./PIN	Kg	Remarks
010	1G905-01013	KOMP.KURBELGEHAEUSE	COMP.CRANKCASE	1		<=8XZ999	39.000	
010	1G905-01014	KOMP.KURBELGEHAEUSE	COMP.CRANKCASE	1	>>	>=8Y0001	0.000	
010	1G694-01012	KOMP.KURBELGEHAEUSE	COMP.CRANKCASE	1	NI	>=9G0001	31.000	
010	1G870-01010	KOMP.KURBELGEHAEUSE	COMP.CRANKCASE	1	>>	>=9J0001	0.000	
010	1G694-01012	KOMP.KURBELGEHAEUSE	COMP.CRANKCASE	1	NI	>=9W0001	31.000	
020	15451-96270	KAPPE	CAP,SEALING	4			0.010	
030	15221-03490	STOPFEN	CAP,SEALING	1			0.020	
040	15261-96010	STOPFEN	PLUG	3			0.002	
050	16683-96020	STOPFEN	PLUG	1			0.088	
060	16241-96010	STOPFEN	PLUG	3			0.007	
070	15521-96020	STOPFEN	PLUG	2			0.003	
080	17391-96160	STOPFEN	PLUG,EXPANSION	3			0.003	
090	16271-96160	STOPFEN	PLUG,EXPANSION	1			0.025	
100	05012-00508	ZYLINDERSTIFT	PIN,STRAIGHT	2			0.001	
110	05012-00814	ZYLINDERSTIFT	PIN,STRAIGHT	2			0.006	
120	05012-00610	ZYLINDERSTIFT	PIN,STRAIGHT	2			0.003	
130	15231-33960	ROHRSTIFT	PIN,PIPE	2			0.001	
140	16241-33650	ROHRSTIFT	PIN,PIPE	1			0.002	
150	16241-96262	STOPFEN	PLUG,FUEL CAMSHAFT	1			0.007	
160	16261-56280	STARTFEDERSTIFT	PIN(START SPRING)	1			0.004	
170	16241-24060	KOMP.FREILAUFWELLE	COMP SHAFT,IDLE	1		<=9FZ999	0.200	
170	16282-96010	STOPFEN	PLUG	1	NI	>=9G0001	0.090	
180	16271-55350	BUCHSE	BUSHING (GEAR,GOVERNOR)	1			0.060	

BKIDK5234 >> RT140 >> ENGINE / ENGINE >> 000100 KURBELGEHAEUSE / CRANKCASE

Update Date : 2019/12/12 Print Date : 2022/03/13

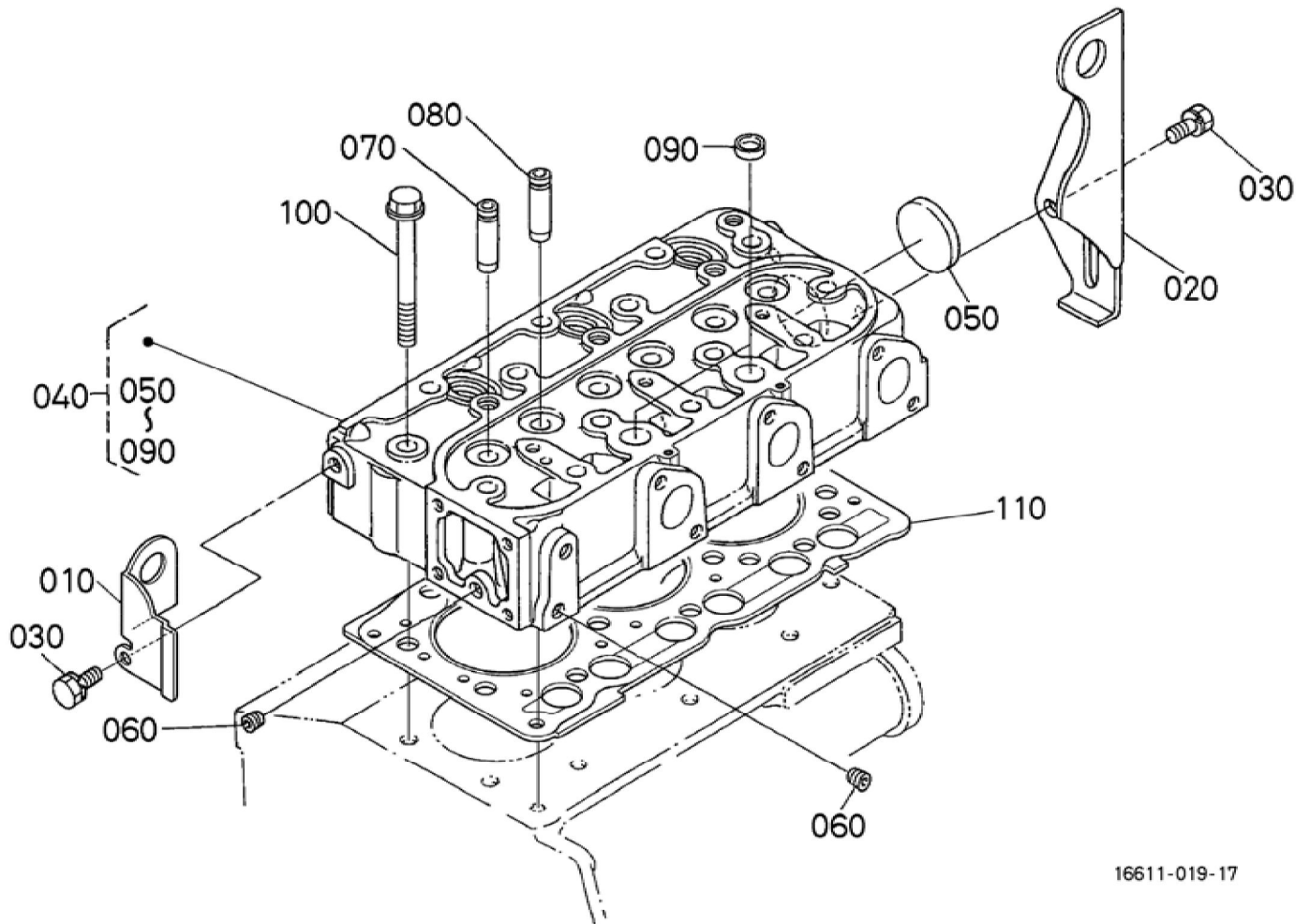
No.	Part Number	Part Name (POL)	Part Name (ENG)	QTY	IC	Serial No./PIN	Kg	Remarks
190	15221-33610	STOPFEN	PLUG	1		<=9VZ999	0.009	
190	1G896-33610	BOLZEN	PLUG	1	NI	>=9W0001	0.008	
200	15021-33660	DICHTUNGSP LATTE	PACKING	1			0.001	
220	15841-73020	GRP.ABLASS HAHN	COCK,ASSY (DRAIN)	1		<=AHZ999	0.030	
220	16871-73020	GRP.ABLASS HAHN	COCK,ASSY (DRAIN)	1	>>	>=AJ0001	0.034	



BKIDK5234 >> RT140 >> ENGINE / ENGINE >> 000200 OELWANNE / OIL PAN

Update Date : 2019/12/12 Print Date : 2022/03/13

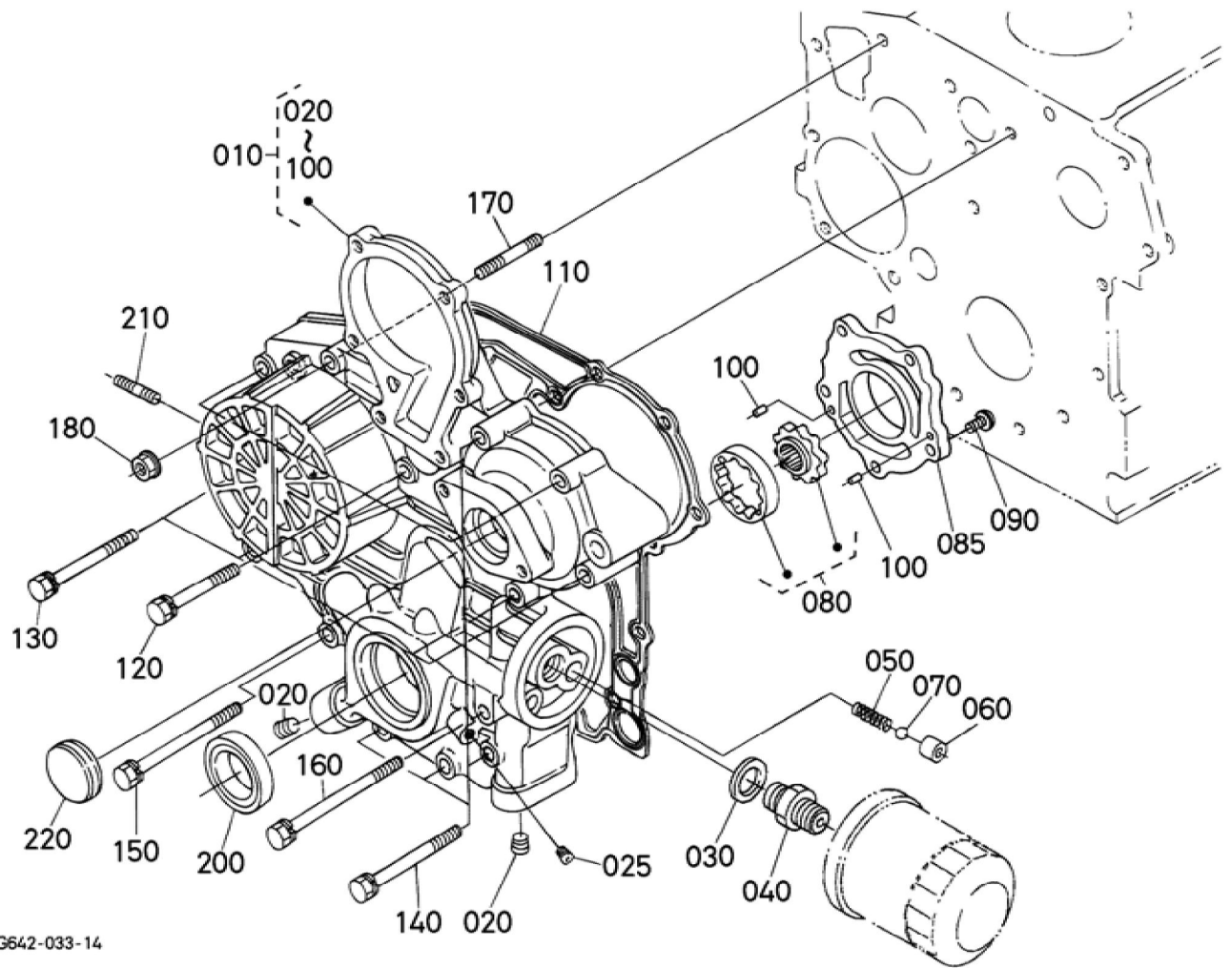
No.	Part Number	Part Name (POL)	Part Name (ENG)	QTY	IC	Serial No./PIN	Kg	Remarks
010	16613-01605	GRP.OELWANNE	KIT OIL PAN	1			1.700	
030	16221-91122	BOLZEN	BOLT,SEMS	22			0.005	ORDER BY REF.No.030 NEW PART.
030	01023-50614	BOLZEN	BOLT,SEMS	20		>=8A0001	0.005	
035	01023-50614	BOLZEN	BOLT,SEMS	2		>=8A0001	0.005	
040	15707-33750	ENTLEERUNGSSTOPFEN	PLUG(DRAIN)	1			0.095	
050	16265-96670	DICHTUNG	PACKING	1			0.010	
060	13901-33750	ENTLEERUNGSSTOPFEN	PLUG,DRAIN	1			0.025	
070	6C090-58960	DICHTUNGSPLATTE	GASKET	1			0.005	
080	16226-32114	OELFILTER	FILTER,OIL	1			0.280	
090	01123-50816	SCHRAUBE	BOLT,SEMS	1			0.011	
100	04814-00160	O RING	O RING	1			0.001	



BKIDK5234 >> RT140 >> ENGINE / ENGINE >> 000300 ZYLINDERKOPF / CYLINDER HEAD

Update Date : 2019/12/12 Print Date : 2022/03/13

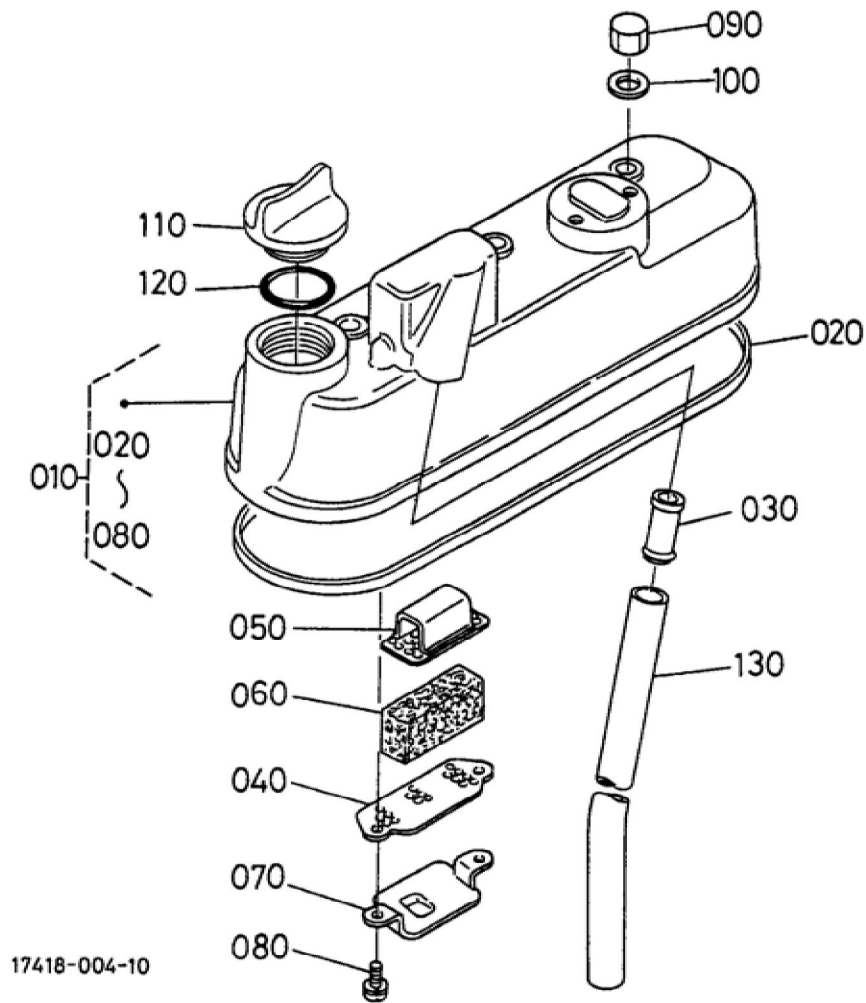
No.	Part Number	Part Name (POL)	Part Name (ENG)	QTY	IC	Serial No./PIN	Kg	Remarks
010	16241-01750	HAKEN	HOOK,ENGINE	1		<=7VZ999	0.080	
010	16241-01753	HAKEN	HOOK,ENGINE	1	>>	>=7W0001	0.140	
020	16241-01770	MOTORHAKEN	HOOK,ENGINE	1			0.175	
030	01123-50814	BOLZEN	BOLT,SEMS	2			0.010	
040	1G053-03043	KOMP.ZYLINDERKOPF	COMP.CYLINDER HEAD	1		<=7RZ999	9.734	
040	1G053-03044	KOMP.ZYLINDERKOPF	COMP.CYLINDER HEAD	1	>>	>=7S0001	9.734	
050	15321-96260	KAPPE	CAP,SEALING	1			0.014	
060	15261-96010	STOPFEN	PLUG	2			0.002	
070	16261-13540	EINLASSVENTILFUEHRUNG	GUIDE,INLET VALVE	3			0.020	
080	16261-13560	AUSLASSVENTILFUEHRUNG	GUIDE,EXHAUST VALVE	3			0.019	
090	15261-03370	STOEPSSEL,ABDICHTUNG	CAP,SEALING	2			0.005	
100	16241-03450	ZYLINDERKOPFSCHRAUBE	BOLT,HEAD (CYLINDER)	14			0.050	
110	1G063-03310	ZYLINDERKOPFDICHTUNG	GASKET (HEAD,CYL)	1			0.160	



BKIDK5234 >> RT140 >> ENGINE / ENGINE >> 000400 GETRIEBEGEHAEUSE / GEAR CASE

Update Date : 2019/12/12 Print Date : 2022/03/13

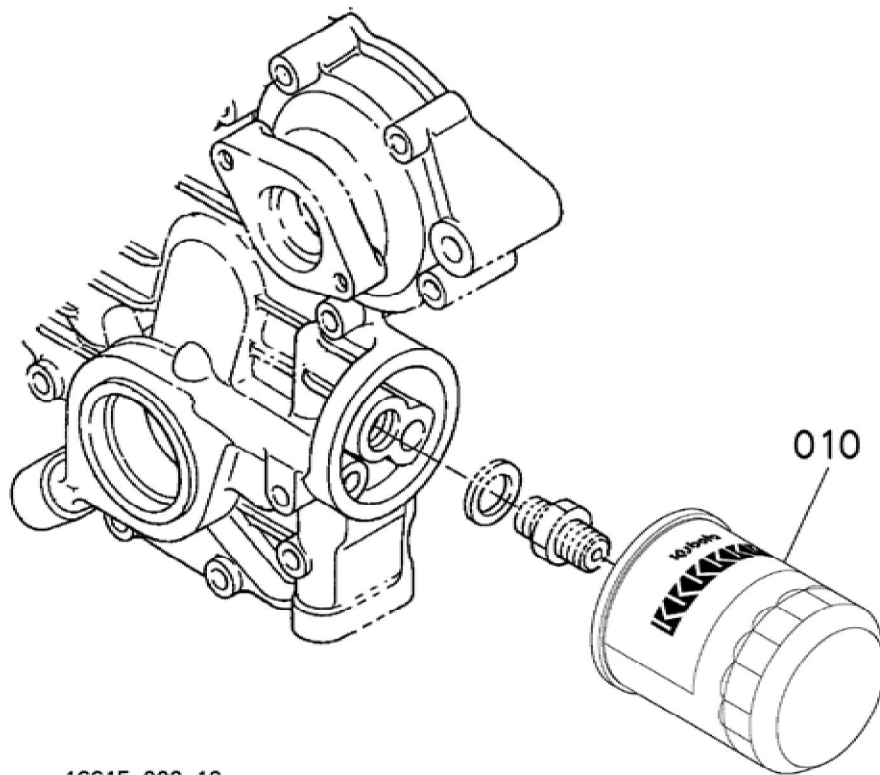
No.	Part Number	Part Name (POL)	Part Name (ENG)	QTY	IC	Serial No./PIN	Kg	Remarks
010	16252-04022	KMP.GETRIEBEGEHAEUSE	CASE,GEAR,COMP	1			2.460	
020	16241-96020	STOPFEN	PLUG	2			0.015	
025	15521-96020	STOPFEN	PLUG	1			0.003	
030	04011-50180	SCHEIBE	WASHER,PLAIN	1			0.012	
040	15241-32290	VERBINDUNGSSTUECK	JOINT,PIPE	1			0.053	
050	16241-36950	FEDER	SPRING	1			0.015	
060	16241-36930	SITZ,VENTIL	SEAT,VALVE	1			0.032	
070	07715-00201	KUGEL	BALL	1			0.008	
080	16241-35070	ROTOR KOMP.	ASSY ROTOR,OIL PUMP	1			0.270	
085	16251-35130	DECKEL, OELPUMPE	COVER,OIL PUMP	1			0.090	
090	03017-50620	SCHRAUBE	SCREW,BINDING(PHILLIPS)	5			0.005	
100	05012-00410	ZYLINDERSTIFT	PIN,STRAIGHT	2			0.001	
110	16264-04132	DICHTUNG	GASKET,GEAR CASE	1			0.010	
120	01023-50645	BOLZEN	BOLT,SEMS	3			0.010	
130	01023-50650	BOLZEN	BOLT,SEMS	4			0.012	
140	01023-50655	BOLZEN	BOLT,SEMS	4			0.012	
150	01023-50665	BOLZEN	BOLT,SEMS	1			0.015	
160	16241-91040	BOLZEN	BOLT	1			0.015	
170	16245-91530	STEBBOLZEN	STUD	1			0.010	
180	02056-50060	MUTTER	HEX,NUT	1		<=7VZ999	0.002	
180	02751-50060	MUTTER	NUT,FLANGE	1	NI	>=7W0001	0.005	
200	16241-04212	OELDICHTUNGSRING	SEAL,OIL	1			0.012	
210	16245-91540	STEBBOLZEN	STUD	2			0.005	
220	16264-83342	DECKEL, GETRIEBEGEHAEUSE	COVER,GEAR CASE	1			0.010	



BKIDK5234 >> RT140 >> ENGINE / ENGINE >> 000500 ZYLINDERKOPF-DECKEL / HEAD COVER

Update Date : 2019/12/12 Print Date : 2022/03/13

No.	Part Number	Part Name (POL)	Part Name (ENG)	QTY	IC	Serial No./PIN	Kg	Remarks
010	16261-14503	VENTILDECK EL	COVER,HEAD ,ASSY (CYLINDER)	1			0.780	
020	16261-14520	VENTILDECK ELDICHTUNG	GASKET,HEA D COVER	1			0.010	
030	16241-05550	VERBINDUNG	JOINT,BREAT HER PIPE	1			0.020	
040	16241-05140	PLATTE,ELE MENT	PLATE,B/THE R ELEMENT	1			0.005	
050	16241-05150	PLATTE,ELE MENT	PLATE,B/THE R ELEMENT	1			0.010	
060	16241-05670	ENTLUEFTUN GSELEMENT	ELEMENT (BREATHHER)	1			0.010	
070	16241-05370	OELSCHILD,E NTLUEFTER	OIL SHIELD,BREA THER	1			0.010	
080	03024-50510	SCHRAUBE	SCREW,SEM S(PAN HEAD)	2			0.002	
090	15952-92330	MUTTER	NUT,CAP	3			0.010	
100	15951-96660	DICHTUNGSP LATTE	PACKING	3			0.001	
110	E9151-33140	OELEINFUEL LSTOPFEN	PLUG(OIL FILLER)	1			0.017	
120	04814-50300	O RING	O RING	1			0.001	
130	16241-05510	ENTLUEFTUN GSROHR	PIPE,BREATH ER	1			0.060	



16615-003-13



Download the full PDF manual instantly.

Our customer service e-mail:

aservicemanualpdf@yahoo.com