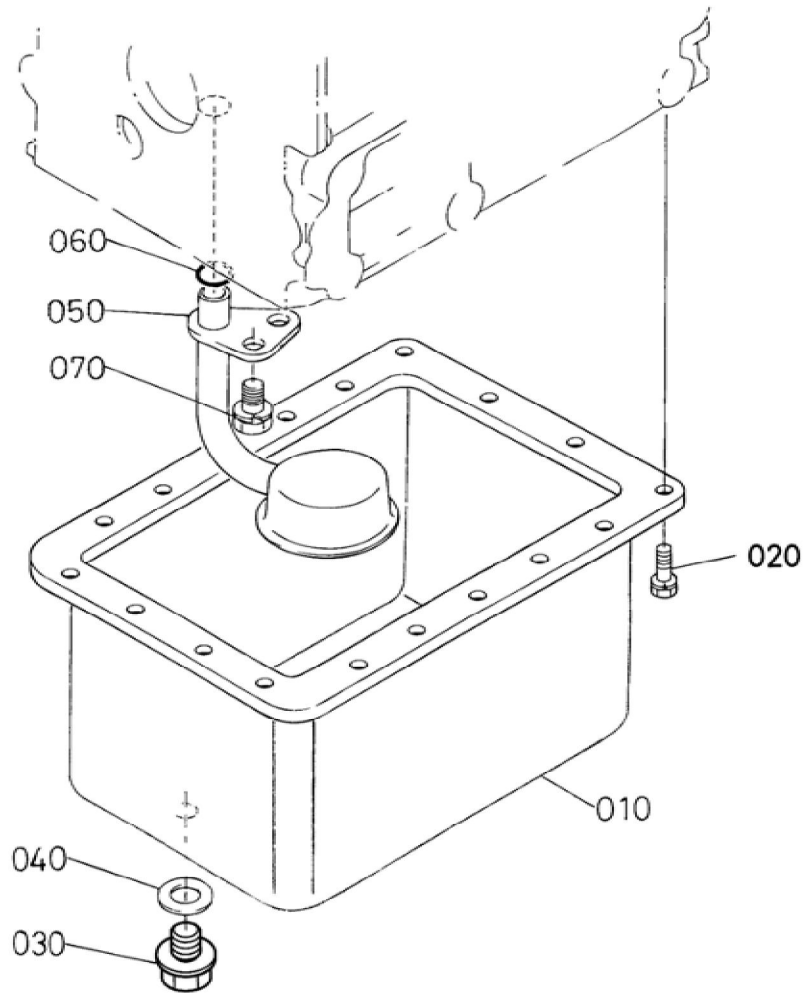


## BKIDK5233 &gt;&gt; RT100 &gt;&gt; ENGINE / ENGINE &gt;&gt; 000100 KURBELGEHAEUSE / CRANKCASE

Update Date : 2020/04/27 Print Date : 2022/03/13

No.	Part Number	Part Name (POL)	Part Name (ENG)	QTY	IC	Serial No./PIN	Kg	Remarks
010	16873-01010	KOMP.KURBELGEHAEUSE	COMP.CRANKCASE	1		<=3S8996	21.900	
010	16873-01014	KOMP.KURBELGEHAEUSE	COMP.CRANKCASE	1	>>	>=3U0001	21.900	
010	16873-01015	KOMP.KURBELGEHAEUSE	COMP.CRANKCASE	1	>>	>=4A0001	21.900	
010	16873-01016	KOMP.KURBELGEHAEUSE	COMP.CRANKCASE	1	>>	>=4Q0001	21.900	
010	16873-01018	KOMP.KURBELGEHAEUSE	COMP.CRANKCASE	1	>>	>=5L0190	21.900	
010	16873-01020	KOMP.KURBELGEHAEUSE	ASSY CRANKCASE	1	>>	>=6Q0308	20.000	ORDER BY REF.No.010 and 120 NEW PARTS.
010	16873-01022	KOMP.KURBELGEHAEUSE	COMP.CRANKCASE	1	NI	>=9C0001	20.000	
020	16851-96260	KAPPE	CAP,SEALING	3			0.005	
030	16851-96270	KAPPE	CAP,SEALING	5			0.005	
040	15451-96270	KAPPE	CAP,SEALING	2			0.010	
050	15261-96010	STOPFEN	PLUG	5			0.002	
060	15521-96020	STOPFEN	PLUG	3			0.003	
070	15521-96030	STOPFEN	PLUG	1			0.007	
080	15261-96160	STOPFEN	PLUG,EXPANSION	1			0.020	
090	05012-00508	ZYLINDERSTIFT	PIN,STRAIGHT	2			0.001	
100	05012-00814	ZYLINDERSTIFT	PIN,STRAIGHT	2			0.006	
110	15221-33650	ROHRSTIFT	PIN,PIPE	1			0.004	
120	15231-33960	ROHRSTIFT	PIN,PIPE	2			0.001	
130	17331-59190	ROHRSTIFT	PIN,PIPE	2		<=9BZ999	0.002	
130	15231-33960	ROHRSTIFT	PIN,PIPE	2	NI	>=9C0001	0.001	
140	16851-16212	DECKEL	COVER,FUELCAMSHAFT	1			0.030	
160	15841-73020	GRP.ABLASSHAHN	COCK,ASSY (DRAIN)	1		<=9VZ999	0.030	
160	16871-73020	GRP.ABLASSHAHN	COCK,ASSY (DRAIN)	1	NI	>=9W0001	0.034	

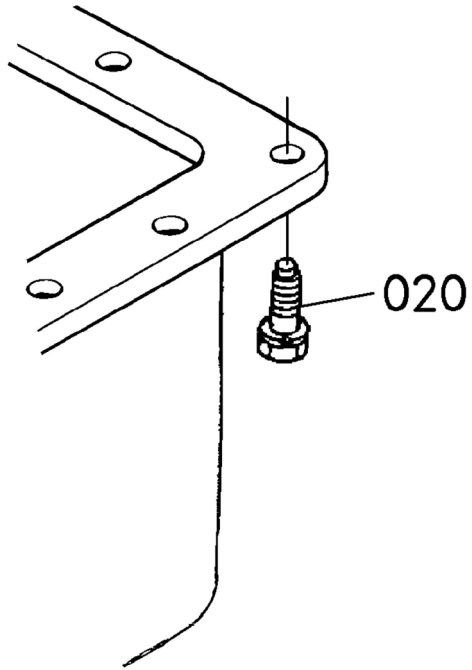


## BKIDK5233 &gt;&gt; RT100 &gt;&gt; ENGINE / ENGINE &gt;&gt; 000200 OELWANNE / OIL PAN

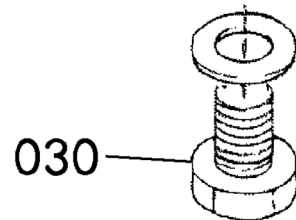
Update Date : 2020/04/27 Print Date : 2022/03/13

No.	Part Number	Part Name (POL)	Part Name (ENG)	QTY	IC	Serial No./PIN	Kg	Remarks
010	15862-01500	KOMP.OELWANNE	PAN,OIL,COMP	1			1.110	
020	16221-91122	BOLZEN	BOLT,SEMS	18		<=8ZZ999	0.005	ORDER BY REF.No.020 NEW PART.
020	01023-50614	BOLZEN	BOLT,SEMS	18	>>	>=9A0001	0.005	
030	15221-33750	STOPFEN	PLUG	1		<=4K2137	0.032	
030	16326-33751	ENTLEERUNGSSTOPFEN	PLUG(DRAIN)	1	=	>=4L0001	0.000	
030	13901-33750	ENTLEERUNGSSTOPFEN	PLUG,DRAIN	1	>>	>=6Q0308	0.025	
040	6C090-58960	DICHTUNGSPLATTE	GASKET	1			0.005	
050	16851-32110	OELFILTER	FILTER,OIL	1			0.110	
060	04814-00160	O RING	O RING	1			0.001	
070	01123-50814	BOLZEN	BOLT,SEMS	1			0.010	

### 020 16221-9112-2



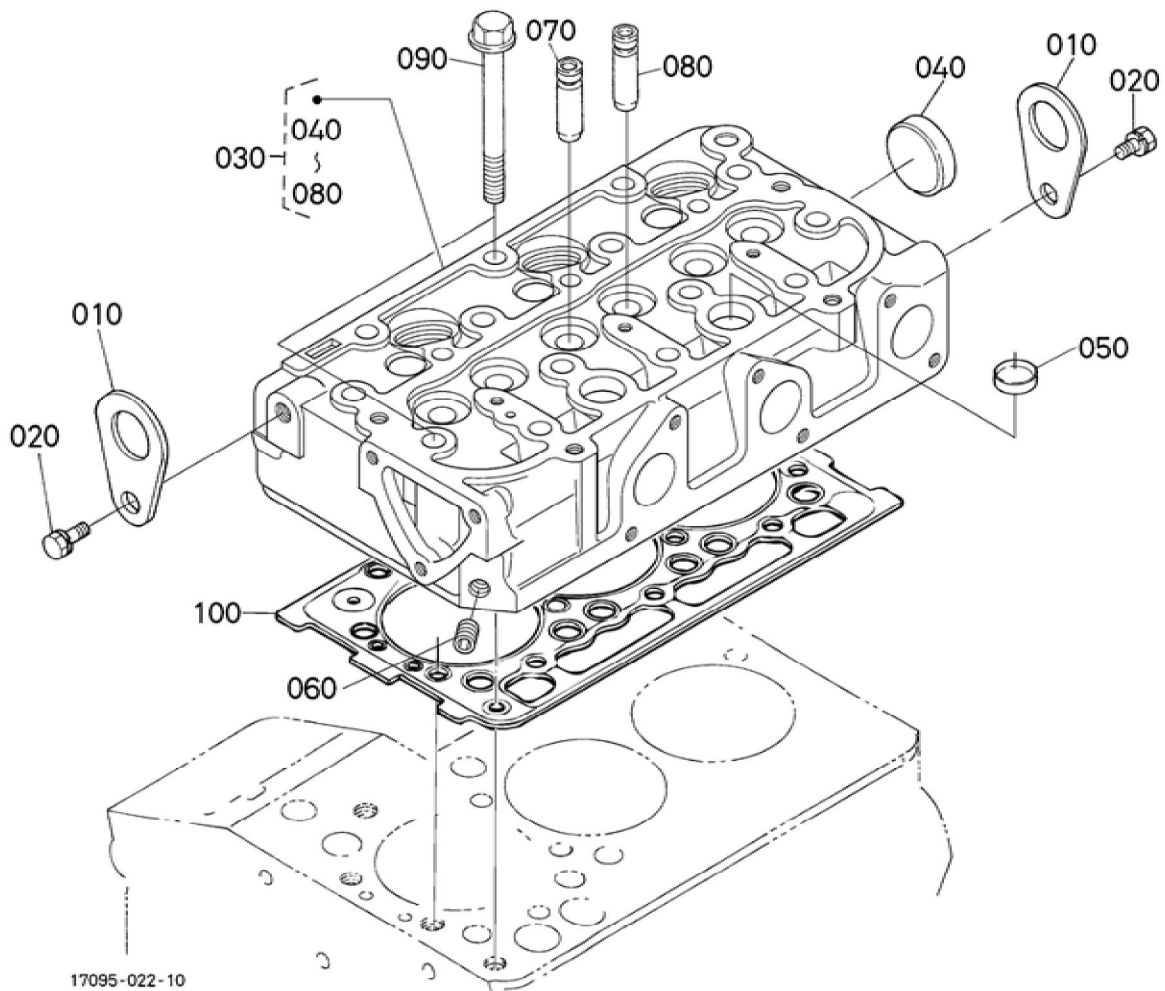
### 030 15221-3375-0



## BKIDK5233 &gt;&gt; RT100 &gt;&gt; ENGINE / ENGINE &gt;&gt; 000200 OELWANNE / OIL PAN

Update Date : 2020/04/27 Print Date : 2022/03/13

No.	Part Number	Part Name (POL)	Part Name (ENG)	QTY	IC	Serial No./PIN	Kg	Remarks
020	16221-91122	BOLZEN	BOLT,SEMS	18		<=8ZZ999	0.005	ORDER BY REF.No.020 NEW PART.
020	01023-50614	BOLZEN	BOLT,SEMS	18	>>	>=9A0001	0.005	
030	15221-33750	STOPFEN	PLUG	1		<=4K2137	0.032	
030	16326-33751	ENTLEERUNGSSTOPFEN	PLUG(DRAIN)	1	=	>=4L0001	0.000	
030	13901-33750	ENTLEERUNGSSTOPFEN	PLUG,DRAIN	1	>>	>=6Q0308	0.025	



## BKIDK5233 &gt;&gt; RT100 &gt;&gt; ENGINE / ENGINE &gt;&gt; 000300 ZYLINDERKOPF / CYLINDER HEAD

Update Date : 2020/04/27 Print Date : 2022/03/13

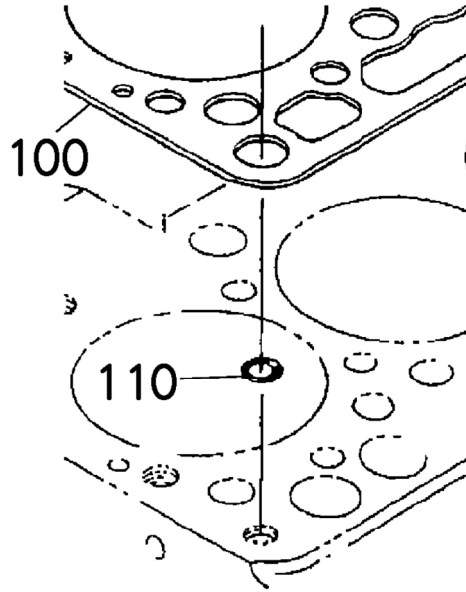
No.	Part Number	Part Name (POL)	Part Name (ENG)	QTY	IC	Serial No./PIN	Kg	Remarks
010	15221-01750	MOTORHAKEN	HOOK,ENGINE	2			0.040	
020	01123-50816	SCHRAUBE	BOLT,SEMS	2			0.011	
030	17575-03042	KOMP.ZYLINDERKOPF	HEAD,CYLINDER	1		<=6P7424	7.300	
030	16689-03042	KOMP.ZYLINDERKOPF	COMP.CYLINDER HEAD	1	>>	>=6Q0308	7.370	
030	16689-03049	KOMP.ZYLINDERKOPF	HEAD,CYLINDER	1	>>	>=9G0001	7.000	
040	15321-96260	KAPPE	CAP,SEALING	1			0.014	
050	15261-03370	STOEPSEL,ABDICHTUNG	CAP,SEALING	2			0.005	
060	15261-96010	STOPFEN	PLUG	1			0.002	
070	15841-13540	EINLASSVENTILFUEHRUNG	GUIDE,VALVE (INLET)	3			0.014	
080	15841-13560	AUSLASSVENTILFUEHRUNG	GUIDE (EXHAUST VALVE)	3			0.014	
090	14601-03450	ZYLINDERKOPFSCHRAUBE	BOLT,HEAD (CYLINDER)	14			0.035	
100	16871-03310	ZYLINDERKOPFDICHTUNG	GASKET (HEAD,CYL)	1		<=5T4330	0.083	
100	16871-03312	ZYLINDERKOPFDICHTUNG	GASKET (HEAD,CYL)	1	NI	>=5U0507	0.083	
100	16871-03313	ZYLINDERKOPFDICHTUNG	GASKET (HEAD,CYL)	1	>>	>=8A0001	0.083	



Update Date : 2020/04/27 Print Date : 2022/03/13

100 16871-0331-0

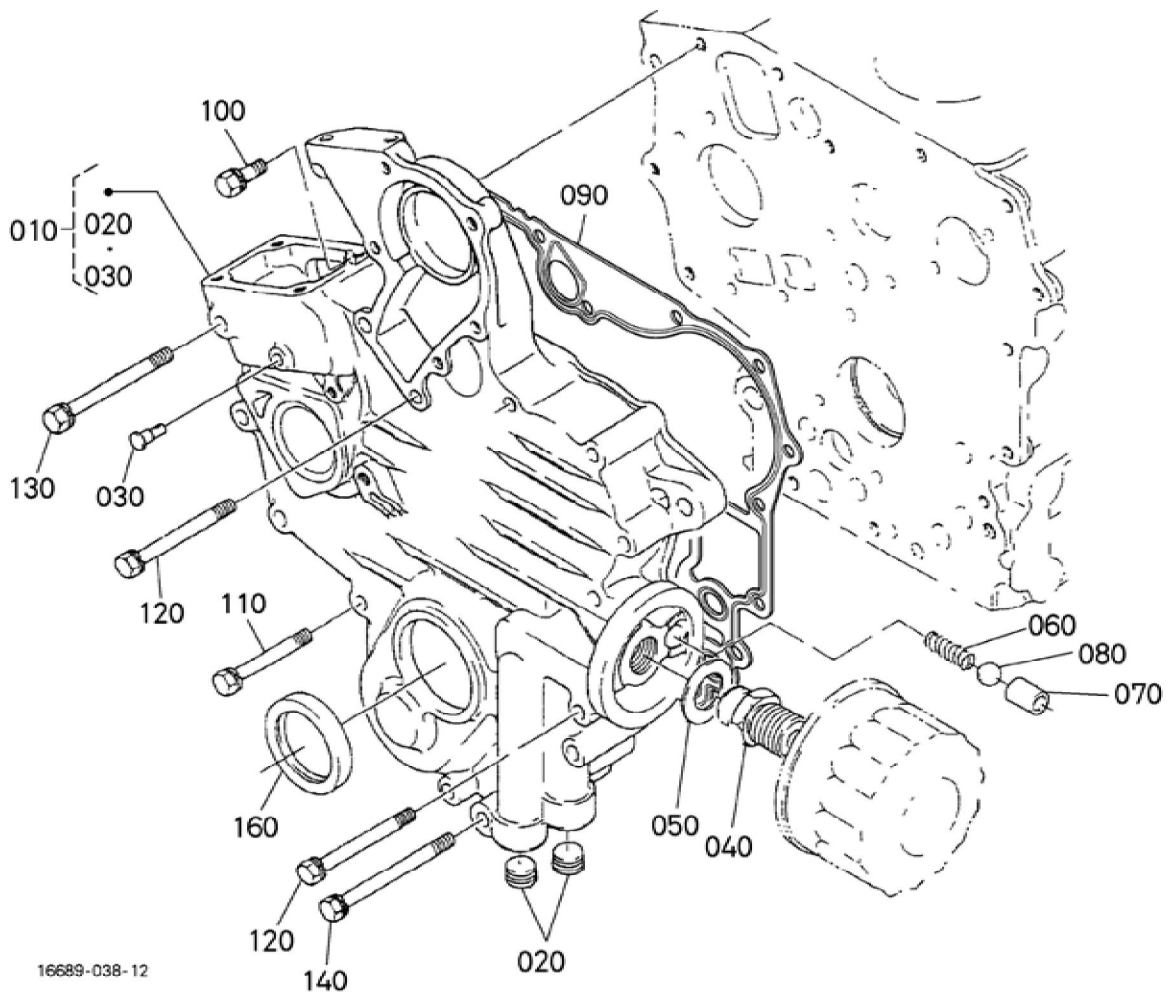
110 15221-3370-0



## BKIDK5233 &gt;&gt; RT100 &gt;&gt; ENGINE / ENGINE &gt;&gt; 000300 ZYLINDERKOPF / CYLINDER HEAD

Update Date : 2020/04/27 Print Date : 2022/03/13

No.	Part Number	Part Name (POL)	Part Name (ENG)	QTY	IC	Serial No./PIN	Kg	Remarks
100	16871-03310	ZYLINDERKO PFDICHTUNG	GASKET (HEAD,CYL)	1		<=5T4330	0.083	
100	16871-03312	ZYLINDERKO PFDICHTUNG	GASKET (HEAD,CYL)	1	NI	>=5U0507	0.083	
100	16871-03313	ZYLINDERKO PFDICHTUNG	GASKET (HEAD,CYL)	1	>>	>=8A0001	0.083	
110	15221-33700	O RING	O RING	1		<=5T4330	0.001	



16689-038-12



**Download the full PDF manual instantly.**

**Our customer service e-mail:**

**[aservicemanualpdf@yahoo.com](mailto:aservicemanualpdf@yahoo.com)**