

16497-001-11

BKIDK0414 >> R520 >> MOTOR / ENGINE >> S02700 KURBELGHAEUSE / CRANKCASE

Update Date : 17-01-2019 Print Date : 03-04-2022

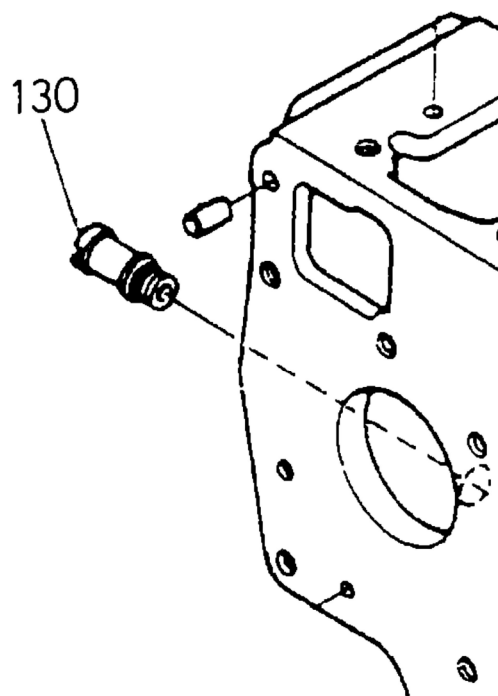
No.	Part Number	Part Name (POL)	Part Name (ENG)	QTY	IC	Serial No./PIN	Kg	Remarks
010	16423-01012	KOMP.KURBELGEHAEUSE	COMP.CRANKCASE	1		<=114334	54.500	
010	16497-01010	KOMP.KURBELGEHAEUSE	COMP.CRANKCASE	1	>>	=>114335	62.000	
010	16497-01012	KOMP.KURBELGEHAEUSE	COMP.CRANKCASE	1	=		62.000	
020	15521-96020	STOPFEN	PLUG	6			0.003	
030	15521-96030	STOPFEN	PLUG	2			0.007	
040	17391-96160	STOPFEN	PLUG EXPANSION	3			0.003	
050	06311-75045	STOPFEN	PLUG EXPANSION	1			0.026	
060	15221-03380	STOPFEN	CAP SEALING	6			0.017	
070	15221-03390	STOPFEN	CAP SEALING	2			0.030	
080	05012-00408	ZYLINDERSTIFT	PIN STRAIGHT	2			0.001	
090	05012-00609	ZYLINDERSTIFT	PIN STRAIGHT	2			0.003	
100	05012-00612	ZYLINDERSTIFT	PIN STRAIGHT	2			0.003	
110	05012-01018	ZYLINDERSTIFT	PIN STRAIGHT	1			0.012	
120	15221-33650	ROHRSTIFT	PIN PIPE	1			0.004	
130	15321-73340	WASSERROHR	PIPE WATER RETURN	1		<=114334	0.016	
130	15291-73160	ABLASSPROPFEN	JOINT DRAIN COCK	1	NI	=>114335	0.040	
135	R1401-42860	ABLASSHAHN	COCK DRAIN	1		=>114335	0.083	
140	15221-33610	STOPFEN	PLUG	1			0.009	
150	15021-33660	DICHTUNGSPLATTE	GASKET	1			0.001	
160	15221-33700	O RING	O RING	1			0.001	
170	15471-35010	GRP.OELPUMPE	ASSY PUMP OIL	1			0.000	
170	15471-35012	GRP.OELPUMPE	ASSY PUMP OIL	1	=		0.550	

BKIDK0414 >> R520 >> MOTOR / ENGINE >> S02700 KURBELGHAEUSE / CRANKCASE

Update Date : 17-01-2019 Print Date : 03-04-2022

No.	Part Number	Part Name (POL)	Part Name (ENG)	QTY	IC	Serial No./PIN	Kg	Remarks
180	1A021-35150	DICHTUNGSP LATTE	GASKET OIL PUMP	1			0.001	
180	1A021-35150	DICHTUNGSP LATTE	GASKET OIL PUMP	1	=		0.001	
190	01053-50650	BOLZEN	BOLT	4			0.011	
200	04512-60060	FEDERRING	WASHER SPRING	4			0.001	
210	19202-35660	ZAHNRAD	GEAR OIL PUMP DRIVE	1			0.230	
220	05712-00410	KEIL	KEY FEATHER	1			0.001	
230	15221-35682	MUTTER	NUT FLANGE	1			0.014	
240	15841-39010	OELDRUCKS CHALTER	SWITCH OIL	1			0.030	
250	15221-88210	STEBOLZEN	STUD	2			0.005	

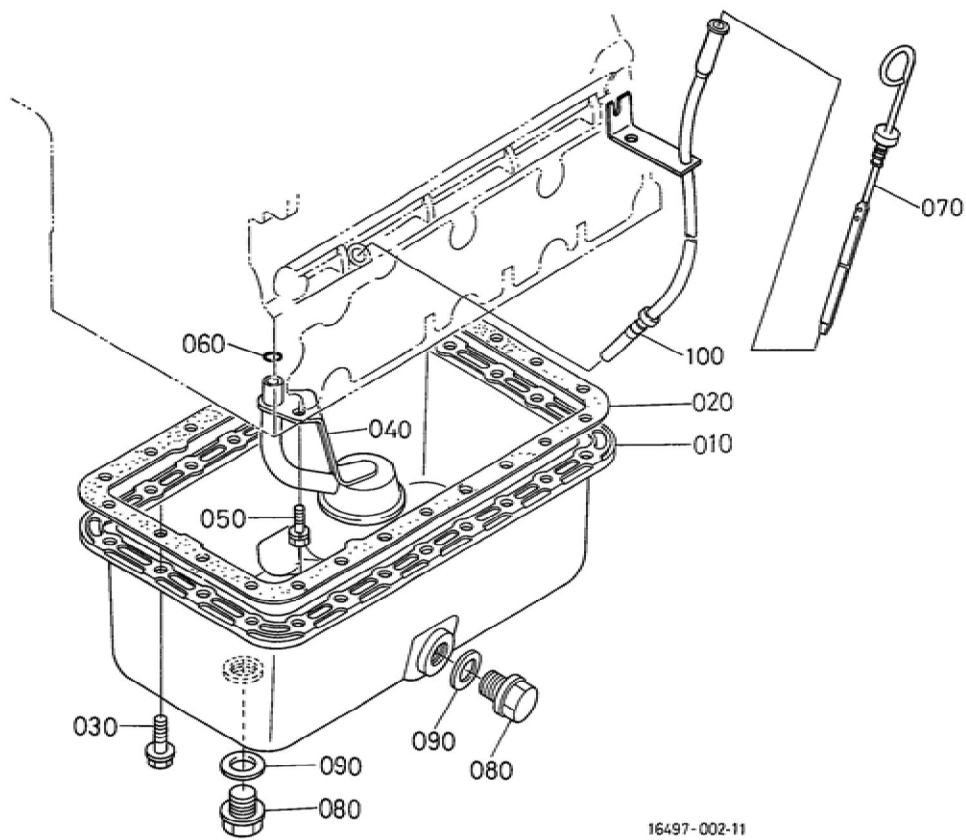
130 15321-7334-0



BKIDK0414 >> R520 >> MOTOR / ENGINE >> S02700 KURBELGHAEUSE / CRANKCASE

Update Date : 17-01-2019 Print Date : 03-04-2022

No.	Part Number	Part Name (POL)	Part Name (ENG)	QTY	IC	Serial No./PIN	Kg	Remarks
130	15321-73340	WASSERROH R	PIPE WATER RETURN	1		<=114334	0.016	
130	15291-73160	ABLASSPRO PFEN	JOINT DRAIN COCK	1	NI	=>114335	0.040	



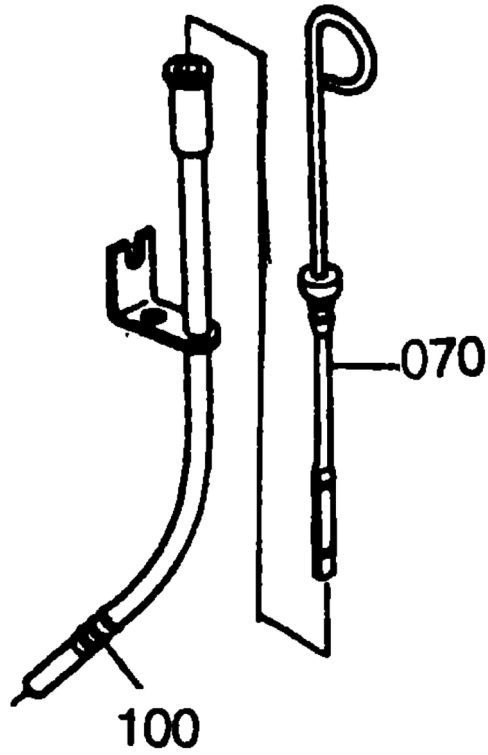
BKIDK0414 >> R520 >> MOTOR / ENGINE >> S02800 OELWANNE / OIL PAN

Update Date : 17-01-2019 Print Date : 03-04-2022

No.	Part Number	Part Name (POL)	Part Name (ENG)	QTY	IC	Serial No./PIN	Kg	Remarks
010	19077-01500	KOMP.OELW ANNE	COMP.OIL PAN	1			2.650	
020	19228-01620	DICHTUNG	GASKET OIL PAN	1			0.070	
030	17333-91010	SCHRAUBE	BOLT FLANGE	24			0.030	
040	16413-32110	OELFILTER	FILTER OIL	1			0.240	
050	01123-60814	BOLZEN	BOLT	1			0.010	
060	04814-00160	O RING	O RING	1			0.001	
070	16495-36410	OELMESSST AB	GAUGE OIL	1		<=140596	0.050	
070	R2401-36410	OELMESSST AB	GAUGE OIL	1	NI	=>140597	0.050	
080	15451-33750	ENTLEERUN GSSTOPFEN	PLUG DRAIN	2			0.000	
080	16541-33750	ENTLEERUN GSSTOPFEN	PLUG DRAIN	2	=		0.074	
090	15451-96670	DICHTUNG	GASKET	2			0.003	
100	17082-36420	FUEHRUNG, OELMESSST AB	GUIDE OIL GAUGE	1		<=140596	0.210	
100	R2401-36420	FUEHRUNG, OEL- MEBSTAB	GUIDE OIL GAUGE	1	NI	=>140597	0.210	

070 16495-3641-0

100 17082-3642-0

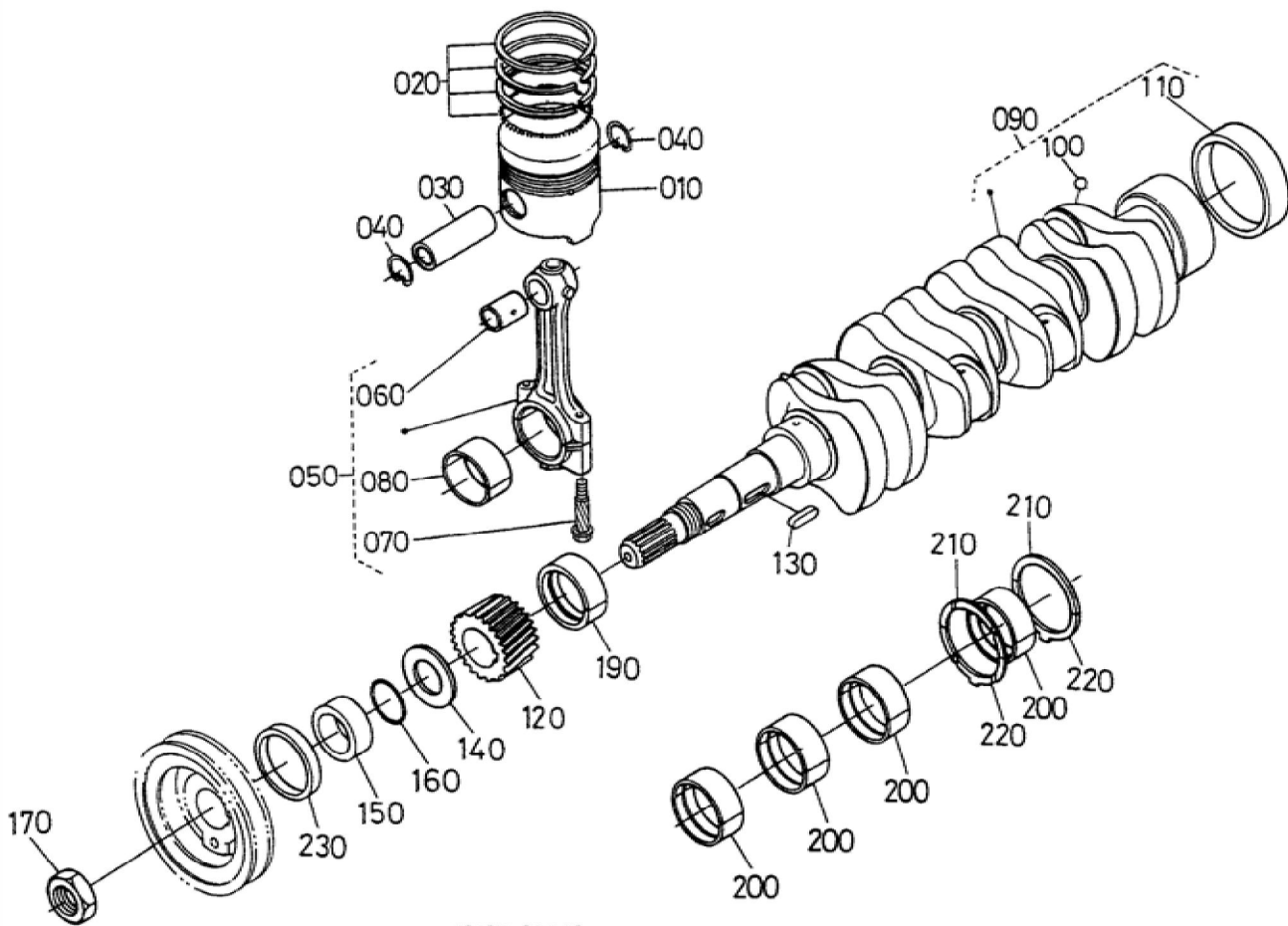


BKIDK0414 >> R520 >> MOTOR / ENGINE >> S02800 OELWANNE / OIL PAN

Update Date : 17-01-2019 Print Date : 03-04-2022

No.	Part Number	Part Name (POL)	Part Name (ENG)	QTY	IC	Serial No./PIN	Kg	Remarks
070	16495-36410	OELMESSST AB	GAUGE OIL	1		<=140596	0.050	
070	R2401-36410	OELMESSST AB	GAUGE OIL	1	NI	=>140597	0.050	
100	17082-36420	FUEHRUNG, OELMESSST AB	GUIDE OIL GAUGE	1		<=140596	0.210	
100	R2401-36420	FUEHRUNG, OEL- MEBSTAB	GUIDE OIL GAUGE	1	NI	=>140597	0.210	

Update Date : 17-01-2019 Print Date : 03-04-2022



16497-003-10

BKIDK0414 >> R520 >> MOTOR / ENGINE >> S02900 KOLBEN/KURBELWELLE / PISTON/CRANKSHAFT

Update Date : 17-01-2019 Print Date : 03-04-2022

No.	Part Number	Part Name (POL)	Part Name (ENG)	QTY	IC	Serial No./PIN	Kg	Remarks
010	16423-21110	KOLBEN	PISTON	4			0.580	STD
010	H1641-21100	KIT,PISTON	KIT,PISTON	4	=		0.580	STD
010	16423-21910	KOLBEN	PISTON	4			0.100	+0.5mm
020	17331-21050	GRP.KOLBEN RING	ASSY PISTON RING	4			0.065	STD
020	17331-21090	GRP.KOLBEN RING	ASSY PISTON RING	4			0.065	+0.5mm
030	14901-21310	KOLBENBOLZEN	PIN PISTON	4			0.170	
040	14109-21330	SPRENGRING	CIR CLIP INTERNAL	8			0.001	
050	17311-22010	PLEUELSTANGE KOMP.	ASSY CONNECTING ROD	4			0.885	
060	17331-21980	BUCHSE,KOLBENSTIFT	BUSH PISTON PIN	1			0.025	
070	15521-22142	BOLZEN	BOLT CONNECTING ROD	8			0.026	
080	17311-22310	LAGERSCHALE	METAL CRANKPIN	4			0.045	STD
080	17331-22970	LAGERSCHALE	METAL CRANKPIN	4			0.050	-0.2mm
080	17331-22980	LAGERSCHALE	METAL CRANKPIN	4			0.045	-0.4mm
090	17116-23010	KOMP.KURBELWELLE	COMP.CRANKSHAFT	1			0.000	
100	07715-00401	KUGEL	BALL	4			0.001	
110	19202-23280	BUCHSE,KURBELWELLE	BUSH CRANKSHAFT	1			0.090	
120	15471-24110	ZAHNRAD	GEAR CRANK	1			0.375	
130	05712-00720	KEIL	KEY FEATHER	1			0.008	
140	15471-23312	RING	SLINGER OIL	1			0.008	
150	19202-23250	HALSRING	COLLAR CRANKSHAFT	1			0.080	
160	19202-96760	O RING	O RING	1			0.001	
170	15221-23360	MUTTER,KURBELWELLE	NUT CRANKSHAFT	1			0.110	



Download the full PDF manual instantly.

Our customer service e-mail:

aservicemanualpdf@yahoo.com