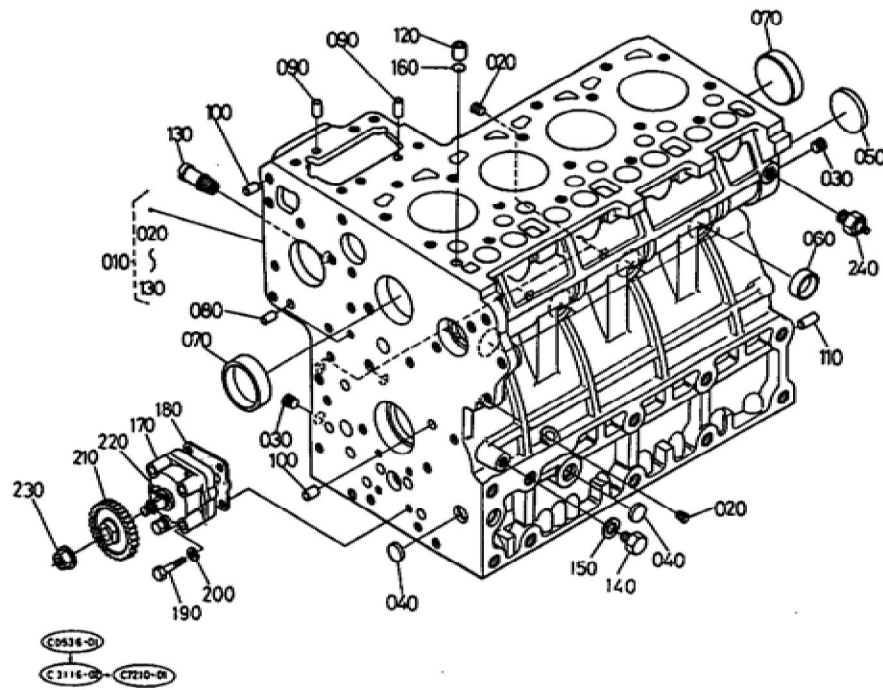


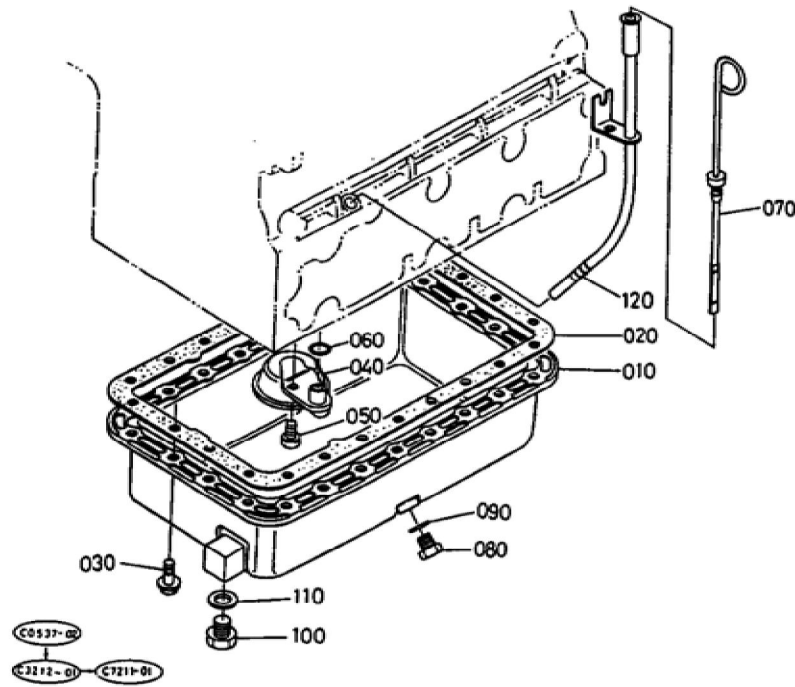
Update Date : 30-01-2016 Print Date : 02-04-2022



Update Date : 30-01-2016 Print Date : 02-04-2022

No.	Part Number	Part Name (POL)	Part Name (ENG)	QTY	IC	Serial No./PIN	Kg	Remarks
010	17115-01010	KOMP.KURBELGEHAEUSE	COMP.CRANKCASE	1			54.500	
020	15521-96020	STOPFEN	PLUG	6			0.003	
030	15521-96030	STOPFEN	PLUG	2			0.007	
040	06311-75018	STOPFEN	PLUG	3			0.004	
050	06311-75045	STOPFEN	PLUG	1			0.026	
060	15221-03380	STOPFEN	CAP SEALING	6			0.017	
070	15221-03390	STOPFEN	CAP SEALING	2			0.030	
080	05012-00408	ZYLINDERSTIFT	PIN STRAIGHT	2			0.001	
090	05012-00609	ZYLINDERSTIFT	PIN STRAIGHT	2			0.003	
100	05012-00612	ZYLINDERSTIFT	PIN STRAIGHT	2			0.003	
110	05012-01018	ZYLINDERSTIFT	PIN STRAIGHT	1			0.012	
120	15221-33650	ROHRSTIFT	PIN PIPE	1			0.004	
130	15321-73340	WASSERROHR	PIPE WATER RETURN	1			0.016	
140	15221-33610	STOPFEN	PLUG	1			0.009	
150	15021-33660	DICHTUNGSPLATTE	GASKET	1			0.001	
160	15221-33700	O RING	O RING	1			0.001	
170	15471-35010	GRP.OELPUMPE	ASSY PUMP OIL	1			0.000	
180	15296-35150	DICHTUNG,OELPUMPE	GASKET OIL PUMP	1			0.001	
190	01053-50650	BOLZEN	BOLT	4			0.011	
200	04512-50060	FEDERRING	WASHER SPRING	4			0.001	
210	19202-35660	ZAHNRAD	GEAR OIL PUMP DRIVE	1			0.230	
220	05712-00410	KEIL	KEY FEATHER	1			0.001	
230	15221-35682	MUTTER	NUT FLANGE	1			0.014	
240	15841-39010	OELDRUCKSCHALTER	SWITCH OIL	1			0.030	

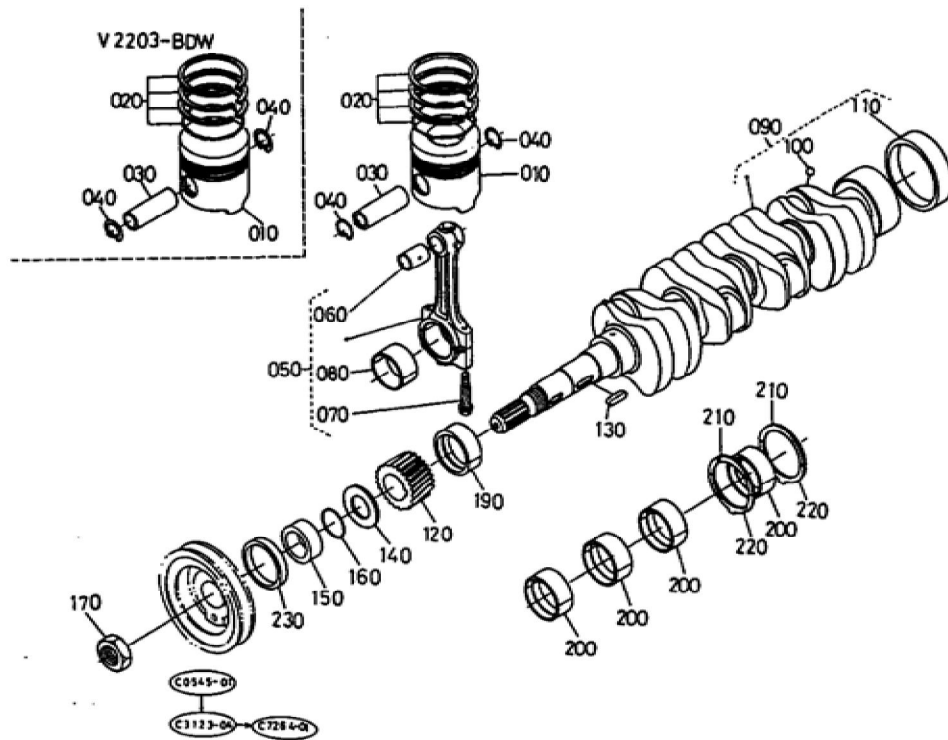
Update Date : 30-01-2016 Print Date : 02-04-2022



Update Date : 30-01-2016 Print Date : 02-04-2022

No.	Part Number	Part Name (POL)	Part Name (ENG)	QTY	IC	Serial No./PIN	Kg	Remarks
010	17118-01610	OELWANNE	OIL PAN	1			2.400	
020	19228-01620	DICHTUNG	GASKET OIL PAN	1			0.070	
030	17333-91010	SCHRAUBE	BOLT FLANGE	24			0.030	
040	15628-32110	OELFILTER	FILTER OIL	1			0.225	
050	01123-50814	BOLZEN	BOLT	1			0.010	
060	04814-00160	O RING	O RING	1			0.001	
070	17118-36410	OELMESSST AB	GAUGE OIL	1			0.055	
080	15221-33750	STOPFEN	PLUG	1			0.032	
090	15109-33660	DICHTUNGSP LATTE	GASKET	1			0.001	
100	06331-45016	STOPFEN	PLUG	1			0.050	
110	04724-00160	DICHTUNGSP LATTE	GASKET	1			0.003	
120	17082-36420	FUEHRUNG, OELMESSST AB	GUIDE OIL GAUGE	1			0.210	

Update Date : 30-01-2016 Print Date : 02-04-2022



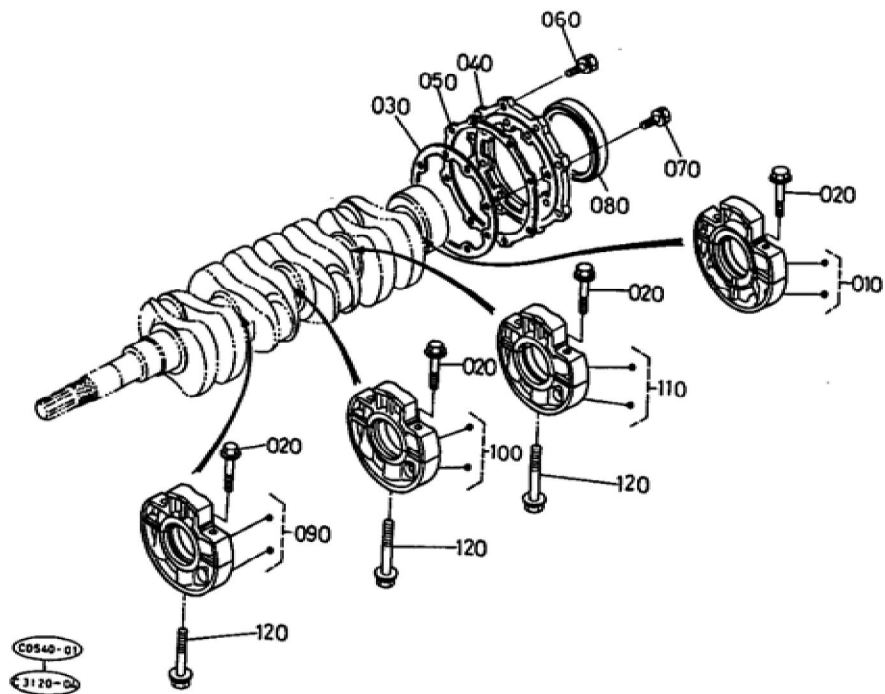
Update Date : 30-01-2016 Print Date : 02-04-2022

No.	Part Number	Part Name (POL)	Part Name (ENG)	QTY	IC	Serial No./PIN	Kg	Remarks
010	17115-21120	KOLBEN	PISTON	4		<=1048	0.000	STD
010	17121-21120	KOLBEN	PISTON	4	=	=>1049	0.555	STD
010	17115-21910	KOLBEN	PISTON	4		<=1048	0.000	+0.5MM
010	17121-21922	KOLBEN	PISTON	4	NI	=>1049	0.000	+0.5MM
020	17331-21050	GRP.KOLBEN RING	ASSY PISTON RING	4			0.065	STD
020	17331-21090	GRP.KOLBEN RING	ASSY PISTON RING	4			0.065	+0.5MM
030	14901-21310	KOLBENBOLZEN	PIN PISTON	4			0.170	
040	14109-21330	SPRENGRING	CLIP PISTON PIN	8			0.001	
050	17311-22010	PLEUELSTANGE KOMP.	ASSY CONNECTING ROD	4			0.885	
060	17331-21980	BUCHSE,KOLBENSTIFT	BUSH PISTON PIN	4			0.025	
070	15521-22142	BOLZEN	BOLT CONNECTING ROD	8			0.026	
080	17311-22310	LAGERSCHALE	METAL CRANKPIN	8			0.045	STD
080	17331-22970	LAGERSCHALE	METAL CRANKPIN	8			0.050	-0.2MM
080	17331-22980	LAGERSCHALE	METAL CRANKPIN	8			0.045	-0.4MM
090	16641-23010	KOMP.KURBELWELLE	COMP.CRANKSHAFT	1			17.000	
100	07715-00401	KUGEL	BALL	4			0.001	
110	19202-23280	BUCHSE,KURBELWELLE	SLEEVE CRANKSHAFT	1			0.090	
120	15471-24110	ZAHNRAD	GEAR CRANKSHAFT	1			0.375	
130	05712-00720	KEIL	KEY FEATHER	1			0.008	
140	15471-23312	RING	SLINGER OIL	1			0.008	
150	19202-23250	HALSRING	COLLAR CRANKSHAFT	1			0.080	
160	19202-96760	O RING	O RING	1			0.001	

Update Date : 30-01-2016 Print Date : 02-04-2022

No.	Part Number	Part Name (POL)	Part Name (ENG)	QTY	IC	Serial No./PIN	Kg	Remarks
170	15221-23360	MUTTER,KURBELWELLE	NUT CRANKSHAFT	1			0.110	
190	17311-23470	LAGERSCHALE	METAL CRANKSHAFT	1			0.060	STD SET
190	17331-23910	LAGERSCHALE	METAL CRANKSHAFT	1			0.000	-0.2MM SET
190	17331-23920	LAGERSCHALE	METAL CRANKSHAFT	1			0.000	-0.4MM SET
200	17311-23480	LAGERSCHALE	METAL CRANKSHAFT	4			0.045	STD SET
200	17331-23930	LAGERSCHALE	METAL CRANKSHAFT	4			0.000	-0.2MM SET
200	17331-23940	LAGERSCHALE	METAL CRANKSHAFT	4			0.000	-0.4MM SET
210	15521-23530	LAGERSCHALE	METAL SIDE	2			0.010	STD
210	15221-23950	LAGERSCHALE	METAL SIDE	2			0.009	+0.2MM
210	15221-23960	LAGERSCHALE	METAL SIDE	2			0.009	+0.4MM
220	19202-23540	LAGERSCHALE	METAL SIDE	2			0.010	STD
220	19202-23970	LAGERSCHALE	METAL SIDE	2			0.010	+0.2MM
220	19202-23980	LAGERSCHALE	METAL SIDE	2			0.010	+0.4MM
230	19202-04140	OELDICHTUNGSRING	SEAL OIL	1			0.015	

Update Date : 30-01-2016 Print Date : 02-04-2022

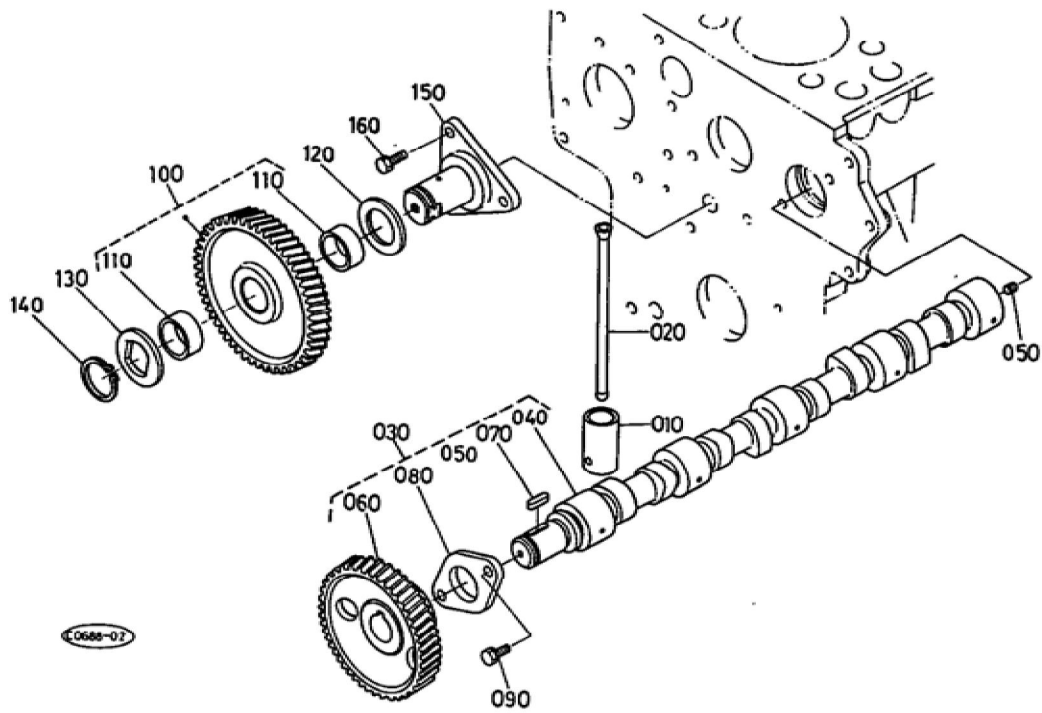




Update Date : 30-01-2016 Print Date : 02-04-2022

No.	Part Number	Part Name (POL)	Part Name (ENG)	QTY	IC	Serial No./PIN	Kg	Remarks
010	19013-04090	GRP.LAGERG EHAEUSE	ASSY CASE MAIN BRG.	1			1.575	
020	19013-04540	BOLZEN,LAG ERKASTEN	BOLT BEARING CASE	8			0.038	
030	17118-04360	DICHTUNG LAGER	GASKET	1			0.000	
040	19013-04810	DECKEL, LAGERKASTE N	COVER BEARING CASE	1			0.000	
050	17118-04830	DICHTUNG	GASKET	1			0.010	
060	01123-50825	BOLZEN	BOLT	8			0.013	
070	01123-50828	BOLZEN	BOLT	8			0.014	
080	19202-04460	OELDICHTUN GSRING	SEAL OIL	1			0.055	
090	19013-04040	GRP.LAGERG EHAEUSE	ASSY CASE MAIN BRG.	1			1.510	
100	19013-04050	GRP.LAGERG EHAEUSE	ASSY CASE MAIN BRG.	1			1.530	
110	19013-04060	GRP.LAGERG EHAEUSE	ASSY CASE MAIN BRG.	1			1.540	
120	15601-04560	BOLZEN, LAGERKASTE N	BOLT BEARING CASE	3			0.060	

Update Date : 30-01-2016 Print Date : 02-04-2022

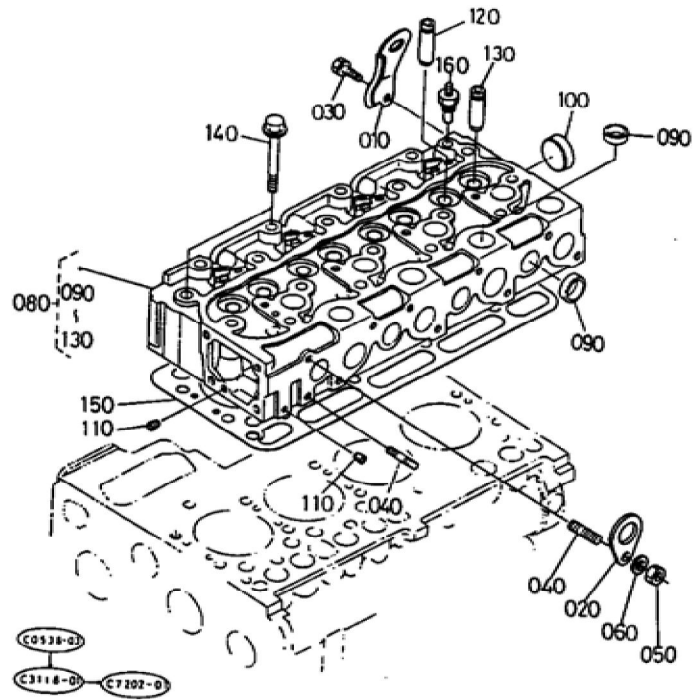


>> R510B OLD TYPE >> MOTOR / BASIC ENGINE >> S00500 NOCKENWELLE RADLADER SN.<=10080 / CAM SHAFT LOADER

Update Date : 30-01-2016 Print Date : 02-04-2022

No.	Part Number	Part Name (POL)	Part Name (ENG)	QTY	IC	Serial No./PIN	Kg	Remarks
010	15221-15550	STOESSEL	TAPPET	8			0.000	
020	19013-15110	STOESSELSTANGE	PUSH ROD	8			0.050	
030	17343-16010	GRP.NOCKENWELLE	ASSY CAMSHAFT	1			3.500	
040	17343-16150	NOCKENWELLE	CAMSHAFT	1			2.200	
050	15521-93610	ANSCHLAGSCHRAUBE	SCREW SET	1			0.002	
060	15521-16510	ZAHNRAD	GEAR CAMSHAFT	1			0.850	
070	05712-00720	KEIL	KEY FEATHER	1			0.008	
080	15221-16270	NOCKENWELLENSPRERRPLATTE	STOPPER CAMSHAFT	1			0.073	
090	01123-50818	BOLZEN	BOLT	2			0.012	
100	15221-24010	ZAHNRAD	COMP.GEAR IDLE	1			1.045	
110	15221-24980	BUCHSE	BUSH IDLE GEAR	2			0.020	
120	15521-24360	HUELSE	COLLAR	1			0.015	
130	15521-24370	HUELSE	COLLAR	1			0.015	
140	15221-24320	SEEGERING	CIR-CLIP IDLE GEAR	1			0.010	
150	15221-24250	WELLE	SHAFT IDLE GEAR	1			0.480	
160	01123-50818	BOLZEN	BOLT	3			0.012	

Update Date : 30-01-2016 Print Date : 02-04-2022





**Download the full PDF manual instantly.**

**Our customer service e-mail:**

**[aservicemanualpdf@yahoo.com](mailto:aservicemanualpdf@yahoo.com)**