

## BKIDK0413 &gt;&gt; R420 &gt;&gt; MOTOR / ENGINE &gt;&gt; S00100 KURBELGHAEUSE / CRANKCASE

Update Date : 17-01-2019 Print Date : 01-04-2022

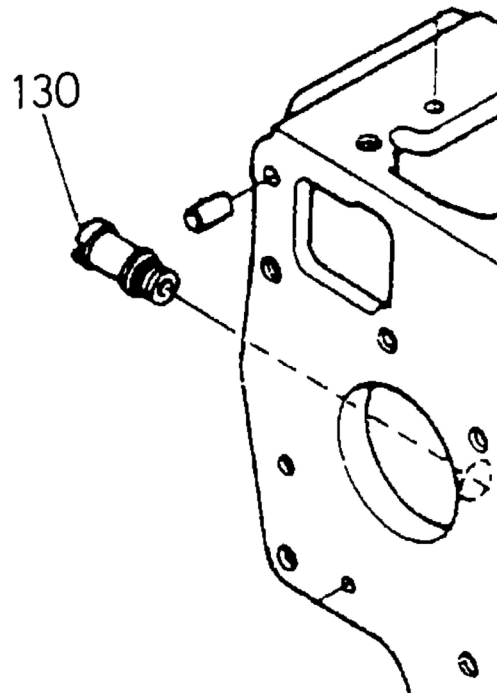
No.	Part Number	Part Name (POL)	Part Name (ENG)	QTY	IC	Serial No./PIN	Kg	Remarks
010	16419-01010	KOMP.KURBELGEHAEUSE	COMP.CRANKCASE	1		<=2331	48.500	
010	16496-01010	KOMP.KURBELGEHAEUSE	COMP.CRANKCASE	1	>>	=>2332	48.500	
010	16496-01015	KOMP.KURBELGEHAEUSE	COMP.CRANKCASE	1	NI	=>YW0001	48.500	
020	15521-96020	STOPFEN	PLUG	5			0.003	
030	15521-96030	STOPFEN	PLUG	2			0.007	
040	17391-96160	STOPFEN	PLUG EXPANSION	3			0.003	
050	06311-75045	STOPFEN	PLUG EXPANSION	1			0.026	
060	15221-03380	STOPFEN	CAP SEALING	5			0.017	
070	15221-03390	STOPFEN	CAP SEALING	2			0.030	
080	05012-00408	ZYLINDERSTIFT	PIN STRAIGHT	2			0.001	
090	05012-00609	ZYLINDERSTIFT	PIN STRAIGHT	2			0.003	
100	05012-00612	ZYLINDERSTIFT	PIN STRAIGHT	2			0.003	
110	05012-01018	ZYLINDERSTIFT	PIN STRAIGHT	1			0.012	
120	15221-33650	ROHRSTIFT	PIN PIPE	1			0.004	
130	15321-73340	WASSERROHR	PIPE WATER RETURN	1		<=2331	0.016	
130	15291-73160	ABLASSPROPFEN	JOINT DRAIN COCK	1	NI	=>2332	0.040	
135	R1401-42860	ABLASSHAHN	COCK DRAIN	1		=>2332	0.083	
160	15221-33700	O RING	O RING	1			0.001	
170	15471-35010	GRP.OELPUMPE	ASSY PUMP OIL	1			0.000	
170	15471-35012	GRP.OELPUMPE	ASSY PUMP OIL	1	=		0.550	
180	1A021-35150	DICHTUNGSPLATTE	GASKET OIL PUMP	1			0.001	
180	1A021-35150	DICHTUNGSPLATTE	GASKET OIL PUMP	1	=		0.001	

## BKIDK0413 &gt;&gt; R420 &gt;&gt; MOTOR / ENGINE &gt;&gt; S00100 KURBELGHAEUSE / CRANKCASE

Update Date : 17-01-2019 Print Date : 01-04-2022

No.	Part Number	Part Name (POL)	Part Name (ENG)	QTY	IC	Serial No./PIN	Kg	Remarks
190	01053-50650	BOLZEN	BOLT	4			0.011	
200	04512-60060	FEDERRING	WASHER SPRING	4			0.001	
210	19202-35660	ZAHNRAD	GEAR OIL PUMP DRIVE	1			0.230	
220	05712-00410	KEIL	KEY FEATHER	1			0.001	
230	15221-35682	MUTTER	NUT FLANGE	1			0.014	
240	15841-39010	OELDRUCKS CHALTER	SWITCH OIL	1			0.030	
250	15221-88210	STEBOLZEN	STUD	2			0.005	

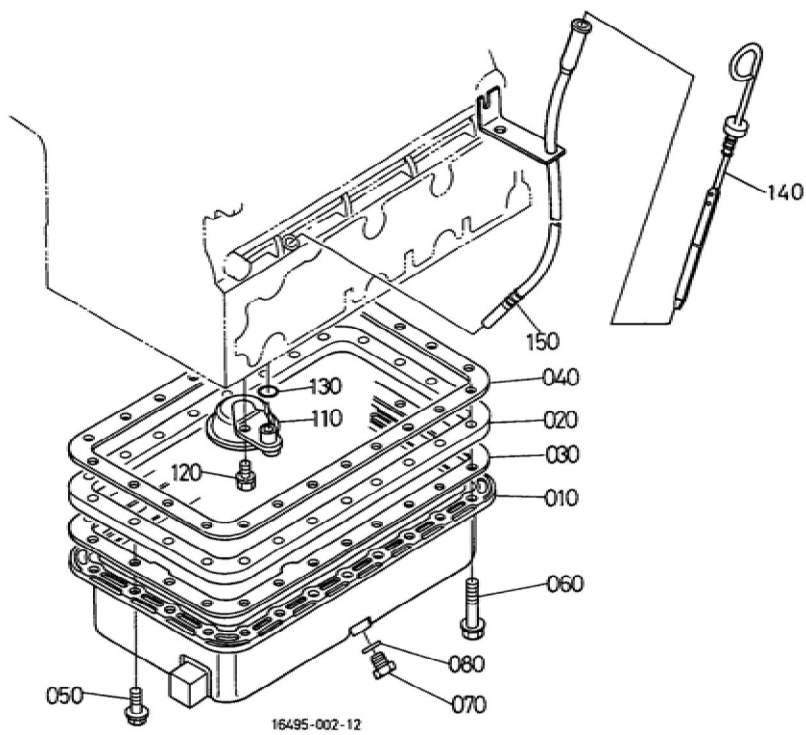
130 15321-7334-0



## BKIDK0413 &gt;&gt; R420 &gt;&gt; MOTOR / ENGINE &gt;&gt; S00100 KURBELGHAEUSE / CRANKCASE

Update Date : 17-01-2019 Print Date : 01-04-2022

No.	Part Number	Part Name (POL)	Part Name (ENG)	QTY	IC	Serial No./PIN	Kg	Remarks
130	15321-73340	WASSERROH R	PIPE WATER RETURN	1		<=2331	0.016	
130	15291-73160	ABLASSPRO PFEN	JOINT DRAIN COCK	1	NI	=>2332	0.040	



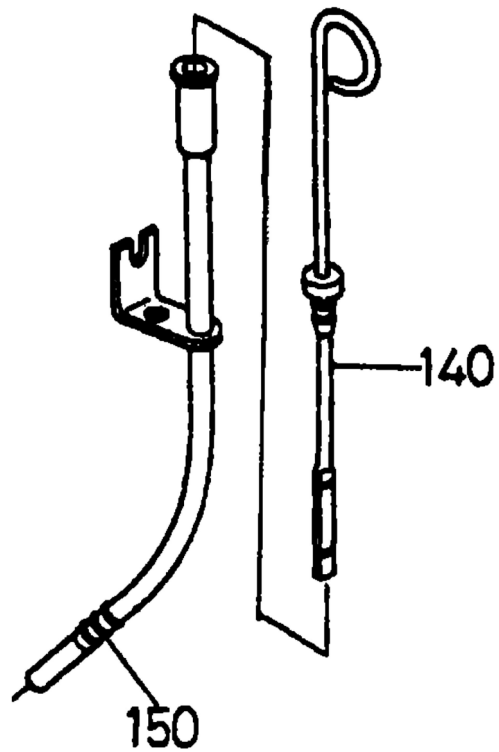
## BKIDK0413 &gt;&gt; R420 &gt;&gt; MOTOR / ENGINE &gt;&gt; S00200 OELWANNE / OIL PAN

Update Date : 17-01-2019 Print Date : 01-04-2022

No.	Part Number	Part Name (POL)	Part Name (ENG)	QTY	IC	Serial No./PIN	Kg	Remarks
010	17118-01610	OELWANNE	OIL PAN	1			2.400	
020	16495-01530	DISTANZSCH EIBE	SPACER OIL PAN	1			3.500	
030	19228-01620	DICHTUNG	GASKET OIL PAN	1			0.070	
040	1A021-01620	DICHTUNG	GASKET OIL PAN	1			0.014	
040	1A021-01620	DICHTUNG	GASKET OIL PAN	1	=		0.014	
050	17333-91010	SCHRAUBE	BOLT FLANGE	8			0.030	
060	01774-51030	SCHRAUBE	BOLT FLANGE	20			0.026	
070	15221-33750	STOPFEN	PLUG	1			0.032	
080	15109-33660	DICHTUNGSP LATTE	GASKET	1			0.001	
080	6C090-58960	DICHTUNGSP LATTE	GASKET	1	=		0.005	
110	17365-32110	OELFILTER	FILTER OIL	1			0.245	
120	01123-60814	BOLZEN	BOLT	1			0.010	
130	04814-00160	O RING	O RING	1			0.001	
140	16495-36410	OELMESSST AB	GAUGE OIL	1		<=2566	0.050	
140	R2401-36410	OELMESSST AB	GAUGE OIL	1	NI	=>2567	0.050	
150	17082-36420	FUEHRUNG, OELMESSST AB	GUIDE OIL GAUGE	1		<=2566	0.210	
150	R2401-36420	FUEHRUNG, OEL- MEBSTAB	GUIDE OIL GAUGE	1	NI	=>2567	0.210	

140 16495-3641-0

150 17082-3642-0



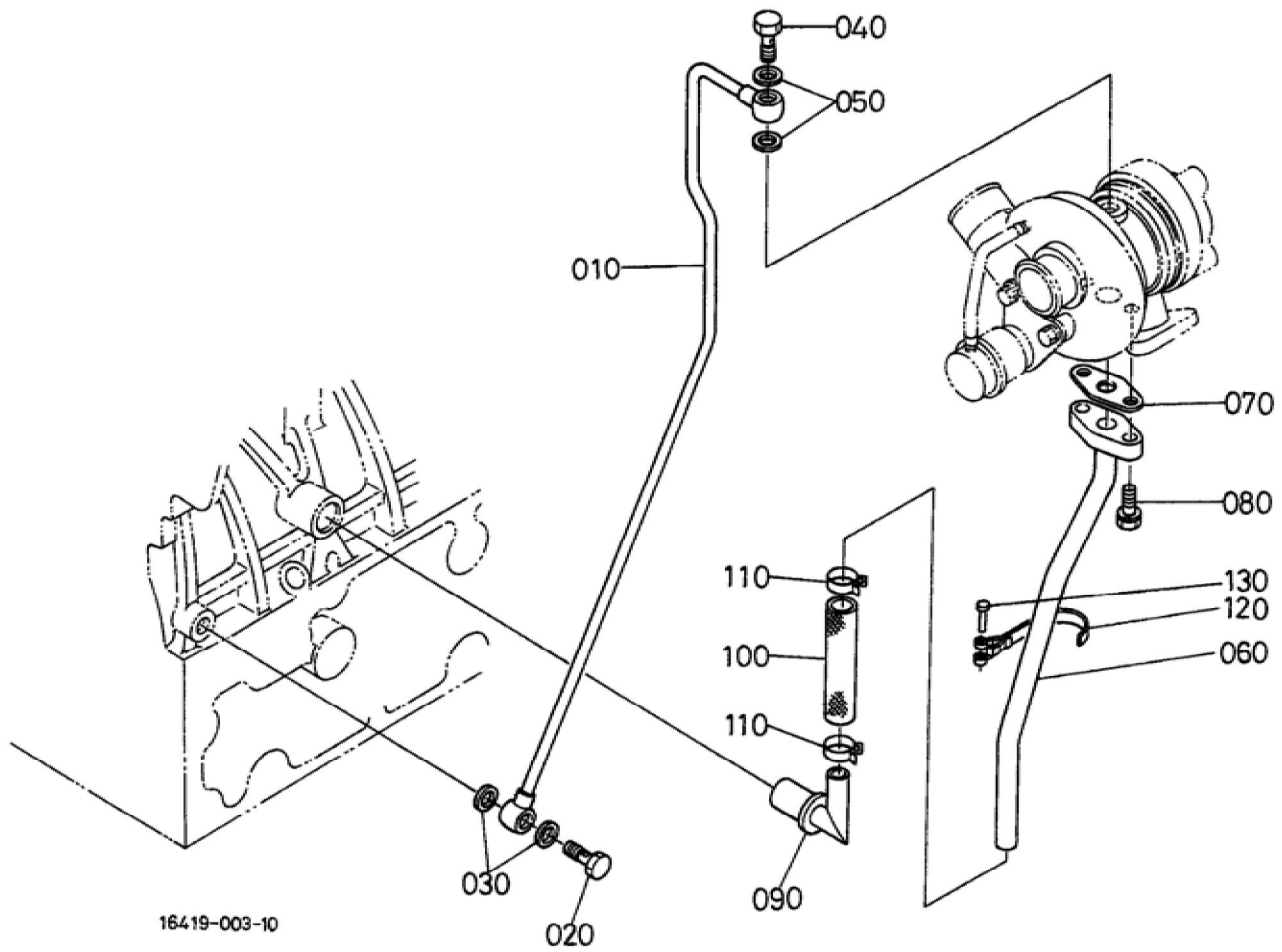
16496-802-10



## BKIDK0413 &gt;&gt; R420 &gt;&gt; MOTOR / ENGINE &gt;&gt; S00200 OELWANNE / OIL PAN

Update Date : 17-01-2019 Print Date : 01-04-2022

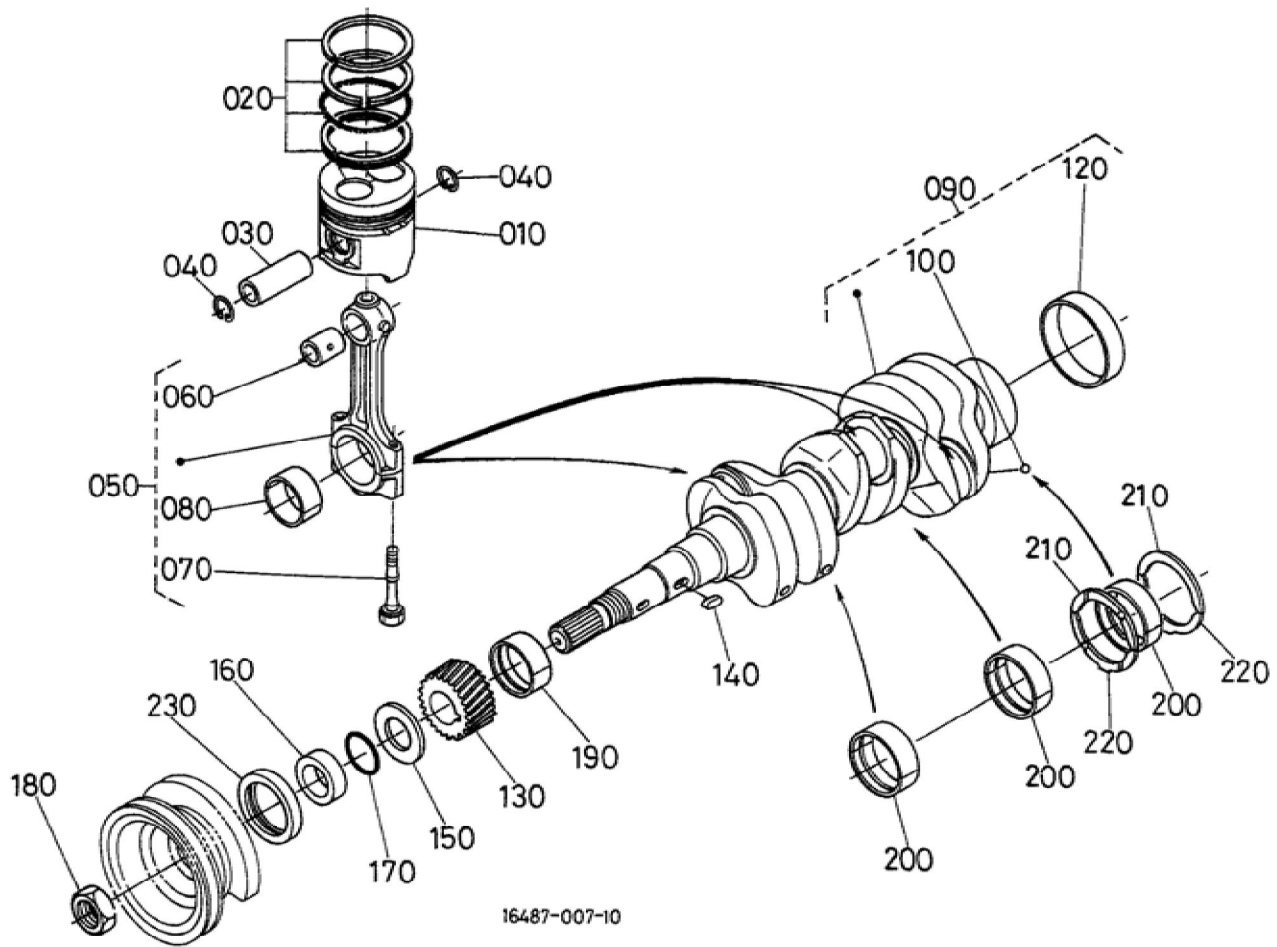
No.	Part Number	Part Name (POL)	Part Name (ENG)	QTY	IC	Serial No./PIN	Kg	Remarks
140	16495-36410	OELMESSST AB	GAUGE OIL	1		<=2566	0.050	
140	R2401-36410	OELMESSST AB	GAUGE OIL	1	NI	=>2567	0.050	
150	17082-36420	FUEHRUNG, OELMESSST AB	GUIDE OIL GAUGE	1		<=2566	0.210	
150	R2401-36420	FUEHRUNG, OEL- MEBSTAB	GUIDE OIL GAUGE	1	NI	=>2567	0.210	



Update Date : 17-01-2019 Print Date : 01-04-2022

No.	Part Number	Part Name (POL)	Part Name (ENG)	QTY	IC	Serial No./PIN	Kg	Remarks
010	16419-33040	OELLEITUNG	COMP.PIPE OIL	1			0.090	
020	15471-95790	SCHRAUBE	BOLT EYE JOINT	1			0.020	
030	15021-33660	DICHTUNGSP LATTE	GASKET	2			0.001	
040	16241-95800	BOLZEN	BOLT EYE JOINT	1			0.015	
050	15471-96650	DICHTUNGSP LATTE	GASKET	2			0.002	
060	16419-33050	OELLEITUNG	COMP.PIPE OIL	1			0.135	
070	16299-33670	DICHTUNGSP LATTE	GASKET	1			0.003	
080	01023-50620	BOLZEN	BOLT	2			0.006	
090	16419-33060	TUBE	COMP.PIPE OIL	1		<=YW1128	0.060	
090	1A024-33230	STIFT	PIPE OIL	1	NI	=>YY0001	0.040	
100	16241-33240	STIFT	PIPE OIL	1			0.022	
110	09318-88200	SCHLAUCHBI NDER	CLAMP HOSE	2			0.004	
120	15471-33520	ROHRKLEMM E	CLAMP PIPE	1			0.010	
130	33430-82760	STIFT	PIN BAND	1			0.004	

Update Date : 17-01-2019 Print Date : 01-04-2022





**Download the full PDF manual instantly.**

**Our customer service e-mail:**

**[aservicemanualpdf@yahoo.com](mailto:aservicemanualpdf@yahoo.com)**