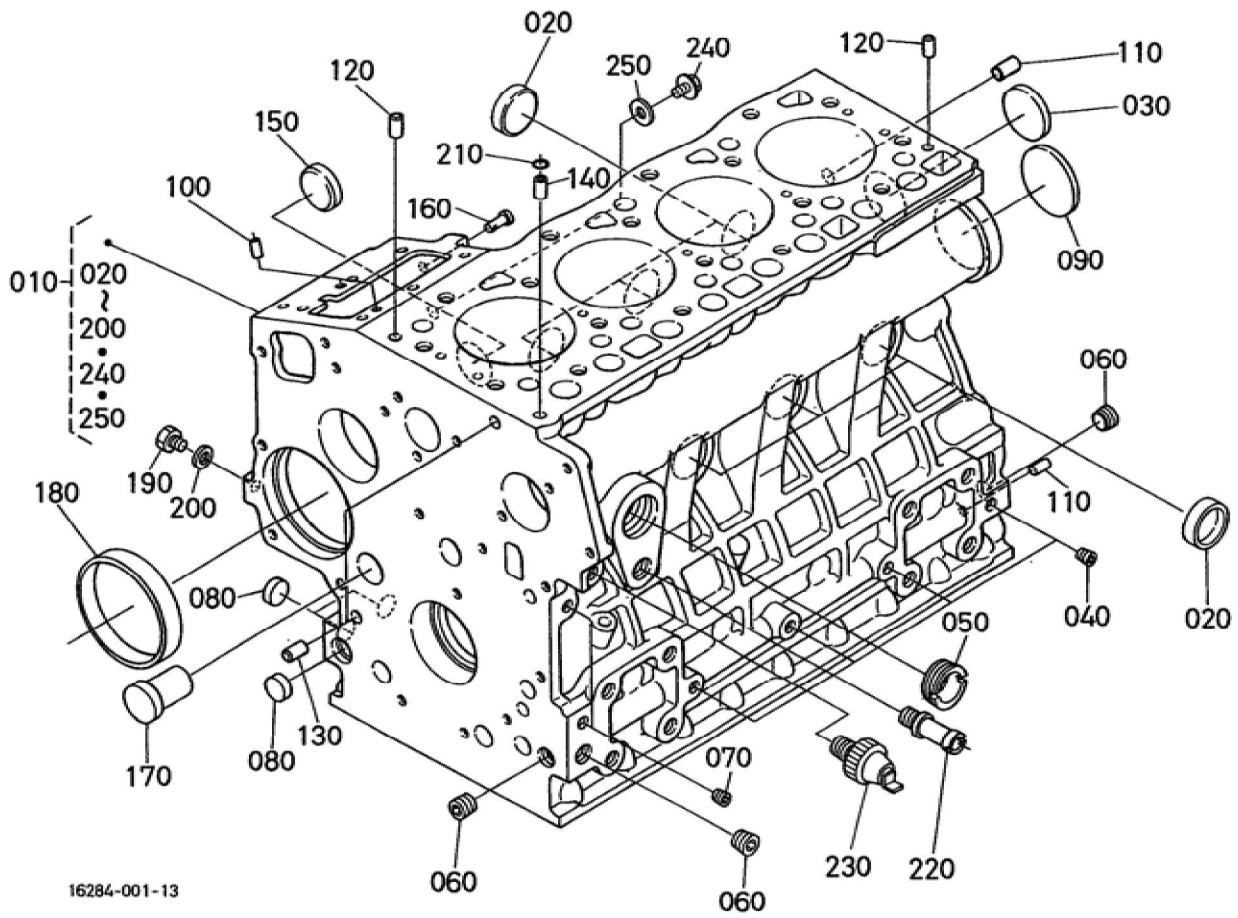


Update Date : 2020/01/16 Print Date : 2022/03/31



BKIDK0371 >> R310 >> MOTOR / BASIC ENGINE >> S00100 KURBEL GEHAEUSE / CRANK CASE

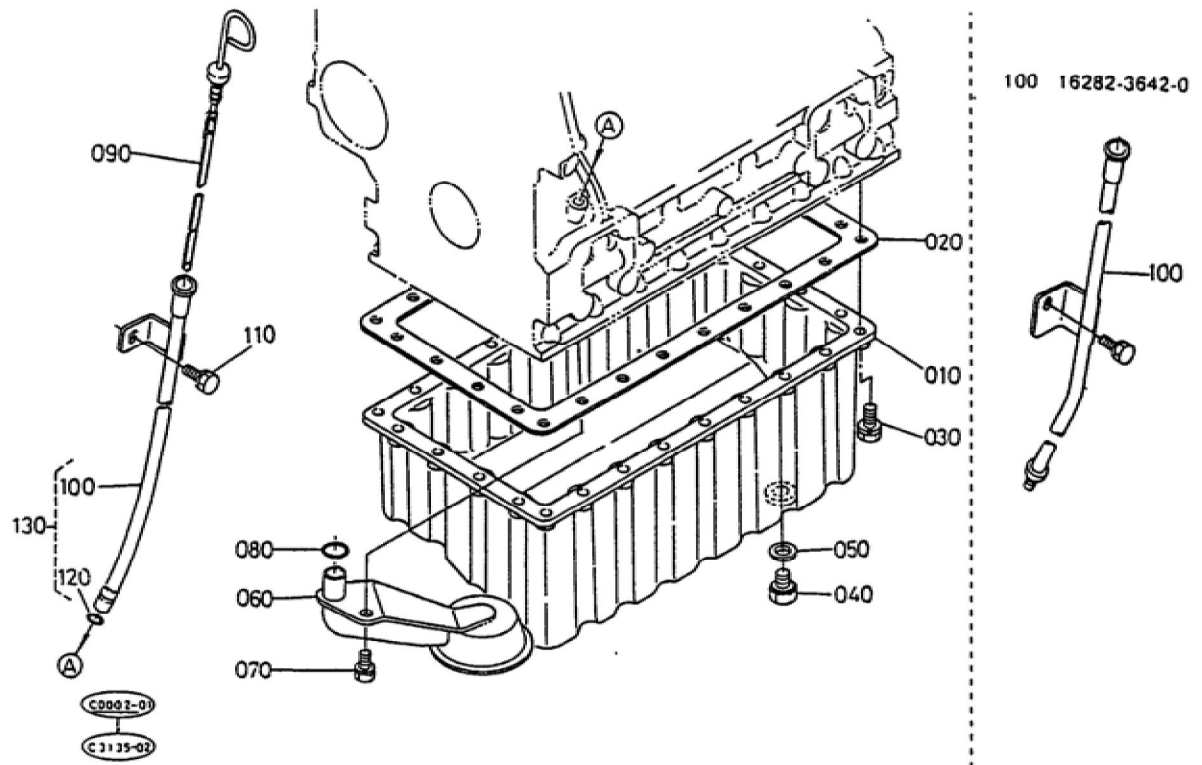
Update Date : 2020/01/16 Print Date : 2022/03/31

No.	Part Number	Part Name (POL)	Part Name (ENG)	QTY	IC	Serial No./PIN	Kg	Remarks
010	16252-01010	KOMP.KURBELGEHAEUSE	COMP.CRANKCASE	1		<=150379	0.000	
010	16252-01012	KOMP.KURBELGEHAEUSE	COMP.CRANKCASE	1	>>	=>150380	0.000	
010	16252-01015	KOMP.KURBELGEHAEUSE	COMP.CRANKCASE	1	NI	=>431831	0.000	
010	16615-01010	KOMP.KURBELGEHAEUSE	COMP.CRANKCASE	1	>>	=>559356	45.000	
010	16615-01013	KOMP.KURBELGEHAEUSE	COMP.CRANKCASE	1	NI	=>YE0001	50.000	
010	16615-01014	KOMP.KURBELGEHAEUSE	COMP.CRANKCASE	1	>>	=>YG0001	50.000	
010	16615-01015	KOMP.KURBELGEHAEUSE	COMP.CRANKCASE	1	>>	=>1G0001	0.000	
010	16615-01016	KOMP.KURBELGEHAEUSE	COMP.CRANKCASE	1	>>	=>2E0004	0.000	
020	15451-96270	KAPPE	CAP SEALING 2	6			0.010	
030	15221-03490	STOPFEN	CAP SEALING	1			0.020	
040	15261-96010	STOPFEN	PLUG	4			0.002	
050	16271-96020	STOPFEN	PLUG	1		<=559355	0.000	
050	16683-96020	STOPFEN	PLUG	1	>>	=>559356	0.088	
060	16241-96010	STOPFEN	PLUG	3			0.007	
070	15521-96020	STOPFEN	PLUG	2			0.003	
080	06311-75018	STOPFEN	PLUG	3		<=297319	0.004	
080	17391-96160	STOPFEN	PLUG	1	>>	=>297320	0.003	
090	16271-96160	STOPFEN	PLUG	1			0.025	
100	05012-00508	ZYLINDERSTIFT	PIN STRAIGHT	2			0.001	
100	16225-94510	ZYLINDERSTIFT	PIN STRAIGHT	2	=		0.001	
110	05012-00814	ZYLINDERSTIFT	PIN STRAIGHT	2			0.006	
110	16221-94530	ZYLINDERSTIFT	PIN STRAIGHT	2	=		0.006	
120	05012-00610	ZYLINDERSTIFT	PIN STRAIGHT	2			0.003	

BKIDK0371 >> R310 >> MOTOR / BASIC ENGINE >> S00100 KURBEL GEHAEUSE / CRANK CASE

Update Date : 2020/01/16 Print Date : 2022/03/31

No.	Part Number	Part Name (POL)	Part Name (ENG)	QTY	IC	Serial No./PIN	Kg	Remarks
120	16221-94520	ZYLINDERSTIFT	PIN STRAIGHT	2	=		0.005	
130	15231-33960	ROHRSTIFT	PIN PIPE	2			0.001	
140	16241-33650	ROHRSTIFT	PIN PIPE	1			0.002	
150	16241-96260	STOPFEN	PLUG	1		<=741870	0.006	
150	16241-96260	STOPFEN	PLUG	1		=>10001	0.006	
150	16241-96262	STOPFEN	PLUG	1	>>	=>49890	0.007	
160	15221-56280	STARTFEDERSTIFT	PIN START SPRING	1			0.006	
160	16221-56280	STARTFEDERSTIFT	PIN STRAT SPRING	1	=		0.005	
170	16282-96010	STOPFEN	PLUG	1			0.090	
180	16271-55350	BUCHSE	BUSH GOVERNOR GEAR	1			0.060	
190	15221-33610	STOPFEN	PLUG	1			0.009	
200	15021-33660	DICHTUNGSPLATTE	GASKET	1			0.001	
210	15221-33700	O RING	O RING	1			0.001	
220	15321-73340	WASSERROHR	PIPE WATER RETURN 1	1			0.016	
230	15841-39010	OELDRUCKSCHALTER	SWITCH OIL	1			0.030	

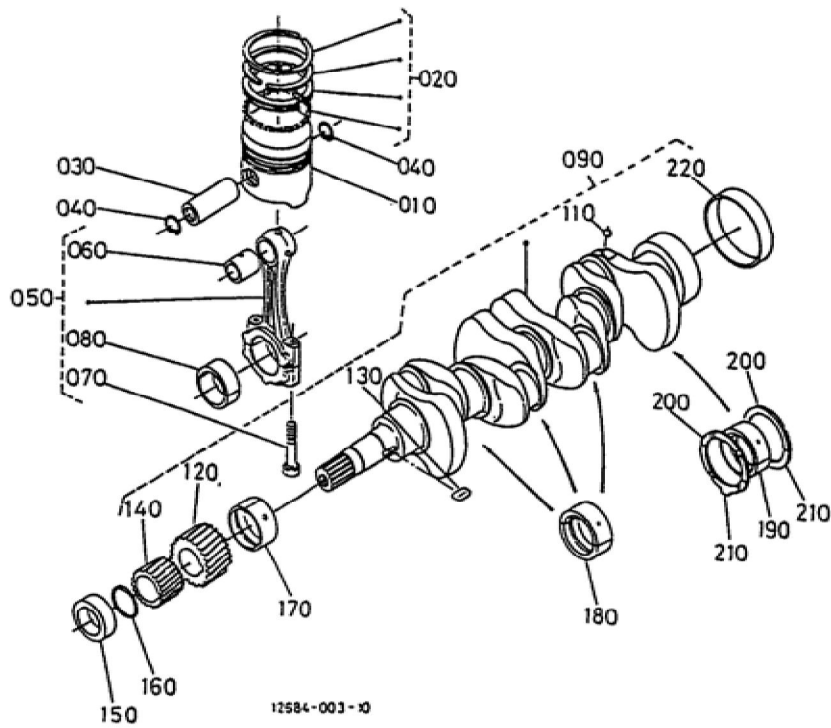


BKIDK0371 >> R310 >> MOTOR / BASIC ENGINE >> S00200 OELWANNE / OIL PAN

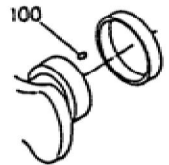
Update Date : 2020/01/16 Print Date : 2022/03/31

No.	Part Number	Part Name (POL)	Part Name (ENG)	QTY	IC	Serial No./PIN	Kg	Remarks
010	16252-01610	OELWANNE	OIL PAN	1			5.900	
020	16252-01620	DICHTUNG	GASKET OIL PAN	1		<=741870	0.000	
020	16252-01620	DICHTUNG	GASKET OIL PAN	1		=>10001	0.000	
020	16252-01630	DICHTUNG	GASKET OIL PAN	1	=	=>20874	0.012	
030	01023-50618	BOLZEN	BOLT	26			0.006	
040	15221-33750	STOPFEN	PLUG	1			0.032	
050	15109-33660	DICHTUNGSP LATTE	GASKET	1			0.001	
050	6C090-58960	DICHTUNGSP LATTE	GASKET	1	=		0.005	
060	16282-32110	OELFILTER	FILTER OIL 1	1		<=741870	0.000	
060	16282-32110	OELFILTER	FILTER OIL	1		=>10001	0.000	
060	16282-32113	OELFILTER	FILTER OIL	1	>>	=>25929	0.250	
070	01123-50816	SCHRAUBE	BOLT	1			0.011	
080	04811-00160	O RING	O RING	1		<=173620	0.001	
080	04814-00160	O RING	O RING	1	=	=>173621	0.001	
090	16282-36410	OELMESSST AB	GAUGE OIL	1			0.000	
100	16282-36420	FUEHRUNG, OELMESSST AB	GUIDE OIL GAUGE	1		<=512877	0.110	
100	16282-36422	FUEHRUNG, OEL- MEBSTAB	GUIDE OIL GAUGE	1	NI	=>512878	0.000	
110	01123-50814	BOLZEN	BOLT	1			0.010	
120	04814-00090	O RING	O RING	1		=>512878	0.001	
130	16282-36500	GRP.FUEHRU NG	ASSY GUIDE OIL GAUGE	1		=>512878	0.110	

Update Date : 2020/01/16 Print Date : 2022/03/31



100 05012-00508



16252-801-10

Update Date : 2020/01/16 Print Date : 2022/03/31

No.	Part Number	Part Name (POL)	Part Name (ENG)	QTY	IC	Serial No./PIN	Kg	Remarks
010	16251-21110	KOLBEN	PISTON	4		<=489915	0.000	STD
010	16050-21110	KOLBEN	PISTON	4	>>	=>489916	0.400	STD
010	16251-21910	KOLBEN	PISTON 05	4		<=489915	0.000	+0.5mm
010	16050-21910	KOLBEN	PISTON 05	4	>>	=>489916	0.400	+0.5mm
020	16271-21050	GRP.KOLBEN RING	ASSY PISTON RING	4			0.050	STD
020	16271-21090	GRP.KOLBEN RING	ASSY PISTON RING 05	4			0.150	+0.5mm
030	16241-21310	KOLBENBOLZEN	PIN PISTON	4			0.135	
040	16241-21330	SEEGERING	CIR-CLIP PISTON PIN	8			0.002	
050	16241-22012	PLEUELSTANGE KOMP.	ASSY CONNECTING ROD	4			0.545	
060	16241-21980	BUCHSE,KOLBENSTIFT	BUSH PISTON PIN 03	4			0.003	
070	16241-22140	BOLZEN	BOLT CONNECTING ROD	8			0.024	
080	16241-22310	LAGERSCHALE	METAL CRANKPIN	4			0.038	STD
080	16241-22970	LAGERSCHALE	METAL CRANKPIN 02	4			0.080	-0.2mm
080	16241-22980	LAGERSCHALE	METAL CRANKPIN 04	4			0.100	-0.4mm
090	16241-23010	KOMP.KURBELWELLE	COMP.CRANKSHAFT	1		<=459953	0.000	
090	16241-23013	KOMP.KURBELWELLE	COMP.CRANKSHAFT	1	>>	=>459954	0.000	
090	16241-23014	KOMP.KURBELWELLE	COMP.CRANKSHAFT	1	<<	=>482631	10.800	
100	05012-00508	ZYLINDERSTIFT	PIN STRAIGHT	1		<=459953	0.001	
110	07715-00401	KUGEL	BALL	4			0.001	
120	16241-24110	ZAHNRAD	GEAR CRANKSHAFT	1			0.150	
130	16271-95230	KEIL	KEY	1			0.005	
140	16241-35630	ZAHNRAD	GEAR OIL PUMP DRIVE	1			0.102	

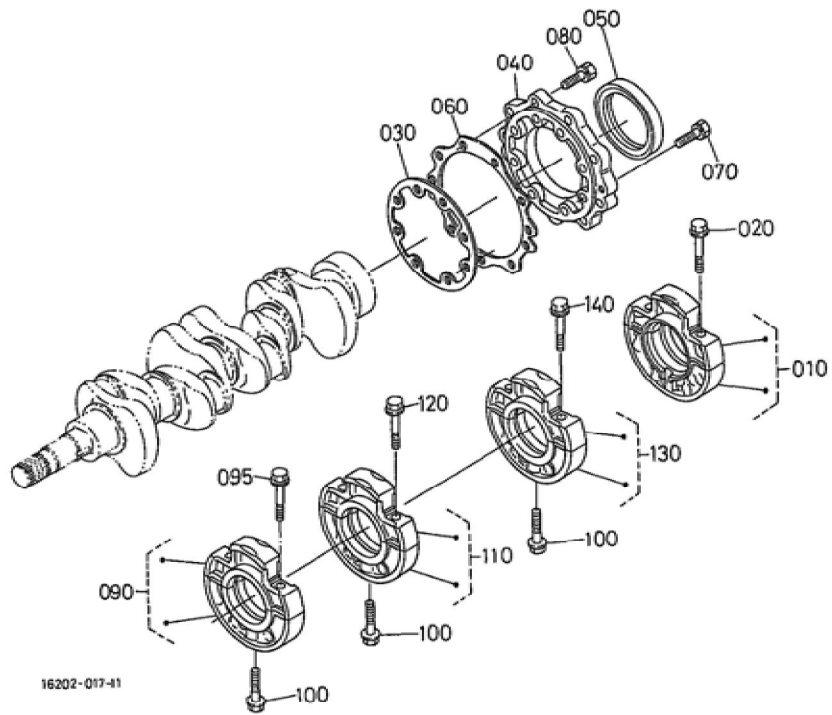
Update Date : 2020/01/16 Print Date : 2022/03/31

No.	Part Number	Part Name (POL)	Part Name (ENG)	QTY	IC	Serial No./PIN	Kg	Remarks
150	16241-23250	HALSRING	COLLAR CRANKSHAF T	1			0.050	
160	04811-10280	O RING	O RING	1		<=173620	0.001	
160	04814-10280	O RING	O RING	1	=	=>173621	0.001	
160	15667-96750	O RING	O RING	1	=	=>188725	0.020	
170	16241-23470	LAGERSCHA LE	METAL CRANKSHAF T 1	1			0.060	STD
170	16241-23910	LAGERSCHA LE	METAL CRANKSHAF T 1 0	1			0.030	-0.2mm
170	16241-23920	LAGERSCHA LE	METAL CRANKSHAF T 1 0	1			0.068	-0.4mm
180	16241-23480	LAGERSCHA LE	METAL CRANKSHAF T 2	3			0.050	STD
180	16241-23930	LAGERSCHA LE	METAL CRANKSHAF T 2 0	3			0.100	-0.2mm
180	16241-23940	LAGERSCHA LE	METAL CRANKSHAF T 2 0	3			0.050	-0.4mm
190	16241-23490	LAGERSCHA LE	METAL CRANKSHAF T 3	1			0.000	STD
190	16292-23490	LAGERSCHA LE	METAL CRANKSHAF T 3	1	=		0.070	STD
190	16241-23860	LAGERSCHA LE	METAL CRANKSHAF T 3 0	1			0.100	-0.2mm
190	16241-23870	LAGERSCHA LE	METAL CRANKSHAF T 3 0	1			0.068	-0.4mm
200	15521-23530	LAGERSCHA LE	METAL SIDE 1	2			0.010	STD
200	15521-23950	LAGERSCHA LE	METAL SIDE 1 0 2	2			0.010	+0.2mm
200	15521-23960	LAGERSCHA LE	METAL SIDE 1 0 4	2			0.010	+0.4mm
210	19202-23540	LAGERSCHA LE	METAL SIDE 2	2			0.010	STD
210	19202-23970	LAGERSCHA LE	METAL SIDE 2 0 2	2			0.010	+0.2mm
210	19202-23980	LAGERSCHA LE	METAL SIDE 2 0 4	2			0.010	+0.4mm

Update Date : 2020/01/16 Print Date : 2022/03/31

No.	Part Number	Part Name (POL)	Part Name (ENG)	QTY	IC	Serial No./PIN	Kg	Remarks
220	16241-23280	MUFFE	SLEEVE CRANKSHAF T	1			0.060	

Update Date : 2020/01/16 Print Date : 2022/03/31



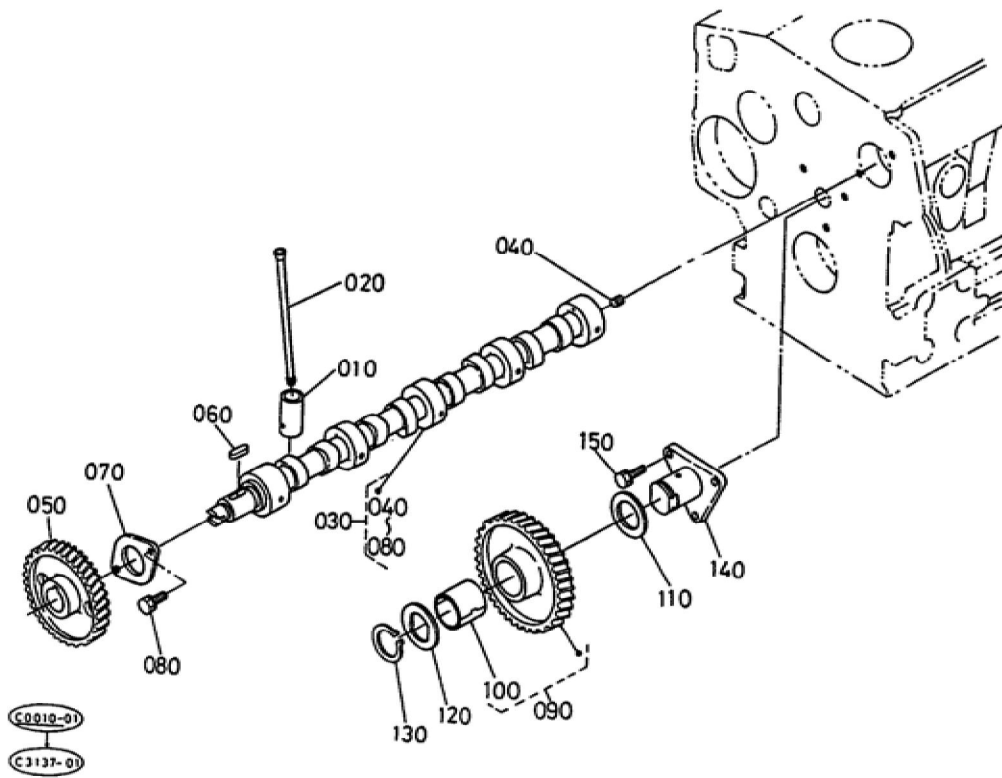
Update Date : 2020/01/16 Print Date : 2022/03/31

No.	Part Number	Part Name (POL)	Part Name (ENG)	QTY	IC	Serial No./PIN	Kg	Remarks
010	16241-04092	GRP.LAGERG EHAEUSE	ASSY CASE MAIN BRG.	1			1.130	
020	16241-04540	BOLZEN,LAG ERKASTEN	BOLT BEARING CASE	2			0.020	
030	16241-04360	DICHTUNG,L AGER	GASKET BRG.CASE	1		<=741870	0.000	
030	16241-04360	DICHTUNG,L AGER	GASKET BRG.CASE	1		=>10001	0.000	
030	16264-04360	DICHTUNG	GASKET BRG.CASE	1	=	=>20874	0.002	
040	16241-04810	DECKEL,LAG ERKASTEN	COVER BEARING CASE	1		<=475253	0.000	
040	16241-04813	DECKEL,LAG ERKASTEN	COVER BEARING CASE	1	>>	=>475254	0.220	
050	16241-04460	OELDICHTUN GSRING	SEAL OIL	1		<=178704	0.020	
050	16259-04210	OELDICHTUN GSRING	SEAL OIL	1	NI	=>178705	0.015	
060	16241-04820	DICHTUNGSP LATTE	GASKET BRG.CASE COV.	1		<=741870	0.000	
060	16241-04820	DICHTUNGSP LATTE	GASKET BRG.CASE COV.	1		=>10001	0.000	
060	16264-04820	DICHTUNGSP LATTE	GASKET BRG.CASE COV.	1	=	=>20874	0.008	
070	01023-50625	BOLZEN	BOLT	8			0.007	
080	01023-50620	BOLZEN	BOLT	9			0.006	
090	16271-04040	GRP.LAGERG EHAEUSE	ASSY CASE MAIN BRG.	1			1.000	
090	16261-04040	GRP.LAGERG EHAEUSE	ASSY CASE MAIN BRG.	1	=		0.900	
095	16241-04540	BOLZEN,LAG ERKASTEN	BOLT BEARING CASE	2			0.020	
100	16241-04560	BOLZEN,LAG ERKASTEN	BOLT BEARING CASE	3			0.030	
110	16271-04050	GRP.LAGERG EHAEUSE	ASSY CASE MAIN BRG.	1			1.000	
110	16261-04050	GRP.LAGERG EHAEUSE	ASSY CASE MAIN BRG.	1	=		1.110	

Update Date : 2020/01/16 Print Date : 2022/03/31

No.	Part Number	Part Name (POL)	Part Name (ENG)	QTY	IC	Serial No./PIN	Kg	Remarks
120	16241-04540	BOLZEN,LAG ERKASTEN	BOLT BEARING CASE	2			0.020	
130	16271-04060	GRP.LAGERG EHAEUSE	ASSY CASE MAIN BRG.	1			1.000	
130	16282-04060	GRP.LAGERG EHAEUSE	ASSY CASE MAIN BRG.	1	=		1.000	
140	16241-04540	BOLZEN,LAG ERKASTEN	BOLT BEARING CASE	2			0.020	

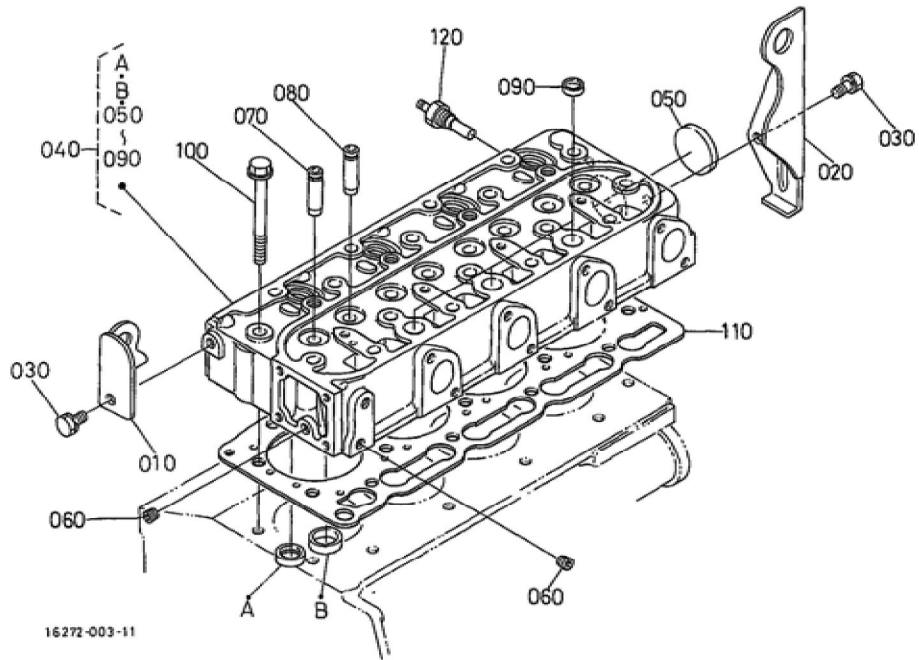
Update Date : 2020/01/16 Print Date : 2022/03/31



BKIDK0371 >> R310 >> MOTOR / BASIC ENGINE >> S00500 NOCKEN WELLE / CAMSHAFT

Update Date : 2020/01/16 Print Date : 2022/03/31

No.	Part Number	Part Name (POL)	Part Name (ENG)	QTY	IC	Serial No./PIN	Kg	Remarks
010	16261-15550	STOESSEL	TAPPET	8			0.035	
020	16241-15110	STOESSELST ANGE	PUSH ROD	8			0.030	
030	16271-16010	GRP.NOCKE NWELLE	ASSY CAMSHAFT	1			1.800	
040	15521-93610	ANSCHLAGS CHRAUBE	SCREW SET	1			0.002	
050	16241-16510	ZAHNRAD	GEAR CAMSHAFT	1			0.450	
060	05712-00518	KEIL	KEY FEATHER	1			0.003	
070	16241-16270	NOCKENWEL LENSPERRPL ATTE	STOPPER CAMSHAFT	1			0.040	
080	01023-50614	BOLZEN	BOLT	2		<=2D0119	0.005	
080	01023-50616	BOLZEN	BOLT	2	>>	=>2E0004	0.006	
090	16271-24010	ZAHNRAD	COMP IDLE GEAR 1	1			0.600	
100	16271-24980	BUCHSE	BUSH IDLE GEAR 03	1			0.020	
110	16241-24360	HUELSE	COLLAR IDLE GEAR 1	1			0.010	
120	16241-24370	HUELSE	COLLAR IDLE GEAR 2	1			0.012	
130	16241-24320	SEEGERING	CIR-CLIP IDLE GEAR	1			0.003	
140	16241-24250	WELLE	SHAFT IDLE GEAR 1	1			0.255	
150	01023-50616	BOLZEN	BOLT	3			0.006	





Download the full PDF manual instantly.

Our customer service e-mail:

aservicemanualpdf@yahoo.com