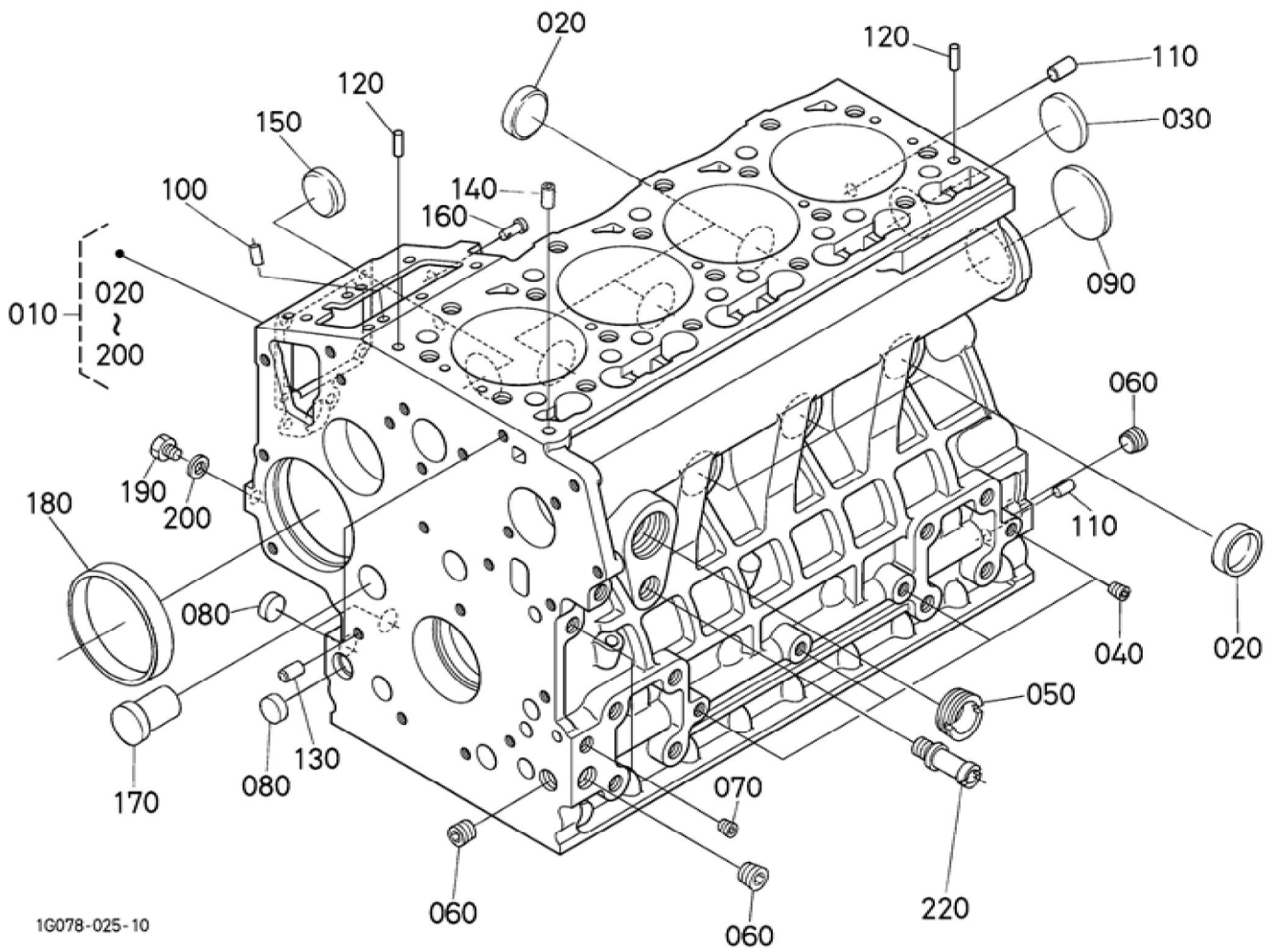


Update Date : 2018/09/21 Print Date : 2022/03/31



1G078-025-10

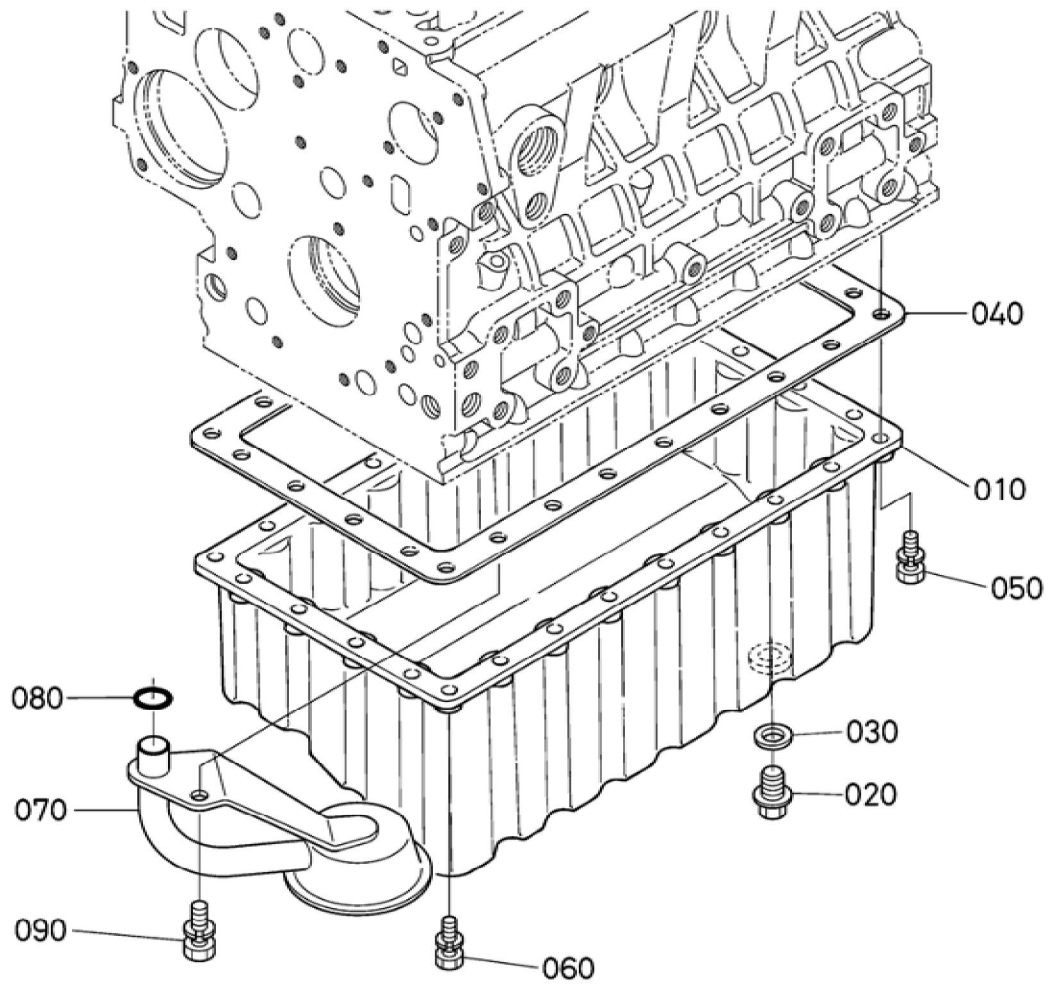
Update Date : 2018/09/21 Print Date : 2022/03/31

No.	Part Number	Part Name (POL)	Part Name (ENG)	QTY	IC	Serial No./PIN	Kg	Remarks
010	16615-01017	KOMP.KURBELGEHAEUSE	COMP.CRANKCASE	1			48.000	
010	1E023-01016	KOMP.KURBELGEHAEUSE	COMP.CRANKCASE	1	=	<=6G9924	48.000	
010	1E023-01017	KOMP.KURBELGEHAEUSE	COMP.CRANKCASE	1	>>	>=6J0091	38.000	
010	1G696-01012	KOMP.KURBELGEHAEUSE	COMP.CRANKCASE	1	NI	>=7A0037	47.000	
020	15451-96270	KAPPE	CAP,SEALING	6			0.010	
030	15221-03490	STOPFEN	CAP,SEALING	1			0.020	
040	15261-96010	STOPFEN	PLUG	4			0.002	
050	16683-96020	STOPFEN	PLUG	1			0.088	
060	16241-96010	STOPFEN	PLUG	3			0.007	
070	15521-96020	STOPFEN	PLUG	2			0.003	
080	17391-96160	STOPFEN	PLUG,EXPANSION	3			0.003	
090	16271-96160	STOPFEN	PLUG,EXPANSION	1			0.025	
100	05012-00508	ZYLINDERSTIFT	PIN,STRAIGHT	2			0.001	
110	05012-00814	ZYLINDERSTIFT	PIN,STRAIGHT	2			0.006	
120	05012-00610	ZYLINDERSTIFT	PIN,STRAIGHT	2			0.003	
130	15231-33960	ROHRSTIFT	PIN,PIPE	2			0.001	
140	16241-33650	ROHRSTIFT	PIN,PIPE	1			0.002	
150	16241-96262	STOPFEN	PLUG,FUEL CAMSHAFT	1			0.007	
160	16221-56280	STARTFEDERSTIFT	PIN,START SPRING	1			0.005	
170	16282-96010	STOPFEN	PLUG	1			0.090	
180	16271-55350	BUCHSE	BUSHING (GEAR,GOVERNOR)	1			0.060	
190	15221-33610	STOPFEN	PLUG	1		<=9U3598	0.009	
190	1G896-33610	BOLZEN	PLUG	1	NI	>=9W0034	0.008	
200	15021-33660	DICHTUNGSPLATTE	PACKING	1			0.001	

Update Date : 2018/09/21 Print Date : 2022/03/31

No.	Part Number	Part Name (POL)	Part Name (ENG)	QTY	IC	Serial No./PIN	Kg	Remarks
220	15321-73340	WASSERROH R	PIPE(WATER RETURN)	1			0.016	

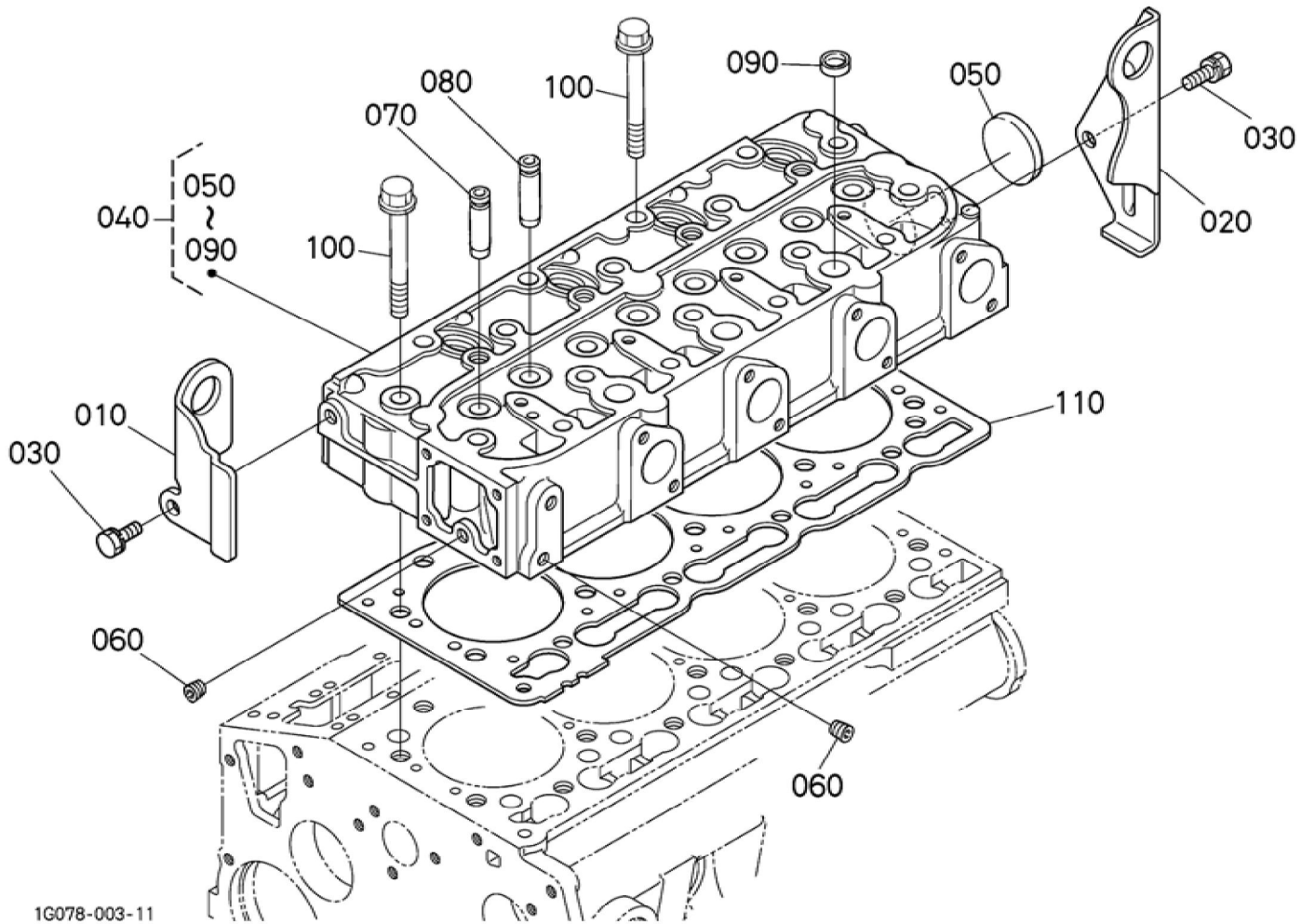
Update Date : 2018/09/21 Print Date : 2022/03/31



Update Date : 2018/09/21 Print Date : 2022/03/31

No.	Part Number	Part Name (POL)	Part Name (ENG)	QTY	IC	Serial No./PIN	Kg	Remarks
010	16252-01610	OELWANNE	OIL PAN	1			5.900	
020	16326-33750	ENTLEERUNGSSTOPFEN	PLUG,DRAIN	1			0.025	
020	13901-33750	ENTLEERUNGSSTOPFEN	PLUG,DRAIN	1	=		0.025	
030	6C090-58960	DICHTUNGSPLATTE	GASKET	1			0.005	
040	16252-01630	DICHTUNG	GASKET,OIL PAN	1			0.012	
050	01023-50620	BOLZEN	BOLT	26		<=7Z3864	0.006	
050	01023-50620	BOLZEN	BOLT	24		=>8A0009	0.006	
060	01023-50620	BOLZEN	BOLT	2		=>8A0009	0.006	
070	16282-32114	OELFILTER	FILTER,OIL	1		<=5X2399	0.230	
070	16282-32117	OELFILTER	FILTER,OIL	1	>>	=>5Y0001	0.230	
080	04814-00160	O RING	O RING	1			0.001	
090	01123-60816	BOLZEN	BOLT	1			0.010	

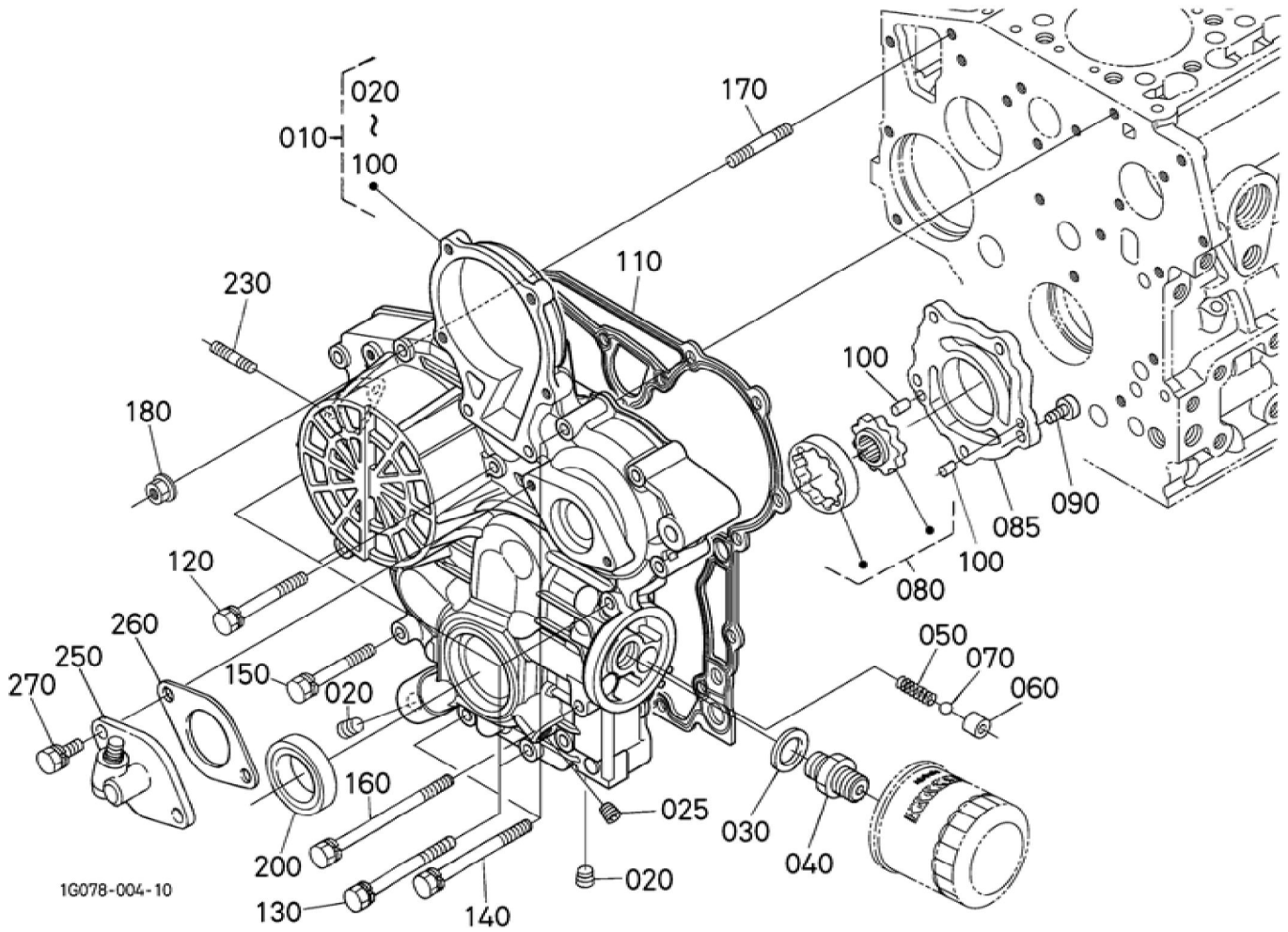
Update Date : 2018/09/21 Print Date : 2022/03/31



Update Date : 2018/09/21 Print Date : 2022/03/31

No.	Part Number	Part Name (POL)	Part Name (ENG)	QTY	IC	Serial No./PIN	Kg	Remarks
010	16241-01750	MOTORHAKE N	HOOK,ENGIN E	1			0.080	
010	16241-01753	MOTORHAKE N	HOOK,ENGIN E	1	=		0.140	
020	16241-01770	MOTORHAKE N	HOOK,ENGIN E	1			0.175	
030	01123-50814	BOLZEN	BOLT,SEMS	2			0.010	
040	16052-03040	KOMP.ZYLIN DERKOPF	COMP.CYLI NDER HEAD	1		<=6V1007	12.000	
040	16052-03043	KOMP.ZYLIN DERKOPF	COMP.CYLI NDER HEAD	1	>>	>=6W0043	12.540	
040	1G077-03044	KOMP.ZYLIN DERKOPF	HEAD,CYL,C OMP	1	NI	>=7A0037	12.000	
050	15321-96260	KAPPE	CAP,SEALING	1			0.014	
060	15261-96010	STOPFEN	PLUG	2			0.002	
070	16261-13540	EINLASSVEN TILFUEHRUN G	GUIDE,INLET VALVE	4			0.020	
080	16261-13560	AUSLASSVEN TILFUEHRUN G	GUIDE,EXHA UST VALVE	4			0.019	
090	15261-03370	STOEPSEL,A BDICHTUNG	CAP,SEALING	3			0.005	
100	16241-03450	ZYLINDERKO PFSCHRAUB E	BOLT,HEAD (CYLINDER)	18			0.050	
110	16271-03310	ZYLINDERKO PFDICHTUNG	GASKET,CYLI NDER HEAD	1		<=5D0157	0.091	
110	1G078-03310	ZYLINDERKO PFDICHTUNG	GASKET,CYLI NDER HEAD	1	NI	>=5E0001	0.010	

Update Date : 2018/09/21 Print Date : 2022/03/31



1G078-004-10

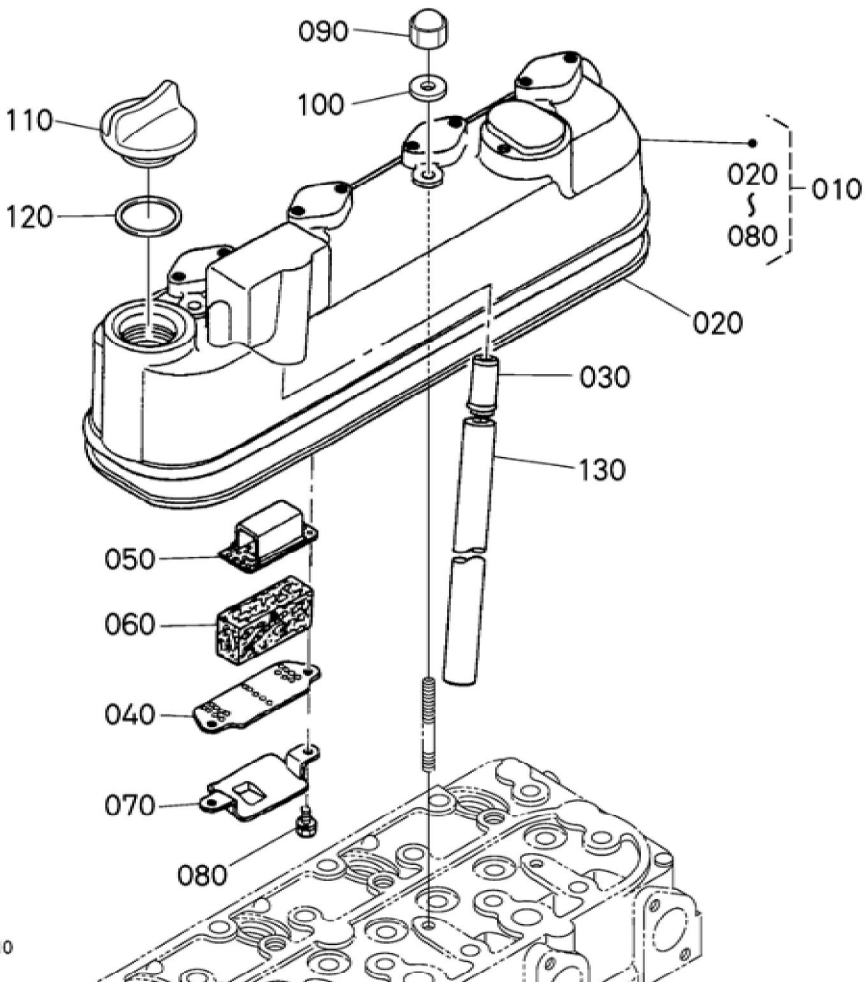
Update Date : 2018/09/21 Print Date : 2022/03/31

No.	Part Number	Part Name (POL)	Part Name (ENG)	QTY	IC	Serial No./PIN	Kg	Remarks
010	16251-04027	KMP.GETRIE BEGEHAEUS E	COMP.CASE, GEAR	1		<=5F0180	2.500	
010	16252-04022	KMP.GETRIE BEGEHAEUS E	COMP.CASE, GEAR	1	>>	=>5G0330	2.460	
020	16241-96020	STOPFEN	PLUG	2			0.015	
025	15521-96020	STOPFEN	PLUG	1			0.003	
030	04011-50180	SCHEIBE	WASHER, PLAIN	1			0.012	
040	15241-32290	VERBINDUNG SSTUECK	JOINT,PIPE	1			0.053	
050	16241-36950	FEDER	SPRING	1			0.015	
060	16241-36930	SITZ,VENTIL	SEAT,VALVE	1			0.032	
070	07715-00201	KUGEL	BALL	1			0.008	
080	16241-35070	ROTOR KOMP.	ASSY ROTOR,OIL PUMP	1			0.270	
085	16251-35130	DECKEL, OELPUMPE	COVER,OIL PUMP	1			0.090	
090	03017-50620	SCHRAUBE	SCREW,BINDI NG	5			0.005	
100	05012-00410	ZYLINDERSTI FT	PIN,STRAIGH T	2			0.001	
110	16264-04132	DICHTUNG	GASKET,GEA R CASE	1			0.010	
120	01023-50645	BOLZEN	BOLT	3			0.010	
130	01023-60650	BOLZEN	BOLT	4			0.015	
140	01023-50655	BOLZEN	BOLT	4			0.012	
150	01023-50665	BOLZEN	BOLT	1			0.015	
160	16241-91040	BOLZEN	BOLT	1			0.015	
170	16245-91530	STEBOLZEN	STUD	1			0.010	
180	02056-50060	MUTTER	HEX. NUT	1		<=7V3595	0.002	
180	02751-50060	MUTTER	NUT, FLANGE	1	NI	=>7W0006	0.005	
200	16259-04210	OELDICHTUN GSRING	SEAL,OIL	1			0.015	
230	16245-91540	STEBOLZEN	STUD	2			0.005	
250	58417-25950	GRP.GETRIE BEGEHAEUS E	ASSY GEAR CASE,H/M	1			0.290	
260	16264-88130	DICHTUNG	GASKET,H/M ETER UNIT	1			0.002	

Update Date : 2018/09/21 Print Date : 2022/03/31

No.	Part Number	Part Name (POL)	Part Name (ENG)	QTY	IC	Serial No./PIN	Kg	Remarks
270	01023-50618	BOLZEN	BOLT	2			0.006	

Update Date : 2018/09/21 Print Date : 2022/03/31



1G078-005-10



Download the full PDF manual instantly.

Our customer service e-mail:

aservicemanualpdf@yahoo.com