

BKIDK5115 >> MK5000DW >> MOTOR / ENGINE >> 000100 KURBELGEHAEUSE / CRANKCASE

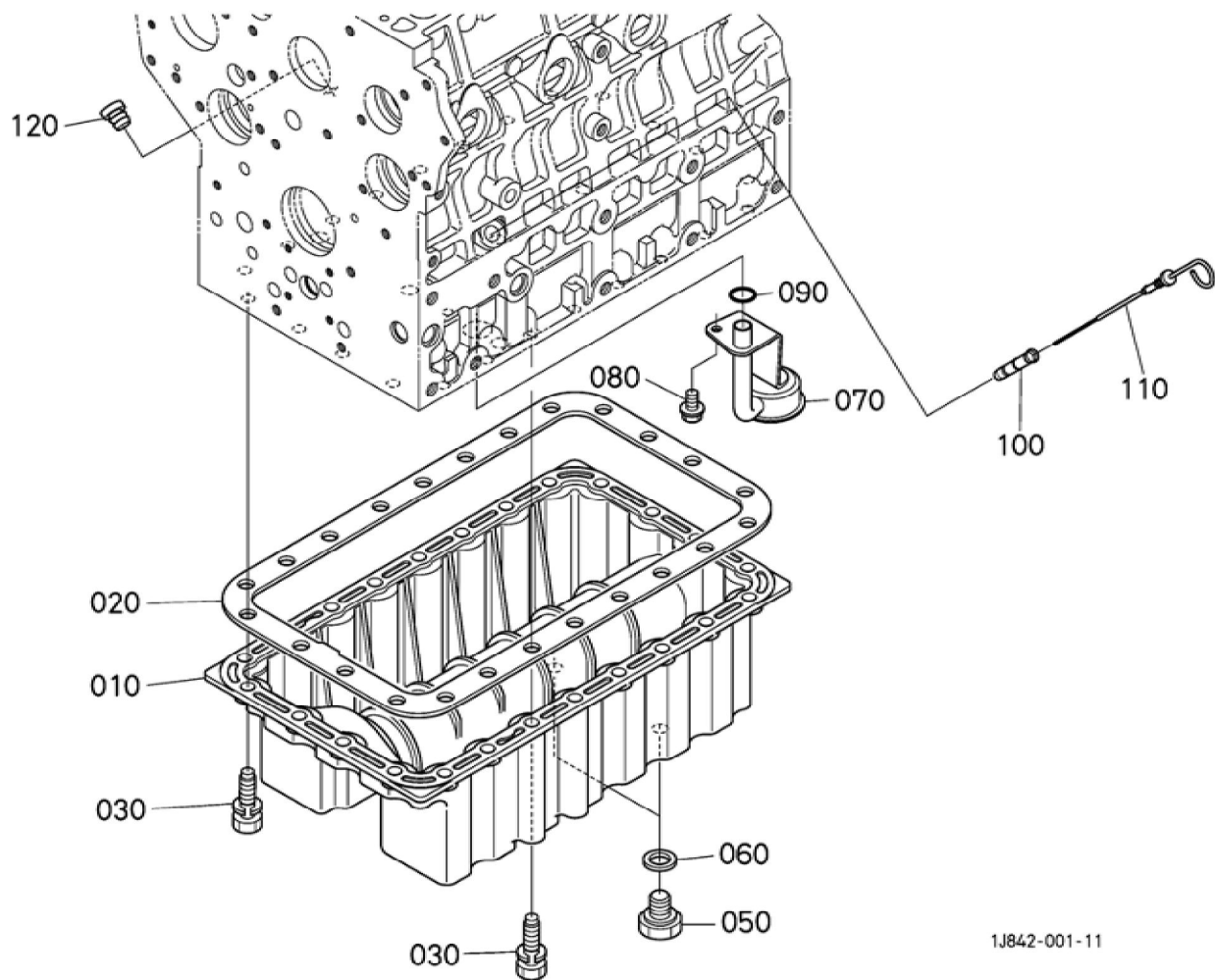
Update Date : 28-05-2020 Print Date : 11-03-2022

No.	Part Number	Part Name (POL)	Part Name (ENG)	QTY	IC	Serial No./PIN	Kg	Remarks
010	1A294-01010	KOMP.KURBELGEHAEUSE	CRANKCASE, COMP	1		<=7GMZ999	70.000	
010	1A294-01012	KOMP.KURBELGEHAEUSE	CRANKCASE, COMP	1	>>	>=7GN0001	64.000	
020	15521-96020	STOPFEN	PLUG	6			0.003	
030	15521-96030	STOPFEN	PLUG	2			0.007	
040	17391-96160	STOPFEN	PLUG,EXPANSION	3			0.003	
050	16271-96160	STOPFEN	PLUG,EXPANSION	1			0.025	
060	15221-03380	STOPFEN	CAP,SEALING	6			0.017	
070	15221-03390	STOPFEN	CAP,SEALING	2			0.030	
080	15261-03370	STOEPSEL,ABDICHTUNG	CAP,SEALING	1			0.005	
090	1A091-03380	STOPFEN	PLUG,WEIGHT SHAFT	2			0.005	
100	05012-00408	ZYLINDERSTIFT	PIN,STRAIGHT	2			0.001	
110	05012-00609	ZYLINDERSTIFT	PIN,STRAIGHT	3			0.003	
120	05012-00612	ZYLINDERSTIFT	PIN, STRAIGHT	2			0.003	
130	05012-01018	ZYLINDERSTIFT	PIN,STRAIGHT	1			0.012	
140	15221-33650	ROHRSTIFT	PIN,PIPE	1			0.004	
150	15321-73340	WASSERROHR	PIPE(WATER RETURN)	1			0.016	
155	1A091-26990	METALLTEIL	METAL (SHAFT,WEIGHT)	2			0.026	
160	1G425-26980	METALLTEIL	METAL (SHAFT,WEIGHT,2)	2			0.030	
170	1A091-26970	METALLTEIL	METAL (SHAFT,WEIGHT)	2			0.012	
180	1J860-33140	OELEINFUELLSSTOPFEN	PLUG,OIL FILLER	1			0.030	
190	1A021-33110	FLANSCH	FLANGE,OIL FILLER	1			0.070	

BKIDK5115 >> MK5000DW >> MOTOR / ENGINE >> 000100 KURBELGEHAEUSE / CRANKCASE

Update Date : 28-05-2020 Print Date : 11-03-2022

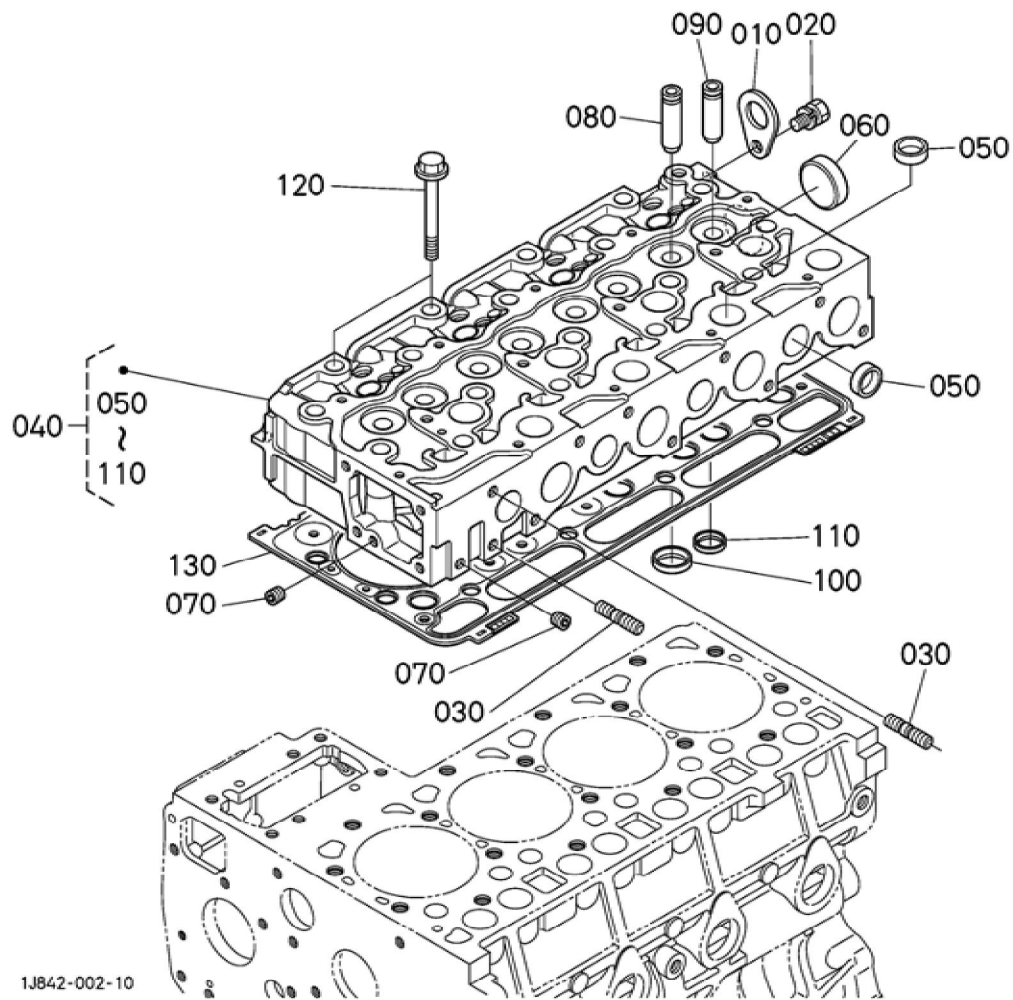
No.	Part Number	Part Name (POL)	Part Name (ENG)	QTY	IC	Serial No./PIN	Kg	Remarks
200	1A021-51660	DICHTUNGSP LATTE	GASKET, PUMP COVER	1		<=7HXZ999	0.003	
200	1A021-51663	DICHTUNGSP LATTE	GASKET, PUMP COVER	1	>>	>=7HY0001	0.003	
210	01023-50618	BOLZEN	BOLT,SEMS	2			0.006	
220	15471-35013	GRP.OELPUM PE	ASSY PUMP,OIL	1			0.550	
230	1A021-35150	DICHTUNGSP LATTE	GASKET,OIL PUMP	1			0.001	
240	01023-50650	BOLZEN	BOLT,SEMS	4			0.012	
250	17301-35663	ZAHNRAD	GEAR(OIL PUMP DRIVE)	1			0.215	
260	05712-00410	KEIL	KEY,FEATHE R	1			0.001	
270	15221-35682	MUTTER	NUT	1			0.014	
280	1A053-57482	HALTER	BRACKET,AC CEL.CABLE	1			0.077	
290	01023-50622	BOLZEN	BOLT,SEMS	2			0.005	



BKIDK5115 >> MK5000DW >> MOTOR / ENGINE >> 000200 OELWANNE / OIL PAN

Update Date : 28-05-2020 Print Date : 11-03-2022

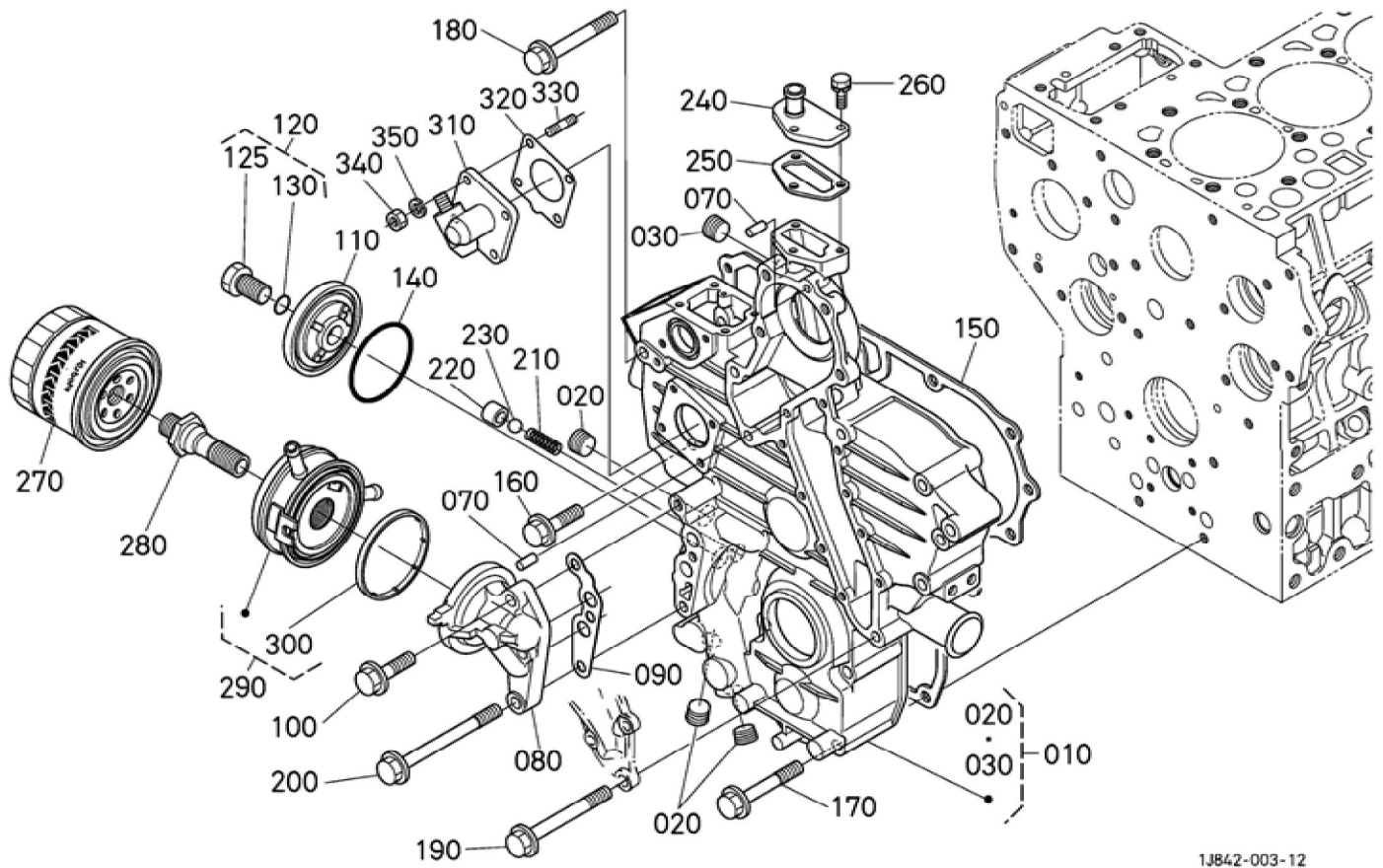
No.	Part Number	Part Name (POL)	Part Name (ENG)	QTY	IC	Serial No./PIN	Kg	Remarks
010	17341-01612	OELWANNE	OIL PAN	1		<=7KDZ999	4.000	
010	17341-01614	OELWANNE	OIL PAN	1	NI	>=7KE0001	4.100	
020	1A091-01620	DICHTUNG	GASKET,OIL PAN	1			0.018	
030	1A091-91010	BOLZEN	BOLT,SEMS	22		<=7KDZ999	0.025	
030	1A091-91010	BOLZEN	BOLT,SEMS	24		>=7KE0001	0.025	
050	16427-33750	ENTLEERUNGSSTOPFEN	PLUG,DRAIN	2			0.030	
060	6C090-58960	DICHTUNGSPLATTE	GASKET	2			0.005	
070	15411-32110	OELFILTER	FILTER(OIL)	1		<=7KDZ999	0.240	
070	1J854-32110	KRAFTSTOFFFILTER	FILTER(OIL,1)	1	NI	>=7KE0001	0.250	
080	01754-50812	SCHRAUBE	BOLT,FLANGE	1			0.008	
090	04817-00160	O RING	O RING	1			0.001	
100	17456-36420	FUEHRUNG, OELMESSSTAB	GUIDE (GAUGE,OIL)	1			0.030	
110	1J854-36412	OELMESSSTAB	GAUGE,OIL	1			0.026	
120	1G513-36550	STOPFEN, OELMESSSTAB	PLUG,OIL GAUGE	1			0.004	



BKIDK5115 >> MK5000DW >> MOTOR / ENGINE >> 000300 ZYLINDERKOPF / CYLINDER HEAD

Update Date : 28-05-2020 Print Date : 11-03-2022

No.	Part Number	Part Name (POL)	Part Name (ENG)	QTY	IC	Serial No./PIN	Kg	Remarks
010	15221-01750	MOTORHAKE N	HOOK,ENGIN E	1			0.040	
020	01123-50816	SCHRAUBE	BOLT,SEMS	1			0.011	
030	15471-91530	STEBOLZEN	BOLT,STUD	2			0.010	
040	1G850-03043	KOMP.ZYLIN DERKOPF	COMP.CYLIN DER HEAD	1		<=7JFZ999	19.100	
040	1J842-03040	ZYLINDERKO PF,KOMP.	HEAD,CYLIN DER,COMP	1	>>	>=7JG0001	18.500	
050	15221-03370	STOPFEN	PLUG,CUP TYPE	12			0.010	
060	15221-03490	STOPFEN	CAP,SEALING	1			0.020	
070	15261-96010	STOPFEN	PLUG	2			0.002	
080	1G896-13580	EINLASSVEN TILFUEHRUN G	GUIDE,VALVE ,INLET	4		<=7JVZ999	0.020	
080	1J829-13580	VENTILFUEH RUNG	GUIDE,VALVE (INLET)	4	>>	>=7JW0001	0.020	
090	1C010-13560	AUSLASSVEN TILFUEHRUN G	GUIDE,EXHA UST VALVE	4		<=7JVZ999	0.025	
090	1J829-13560	VENTILFUEH RUNG	GUIDE,VALVE (EXHAUST)	4	>>	>=7JW0001	0.020	
100	17111-13620	VENTILSITZ	SEAT,INLET VALVE	4			0.010	
110	17111-13612	SITZ,AUSLAS SVENTIL	SEAT,EXHAU ST VALVE	4			0.007	
120	19013-03450	ZYLINDERKO PFSCHRAUB E	BOLT,HEAD (CYLINDER)	18			0.077	
130	1G790-03312	ZYLINDERKO PFDICHTUNG	GASKET,CYL. HEAD	1			0.290	1.20mm
130	1G790-03602	ZYLINDERKO PFDICHTUNG	GASKET,CYL. HEAD	1			0.275	1.15mm
130	1G790-03612	ZYLINDERKO PFDICHTUNG	GASKET,CYL. HEAD	1			0.300	1.25mm
130	1G790-03622	ZYLINDERKO PFDICHTUNG	GASKET,CYL. HEAD	1			0.315	1.30mm
130	1G790-03632	ZYLINDERKO PFDICHTUNG	GASKET,CYL. HEAD	1			0.330	1.35mm



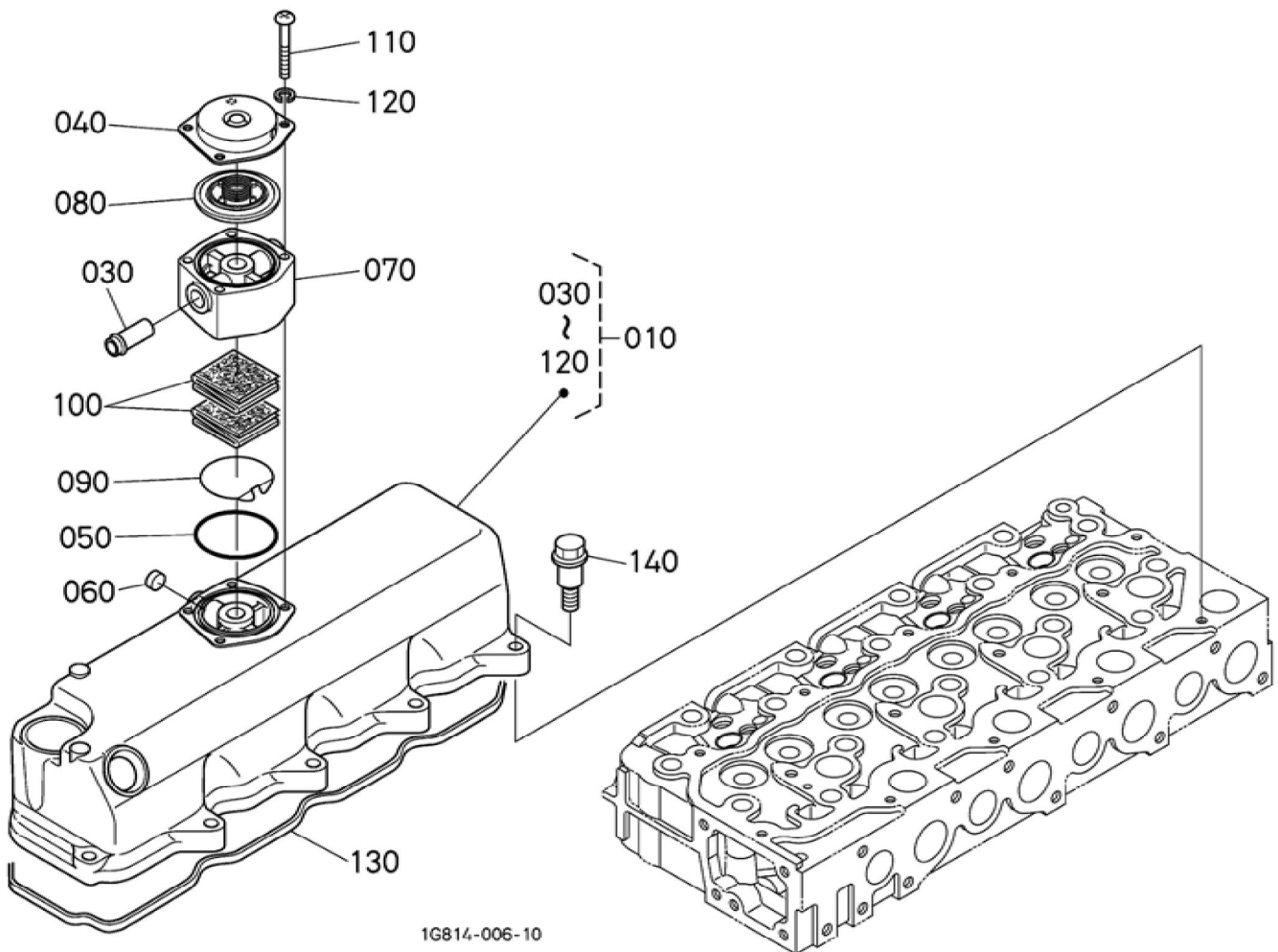
BKIDK5115 >> MK5000DW >> MOTOR / ENGINE >> 000400 GETRIEBEGHAEUSE / GEAR CASE

Update Date : 28-05-2020 Print Date : 11-03-2022

No.	Part Number	Part Name (POL)	Part Name (ENG)	QTY	IC	Serial No./PIN	Kg	Remarks
010	1A107-04023	KMP.GETRIEBEGHAEUSE	COMP.CASE, GEAR	1			4.300	
020	16241-96020	STOPFEN	PLUG	3			0.015	
030	1A021-96020	STOPFEN	PLUG	1			0.020	
070	05012-00612	ZYLINDERSTIFT	PIN, STRAIGHT	2			0.003	
080	1G742-32615	HALTER, OELFILTER	BASE,OIL FILTER	1			0.245	
090	1J860-32620	DICHTUNGSPLATTE	GASKET(OIL FILTER BASE)	1			0.002	
100	01754-50830	SCHRAUBE	BOLT,FLANGE	2			0.016	
110	17331-32880	DECKEL	COVER	1			0.075	
120	17331-32910	KOMP.BOLZEN	BOLT,COMP	1			0.070	
125	17331-32900	BOLZEN	BOLT	1			0.060	
130	04817-00150	O RING	O RING	1			0.001	
140	19202-96830	O RING	O RING	1			0.010	
150	1G896-04130	DICHTUNG	GASKET,GEAR CASE	1			0.060	
160	01754-50830	SCHRAUBE	BOLT,FLANGE	1			0.016	
170	1A021-91030	SCHRAUBE	BOLT,SEMS	7			0.030	
180	01754-50875	SCHRAUBE	BOLT,FLANGE	2			0.030	
190	01754-50885	SCHRAUBE	BOLT,FLANGE	3			0.032	
200	1A021-91040	SCHRAUBE	BOLT	1			0.045	
210	15241-36950	FEDER	SPRING	1			0.004	
220	15521-36930	SITZ,VENTIL	SEAT,VALVE	1			0.015	
230	07715-03213	KUGEL	BALL	1			0.004	
240	15521-73320	FLANSCH	FLANGE,WATER RETURN	1			0.040	
250	1A021-73332	DICHTUNGSPLATTE	GASKET (RETURN FLANGE)	1			0.001	
260	01023-50620	BOLZEN	BOLT,SEMS	3			0.006	
270	HH164-32430	OELFILTERPATRONE	FILTER (CARTRIDGE, OIL)	1			0.500	

Update Date : 28-05-2020 Print Date : 11-03-2022

No.	Part Number	Part Name (POL)	Part Name (ENG)	QTY	IC	Serial No./PIN	Kg	Remarks
280	1G622-37084	ANSCHLUBE	CONNECTOR	1			0.145	
290	1G896-37012	GRP.OELKUEHLER	COOLER,OIL, ASSY	1			0.550	
300	1G896-37072	DICHTUNGSPLATTE	PACKING	1			0.005	
310	1J854-83300	GEHAEUSE, BETRIEBSSTUNDENZAehler	METER, HOUR	1		<=7HKZ999	0.180	
310	1J854-83302	GEHAEUSE, BETRIEBSSTUNDENZAehler	CASE, GEAR, ASSY(HOUR METER)	1	>>	>=7HL0001	0.180	
320	1G751-88130	DICHTUNG	GASKET (H/METER)	1			0.001	
330	15221-88210	STEBOLZEN	BOLT, STUD	4			0.005	
340	02056-50060	MUTTER	HEX.NUT	4			0.002	
350	04512-50060	FEDERRING	WASHER, SPRING LOCK	4			0.001	





Download the full PDF manual instantly.

Our customer service e-mail:

aservicemanualpdf@yahoo.com