

1J597-002-12

BKIDK0647 >> M8540DTHNB >> MOTOR / ENGINE >> 200000 KURBELGEHAEUSE / CRANKCASE

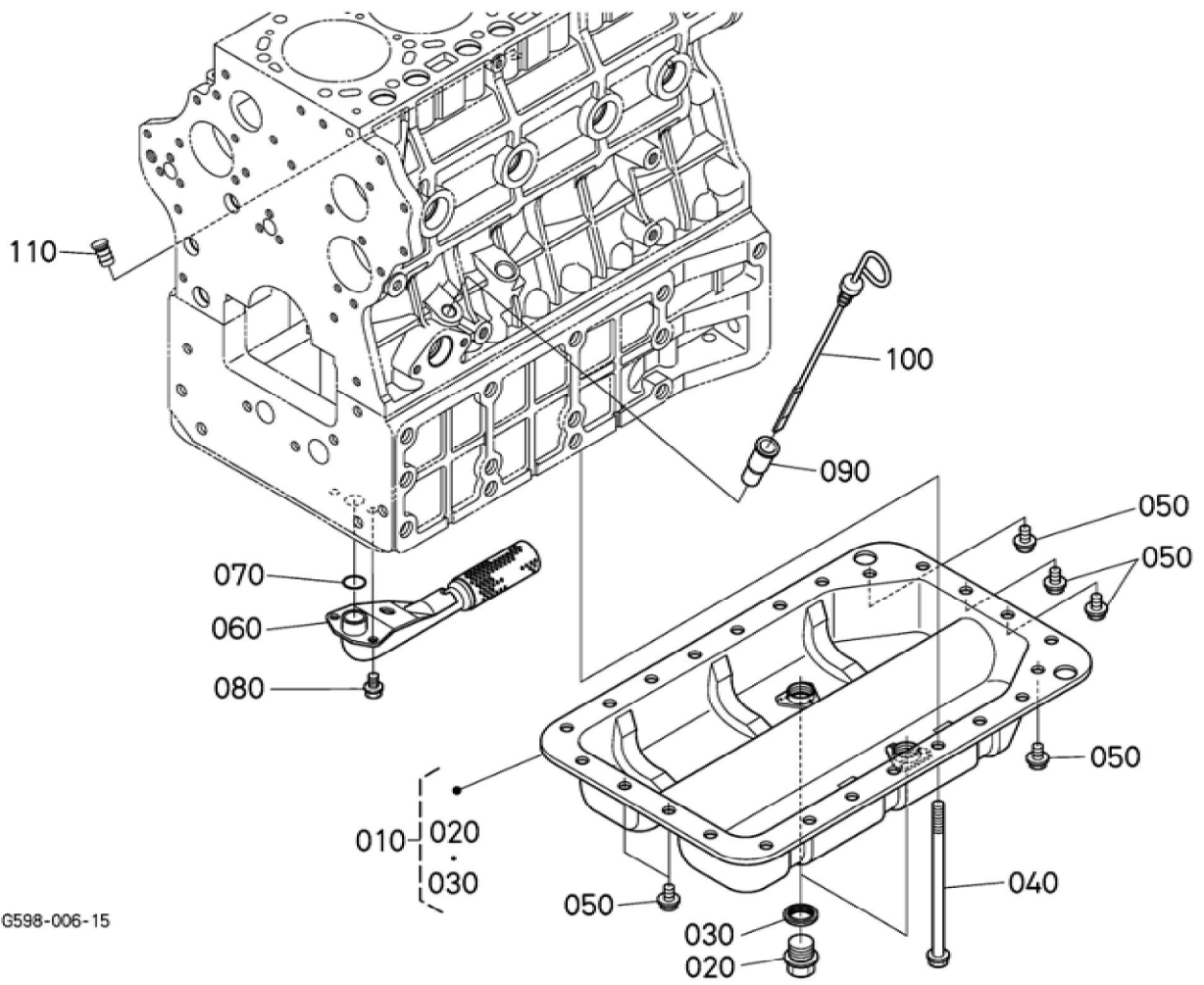
Update Date : 2020/01/17 Print Date : 2022/04/13

| No. | Part Number | Part Name (POL) | Part Name (ENG) | QTY | IC | Serial No./PIN | Kg | Remarks |
|-----|-------------|----------------------|-------------------|-----|----|----------------|--------|--|
| 010 | 1J597-01010 | KOMP.KURBELGEHAEUSE | COMP.CRANKCASE | 1 | | <=2DFZ999 | 72.000 | |
| 010 | 1J597-01014 | KOMP.KURBELGEHAEUSE | COMP.CRANKCASE | 1 | >> | >=2DG0001 | 72.000 | |
| 020 | 15521-96020 | STOPFEN | PLUG | 2 | | <=BG3249 | 0.003 | |
| 020 | 15521-96020 | STOPFEN | PLUG | 3 | | >=BJ0001 | 0.003 | |
| 030 | 1C010-96010 | STOPFEN | PLUG | 1 | | | 0.012 | |
| 040 | 16683-96020 | STOPFEN | PLUG | 1 | | | 0.088 | |
| 050 | 15261-03370 | STOEPSEL,ABDICHTUNG | CAP,SEALING | 4 | | | 0.005 | |
| 060 | 15221-03380 | STOPFEN | CAP,SEALING | 5 | | | 0.017 | |
| 065 | 15221-03380 | STOPFEN | CAP,SEALING | 2 | | | 0.017 | |
| 070 | 15221-03390 | STOPFEN | CAP,SEALING | 1 | | | 0.030 | |
| 080 | 1C010-96160 | STOPFEN | PLUG,EXPANSION | 1 | | | 0.050 | |
| 090 | 05012-00820 | ZYLINDERSTIFT | PIN,STRAIGHT | 1 | | | 0.008 | |
| 100 | 05012-01016 | ZYLINDERSTIFT | PIN STRAIGHT | 2 | | | 0.010 | |
| 110 | 15221-33650 | ROHRSTIFT | PIN,PIPE | 2 | | | 0.004 | |
| 120 | 1C010-33640 | STIFT | PIN,GEAR CASE | 1 | | <=9Y2374 | 0.019 | |
| 120 | 1C010-33643 | STIFT | PIN,STRAIGHT | 1 | >> | >=AA0001 | 0.019 | |
| 130 | 1C010-04560 | BOLZEN | BOLT,BEARING CASE | 10 | | | 0.130 | |
| 140 | 1G513-36550 | STOPFEN, OELMESSSTAB | PLUG,OIL GAUGE | 1 | | | 0.004 | |
| 150 | 1C040-33212 | STIFT | PIPE,OIL | 1 | | | 0.025 | |
| 155 | 1J574-71363 | ROHRSCHALTUNG | JOINT,PIPE | 1 | | <=8S4317 | 0.210 | BESTELLEN SIE BITTE POS.155 NEUE TEILE |
| 155 | 1J550-71350 | ROHRSCHALTUNG | JOINT,PIPE | 1 | >> | >=8U0001 | 0.100 | BESTELLEN SIE BITTE POS.155 NEUE TEILE |
| 155 | 1J550-71352 | ROHRSCHALTUNG | JOINT,PIPE | 1 | >> | >=9E0001 | 0.100 | |

BKIDK0647 >> M8540DTHNB >> MOTOR / ENGINE >> 200000 KURBELGEHAEUSE / CRANKCASE

Update Date : 2020/01/17 Print Date : 2022/04/13

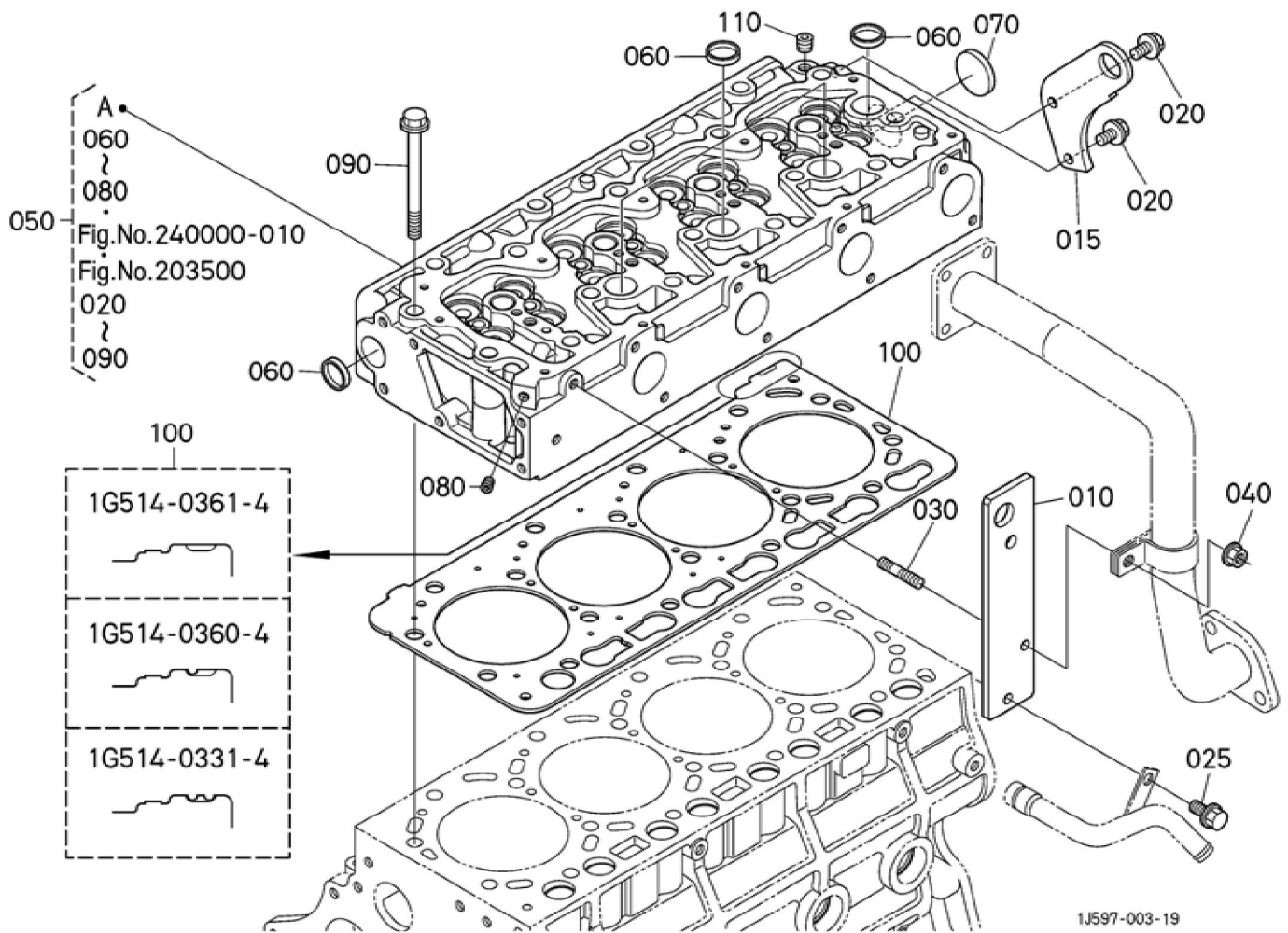
| No. | Part Number | Part Name (POL) | Part Name (ENG) | QTY | IC | Serial No./PIN | Kg | Remarks |
|-----|-------------|----------------------------|---------------------------------|-----|----|----------------|--------|---------|
| 160 | 1C010-37114 | ADAPTER, WASSERROH R | JOINT,WATE R PIPE | 1 | | | 0.020 | |
| 170 | 06311-55030 | STOPFEN | PLUG | 1 | | | 0.050 | |
| 180 | 04724-00170 | DICHTUNGSP LATTE | GASKET | 1 | | | 0.005 | |
| 190 | 1C012-01120 | KURBELGHA EUSE | CRANKCASE | 1 | | <=2DFZ999 | 44.050 | |
| 190 | 1C012-01124 | KURBELGHA EUSE | CRANKCASE | 1 | >> | >=2DG0001 | 44.050 | |
| 200 | 1C010-33650 | STIFT | PIN,STRAIGH T (CASE,GEAR) | 1 | | <=AE2566 | 0.037 | |
| 200 | 1C010-33653 | STIFT | PIN,STRAIGH T | 1 | >> | >=AG0001 | 0.037 | |
| 205 | 1C011-94510 | ZYLINDERSTI FT | PIN,STRAIGH T | 2 | | | 0.040 | |
| 210 | 1C010-33080 | BLINDSTOPF EN | ASSY PLUG,O/FILL ER | 1 | | | 0.018 | |
| 220 | E9151-33140 | OELEINFUEL LSTOPFEN | PLUG(OIL FILLER) | 1 | | | 0.017 | |
| 230 | 04817-50300 | O RING | O RING | 1 | | | 0.001 | |
| 240 | 15602-33110 | EINFUELLFLA NSCH | FLANGE,OIL FILLER | 1 | | | 0.100 | |
| 250 | 15625-32890 | DICHTUNGSP LATTE | GASKET | 1 | | | 0.001 | |
| 260 | 01754-50820 | SCHRAUBE | BOLT,FLANG E | 2 | | | 0.015 | |
| 270 | 1C011-91012 | SCHRAUBE | BOLT,FLANG E | 2 | | | 0.100 | |



BKIDK0647 >> M8540DTHNB >> MOTOR / ENGINE >> 201000 OELWANNE / OIL PAN

Update Date : 2020/01/17 Print Date : 2022/04/13

| No. | Part Number | Part Name (POL) | Part Name (ENG) | QTY | IC | Serial No./PIN | Kg | Remarks |
|-----|-------------|------------------------------|--------------------|-----|----|----------------|-------|---------|
| 010 | 1G511-01605 | KOMP. OELWANNE | PAN,OIL,KIT | 1 | | | 2.430 | |
| 020 | 15707-33750 | ENTLEERUN GSSTOPFEN | PLUG(DRAIN) | 2 | | | 0.095 | |
| 030 | 16265-96670 | DICHTUNG | PACKING | 2 | | | 0.010 | |
| 040 | 1C011-91012 | SCHRAUBE | BOLT,FLANG E | 18 | | | 0.100 | |
| 050 | 1C010-91100 | BOLZEN | BOLT,OILPAN | 6 | | | 0.020 | |
| 060 | 1C011-32110 | OELFILTER | FILTER(OIL) | 1 | | | 0.280 | |
| 070 | 04814-00220 | O RING | O RING | 1 | | | 0.001 | |
| 080 | 01754-50814 | SCHRAUBE | BOLT,FLANG E | 2 | | <=AQ2757 | 0.012 | |
| 080 | 01754-50812 | SCHRAUBE | BOLT,FLANG E | 2 | >> | >=AS0001 | 0.008 | |
| 090 | 1C010-36422 | FUEHRUNG, OELMESSST AB | GUIDE,OIL GAUGE | 1 | | | 0.014 | |
| 100 | 1C010-36412 | OELMESSST AB | GAUGE,OIL | 1 | | | 0.040 | |
| 110 | 1G513-36550 | STOPFEN, OELMESSST AB | PLUG,OIL GAUGE | 1 | | | 0.004 | |



BKIDK0647 >> M8540DTHNB >> MOTOR / ENGINE >> 202000 ZYLINDERKOPF / CYLINDER HEAD

Update Date : 2020/01/17 Print Date : 2022/04/13

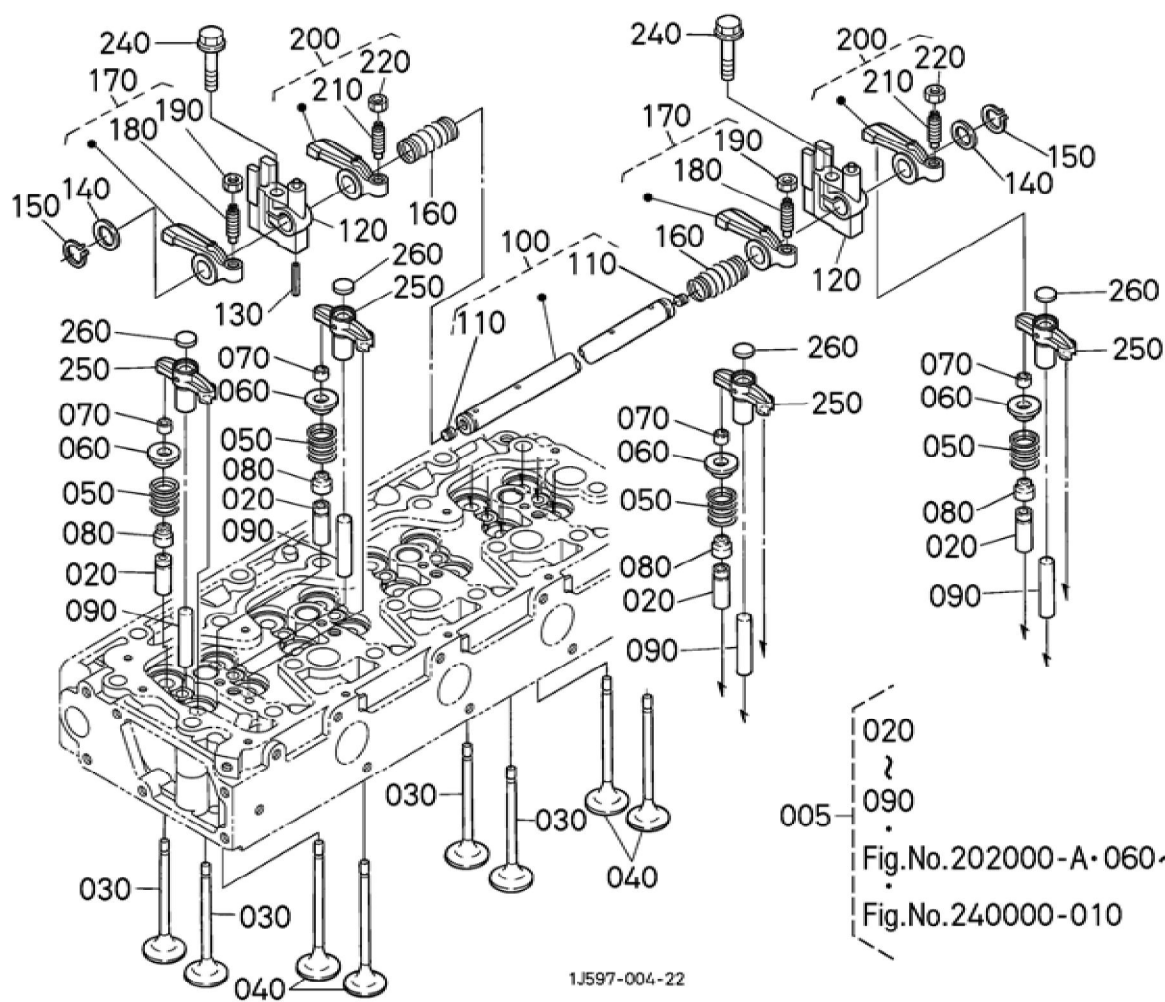
| No. | Part Number | Part Name (POL) | Part Name (ENG) | QTY | IC | Serial No./PIN | Kg | Remarks |
|-----|-------------|------------------------------|--------------------------|-----|----|----------------|--------|--------------------------|
| 010 | 1J574-01740 | MOTORAUFH AENGUNG | HOOK,ENGIN E | 1 | | <=9N1404 | 0.430 | |
| 010 | 1J574-01743 | MOTORAUFH AENGUNG | HOOK,ENGIN E | 1 | NI | >=9Q0001 | 0.430 | |
| 015 | 15471-01740 | MOTORHAKE N | HOOK,ENGIN E | 1 | | | 0.180 | |
| 020 | 01754-50814 | SCHRAUBE | BOLT,FLANG E | 2 | | | 0.012 | |
| 025 | 01754-50818 | SCHRAUBE | BOLT,FLANG E | 1 | | <=CFZ999 | 0.011 | |
| 025 | 1J500-91020 | SCHRAUBE | BOLT,FLANG E | 1 | >> | >=CG0001 | 0.012 | |
| 030 | 15221-91530 | STEBBOLZEN | BOLT,STUD | 1 | | <=CDZ999 | 0.011 | |
| 030 | 1J542-91632 | STEBBOLZEN | STUD | 1 | >> | >=CE0001 | 0.011 | |
| 040 | 02751-50080 | MUTTER | NUT,FLANGE | 1 | | | 0.006 | |
| 050 | 1C020-03027 | GRP.ZYLINDE RKOPF | HEAD,CYL,AS SY | 1 | | <=AG2611 | 26.000 | |
| 050 | 1C020-03029 | GRP.ZYLINDE RKOPF | ASSY CYLINDER HEAD | 1 | >> | >=AJ0001 | 26.000 | |
| 050 | 1C050-03020 | GRP.ZYLINDE RKOPF | HEAD,CYLIN DER,ASSY | 1 | >> | >=2EN0001 | 25.000 | |
| 060 | 15221-03370 | STOPFEN | PLUG,CUP TYPE | 5 | | | 0.010 | |
| 070 | 15221-03490 | STOPFEN | CAP,SEALING | 1 | | | 0.020 | |
| 080 | 15521-96020 | STOPFEN | PLUG | 1 | | | 0.003 | |
| 090 | 1C010-03450 | ZYLINDERKO PFSCHRAUB E | BOLT,CYLIND ER HEAD | 18 | | | 0.100 | |
| 100 | 1G514-03310 | ZYLINDERKO PFDICHTUNG | GASKET,CYLI NDER HEAD | 1 | | <=CHZ999 | 0.230 | STD/ 2 KERBEN |
| 100 | 1G514-03313 | ZYLINDERKO PFDICHTUNG | GASKET (HEAD,CYL) | 1 | >> | >=CJ0001 | 0.230 | STD/ 2 KERBEN |
| 100 | 1G514-03314 | ZYLINDERKO PFDICHTUNG | GASKET,CYL. HEAD | 1 | >> | >=2DC0001 | 0.230 | STD/ 2 KERBEN |
| 100 | 1G514-03602 | ZYLINDERKO PFDICHTUNG | GASKET,CYL. HEAD | 1 | | <=CHZ999 | 0.260 | VERWENDUN G / 1 KERBE |
| 100 | 1G514-03603 | ZYLINDERKO PFDICHTUNG | GASKET (HEAD,CYL) | 1 | >> | >=CJ0001 | 0.260 | VERWENDUN G / 1 KERBE |

BKIDK0647 >> M8540DTHNB >> MOTOR / ENGINE >> 202000 ZYLINDERKOPF / CYLINDER HEAD

Update Date : 2020/01/17 Print Date : 2022/04/13

| No. | Part Number | Part Name (POL) | Part Name (ENG) | QTY | IC | Serial No./PIN | Kg | Remarks |
|-----|-------------|--------------------------|----------------------|-----|----|----------------|-------|---------------------------------|
| 100 | 1G514-03604 | ZYLINDERKO PFDICHTUNG | GASKET,CYL. HEAD | 1 | >> | >=2DC0001 | 0.260 | VERWENDUN G / 1 KERBE |
| 100 | 1G514-03612 | ZYLINDERKO PFDICHTUNG | GASKET,CYL. HEAD | 1 | | <=CHZ999 | 0.270 | VERWENDUN G / KEINE KERBE |
| 100 | 1G514-03613 | ZYLINDERKO PFDICHTUNG | GASKET (HEAD,CYL) | 1 | >> | >=CJ0001 | 0.270 | VERWENDUN G / KEINE KERBE |
| 100 | 1G514-03614 | ZYLINDERKO PFDICHTUNG | GASKET,CYL. HEAD | 1 | >> | >=2DC0001 | 0.270 | VERWENDUN G / KEINE KERBE |
| 110 | 15841-96020 | STOPFEN | PLUG | 1 | | | 0.020 | |

Update Date : 2020/01/17 Print Date : 2022/04/13

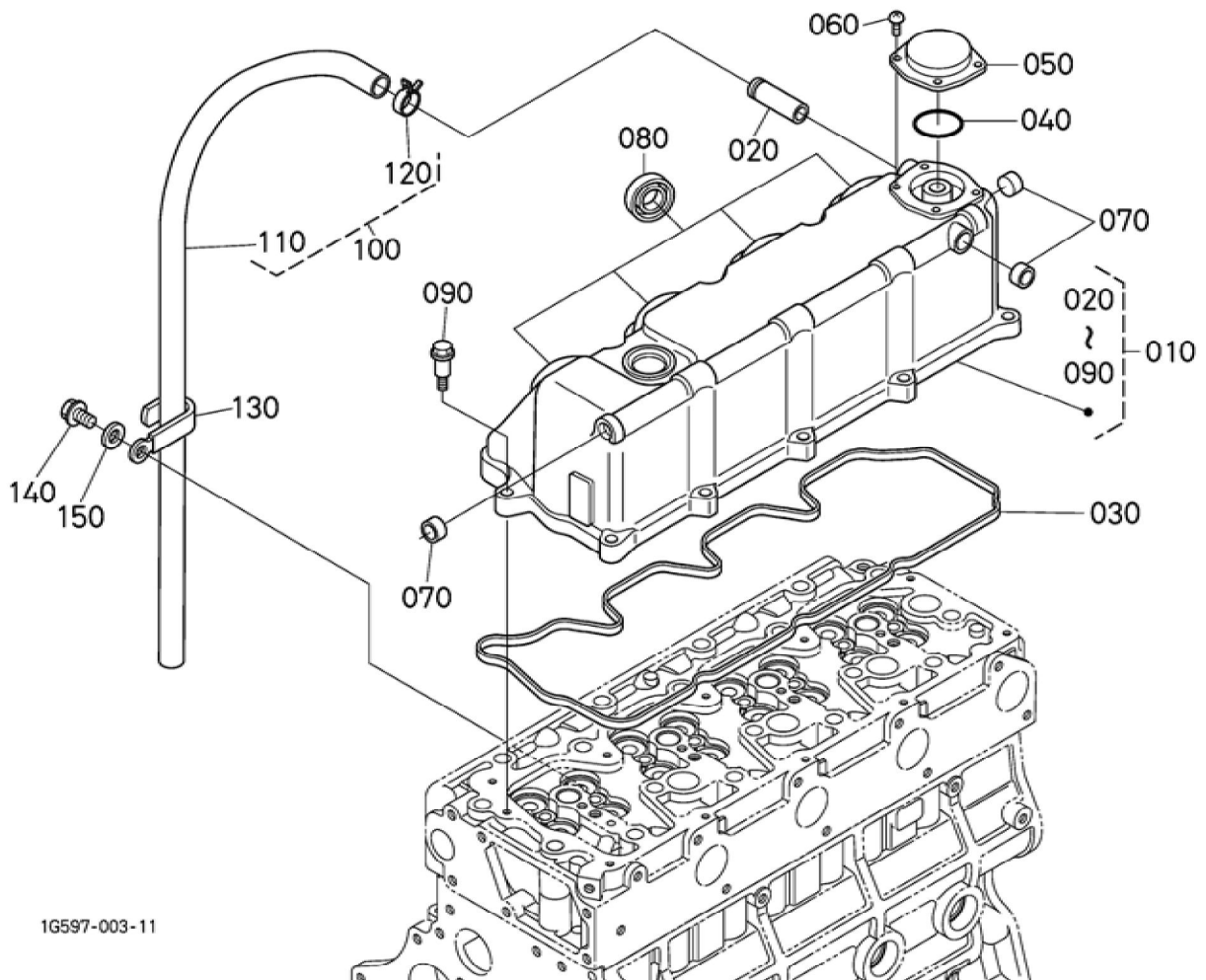


Update Date : 2020/01/17 Print Date : 2022/04/13

| No. | Part Number | Part Name (POL) | Part Name (ENG) | QTY | IC | Serial No./PIN | Kg | Remarks |
|-----|-------------|-----------------------|-----------------------|-----|----|----------------|--------|---------|
| 005 | 1C020-03027 | GRP.ZYLINDERKOPF | HEAD,CYLINDER ASSY | 1 | | <=AG2611 | 26.000 | |
| 005 | 1C020-03029 | GRP.ZYLINDERKOPF | ASSY CYLINDER HEAD | 1 | >> | >=AJ0001 | 26.000 | |
| 005 | 1C050-03020 | GRP.ZYLINDERKOPF | HEAD,CYLINDER,ASSY | 1 | >> | >=2EN0001 | 25.000 | |
| 020 | 16261-13560 | AUSLASSVENTILFUEHRUNG | GUIDE,EXHAUST VALVE | 8 | | <=AJ2770 | 0.019 | |
| 020 | 16261-13560 | AUSLASSVENTILFUEHRUNG | GUIDE,EXHAUST VALVE | 16 | | >=AL0001 | 0.019 | |
| 030 | 1C020-13112 | EINLASSVENTIL | VALVE,INLET | 8 | | | 0.050 | |
| 040 | 1C020-13122 | AUSLASSVENTIL | VALVE,EXHAUST | 8 | | | 0.050 | |
| 050 | 1C010-13240 | VENTILFEDER | SPRING,VALVE | 16 | | | 0.020 | |
| 060 | 16261-13330 | HALTER,VENTILFEDER | RETAINER,VALVE SP. | 16 | | | 0.015 | |
| 070 | 15261-13980 | KLEMMSCHEIBE | COLLET (VALVE SPRING) | 16 | | | 0.002 | SET |
| 080 | 1C010-13150 | VENTILDICHTUNG | SEAL,VALVE STEM | 16 | | | 0.002 | |
| 090 | 1C010-13482 | VENTILFUEHRUNG | SHAFT,VALVE BURIGE | 8 | | | 0.020 | |
| 100 | 1C020-14050 | GRP.KIPPHEBELACHSE | ASSY SHAFT,ROCKER ARM | 1 | | | 0.500 | |
| 110 | 03410-50808 | SCHRAUBE | SCREW,SLOTTED | 2 | | | 0.002 | |
| 120 | 1C020-14350 | KIPPHEBELHALTER | BRACKET,ROCKER ARM | 4 | | <=9W2072 | 0.070 | |
| 120 | 1C020-14352 | KIPPHEBELHALTER | BRACKET,ROCKER ARM | 4 | >> | >=9Y0001 | 0.070 | |
| 130 | 05411-00528 | STIFT | SPRING PIN | 1 | | | 0.003 | |
| 140 | 1C010-14430 | SCHEIBE | WASHER | 2 | | | 0.002 | |
| 150 | 04612-00160 | SPRENGRING, AUSSEN | CIR-CLIP, EXTERNAL | 2 | | | 0.001 | |
| 160 | 1C020-14310 | FEDER | SPRING (ROCKER ARM) | 3 | | | 0.010 | |

Update Date : 2020/01/17 Print Date : 2022/04/13

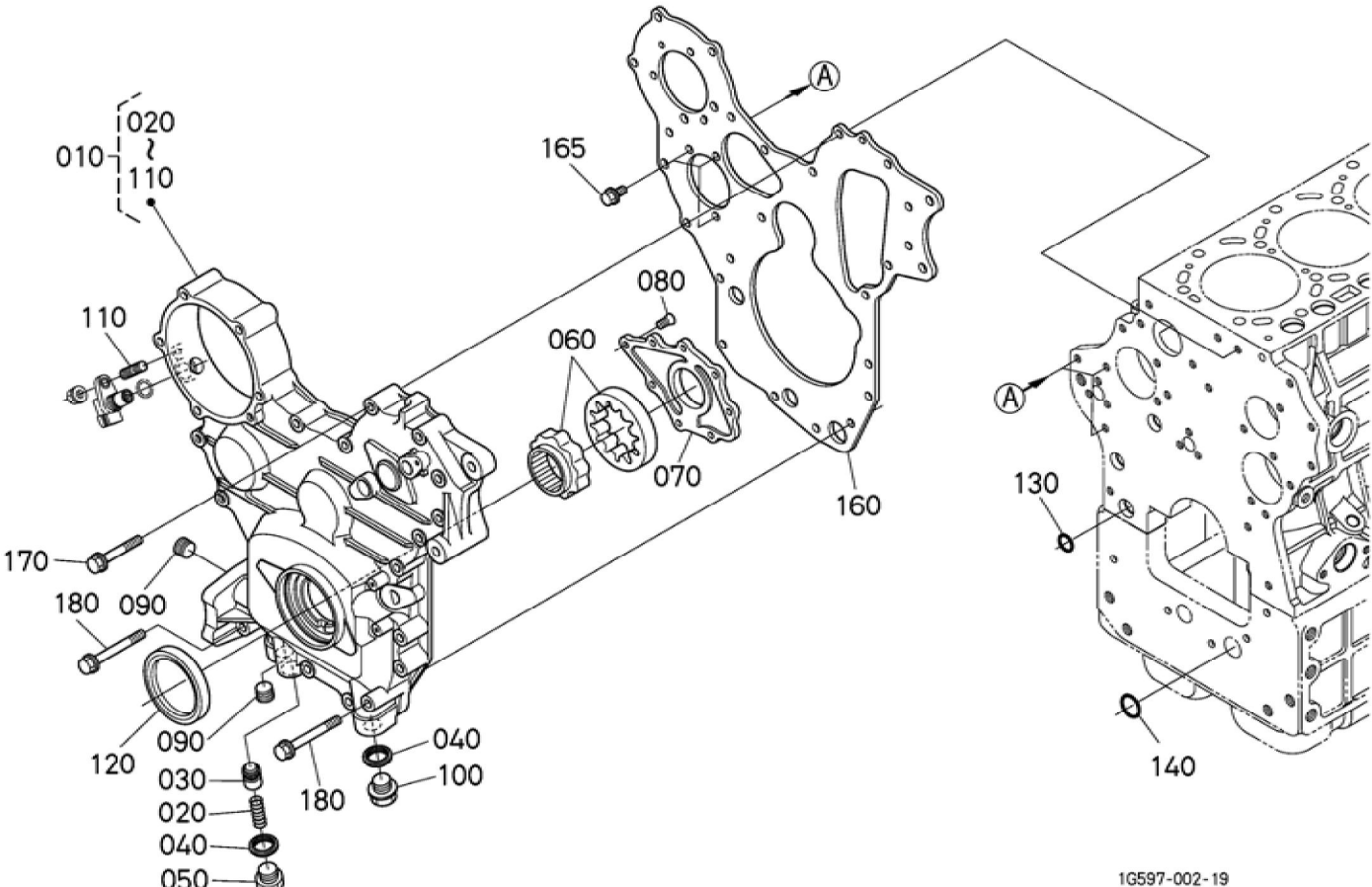
| No. | Part Number | Part Name (POL) | Part Name (ENG) | QTY | IC | Serial No./PIN | Kg | Remarks |
|-----|-------------|-----------------|----------------------|-----|----|----------------|-------|---------|
| 170 | 1C020-14020 | SCHWINGHEBEL | ASSY ROCKER ARM,IN. | 4 | | <=2DTZ999 | 0.130 | |
| 170 | 1C020-14023 | SCHWINGHEBEL | ASSY ROCKER ARM,IN. | 4 | >> | >=2DU0001 | 0.130 | |
| 180 | 15521-14230 | STELLSCHRAUBE | SCREW,ADJUSTING | 4 | | <=BVZ999 | 0.009 | |
| 180 | 1G896-14230 | STELLSCHRAUBE | SCREW | 4 | >> | >=BW0001 | 0.010 | |
| 190 | 15021-14240 | MUTTER | NUT | 4 | | | 0.003 | |
| 200 | 1C020-14150 | SCHWINGHEBEL | ASSY ROCKER ARM,EXH. | 4 | | <=BVZ999 | 0.130 | |
| 200 | 1C020-14153 | SCHWINGHEBEL | ASSY ROCKER ARM,EXH. | 4 | >> | >=BW0001 | 0.130 | |
| 210 | 15521-14230 | STELLSCHRAUBE | SCREW,ADJUSTING | 4 | | <=BVZ999 | 0.009 | |
| 210 | 1G896-14230 | STELLSCHRAUBE | SCREW | 4 | >> | >=BW0001 | 0.010 | |
| 220 | 15021-14240 | MUTTER | NUT | 4 | | | 0.003 | |
| 240 | 01774-51060 | SCHRAUBE | BOLT,FLANGE | 4 | | | 0.040 | |
| 250 | 1C020-13463 | HUBARM, VENTIL | ARM,VALVE BURI. | 8 | | | 0.062 | |
| 260 | 1C010-13490 | PUFFER | PAD | 8 | | | 0.003 | |



BKIDK0647 >> M8540DTHNB >> MOTOR / ENGINE >> 205000 VENTILDECKEL / HEAD COVER

Update Date : 2020/01/17 Print Date : 2022/04/13

| No. | Part Number | Part Name (POL) | Part Name (ENG) | QTY | IC | Serial No./PIN | Kg | Remarks |
|-----|-------------|----------------------|---------------------------|-----|----|----------------|-------|---------|
| 010 | 1C055-14502 | VENTILDECKEL | COVER,ASSY (HEAD,CYL) | 1 | | <=2DTZ999 | 2.000 | |
| 010 | 1C055-14504 | VENTILDECKEL | ASSY COVER,CYL. HEAD | 1 | >> | >=2DU0001 | 2.000 | |
| 020 | 16241-05550 | VERBINDUNG | JOINT,BREATHER PIPE | 1 | | | 0.020 | |
| 030 | 1C020-14520 | VENTILDECKELDICHUNG | GASKET,HEAD COVER | 1 | | | 0.054 | |
| 040 | 1A021-05430 | O RING | O RING,BREATHER | 1 | | | 0.001 | |
| 050 | 1G742-05120 | ENTLUEFTERDECKEL | COVER,BREATH ER | 1 | | | 0.035 | |
| 060 | 03054-50508 | SCHRAUBE | SCREW,PAN HEAD (PHILLIPS) | 4 | | | 0.002 | |
| 070 | 06311-85016 | STOEPSSEL,ABDICHTUNG | CAP,SEALING | 3 | | | 0.003 | |
| 080 | 1C020-53810 | DICHTUNG | SEAL,INJECTION PIPE | 4 | | | 0.016 | |
| 090 | 1C010-91020 | BOLZEN | BOLT | 10 | | <=2DTZ999 | 0.017 | |
| 090 | 1G911-91022 | BOLZEN | BOLT | 10 | >> | >=2DU0001 | 0.015 | |
| 100 | 15667-05050 | ENLUEFTUNGSRÖHR | ASSY PIPE,BREATH ER | 1 | | | 0.120 | |
| 110 | 15667-05510 | ENTLUEFTUNGSRÖHR | PIPE,BREATH ER | 1 | | | 0.100 | |
| 120 | 16241-33510 | ROHRBAND | BAND,PIPE | 1 | | | 0.005 | |
| 130 | 68011-51160 | KABELKLEMME | CLAMP,CORD | 1 | | | 0.008 | |
| 140 | 01774-51014 | SCHRAUBE | BOLT,FLANGE | 1 | | <=AN3526 | 0.018 | |
| 140 | 01774-51016 | SCHRAUBE | BOLT,FLANGE | 1 | >> | >=AQ0001 | 0.020 | |
| 150 | 04013-50100 | SCHEIBE | WASHER,PLAIN | 1 | | | 0.004 | |





Download the full PDF manual instantly.

Our customer service e-mail:

aservicemanualpdf@yahoo.com