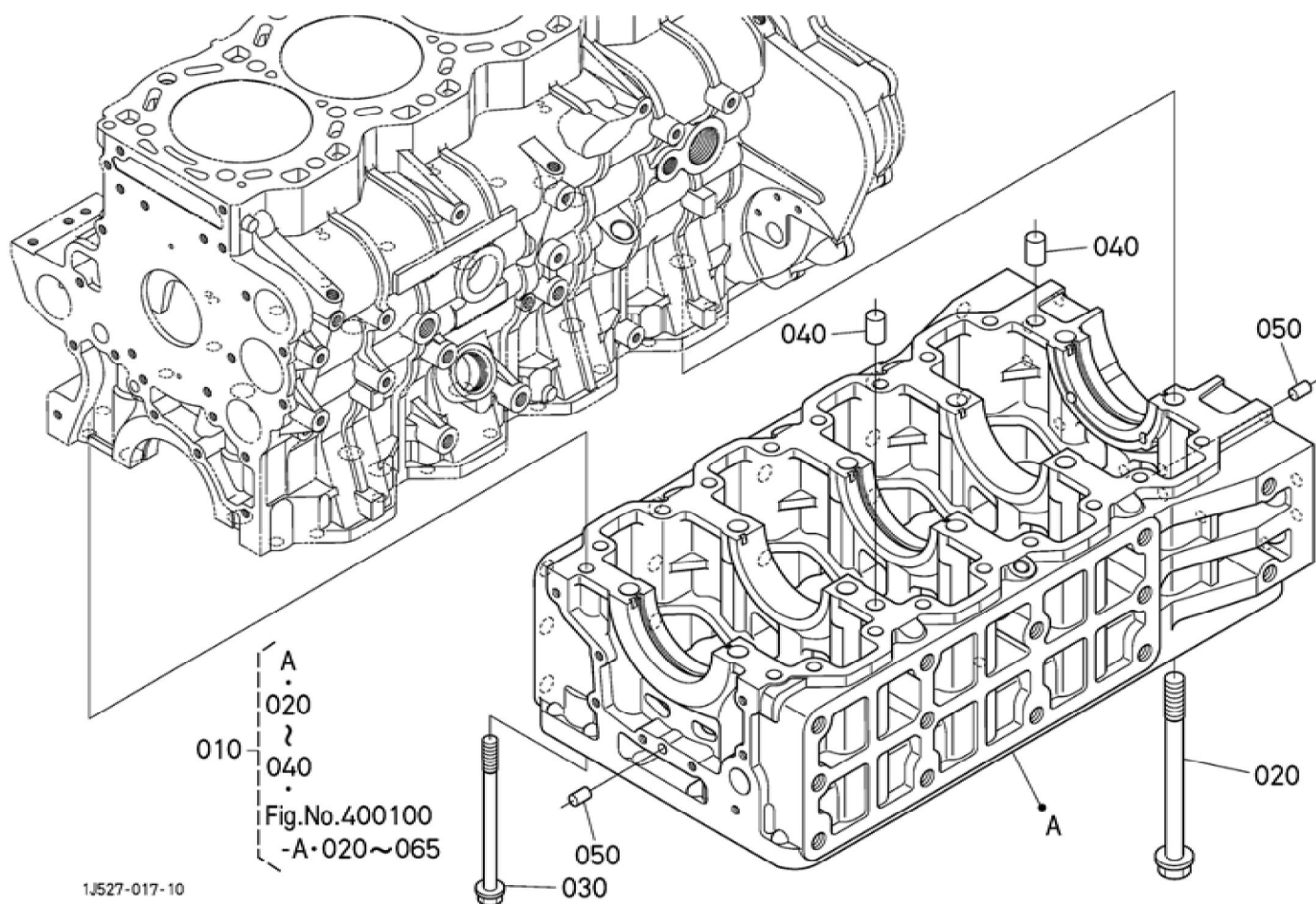


BKIDK5337 >> M7153P >> MOTOR / ENGINE >> 400100 KURBELGEHAEUSE (OBER) / CRANKCASE (UPPER)

Update Date : 2020/06/11 Print Date : 2022/04/22

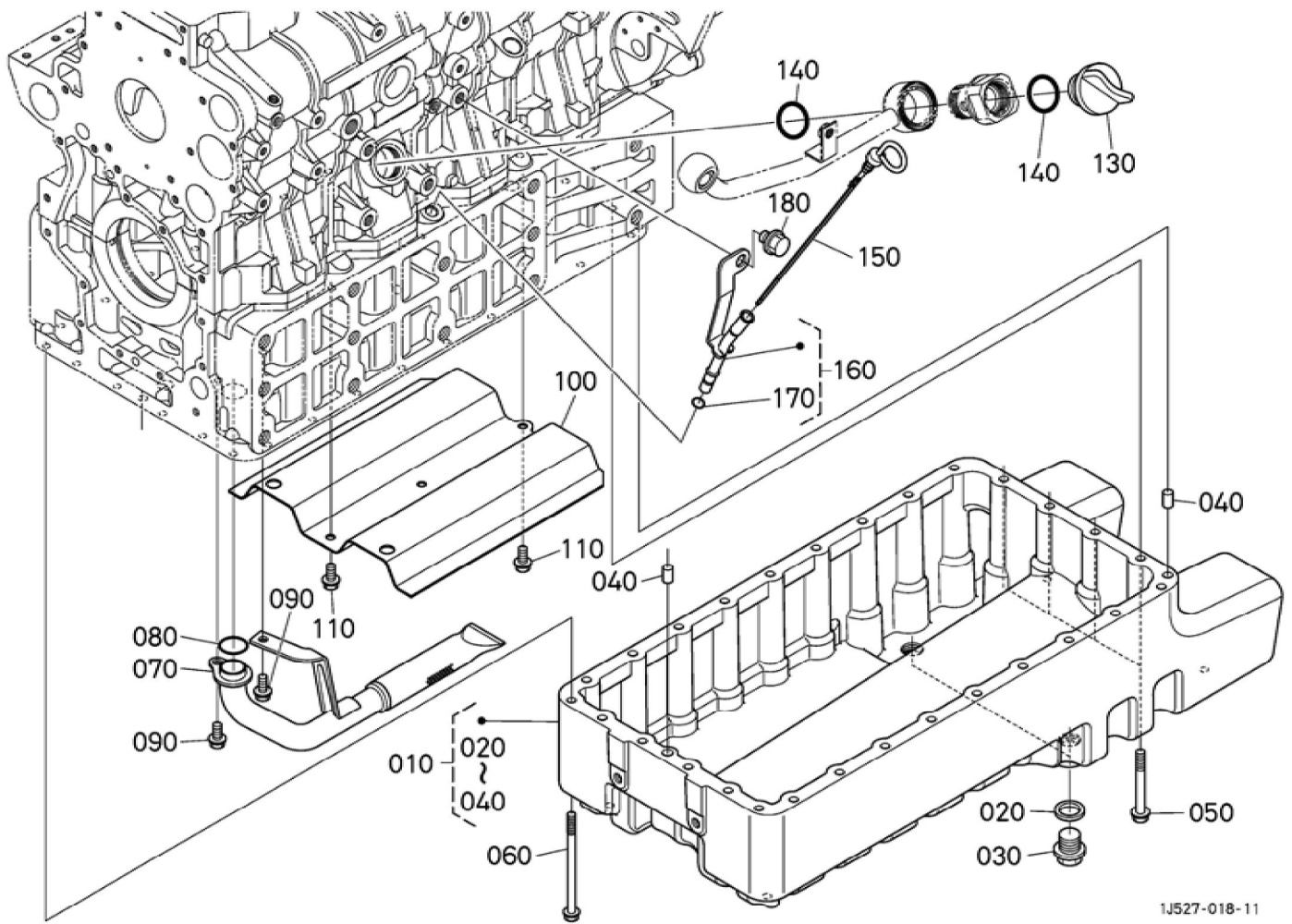
No.	Part Number	Part Name (POL)	Part Name (ENG)	QTY	IC	Serial No./PIN	Kg	Remarks
010	1G410-01035	KURBELGHA EUSE,KOMP.	CRANKCASE, ASSY	1			176.000	
020	15221-03490	STOPFEN	CAP,SEALING	8			0.020	
030	06311-55030	STOPFEN	PLUG	1			0.050	AUßER GEBRAUCH
040	04724-00170	DICHTUNGSP LATTE	GASKET	1			0.005	AUßER GEBRAUCH
050	16683-96020	STOPFEN	PLUG	1			0.088	
060	15521-96020	STOPFEN	PLUG	8			0.003	
065	1J527-96020	STECKER	PLUG(R1/8)	1			0.013	
070	05012-01016	ZYLINDERSTI FT	PIN STRAIGHT	4			0.010	
080	15451-96280	STOEPSEL,A BDICHTUNG	CAP,SEALING	6			0.026	
090	16851-96270	KAPPE	CAP,SEALING	1			0.005	
100	1G410-01570	DUESE	JET(OIL)	4			0.025	
110	01754-50620	SCHRAUBE	BOLT,FLANG E	4			0.007	
120	1C040-33212	STIFT	PIPE,OIL	1			0.025	
130	1C010-37114	ADAPTER, WASSERROH R	JOINT,WATE R PIPE	4			0.020	



Update Date : 2020/06/11 Print Date : 2022/04/22

No.	Part Number	Part Name (POL)	Part Name (ENG)	QTY	IC	Serial No./PIN	Kg	Remarks
010	1G410-01035	KURBELGHA EUSE,KOMP.	CRANKCASE, ASSY	1			176.000	
020	1G410-99000	BOLZEN	BOLT	10			0.296	
030	1G410-91010	BOLZEN	BOLT	18			0.133	
040	1C011-94510	ZYLINDERSTI FT	PIN,STRAIGH T	2			0.040	
050	05012-01016	ZYLINDERSTI FT	PIN STRAIGHT	2			0.010	

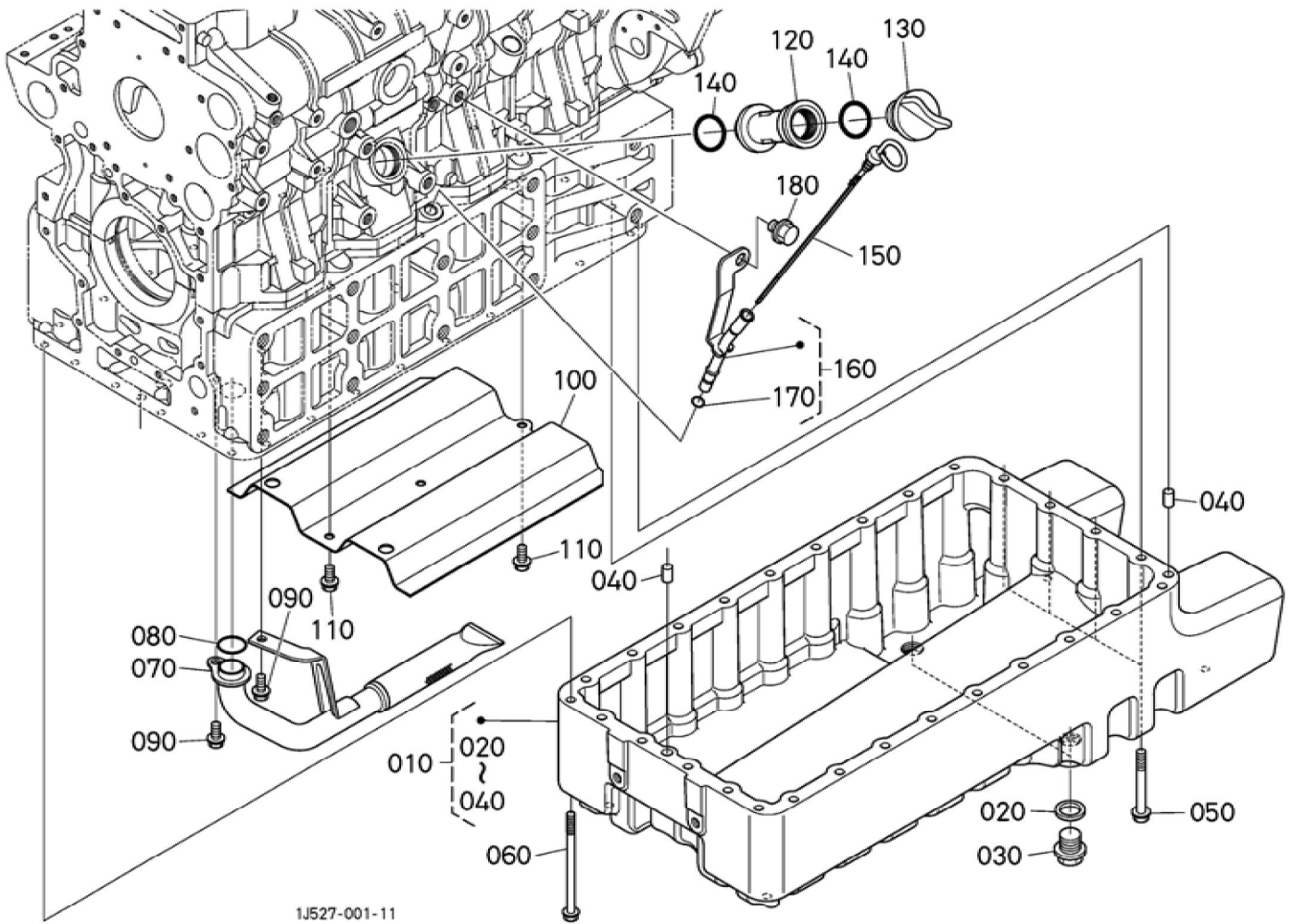
Update Date : 2020/06/11 Print Date : 2022/04/22



Update Date : 2020/06/11 Print Date : 2022/04/22

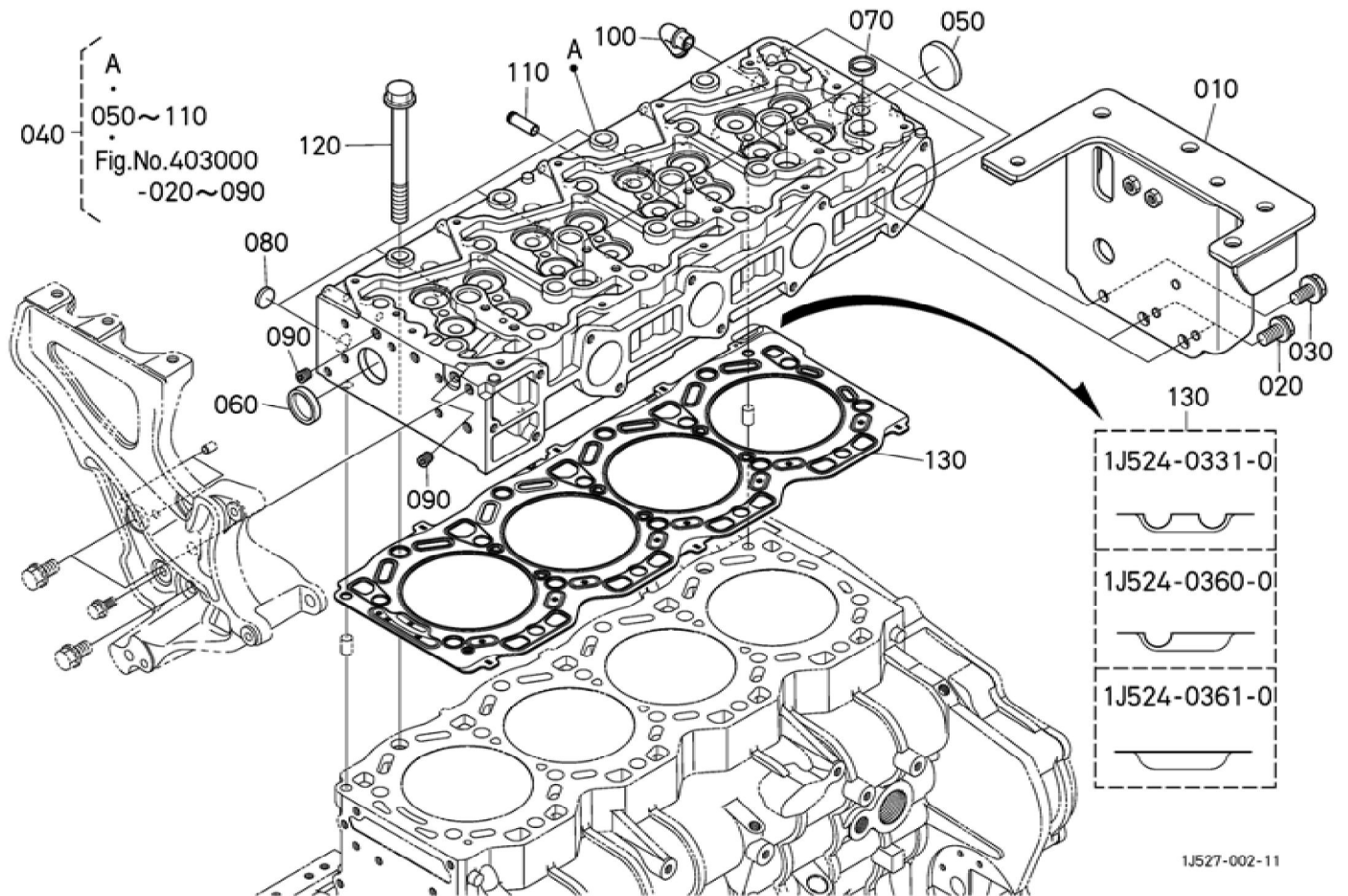
No.	Part Number	Part Name (POL)	Part Name (ENG)	QTY	IC	Serial No./PIN	Kg	Remarks
010	1J527-01590	OELWANNE,K OMP.	PAN,OIL,ASS Y	1			36.500	
020	15451-96670	DICHTUNG	PACKING	2			0.003	
030	15707-33750	ENTLEERUN GSSTOPFEN	PLUG(DRAIN)	2			0.095	
040	05012-01016	ZYLINDERSTI FT	PIN STRAIGHT	2			0.010	
050	1G772-91010	BOLZEN	BOLT,FLANG E	4			0.030	
060	1J527-91010	SCHRAUBE	BOLT,FLANG E	24			0.045	
070	1G421-32110	OELFILTER	FILTER. 1 OIL	1			0.360	
080	04814-05250	O RING	O RING	1			0.001	
090	01754-50814	SCHRAUBE	BOLT,FLANG E	2			0.012	
100	1G410-01673	STAUBLECH	PLATE,BAFFL E	1			0.820	
110	01754-50814	SCHRAUBE	BOLT,FLANG E	3			0.012	
130	E9151-33140	OELEINFUEL LSTOPFEN	PLUG(OIL FILLER)	1			0.017	
140	04817-50300	O RING	O RING	2			0.001	
150	1G410-36413	OELMESSST AB	GAUGE,OIL	1			0.028	
160	1G410-36500	GRP.FUEHRU NG	GUIDE,ASSY (OIL GAUGE)	1			0.102	
170	04814-00090	O RING	O RING	1			0.001	
180	01774-51212	SCHRAUBE	BOLT,FLANG E	1			0.028	

Update Date : 2020/06/11 Print Date : 2022/04/22



Update Date : 2020/06/11 Print Date : 2022/04/22

No.	Part Number	Part Name (POL)	Part Name (ENG)	QTY	IC	Serial No./PIN	Kg	Remarks
010	1J527-01590	OELWANNE,K OMP.	PAN,OIL,ASS Y	1			36.500	
020	15451-96670	DICHTUNG	PACKING	2			0.003	
030	15707-33750	ENTLEERUN GSSTOPFEN	PLUG(DRAIN)	2			0.095	
040	05012-01016	ZYLINDERSTI FT	PIN STRAIGHT	2			0.010	
050	1G772-91010	BOLZEN	BOLT,FLANG E	4			0.030	
060	1J527-91010	SCHRAUBE	BOLT,FLANG E	24			0.045	
070	1G421-32110	OELFILTER	FILTER. 1 OIL	1			0.360	
080	04814-05250	O RING	O RING	1			0.001	
090	01754-50814	SCHRAUBE	BOLT,FLANG E	2			0.012	
100	1G410-01673	STAUBLECH	PLATE,BAFFL E	1			0.820	
110	01754-50814	SCHRAUBE	BOLT,FLANG E	3			0.012	
120	15951-33113	OELFILTERFL ANSCH	FLANGE,OIL FILLER	1			0.130	
130	E9151-33140	OELEINFUEL LSTOPFEN	PLUG(OIL FILLER)	1			0.017	
140	04817-50300	O RING	O RING	2			0.001	
150	1G410-36413	OELMESSST AB	GAUGE,OIL	1			0.028	
160	1G410-36500	GRP.FUEHRU NG	GUIDE,ASSY (OIL GAUGE)	1			0.102	
170	04814-00090	O RING	O RING	1			0.001	
180	01774-51212	SCHRAUBE	BOLT,FLANG E	1			0.028	





Download the full PDF manual instantly.

Our customer service e-mail:

aservicemanualpdf@yahoo.com